



US00D786037S

(12) **United States Design Patent** (10) **Patent No.:** **US D786,037 S**
Huesman et al. (45) **Date of Patent:** **** May 9, 2017**

- (54) **SNIP** 5,058,277 A 10/1991 Kishimoto
D322,546 S 12/1991 Chan
(71) Applicant: **Fiskars Brands, Inc.**, Madison, WI D331,691 S 12/1992 Chan
(US) D335,807 S 5/1993 Birkholz
(72) Inventors: **Alexander J. Huesman**, Madison, WI D336,222 S 6/1993 Wensley et al.
(US); **Colin Roberts**, Madison, WI D336,412 S 6/1993 Wensley et al.
(US) D339,725 S 9/1993 Birkholz
5,243,762 A 9/1993 Orthey
(73) Assignee: **Fiskars Brands, Inc.**, Middleton, WI D342,652 S 12/1993 Wensley et al.
(US) D344,218 S 2/1994 Wensley et al.
D344,219 S 2/1994 Wensley et al.
D344,220 S 2/1994 Wensley et al.
D350,466 S 9/1994 Ramsey et al.

(Continued)

(**) Term: **15 Years**

(21) Appl. No.: **29/550,547**

(22) Filed: **Jan. 5, 2016**

(51) **LOC (10) Cl.** **08-05**

(52) **U.S. Cl.**
USPC **D8/52; D8/57**

(58) **Field of Classification Search**
USPC D8/4, 5, 51-58
CPC B26B 13/00; B26B 13/06; B26B 13/12;
B26B 13/22; B26B 13/24; B26B 17/00
See application file for complete search history.

(56) **References Cited**

U.S. PATENT DOCUMENTS

- 777,412 A 12/1904 Hamel et al.
907,064 A 12/1908 Litzelman
D47,855 S 9/1915 Martin
D169,114 S 3/1953 Thober
D301,537 S 6/1989 Pittaway
D301,538 S 6/1989 Pittaway
D305,090 S 12/1989 Collins et al.
D305,495 S 1/1990 Carter
D307,696 S 5/1990 Ishida et al.
4,947,553 A 8/1990 Bendickson et al.
4,964,216 A 10/1990 Gosselin
5,020,222 A 6/1991 Gosselin et al.

OTHER PUBLICATIONS

U.S. Appl. No. 29/548,479, filed Dec. 14, 2015, Roberts et al.

Primary Examiner — Deanna L Pratt

(74) *Attorney, Agent, or Firm* — Foley & Lardner LLP

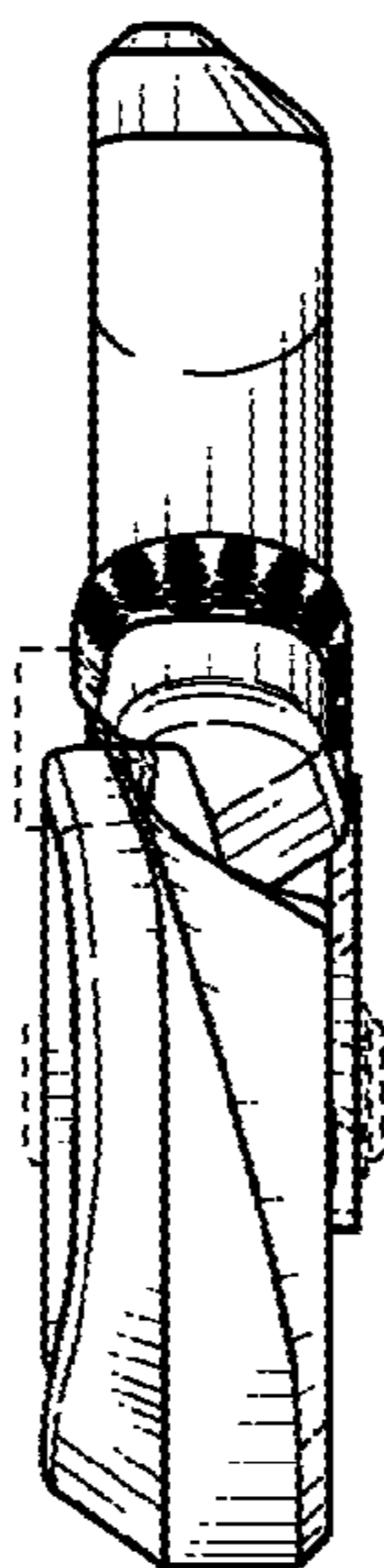
(57) **CLAIM**

We claim the ornamental design for a snip, as shown and described.

DESCRIPTION

FIG. 1 is a front perspective view from above of the claimed design according to one embodiment;
FIG. 2 is a left side view of the claimed design of FIG. 1;
FIG. 3 is a right side view of the claimed design of FIG. 1;
FIG. 4 is a rear side view of the claimed design of FIG. 1;
FIG. 5 is a front side view of the claimed design of FIG. 1;
FIG. 6 is a top view of the claimed design of FIG. 1; and,
FIG. 7 is a bottom view of the claimed design of FIG. 1.
Any portion of the article depicted in broken lines forms no part of the claimed design. Broken lines formed by equal length dashes show unclaimed portions of the design.

1 Claim, 5 Drawing Sheets



(56)

References Cited

U.S. PATENT DOCUMENTS

D353,087 S 12/1994 Ramsey et al.
 D354,205 S 1/1995 Wensley et al.
 D354,890 S 1/1995 Concari et al.
 D358,748 S 5/1995 Ramsey et al.
 D359,427 S 6/1995 Birkholz
 5,426,857 A 6/1995 Linden
 D359,890 S 7/1995 Wensley
 D361,700 S 8/1995 Birkholz
 D362,162 S 9/1995 Wensley
 5,469,625 A 11/1995 Melter et al.
 D369,531 S 5/1996 Birkholz
 5,570,510 A 11/1996 Linden
 D377,588 S 1/1997 Birkholz
 5,636,443 A 6/1997 Linden
 D387,647 S 12/1997 Linden
 5,697,159 A 12/1997 Linden
 D393,193 S 4/1998 Schneider et al.
 5,765,289 A 6/1998 Schulz et al.
 D413,503 S 9/1999 Dugdale
 D416,456 S 11/1999 Pomeroy
 D426,447 S 6/2000 Chau
 D427,491 S 7/2000 Deville
 D427,493 S 7/2000 Wu
 6,105,257 A 8/2000 Rutkowski et al.
 D434,285 S 11/2000 Podlesny
 D437,197 S * 2/2001 Ohno D8/57
 6,223,372 B1 5/2001 Barber
 D453,458 S 2/2002 Huang
 D460,333 S * 7/2002 Carpenter D8/57
 D464,539 S 10/2002 Richwine et al.
 6,493,943 B1 12/2002 Linden
 D469,323 S 1/2003 Linden
 D470,732 S 2/2003 Wu
 6,513,248 B2 2/2003 Linden et al.
 D472,433 S 4/2003 Richwine et al.
 6,643,937 B1 11/2003 Wu
 D483,239 S * 12/2003 Sprouse D8/57
 D484,761 S * 1/2004 Levine D8/57
 D491,775 S 6/2004 Tomchak et al.
 D494,032 S 8/2004 Rivera
 6,789,324 B2 9/2004 Linden et al.
 D499,316 S 12/2004 Tatic
 D499,317 S 12/2004 Tatic
 D499,621 S 12/2004 Tsuda
 D501,378 S 2/2005 Tatic
 D501,379 S 2/2005 Lipscomb et al.
 6,859,828 B1 2/2005 Morgan et al.
 D503,324 S 3/2005 Carlson et al.
 D503,595 S 4/2005 Lipscomb et al.
 D503,880 S 4/2005 McLean
 6,938,347 B2 9/2005 Linden et al.
 7,111,349 B2 9/2006 Goldberg

D534,563 S 1/2007 Yip
 D536,940 S 2/2007 Peterson et al.
 D537,311 S 2/2007 Peterson et al.
 D546,646 S 7/2007 Shan
 D547,139 S 7/2007 Shan
 D547,140 S 7/2007 Shan
 D547,141 S 7/2007 Shan
 D547,629 S 7/2007 Beckwith
 D549,335 S 8/2007 Junck
 D553,928 S 10/2007 Zhou
 D555,442 S 11/2007 Kaposi
 D557,086 S 12/2007 Lipscomb et al.
 D557,096 S * 12/2007 Wu D8/5
 D564,320 S 3/2008 Zhou
 D570,167 S 6/2008 Kaposi
 D576,011 S 9/2008 Lipscomb et al.
 D576,486 S 9/2008 Koza
 D579,745 S 11/2008 Huang
 D580,235 S 11/2008 Wu
 D580,236 S 11/2008 Wu
 D582,733 S 12/2008 Davies et al.
 D584,122 S * 1/2009 Caroca D8/57
 D585,251 S 1/2009 Lee et al.
 D595,548 S 7/2009 Lipscomb et al.
 D600,092 S 9/2009 Peterson et al.
 D607,702 S 1/2010 Wu
 D611,793 S * 3/2010 Trewartha D8/5
 D618,078 S 6/2010 Cripps et al.
 D619,434 S 7/2010 Goetz et al.
 D623,917 S * 9/2010 Goetz D8/57
 D628,031 S 11/2010 Stokes et al.
 D628,032 S 11/2010 Stokes et al.
 D630,067 S 1/2011 Block et al.
 D631,322 S 1/2011 Wong
 D640,106 S * 6/2011 Molina D8/5
 D642,032 S * 7/2011 Molina D8/5
 D642,035 S * 7/2011 Molina D8/5
 D649,420 S * 11/2011 Cunningham D8/5
 D651,493 S * 1/2012 Bhasin D8/57
 D655,990 S 3/2012 Block et al.
 8,726,522 B2 * 5/2014 Lin B26B 13/00
 30/232
 8,739,415 B2 6/2014 Seber et al.
 D718,590 S 12/2014 Roberts et al.
 9,216,512 B2 * 12/2015 Kawai B26B 13/20
 9,346,178 B2 5/2016 Tsai
 D775,918 S 1/2017 Lee
 2003/0079576 A1 5/2003 Lo
 2003/0126747 A1 7/2003 Kusaba
 2008/0295339 A1 12/2008 Lipscomb et al.
 2008/0295341 A1 12/2008 Lipscomb et al.
 2009/0172954 A1 7/2009 Novak et al.
 2014/0360024 A1 12/2014 Schneider
 2016/0185000 A1 6/2016 Huang

* cited by examiner

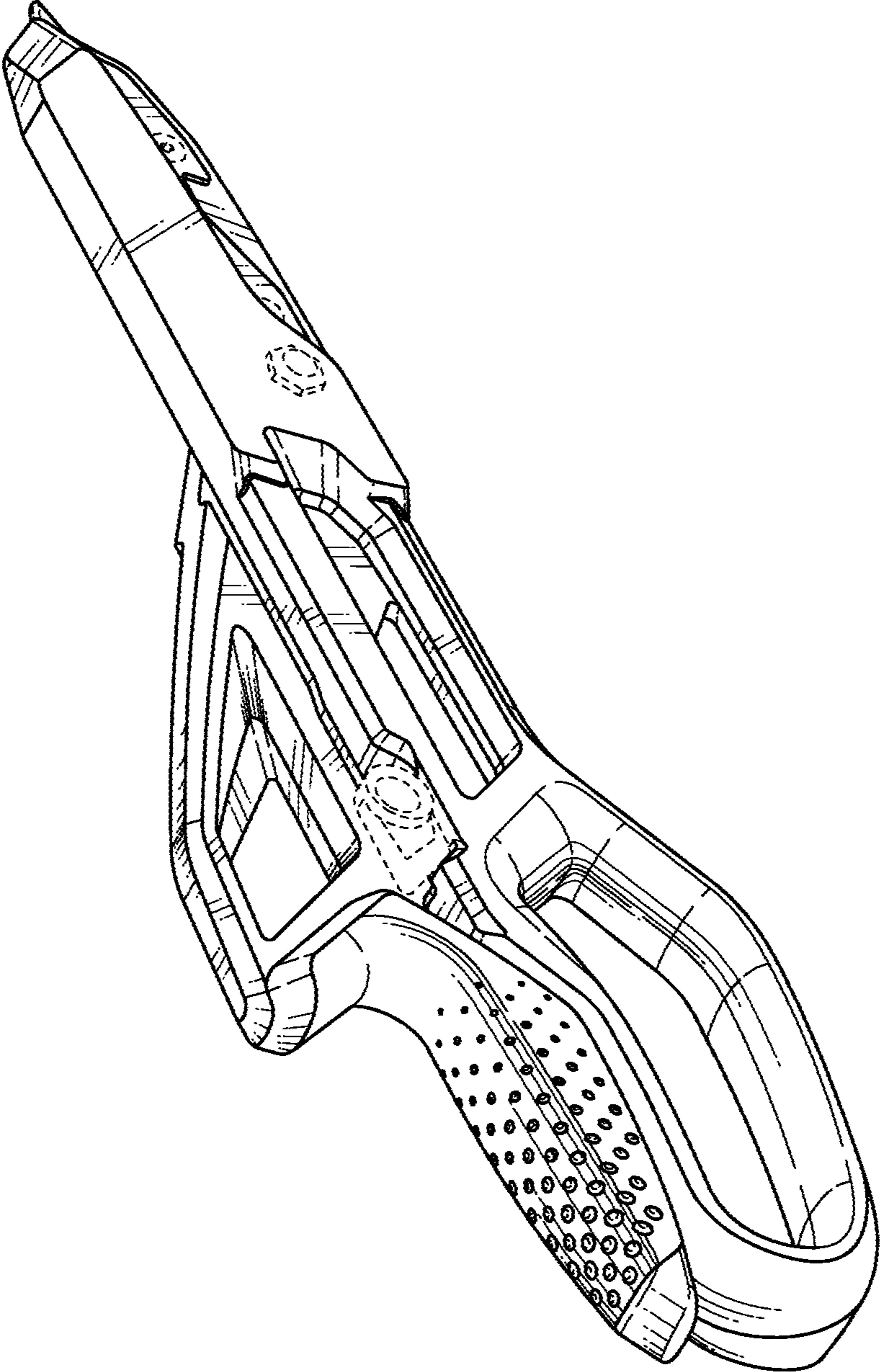


FIG. 1

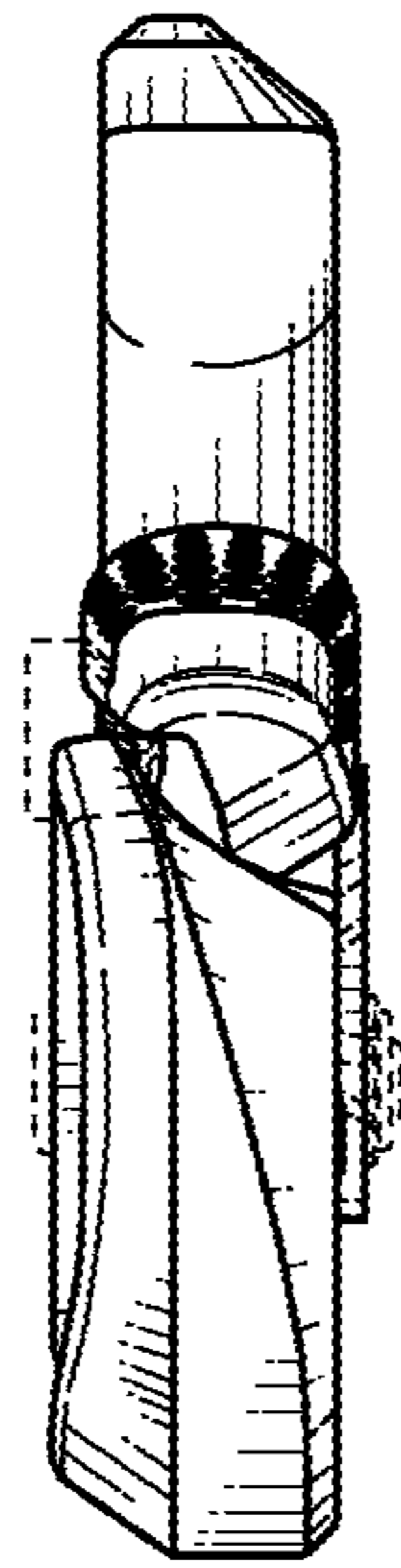


FIG. 2



FIG. 3

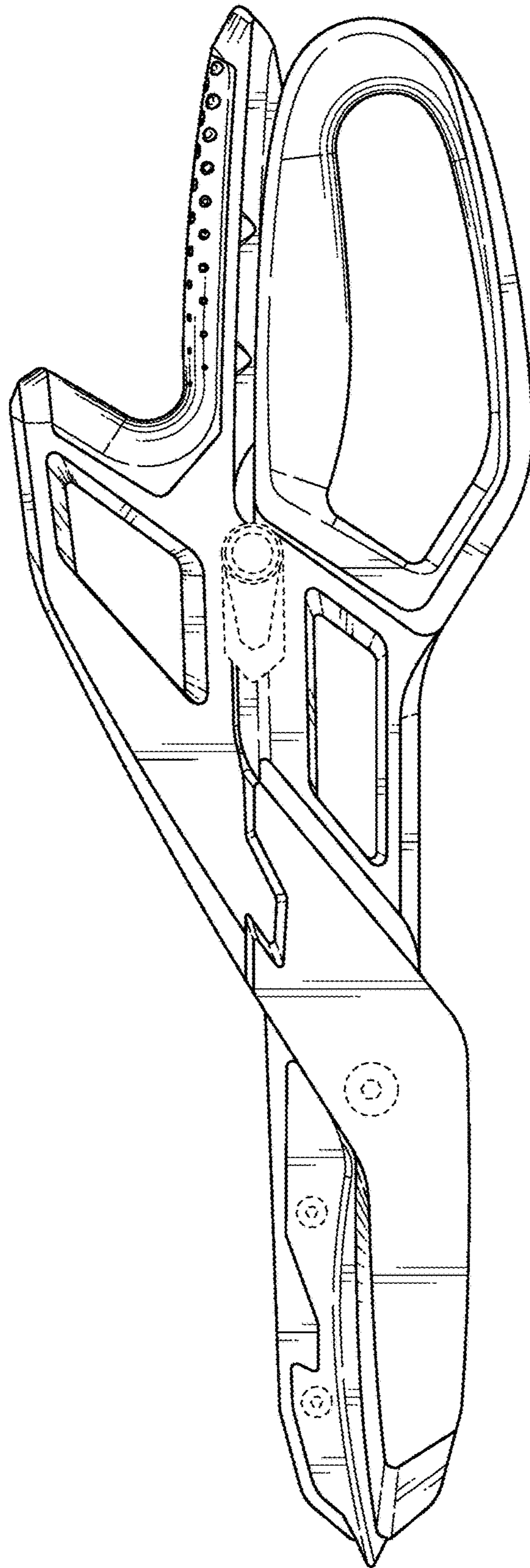


FIG. 4

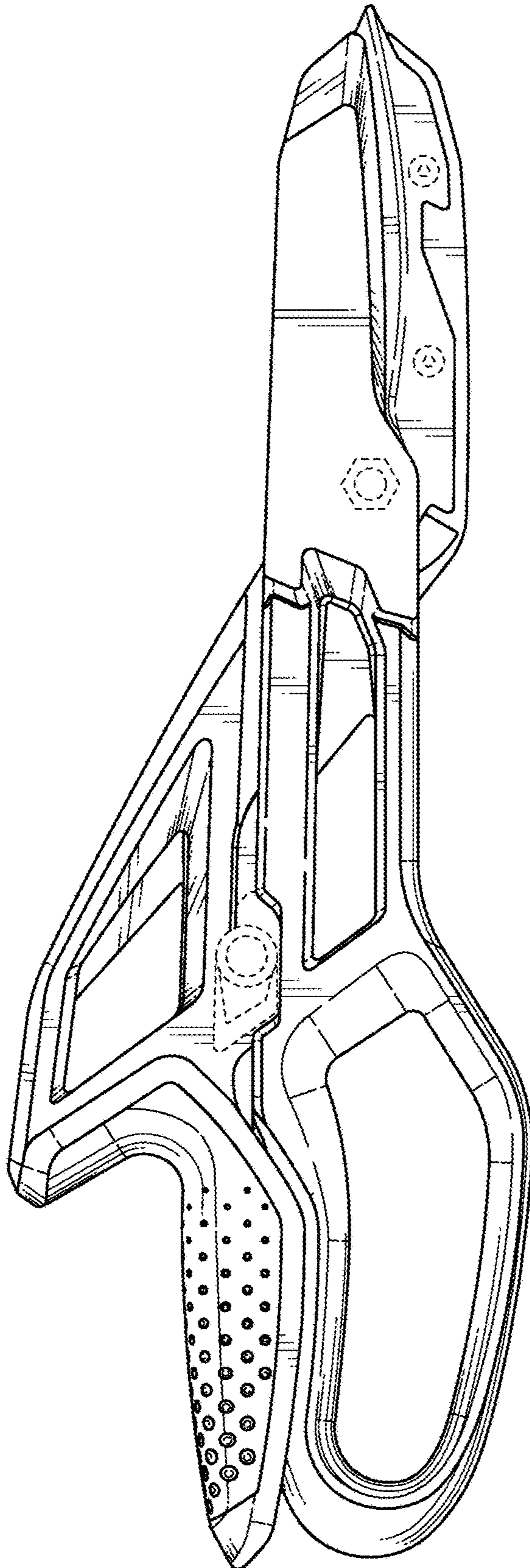


FIG. 5

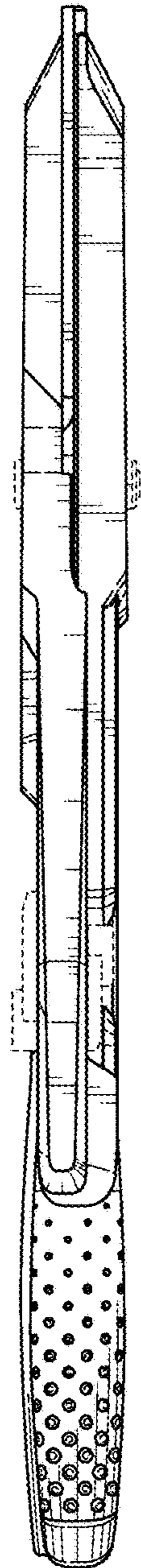


FIG. 6

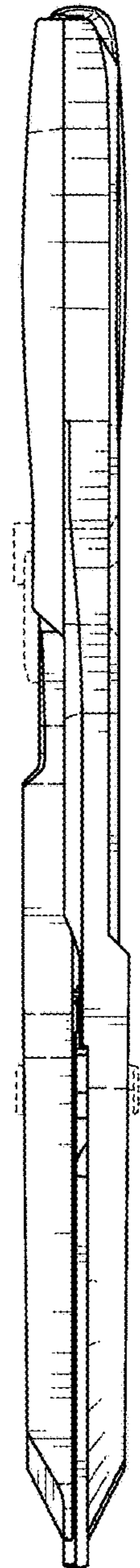


FIG. 7