



US00D786036S

(12) **United States Design Patent**  
**Roberts et al.**

(10) **Patent No.:** **US D786,036 S**

(45) **Date of Patent:** **\*\* May 9, 2017**

- (54) **SNIP**
- (71) Applicant: **Fiskars Brands, Inc.**, Madison, WI (US)
- (72) Inventors: **Colin Roberts**, Madison, WI (US);  
**Jens Housley**, Stoughton, WI (US)
- (73) Assignee: **Fiskars Brands, Inc.**, Middleton, WI (US)
- (\*\*) Term: **15 Years**
- (21) Appl. No.: **29/548,479**
- (22) Filed: **Dec. 14, 2015**
- (51) **LOC (10) Cl.** ..... **08-05**
- (52) **U.S. Cl.**  
USPC ..... **D8/52; D8/57**
- (58) **Field of Classification Search**  
USPC ..... D8/4, 5, 51-58  
CPC ..... B26B 13/00; B26B 13/06; B26B 13/12;  
B26B 13/22; B26B 13/24; B26B 17/00  
See application file for complete search history.

- 5,058,277 A 10/1991 Kishimoto
- D322,546 S 12/1991 Chan
- D331,691 S 12/1992 Chan
- D335,807 S 5/1993 Birkholz
- D336,222 S 6/1993 Wensley et al.
- D336,412 S 6/1993 Wensley et al.
- D339,725 S 9/1993 Birkholz
- 5,243,762 A 9/1993 Orthey
- D342,652 S 12/1993 Wensley et al.
- D344,218 S 2/1994 Wensley et al.
- D344,219 S 2/1994 Wensley et al.
- D344,220 S 2/1994 Wensley et al.
- D350,466 S 9/1994 Ramsey et al.
- D353,087 S 12/1994 Ramsey et al.
- D354,205 S 1/1995 Wensley et al.
- D354,890 S 1/1995 Concari et al.
- D358,748 S 5/1995 Ramsey et al.

(Continued)

*Primary Examiner* — Deanna L Pratt

(74) *Attorney, Agent, or Firm* — Foley & Lardner LLP

(57) **CLAIM**

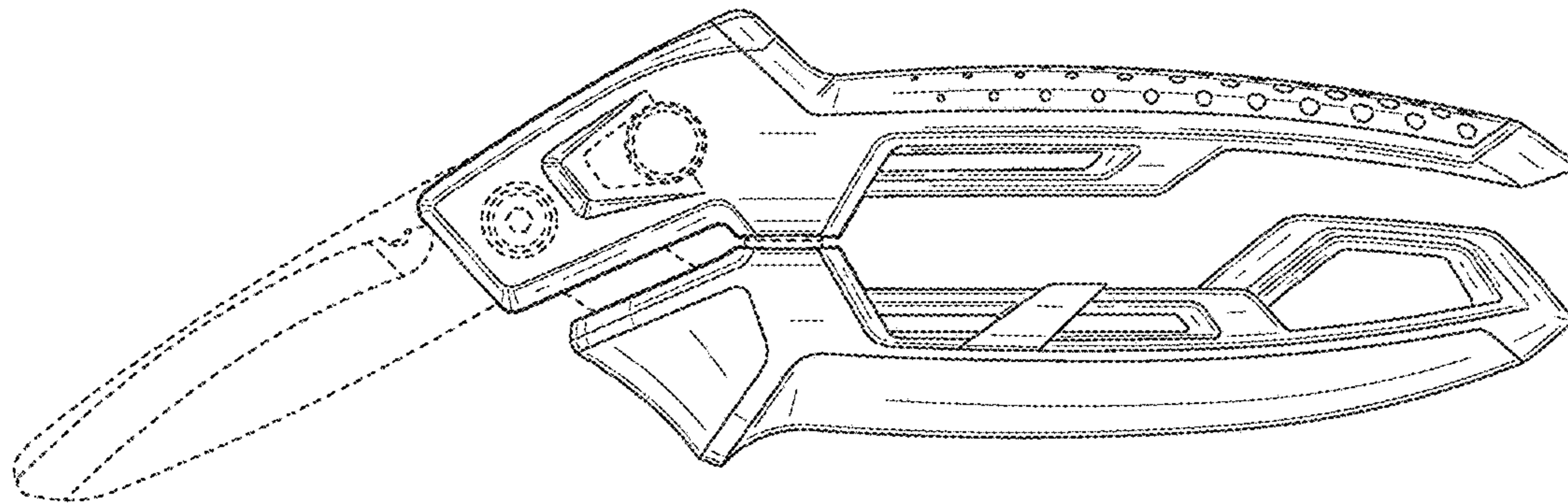
We claim the ornamental design for a snip, as shown and described.

**DESCRIPTION**

FIG. 1 is a front perspective view from above of the claimed design according to one embodiment;  
 FIG. 2 is a front side view of the claimed design of FIG. 1;  
 FIG. 3 is a rear side view of the claimed design of FIG. 1;  
 FIG. 4 is a top view of the claimed design of FIG. 1;  
 FIG. 5 is a bottom view of the claimed design of FIG. 1;  
 FIG. 6 is a left side view of the claimed design of FIG. 1;  
 and,  
 FIG. 7 is a right side view of the claimed design of FIG. 1.  
 Any portion of the article depicted in broken lines forms no part of the claimed design. Broken lines formed by equal length dashes show unclaimed portions of the design.

**1 Claim, 5 Drawing Sheets**

- (56) **References Cited**  
U.S. PATENT DOCUMENTS
- 777,412 A 12/1904 Hamel et al.
- 907,064 A 12/1908 Litzelman
- D47,855 S 9/1915 Martin
- D169,114 S 3/1953 Thober
- D301,537 S 6/1989 Pittaway
- D301,538 S 6/1989 Pittaway
- D305,090 S 12/1989 Collins et al.
- D305,495 S 1/1990 Carter
- D307,696 S 5/1990 Ishida et al.
- 4,947,553 A 8/1990 Bendickson et al.
- 4,964,216 A 10/1990 Gosselin
- 5,020,222 A 6/1991 Gosselin et al.



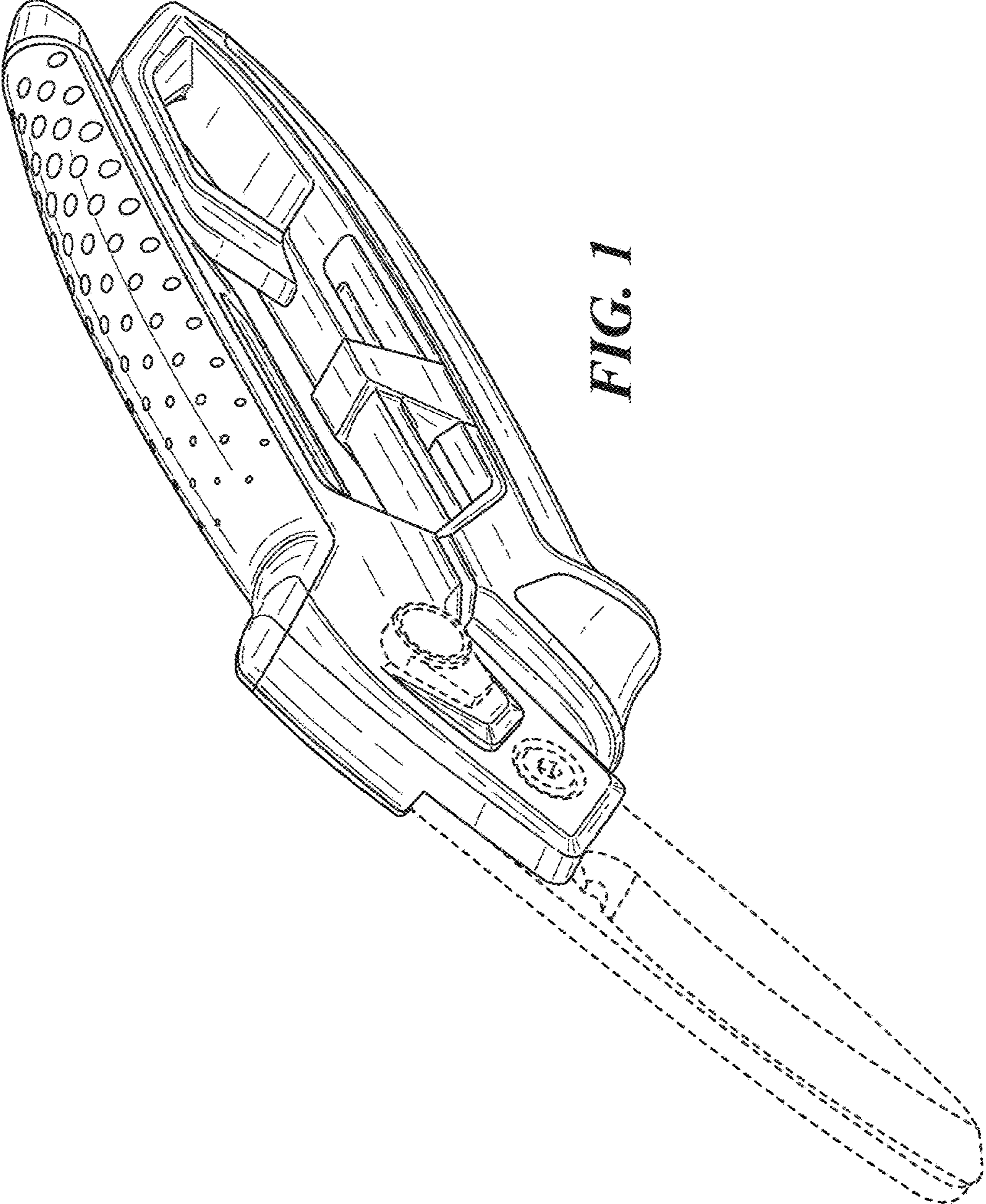
(56)

References Cited

U.S. PATENT DOCUMENTS

D359,427 S	6/1995	Birkholz	D537,311 S	2/2007	Peterson et al.
5,426,857 A	6/1995	Linden	D546,646 S	7/2007	Shan
D359,890 S	7/1995	Wensley	D547,139 S	7/2007	Shan
D361,700 S	8/1995	Birkholz	D547,140 S	7/2007	Shan
D362,162 S	9/1995	Wensley	D547,141 S	7/2007	Shan
5,469,625 A	11/1995	Melter et al.	D547,629 S	7/2007	Beckwith
D369,531 S	5/1996	Birkholz	D549,335 S	8/2007	Junck
5,570,510 A	11/1996	Linden	D553,928 S	10/2007	Zhou
D377,588 S	1/1997	Birkholz	D555,442 S	11/2007	Kaposi
5,636,443 A	6/1997	Linden	D557,086 S	12/2007	Lipscomb et al.
D387,647 S	12/1997	Linden	D557,096 S *	12/2007	Wu ..... D8/5
5,697,159 A	12/1997	Linden	D564,320 S	3/2008	Zhou
D393,193 S	4/1998	Schneider et al.	D570,167 S	6/2008	Kaposi
5,765,289 A	6/1998	Schulz et al.	D576,011 S	9/2008	Lipscomb et al.
D413,503 S	9/1999	Dugdale	D576,486 S	9/2008	Koza
D416,456 S	11/1999	Pomeroy	D579,745 S	11/2008	Huang
D426,447 S	6/2000	Chau	D580,235 S	11/2008	Wu
D427,491 S	7/2000	Deville	D580,236 S	11/2008	Wu
D427,493 S	7/2000	Wu	D582,733 S	12/2008	Davies et al.
6,105,257 A	8/2000	Rutkowski et al.	D584,122 S	1/2009	Caroca
D434,285 S	11/2000	Podlesny	D585,251 S	1/2009	Lee et al.
D437,197 S *	2/2001	Ohno ..... D8/57	D595,548 S	7/2009	Lipscomb et al.
6,223,372 B1	5/2001	Barber	D600,092 S	9/2009	Peterson et al.
D453,458 S	2/2002	Huang	D607,702 S	1/2010	Wu
D460,333 S	7/2002	Carpenter et al.	D611,793 S	3/2010	Trevartha et al.
D464,539 S	10/2002	Richwine et al.	D618,078 S	6/2010	Cripps et al.
6,493,943 B1	12/2002	Linden	D619,434 S	7/2010	Goetz et al.
D469,323 S	1/2003	Linden	D623,917 S	9/2010	Goetz et al.
D470,732 S	2/2003	Wu	D628,031 S	11/2010	Stokes et al.
6,513,248 B2	2/2003	Linden et al.	D628,032 S	11/2010	Stokes et al.
D472,433 S	4/2003	Richwine et al.	D630,067 S	1/2011	Block et al.
6,643,937 B1	11/2003	Wu	D631,322 S	1/2011	Wong
D483,239 S	12/2003	Sprouse	D640,106 S	6/2011	Molina et al.
D484,761 S	1/2004	Levine et al.	D642,032 S	7/2011	Molina et al.
D491,775 S	6/2004	Tomchak et al.	D642,035 S	7/2011	Molina et al.
D494,032 S	8/2004	Rivera	D649,420 S *	11/2011	Cunningham ..... D8/5
6,789,324 B2	9/2004	Linden et al.	D651,493 S	1/2012	Bhasin
D499,316 S	12/2004	Tatic	D655,990 S	3/2012	Block et al.
D499,317 S	12/2004	Tatic	8,726,522 B2	5/2014	Lin
D499,621 S	12/2004	Tsuda	8,739,415 B2 *	6/2014	Seber ..... B23D 29/026 30/244
D501,378 S	2/2005	Tatic	D718,590 S *	12/2014	Roberts ..... D8/57
D501,379 S	2/2005	Lipscomb et al.	9,216,512 B2 *	12/2015	Kawai ..... B26B 13/20
6,859,828 B1	2/2005	Morgen et al.	9,346,178 B2	5/2016	Tsai
D503,324 S	3/2005	Carlson et al.	D775,918 S *	1/2017	Lee ..... D8/57
D503,595 S	4/2005	Lipscomb et al.	2003/0079576 A1	5/2003	Lo
D503,880 S	4/2005	McLean	2003/0126747 A1	7/2003	Kusaba
6,938,347 B2	9/2005	Linden et al.	2008/0295339 A1	12/2008	Lipscomb et al.
7,111,349 B2	9/2006	Goldberg	2008/0295341 A1	12/2008	Lipscomb et al.
D534,563 S	1/2007	Yip	2009/0172954 A1	7/2009	Novak et al.
D536,940 S	2/2007	Peterson et al.	2014/0360024 A1	12/2014	Schneider
			2016/0185000 A1	6/2016	Huang

\* cited by examiner



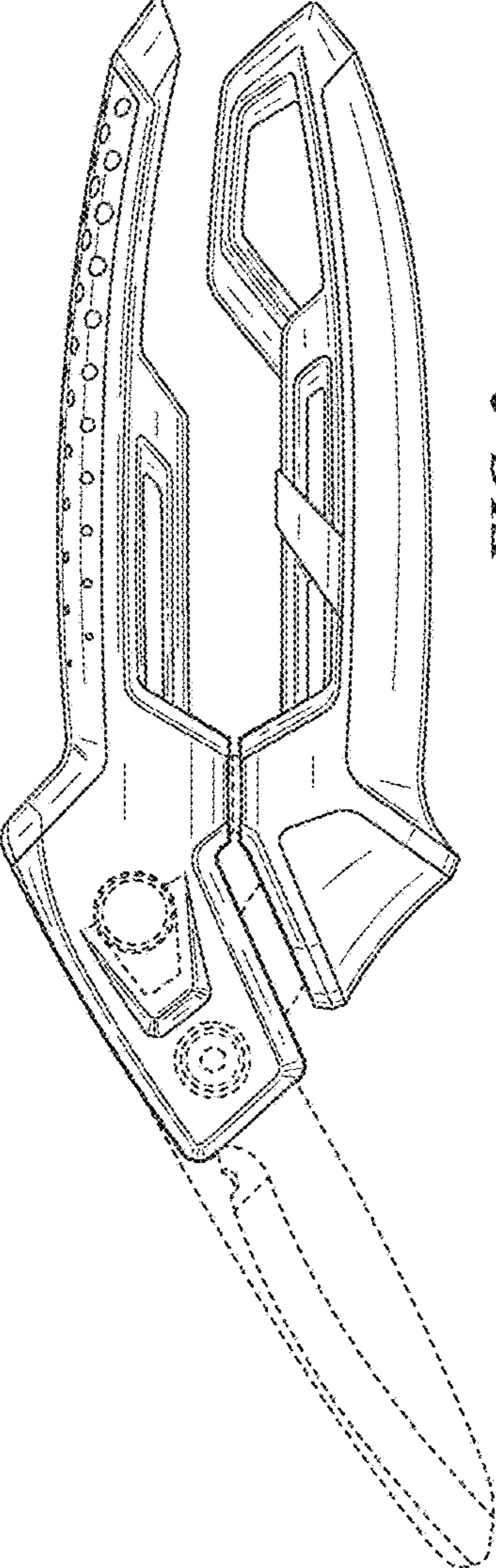
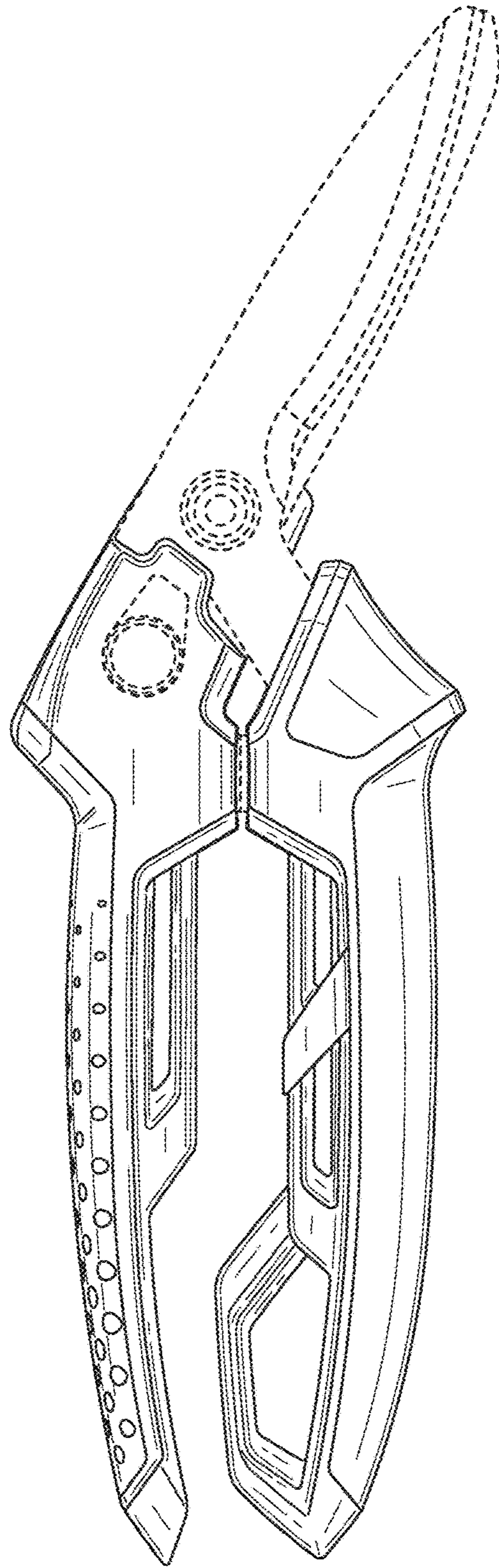
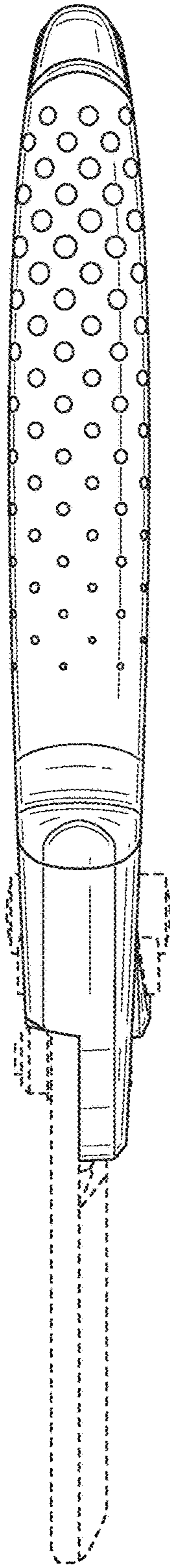


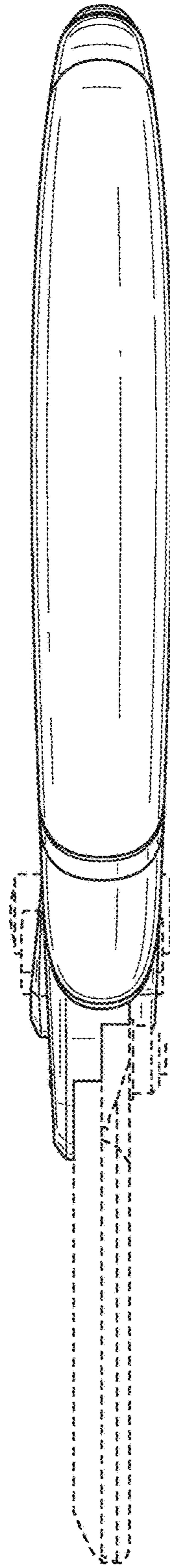
FIG. 2



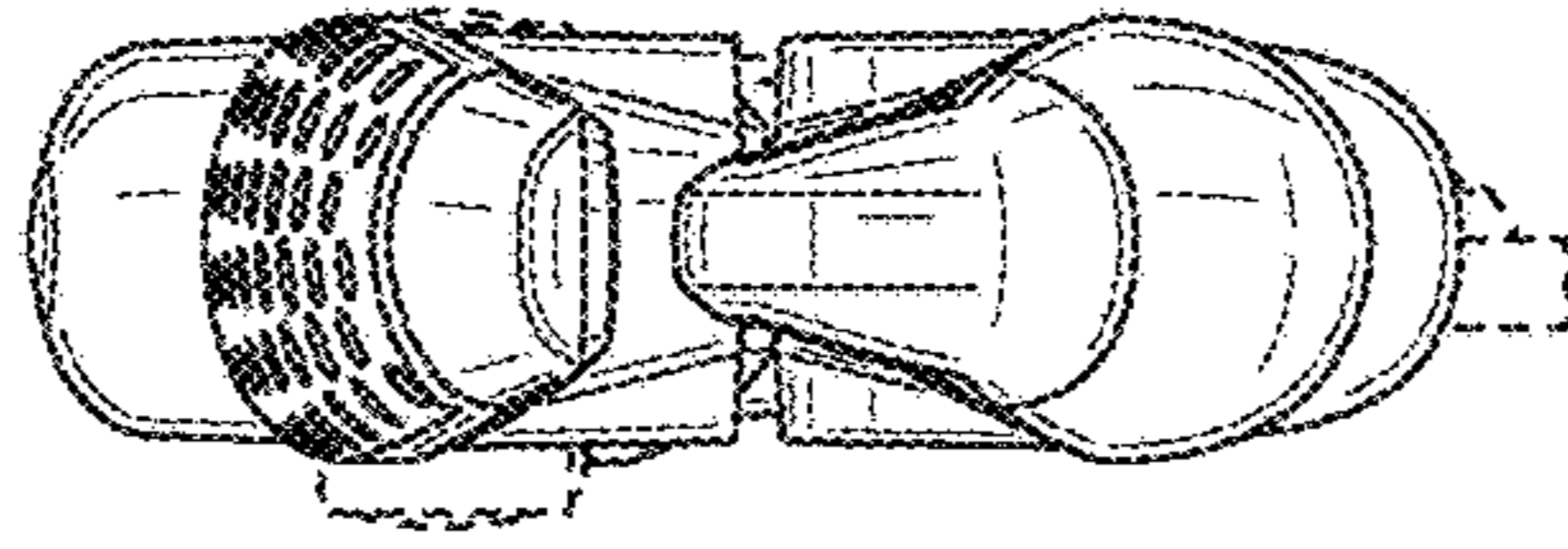
**FIG. 3**



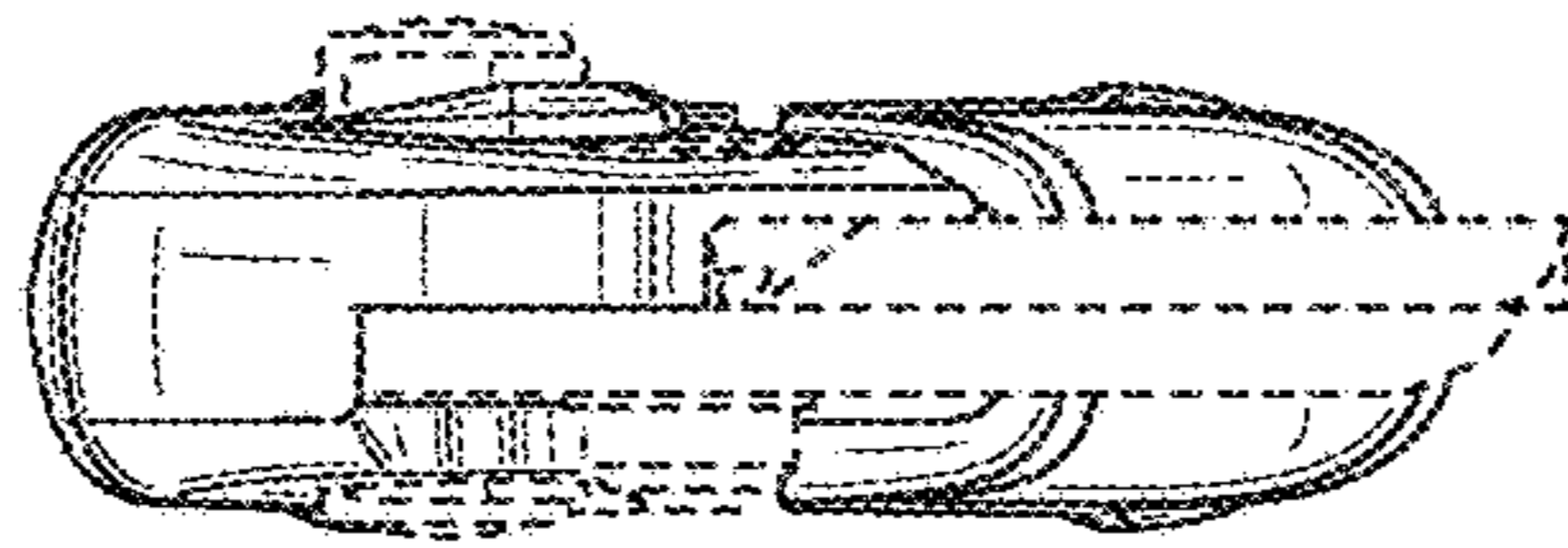
**FIG. 4**



**FIG. 5**



**FIG. 7**



**FIG. 6**