



US00D786035S

(12) **United States Design Patent**
Kuo

(10) **Patent No.:** **US D786,035 S**

(45) **Date of Patent:** **** May 9, 2017**

(54) **STAPLER**

(71) Applicant: **Yu-Ying Kuo**, Taichung (TW)

(72) Inventor: **Yu-Ying Kuo**, Taichung (TW)

(**) Term: **15 Years**

(21) Appl. No.: **29/564,789**

(22) Filed: **May 16, 2016**

(30) **Foreign Application Priority Data**

Jan. 26, 2016 (TW) 105300381

(51) **LOC (10) Cl.** **19-02**

(52) **U.S. Cl.**
USPC **D8/50**

(58) **Field of Classification Search**

USPC D8/48, 49, 50, 61, 68, 69, 70; D19/72,
D19/73, 65, 69; D21/532; D24/145;
7/158, 160; 227/4, 5, 6, 7, 8, 120, 127,
227/128, 131, 132, 134, 144, 156, 175.1;
606/139, 143, 153, 219
CPC B25C 5/0242; B25C 5/0285; B25C 5/11;
B27F 5/17; B26F 1/36
See application file for complete search history.

(56) **References Cited**

U.S. PATENT DOCUMENTS

D479,678 S * 9/2003 Huang D8/50
D514,905 S * 2/2006 Bhavnani D8/48

D528,885 S * 9/2006 Tsai D8/50
D567,609 S * 4/2008 Sudmalis D8/50
D579,293 S * 10/2008 Irago D8/50
D587,976 S * 3/2009 Cunningham D8/50
D589,314 S * 3/2009 Irago D8/50
D617,164 S * 6/2010 Leung D8/50
D740,632 S * 10/2015 Monteleone D8/50

* cited by examiner

Primary Examiner — Austin Murphy

(74) *Attorney, Agent, or Firm* — LeClairRyan

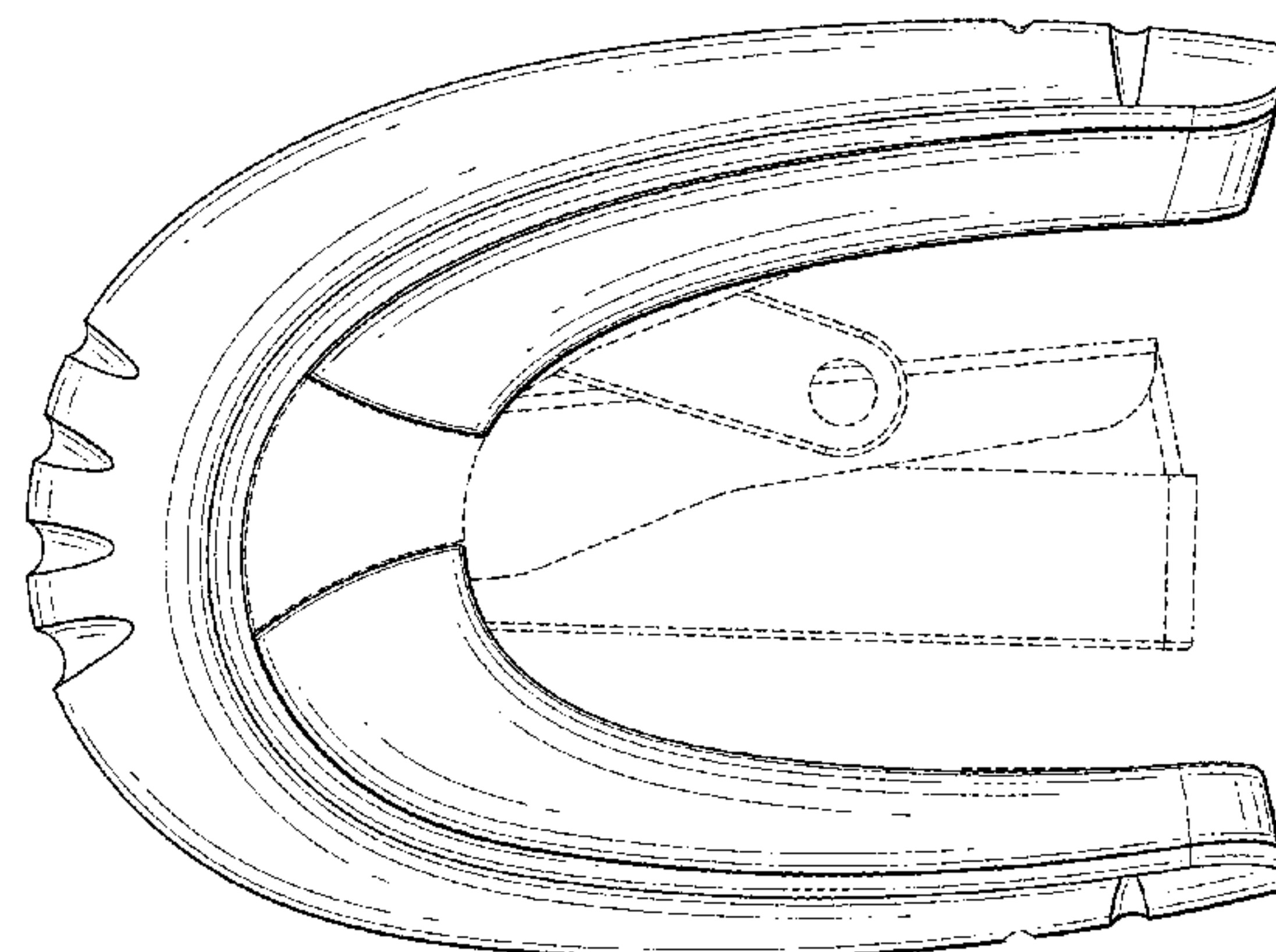
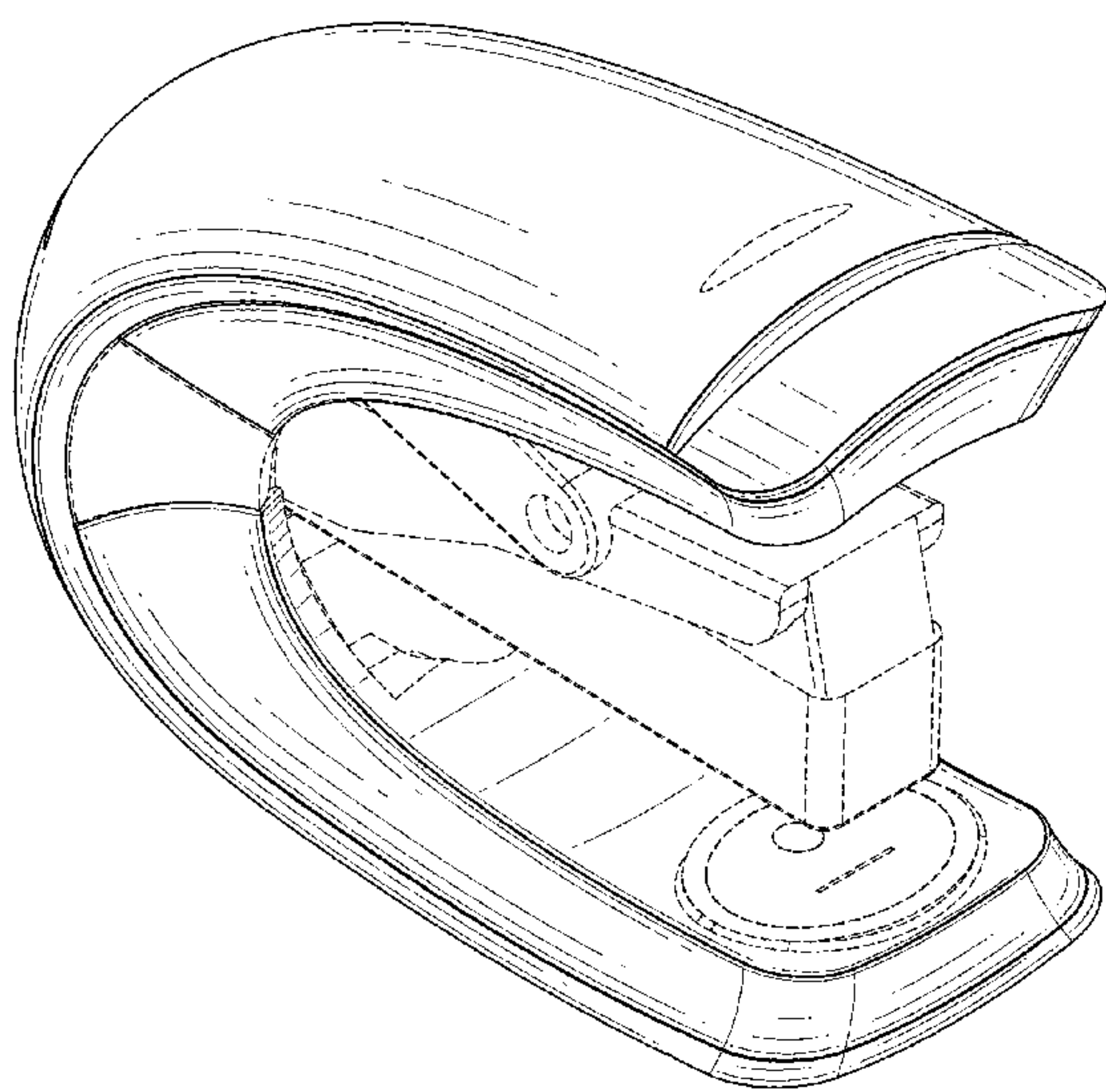
(57) **CLAIM**

The ornamental design for a stapler, as shown and described.

DESCRIPTION

FIG. 1 is a perspective view of a stapler showing my new design;
FIG. 2 is a left side elevational view thereof;
FIG. 3 is a right side elevational view thereof;
FIG. 4 is a rear elevational view thereof;
FIG. 5 is a front elevational view hereof;
FIG. 6 is a top plan view thereof; and,
FIG. 7 is a bottom plan view thereof.
The broken lines shown in FIGS. 1 to 3 and 5 to 7 are for illustrating portions of the stapler that form no part of the claimed design.

1 Claim, 7 Drawing Sheets



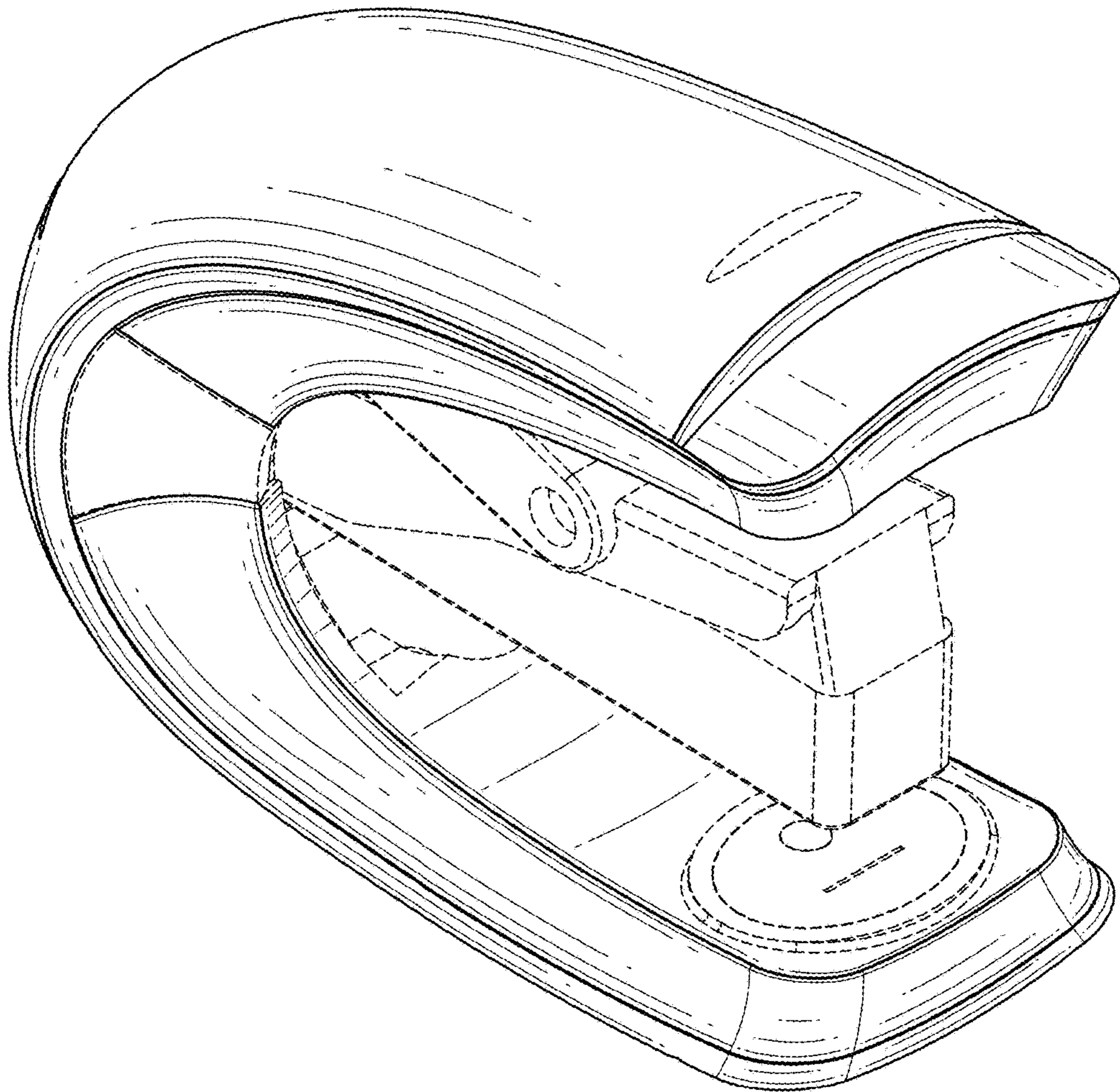


FIG.1

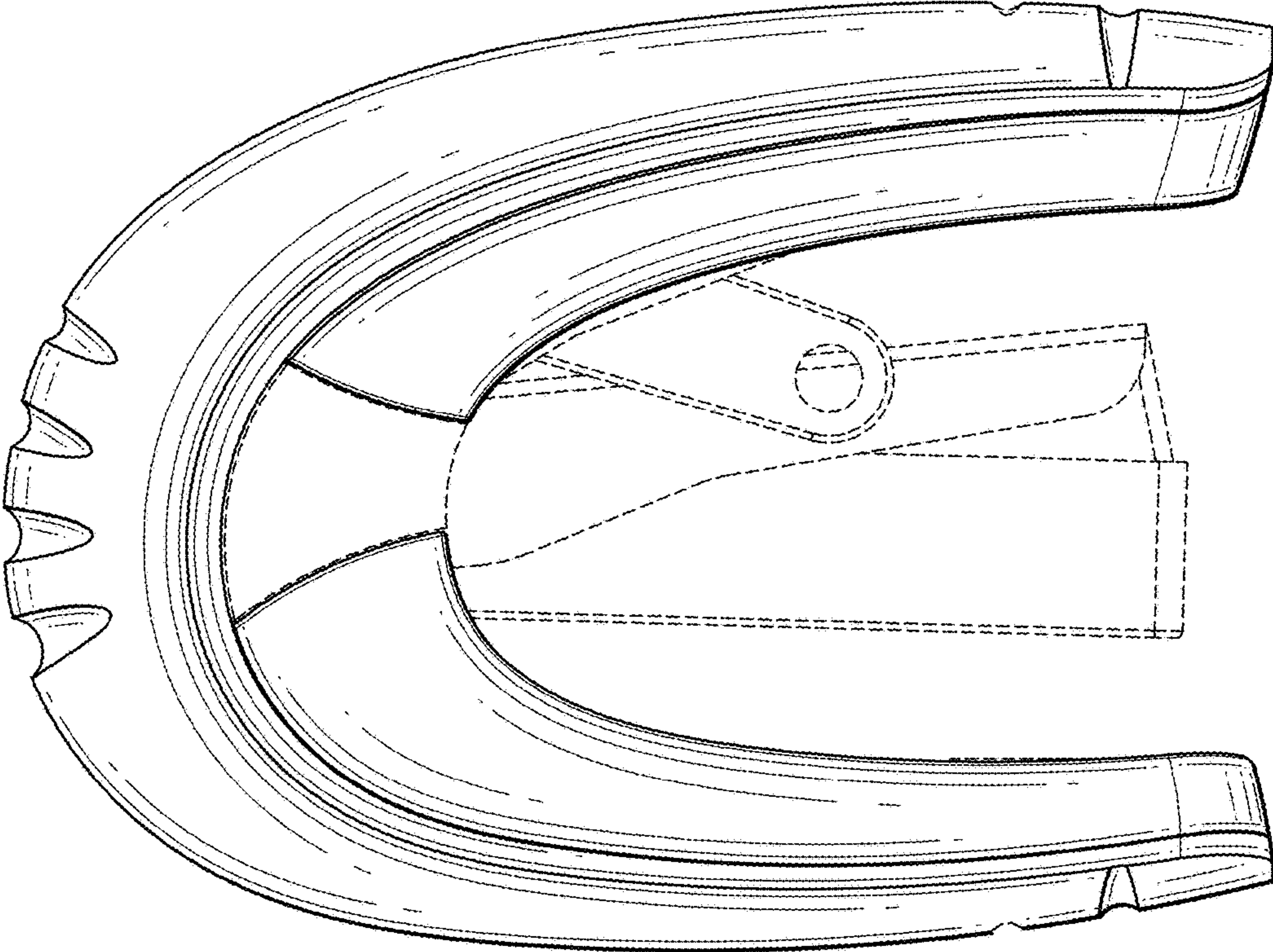


FIG.2

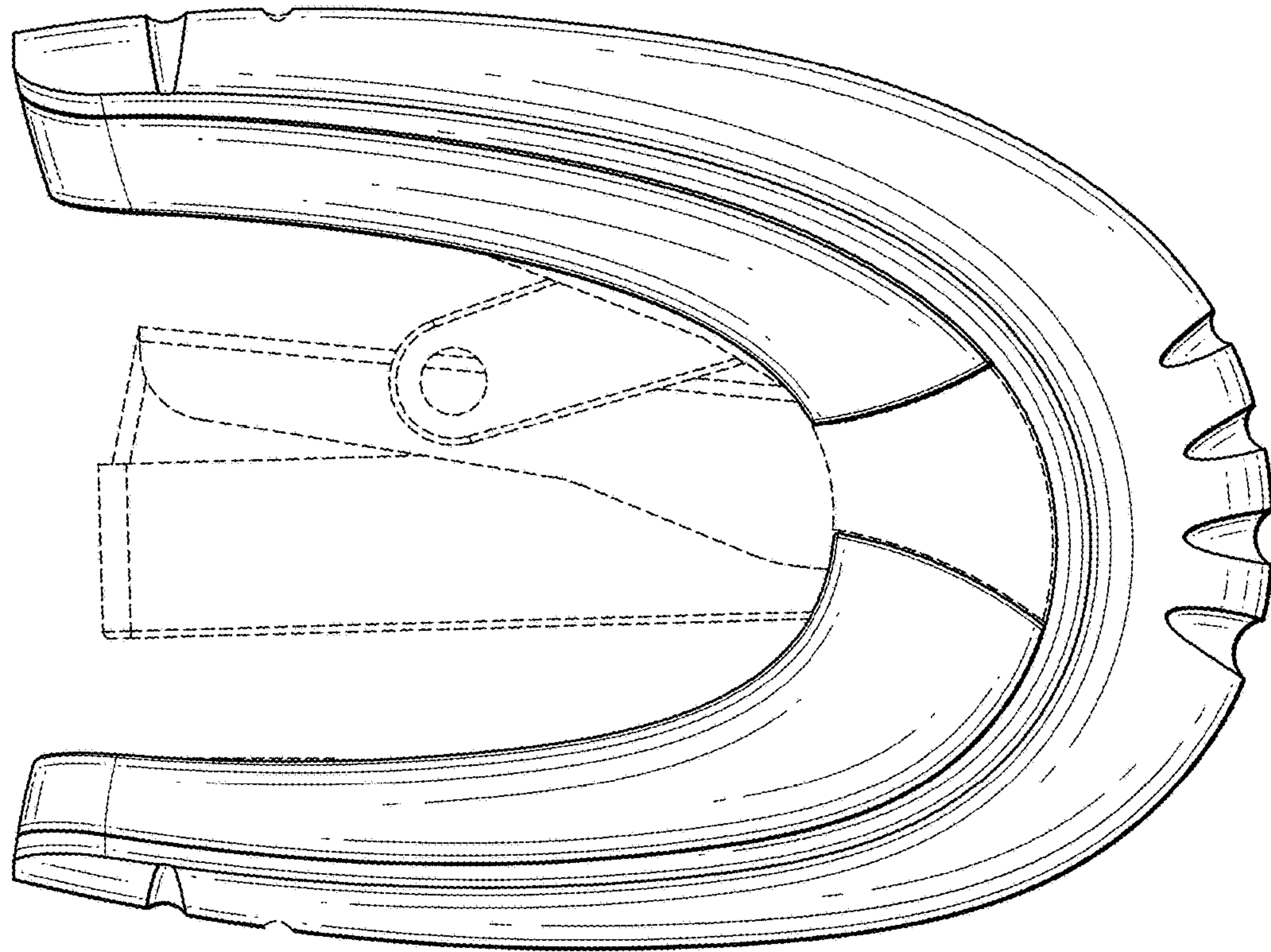


FIG.3

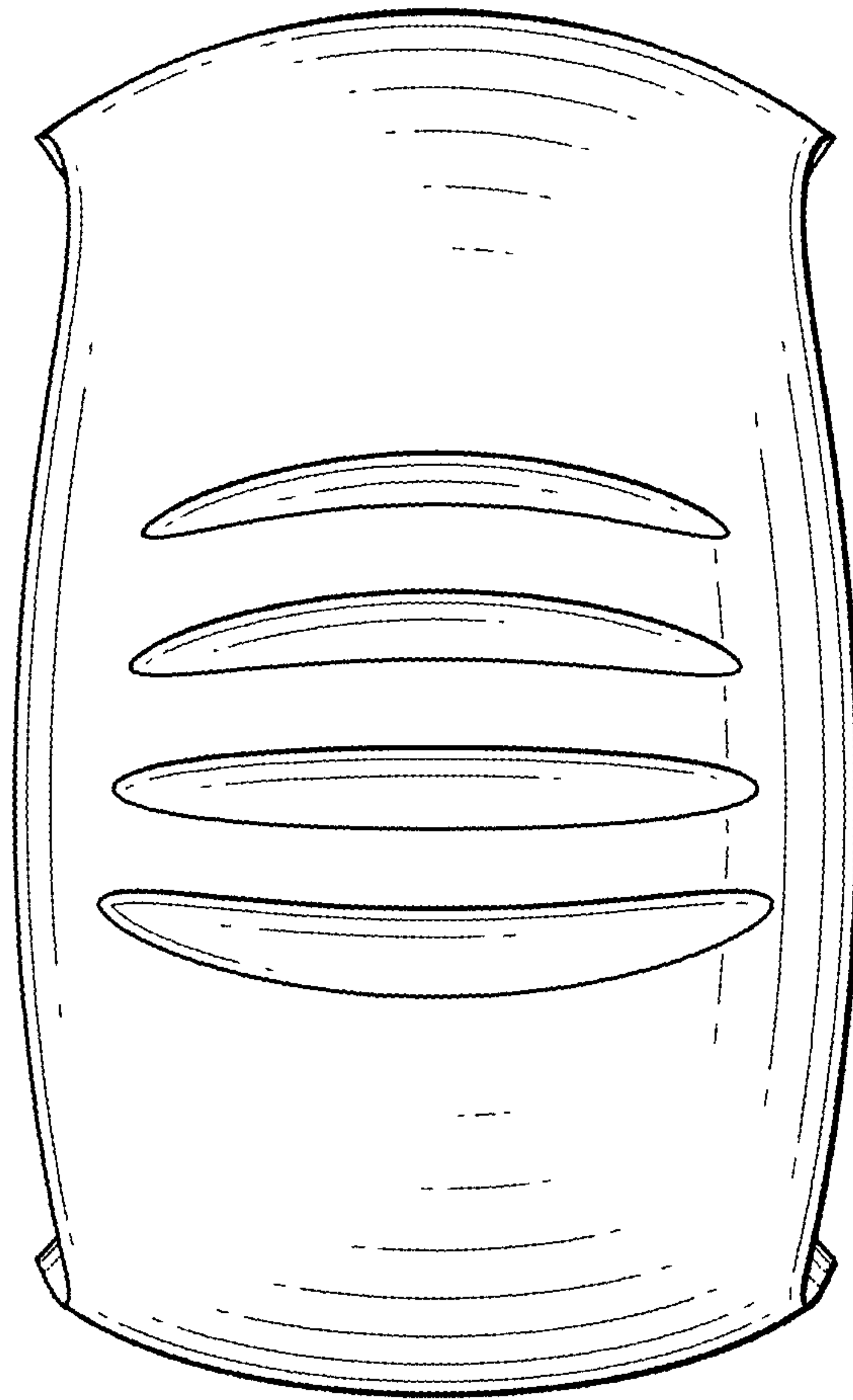


FIG.4

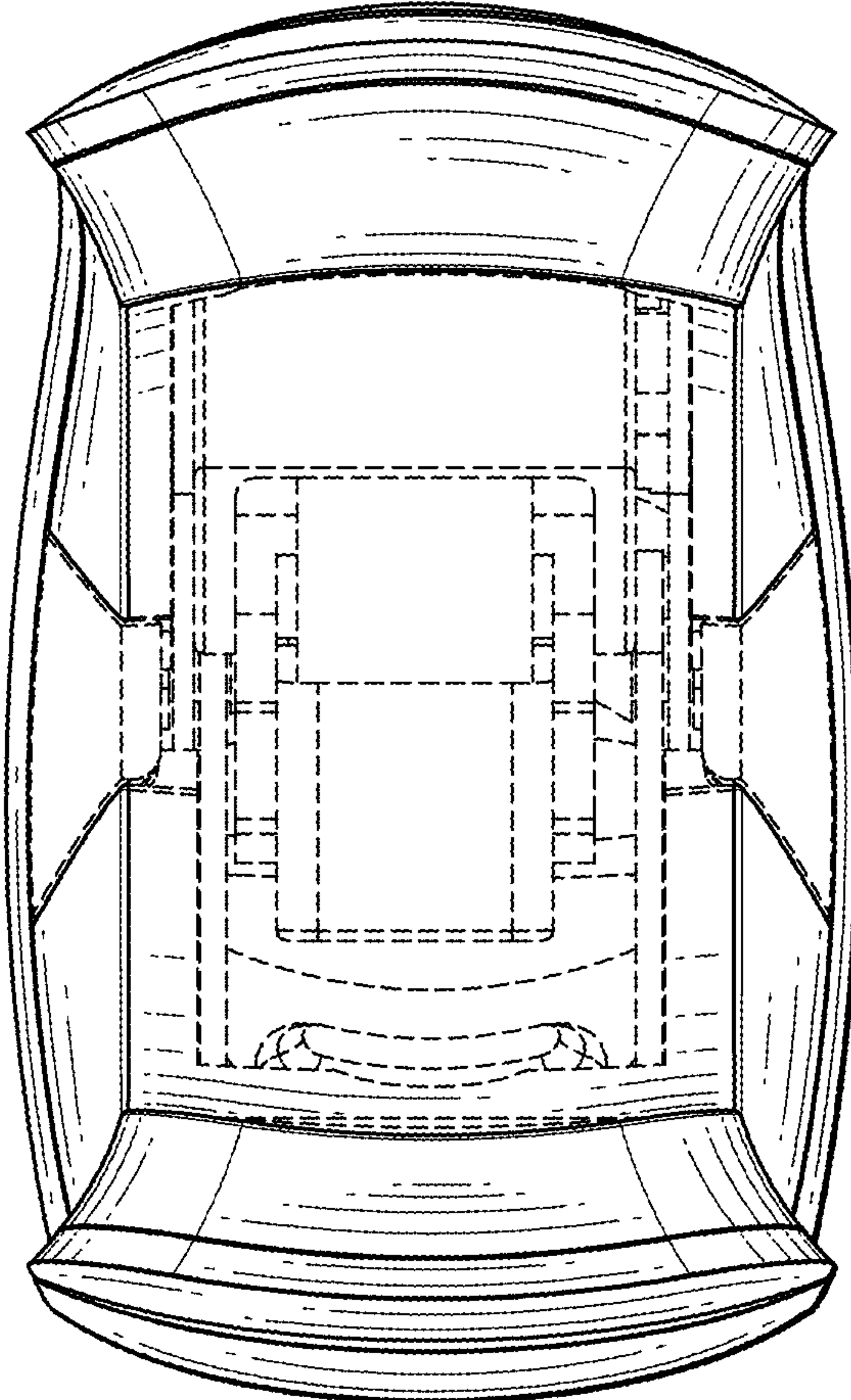


FIG.5

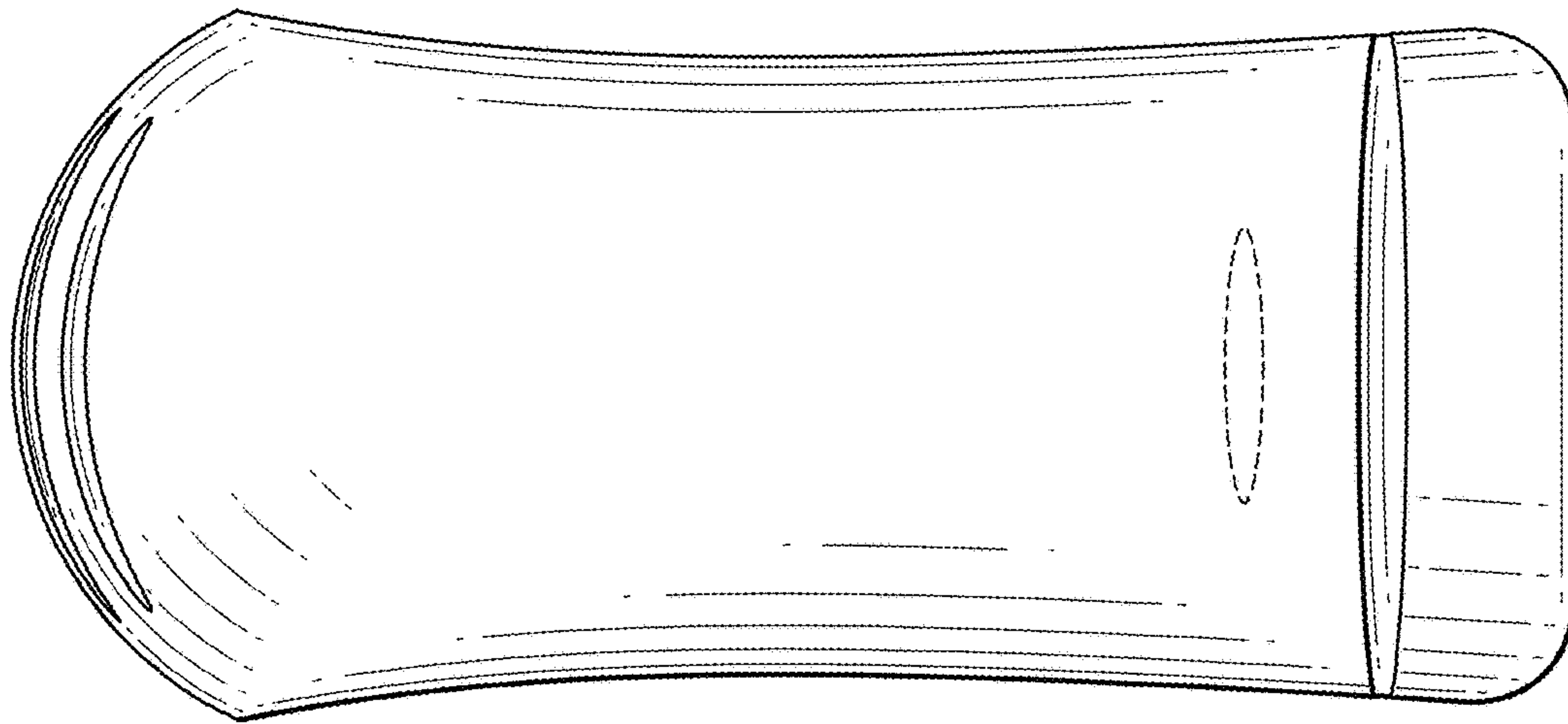


FIG.6

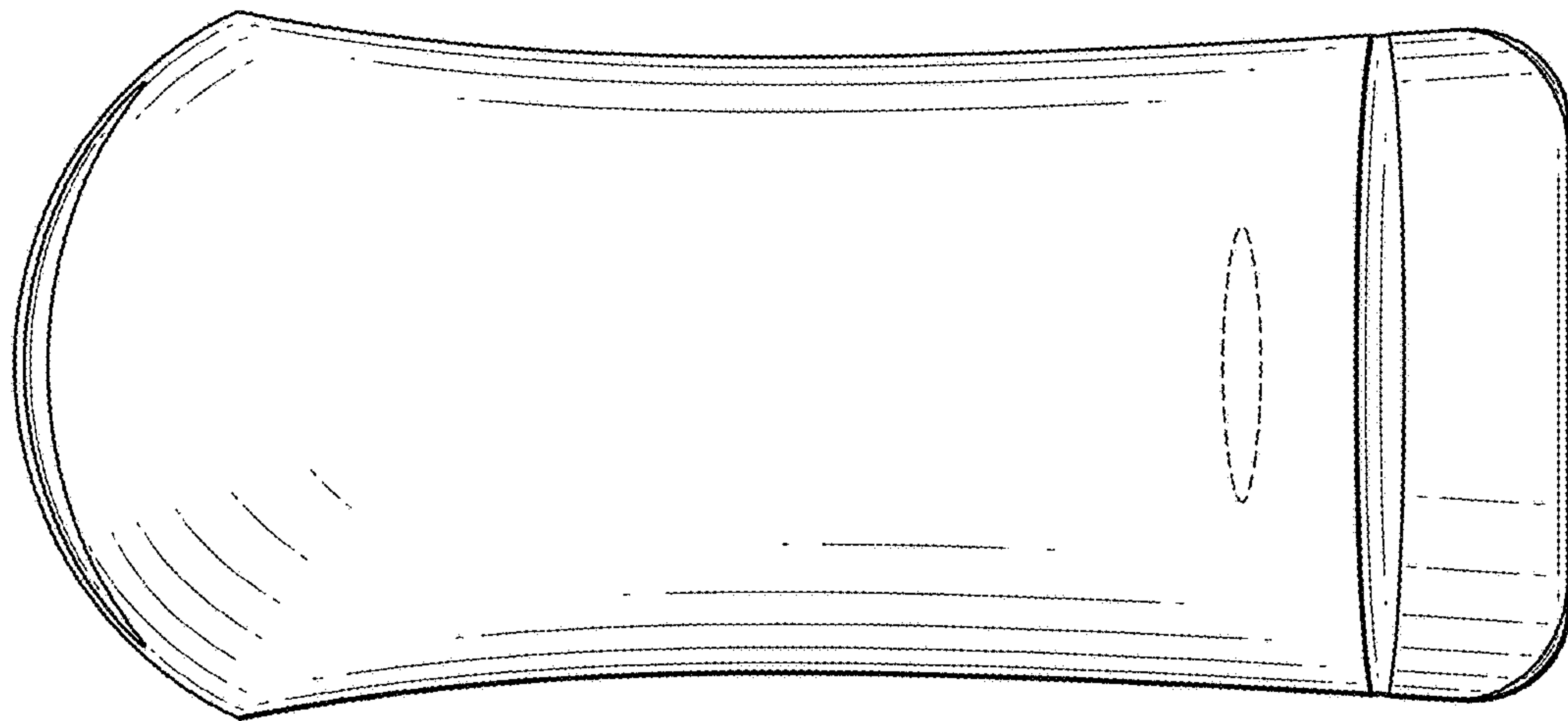


FIG.7