



US00D786034S

(12) **United States Design Patent** (10) **Patent No.:** **US D786,034 S**
Jungklaus et al. (45) **Date of Patent:** **** May 9, 2017**

(54) **HANDLE ASSEMBLY FOR DRYWALL FINISHER BOX**

(71) Applicant: **AXIA ACQUISITION CORPORATION**, Stone Mountain, GA (US)

(72) Inventors: **Matthew W. Jungklaus**, Lawrenceville, GA (US); **Mark S. Wilson**, Peachtree City, GA (US)

(73) Assignee: **AXIA ACQUISITION CORPORATION**, Stone Mountain, GA (US)

(**) Term: **15 Years**

(21) Appl. No.: **29/555,882**

(22) Filed: **Feb. 25, 2016**

Related U.S. Application Data

(62) Division of application No. 29/516,651, filed on Feb. 4, 2015, now Pat. No. Des. 766,057.

(51) **LOC (10) Cl.** **08-05**

(52) **U.S. Cl.**
USPC **D8/45**

(58) **Field of Classification Search**
USPC D8/45, 107; 16/426; 401/5, 6, 48; 425/87, 458; 451/28, 59, 344, 54, 519, 451/524

(Continued)

(56) **References Cited**

U.S. PATENT DOCUMENTS

77,506 A 5/1868 McGill
274,600 A 3/1883 Heggglund
(Continued)

FOREIGN PATENT DOCUMENTS

CA 2035484 8/1991
CA 2031952 3/1992
(Continued)

OTHER PUBLICATIONS

TapeTech Wizard Compact Flat Box Handle for Power Assist. Downloaded Dec. 11, 2016 from <http://www.ebay.com/itm/TapeTech-Wizard-Compact-Flat-Box-Handle-for-Power-Assist...>
Drywall Finisher Box, Bing Images, <http://www.bing.com/images/search?q=drywall+finisher+box&qpv=drywall+finisher+box> downloaded Feb. 5, 2015 (2 pages).
TapeTech-Flat-Box-Handle_2, http://www.all-wall.com/TapeTech-Flat-Box-Handle_2.jpg downloaded Feb. 5, 2015 (1 page).

(Continued)

Primary Examiner — Philip S Hyder
Assistant Examiner — Roselynn Cody

(74) *Attorney, Agent, or Firm* — Michael Best & Friedrich LLP

(57) **CLAIM**

We claim the ornamental design for a handle assembly for drywall finisher box, as shown and described.

DESCRIPTION

FIG. 1 is a perspective view of an embodiment of a handle assembly mounted to a drywall finisher box.

FIG. 2 is a perspective view of the handle assembly shown in FIG. 1.

FIG. 3 is a left side elevation view of the handle assembly shown in FIG. 1.

FIG. 4 is a right side elevation view of the handle assembly shown in FIG. 1.

FIG. 5 is a front elevation view of the handle assembly shown in FIG. 1.

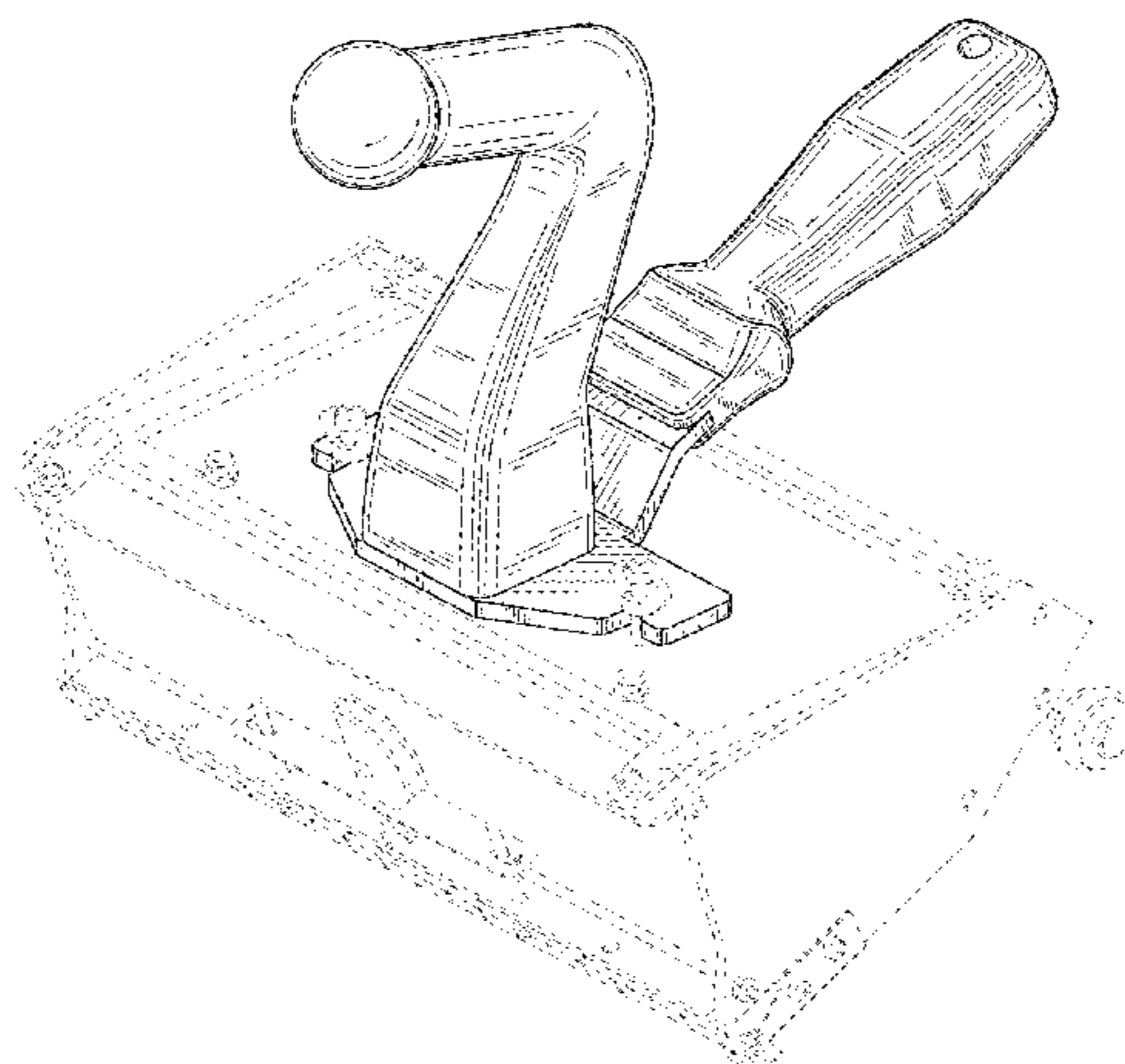
FIG. 6 is a rear elevation view of the handle assembly shown in FIG. 1.

FIG. 7 is a top plan view of the handle assembly shown in FIG. 1; and,

FIG. 8 is a bottom plan view of the handle assembly shown in FIG. 1.

The broken lines showing the environment form no part of the claimed design.

1 Claim, 6 Drawing Sheets



- (58) **Field of Classification Search**
 CPC E04F 21/06; E04F 21/165; B05C 17/005;
 B24B 23/00; B24D 15/00; B24D 15/023;
 B25G 1/06; B25G 1/102
 See application file for complete search history.

(56) **References Cited**

U.S. PATENT DOCUMENTS

701,503	A	6/1902	Plummer	
872,568	A	12/1907	Linderoth	
932,879	A	8/1909	May	
1,828,738	A	10/1931	Hood	
2,302,424	A	* 11/1942	Delnostro B24B 23/046 451/344
2,302,434	A	11/1942	Delnostro	
2,434,356	A	1/1948	Finkelstein	
2,437,827	A	3/1948	Lund	
2,630,703	A	3/1953	Sommers	
2,711,098	A	6/1955	Ames	
2,912,851	A	11/1959	Karnes	
D188,337	S	7/1960	Cowley et al.	
2,984,857	A	5/1961	Ames	
3,284,898	A	11/1966	Hopkins	
3,363,316	A	1/1968	Skarsten	
3,546,822	A	12/1970	Hutchins	
4,129,407	A	12/1978	Golls et al.	
4,137,670	A	2/1979	Goralski	
D263,364	S	3/1982	Bruno	
4,516,868	A	5/1985	Molnar	
D282,716	S	2/1986	Heinis	
4,619,013	A	10/1986	Yon	
4,676,031	A	6/1987	Reiter	
4,774,789	A	10/1988	Amalfi	
4,802,310	A	2/1989	Holmes	
5,016,402	A	5/1991	Reiter	
5,054,248	A	10/1991	Thayer	
5,143,264	A	9/1992	MacMillan	
5,309,594	A	5/1994	Thompson	
D358,491	S	5/1995	Hoagland	
D360,988	S	8/1995	Laubach, III et al.	
D362,937	S	10/1995	Camp, Jr. et al.	
5,471,700	A	12/1995	Pereira	
5,632,569	A	5/1997	Szmansky	
D381,483	S	7/1997	Hartman	
D389,652	S	1/1998	Berti	
5,792,489	A	8/1998	Lieberman	
5,850,663	A	12/1998	Hardy et al.	
D405,960	S	2/1999	King et al.	

D426,444	S	6/2000	Hepworth
6,146,039	A	11/2000	Pool et al.
6,163,919	A	12/2000	Mitchell
D438,015	S	2/2001	Weiss
6,216,306	B1	4/2001	Esterson et al.
6,263,578	B1	7/2001	Frantz et al.
6,443,825	B2	9/2002	Schadoffsky et al.
D498,124	S	11/2004	Mitchell
7,011,570	B1	3/2006	Mac Leod
7,011,573	B2	3/2006	McArthur
D532,671	S	11/2006	Skillas
7,318,716	B2	1/2008	Castagnetta, Jr.
7,398,569	B2	7/2008	Sakaldasis
7,775,855	B2	8/2010	Cybulski
D674,259	S	1/2013	Metaxatos et al.
D674,260	S	1/2013	Metaxatos et al.
D682,062	S	5/2013	Metaxatos et al.
8,438,687	B2	5/2013	Cybulski et al.
D733,517	S	7/2015	Constantine
2003/0051303	A1	3/2003	Hung
2005/0241839	A1	11/2005	Demar et al.
2006/0137123	A1	6/2006	Sampaio
2007/0056133	A1	3/2007	Pyatt
2007/0067947	A1	3/2007	Hittmann
2007/0068008	A1	3/2007	Wu et al.
2007/0135028	A1	6/2007	Carpenter
2008/0302214	A1	12/2008	Hoffman
2010/0092232	A1	4/2010	Gallardo
2011/0289721	A1	12/2011	Allen
2013/0047381	A1	2/2013	Zorn

FOREIGN PATENT DOCUMENTS

DE	2816485	10/1979
DE	19507955	9/1996

OTHER PUBLICATIONS

Roofers Choice Hand Metal Seamer, 6 in. Straight, <<http://www.bestmaterials.com/detail.aspx?ID=20171>> downloaded Feb. 5, 2015 (2 pages).
 Drywall-Master-12in-Super-Finish-Flat-B, <http://www.all-wall.com/Drywall-Master-12in-Super-Finish-Flat-Box-Handle-12101_lg.jpg> download Feb. 5, 2015 (1 page).
 International Search Report for Application No. PCT/US2015/014474 dated May 8, 2015 (8 pages).
 International Written Report for Application No. PCT/US2015/014474 dated May 8, 2015 (4 pages).

* cited by examiner

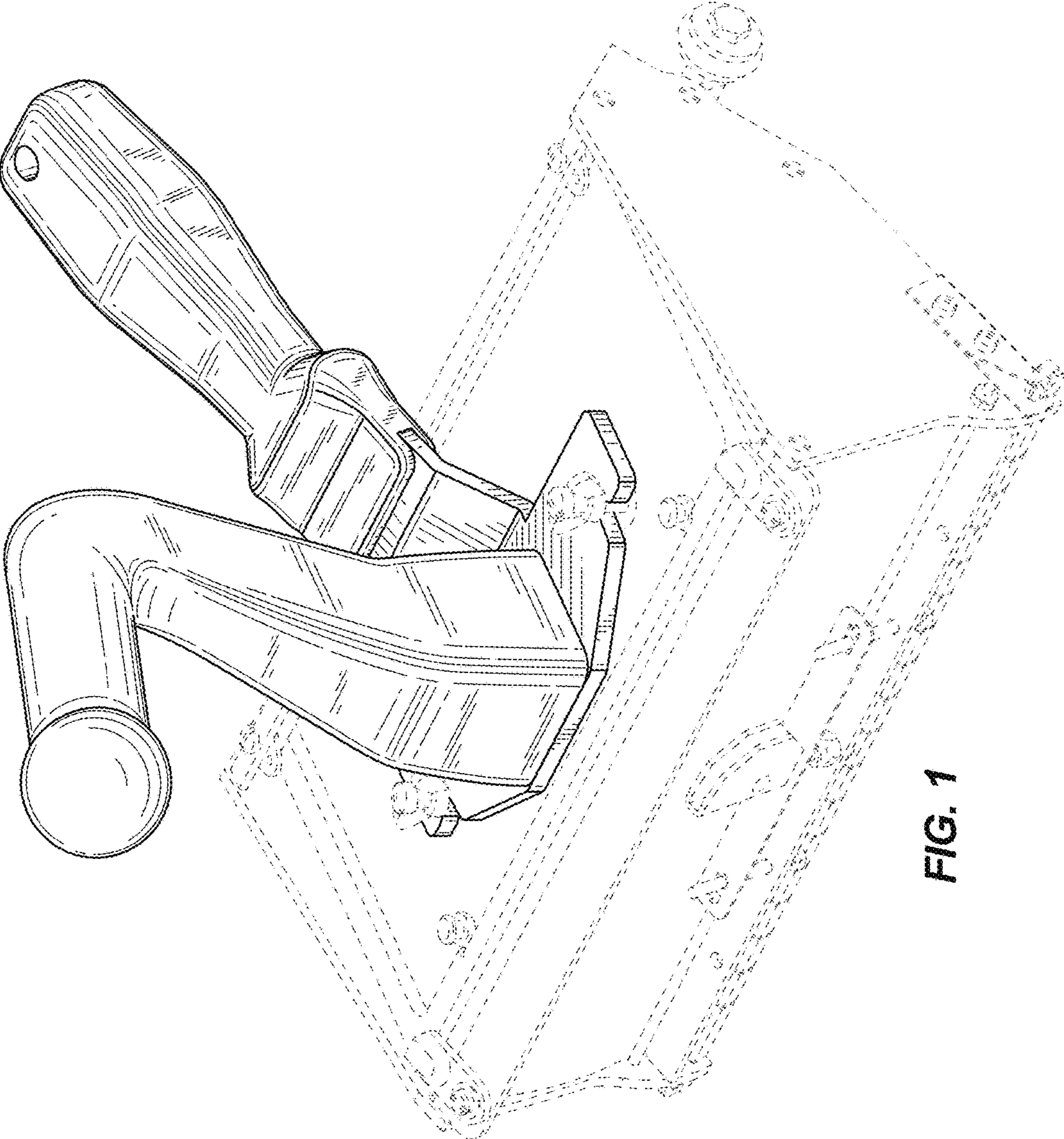


FIG. 1

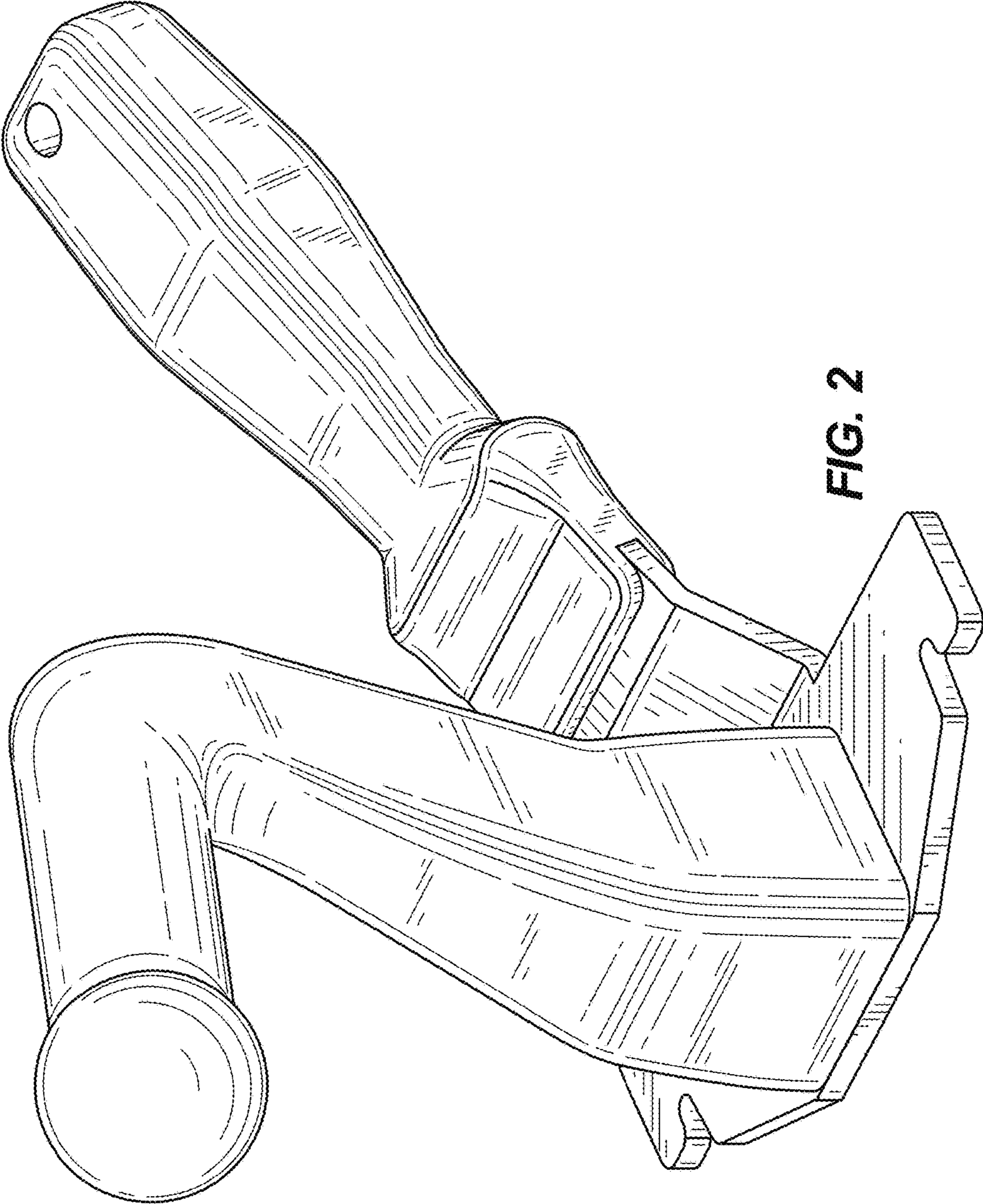


FIG. 2

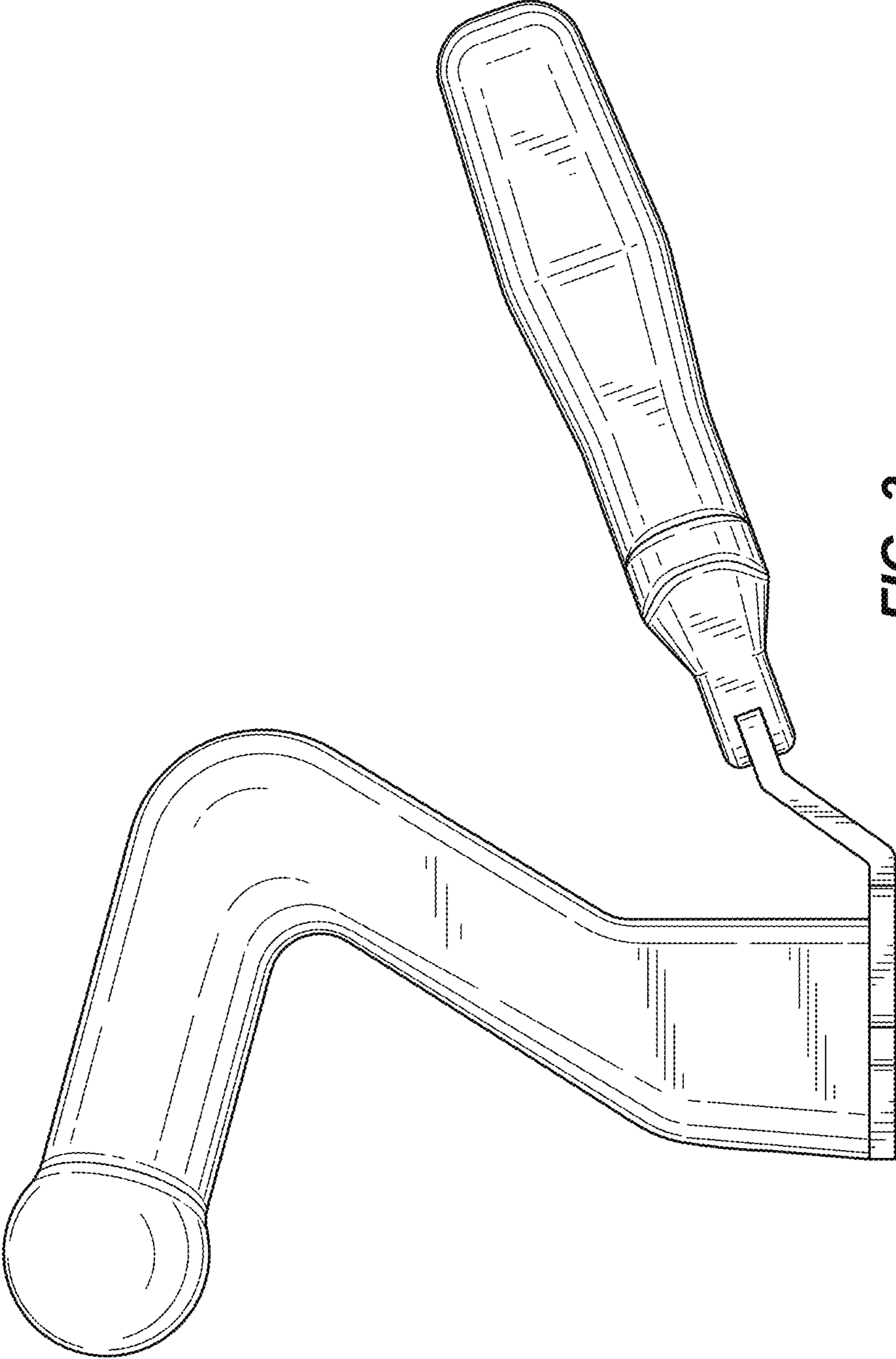


FIG. 3

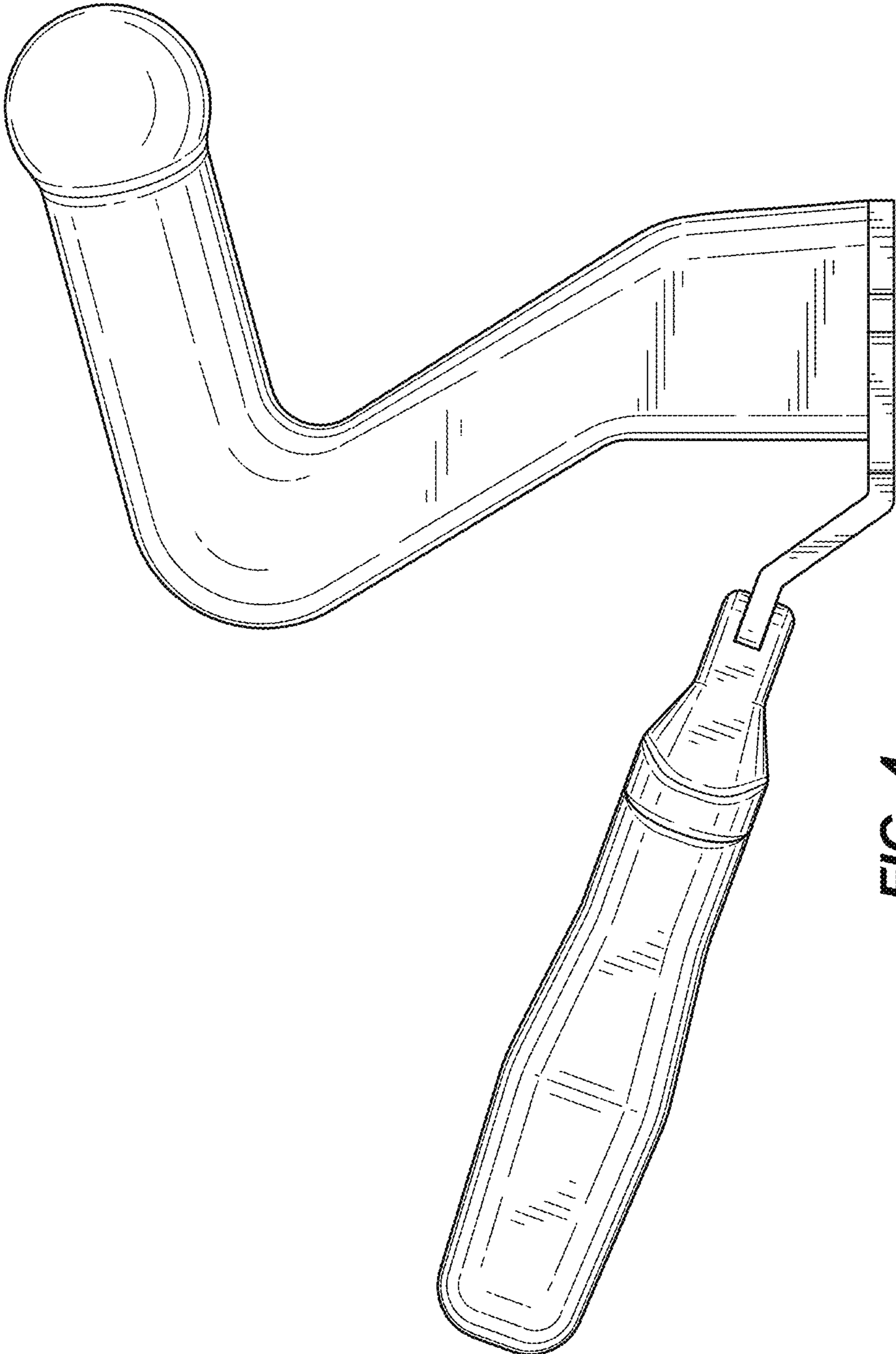


FIG. 4

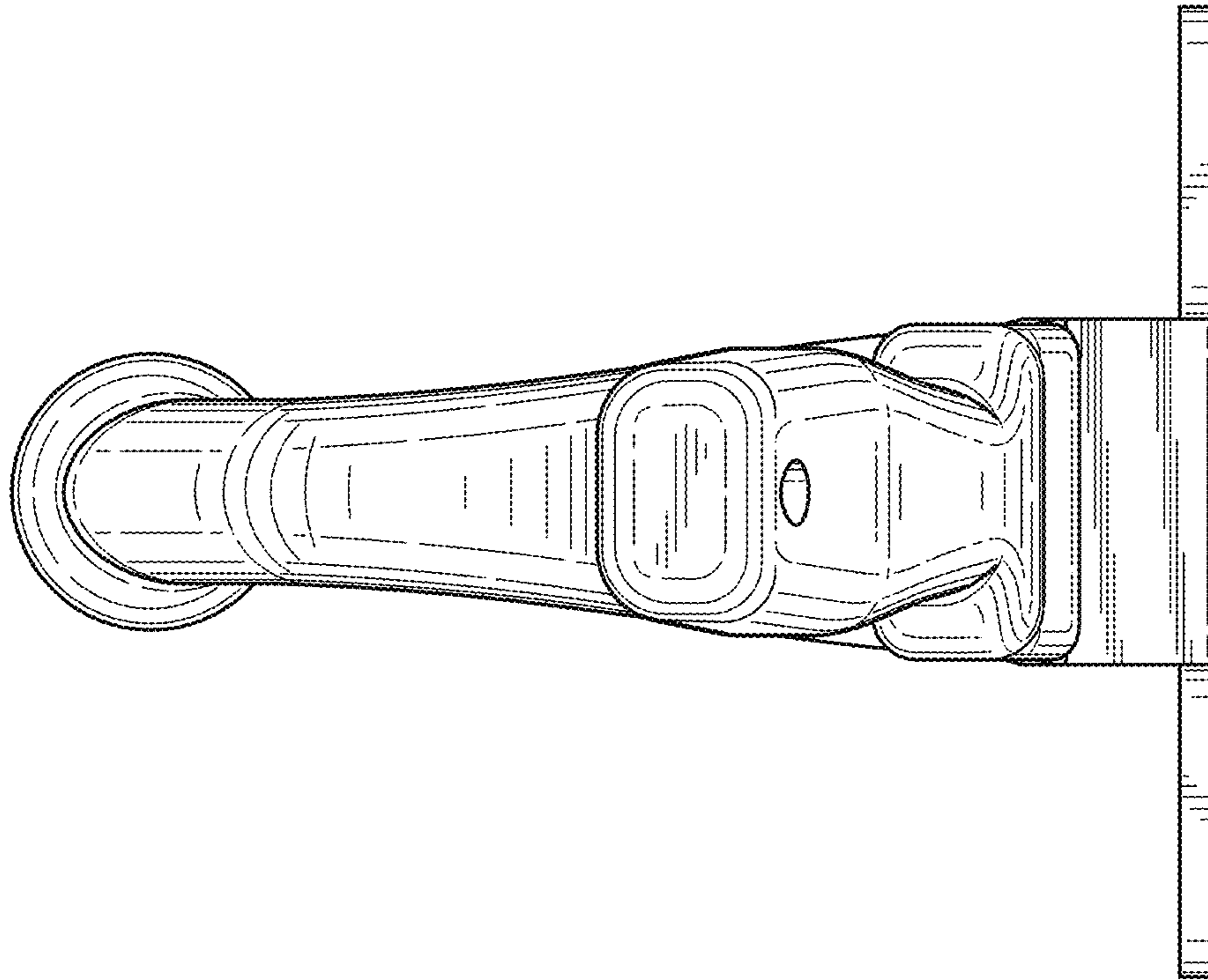


FIG. 6

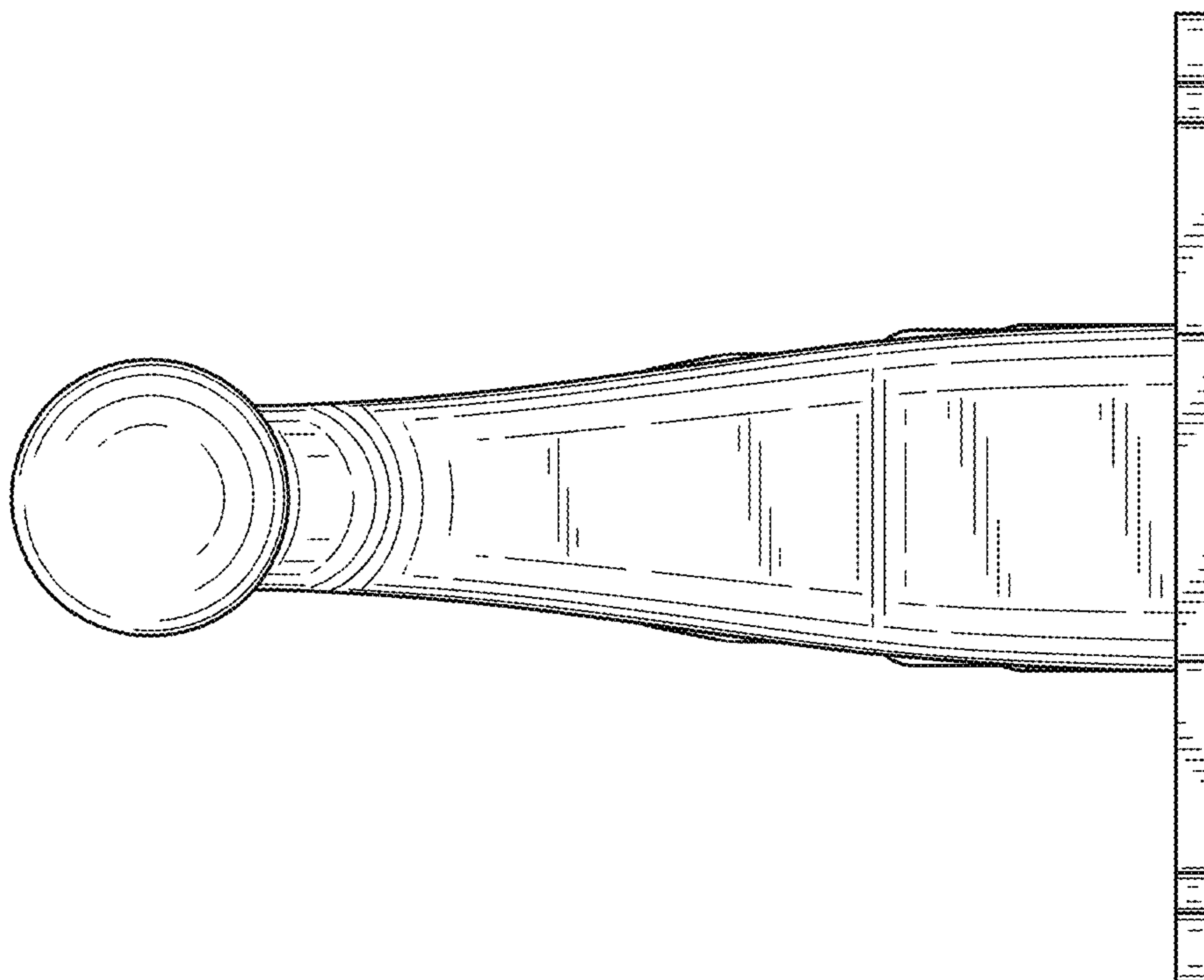


FIG. 5

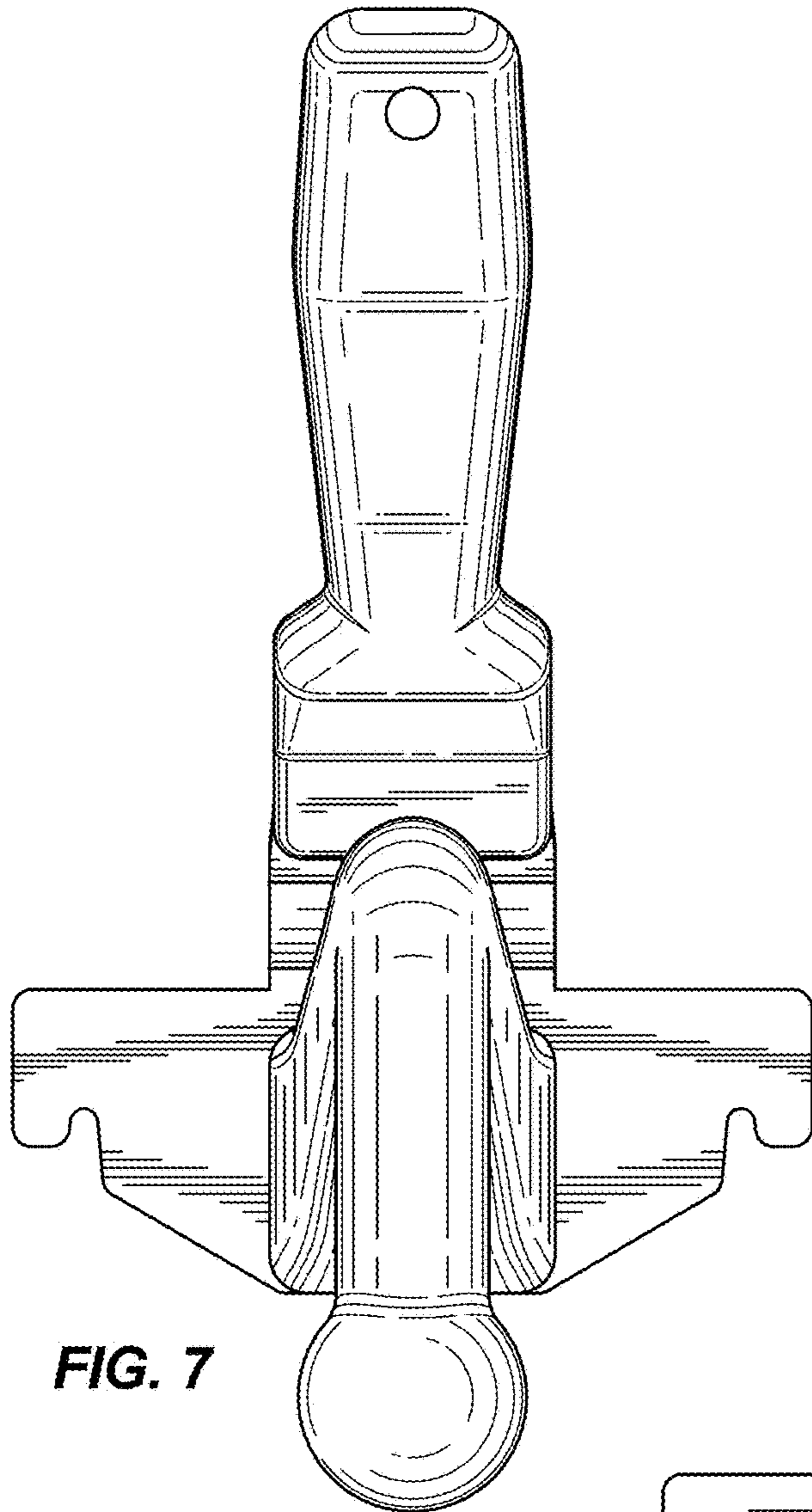


FIG. 7

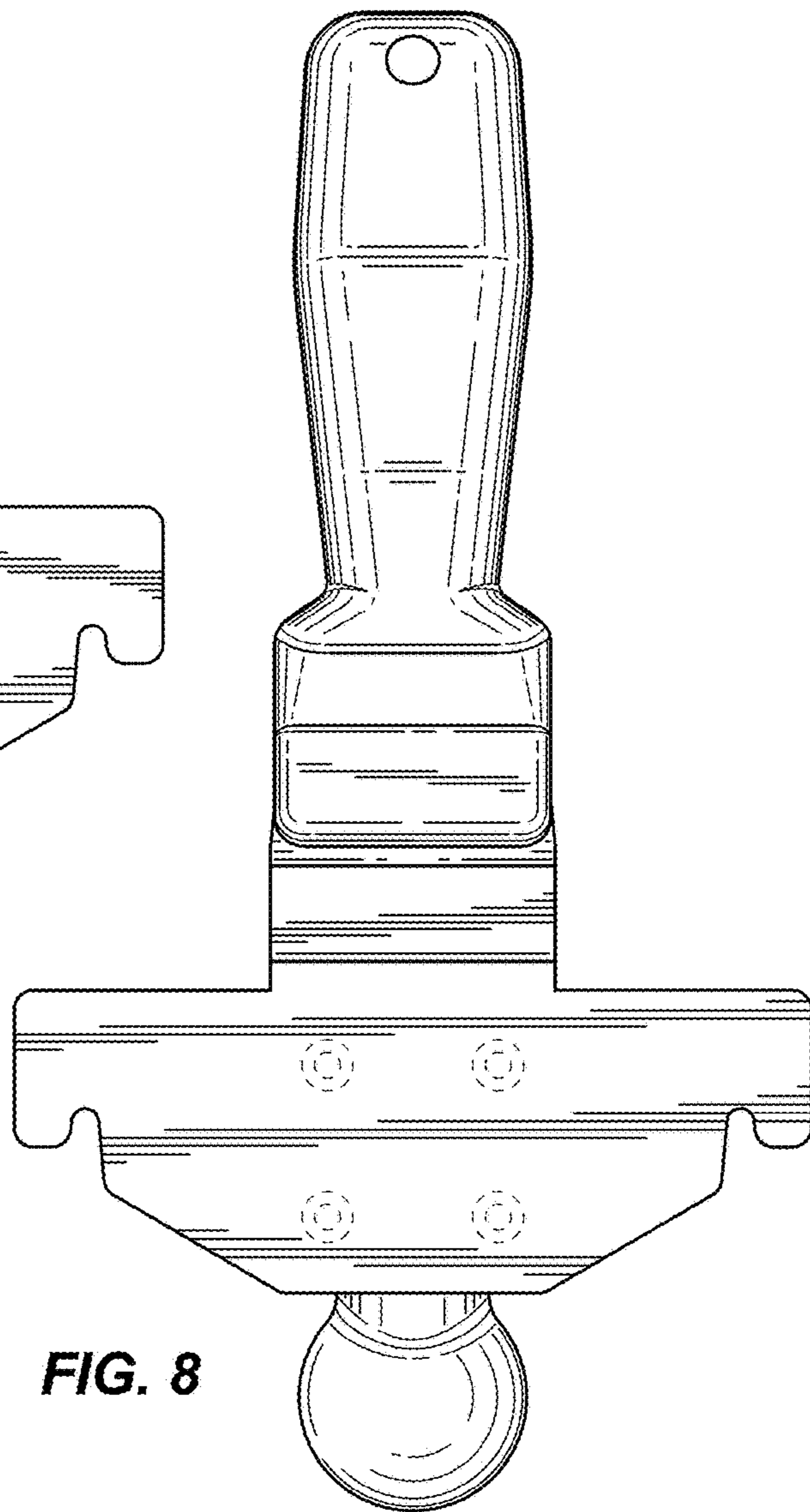


FIG. 8