



US00D786033S

(12) **United States Design Patent**  
**Rampling**

(10) **Patent No.:** **US D786,033 S**

(45) **Date of Patent:** **\*\* May 9, 2017**

(54) **GASKET FOR A PLASTERING TOOL BLADE**

(71) Applicant: **Scott Cutters Limited**, Marlow,  
Buckinghamshire (GB)

(72) Inventor: **Scott Rampling**, Marlow (GB)

(73) Assignee: **SCOTT CUTTERS LTD**,  
Buckinghamshire (GB)

(\*\*) Term: **15 Years**

(21) Appl. No.: **29/528,418**

(22) Filed: **May 28, 2015**

(30) **Foreign Application Priority Data**

Nov. 28, 2014 (EM) ..... 002587485-0001

(51) **LOC (10) Cl.** ..... **08-05**

(52) **U.S. Cl.**  
USPC ..... **D8/45**

(58) **Field of Classification Search**

USPC ..... D8/14, 45; D12/190; D28/12, 13, 16,  
D28/18; D25/48.2, 52, 119, 125, 138,  
D25/164

CPC ..... E04F 19/00; E04F 19/005; E04F 19/02;  
E04F 19/04; E04F 19/022; E04F 19/024;  
E04F 19/029; E04F 19/0436; E04F 13/06;  
E04F 2019/0404; E04F 2019/0409; E04F  
2019/0422; E04F 2019/0454

See application file for complete search history.

(56) **References Cited**

**U.S. PATENT DOCUMENTS**

D191,907 S \* 12/1961 Conradt et al. .... D25/119  
D280,247 S \* 8/1985 Jones ..... D32/41

D309,343 S \* 7/1990 Koza ..... D23/269  
D357,563 S \* 4/1995 Vosbikian ..... D32/41  
D362,934 S \* 10/1995 Hansen ..... D32/41  
D377,550 S \* 1/1997 Shepherd ..... D32/42  
8,157,814 B2 \* 4/2012 Kelsey ..... A45D 26/00  
606/131  
D746,745 S \* 1/2016 Schoonover ..... D12/190  
D759,924 S \* 6/2016 Masalin ..... D32/40  
D773,141 S \* 11/2016 Chitayat ..... D32/41

\* cited by examiner

*Primary Examiner* — Philip S Hyder

*Assistant Examiner* — Roselynn Cody

(74) *Attorney, Agent, or Firm* — Lewis Roca Rothgerber  
Christie LLP

(57) **CLAIM**

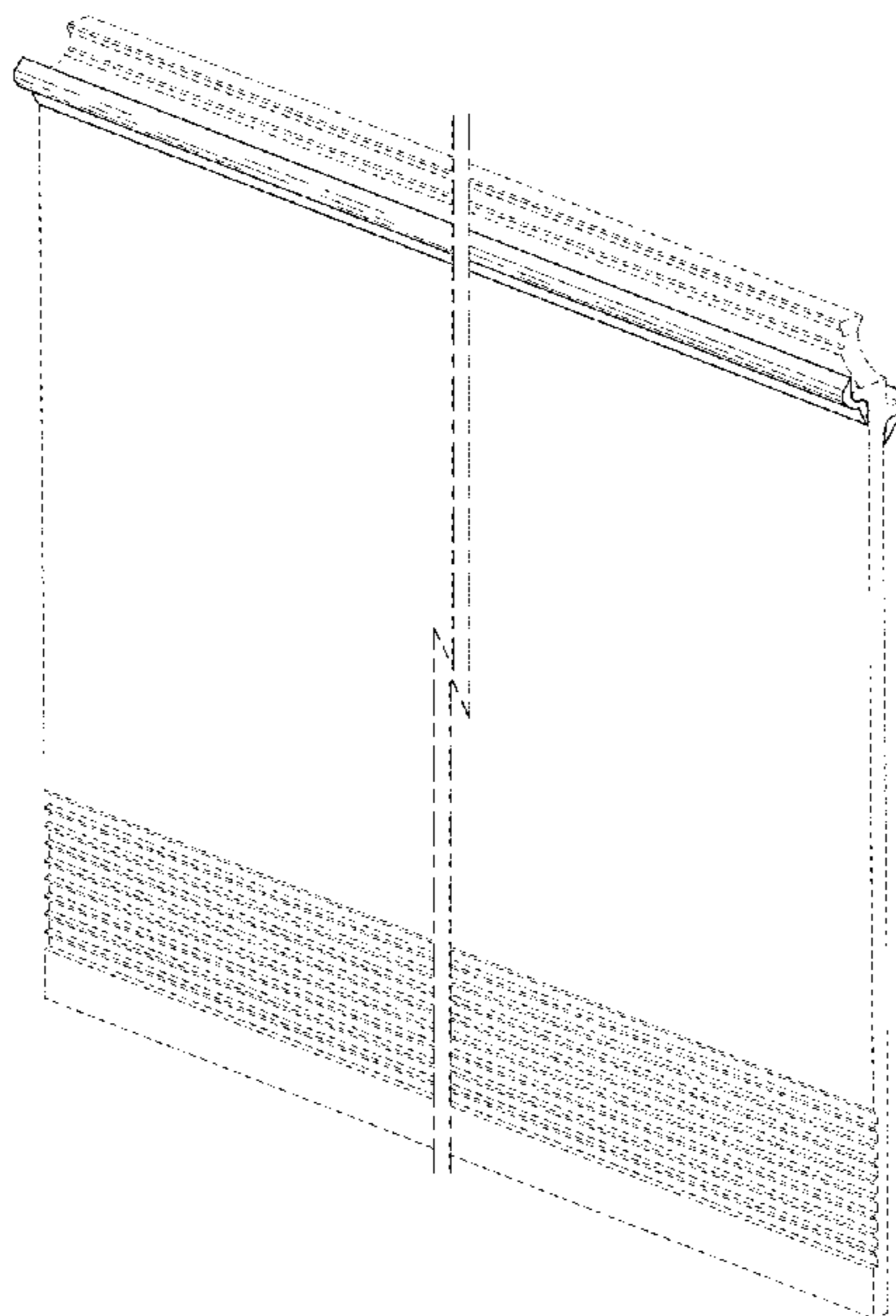
The ornamental design for a gasket for a plastering tool blade, as shown and described.

**DESCRIPTION**

FIG. 1 is a front perspective view of the gasket for a plastering tool blade;  
FIG. 2 is a rear perspective view thereof;  
FIG. 3 is a front view thereof;  
FIG. 4 is a rear view thereof;  
FIG. 5 is a top view thereof;  
FIG. 6 is a bottom view thereof;  
FIG. 7 is a right side view thereof; and,  
FIG. 8 is a left side view thereof.

The broken lines in the drawings are directed to portions of the gasket for a plastering tool blade that form no part of the claim. The gasket for a plastering tool blade is shown with a symbolic break in its length. The appearance of any portion of the article between the break lines forms no part of the claim.

**1 Claim, 6 Drawing Sheets**



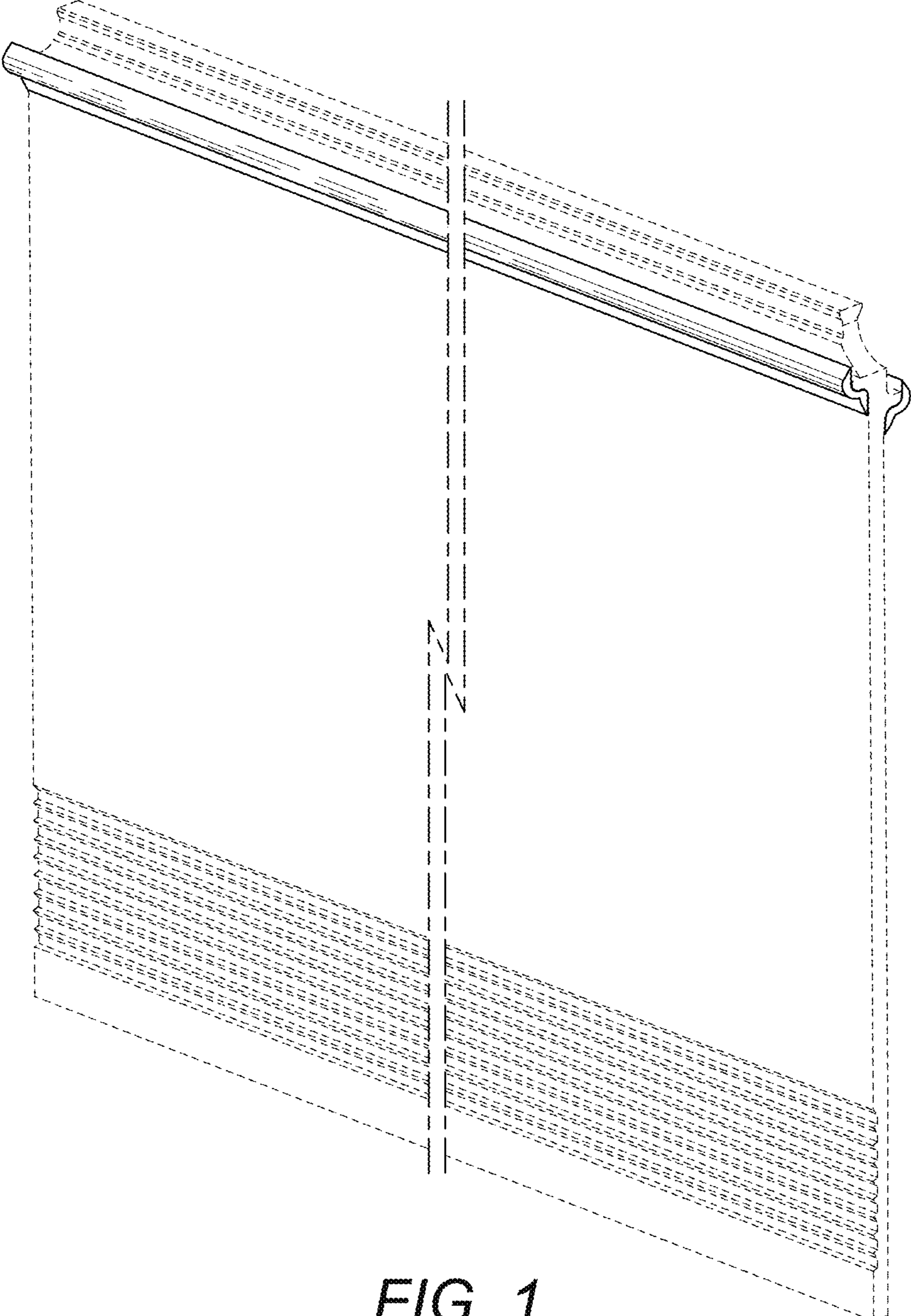
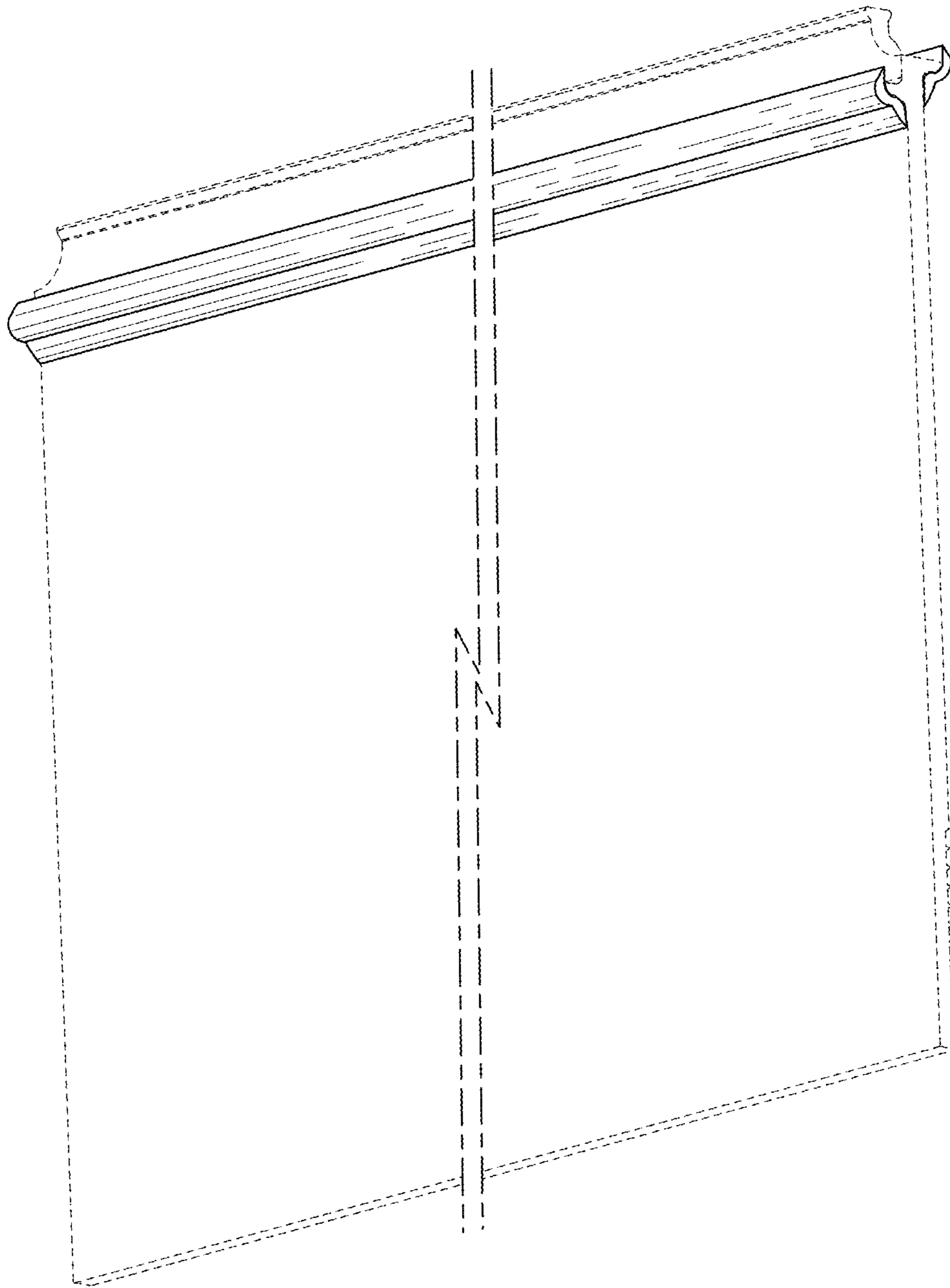


FIG. 1



**FIG. 2**

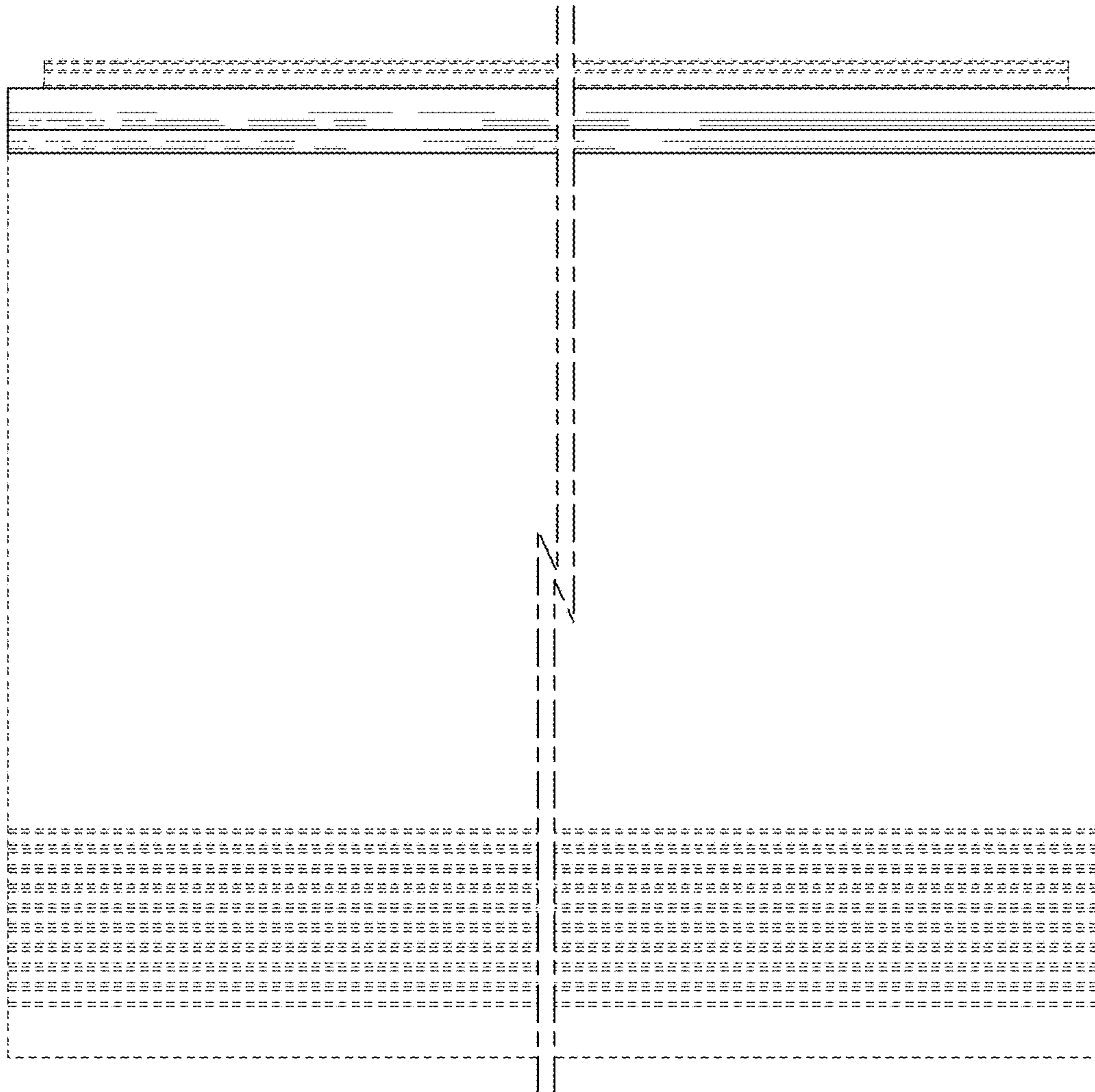


FIG. 3

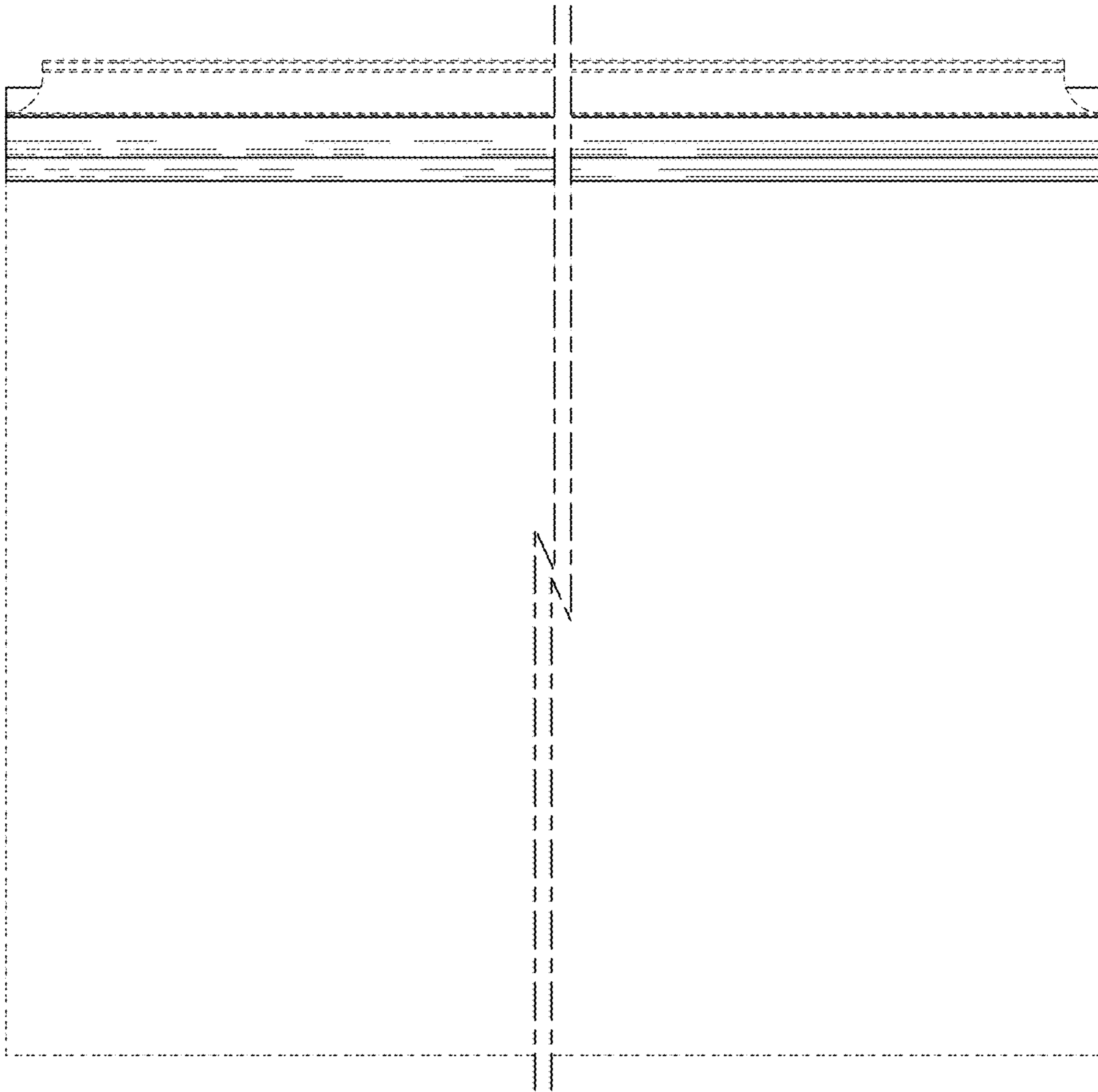
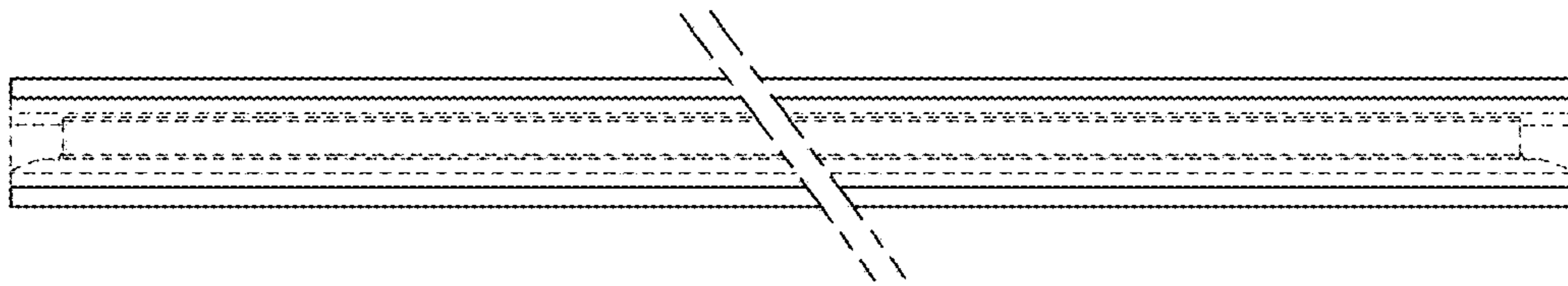
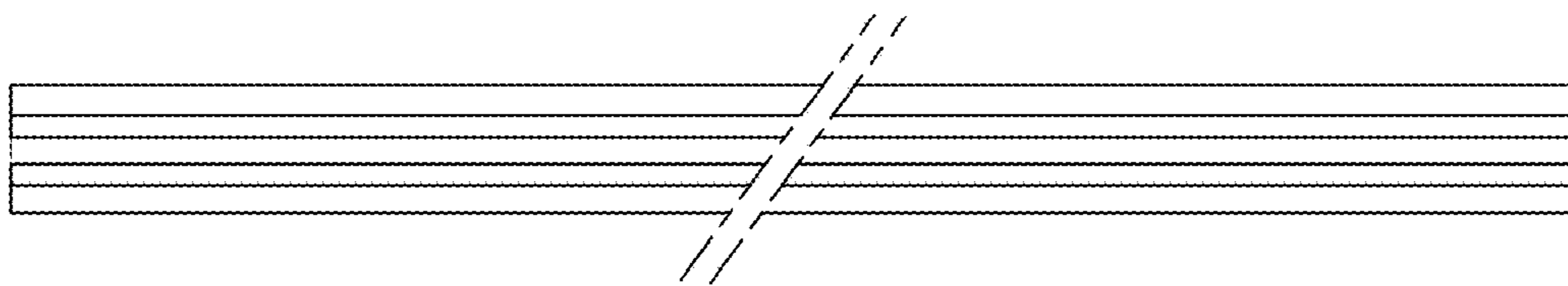


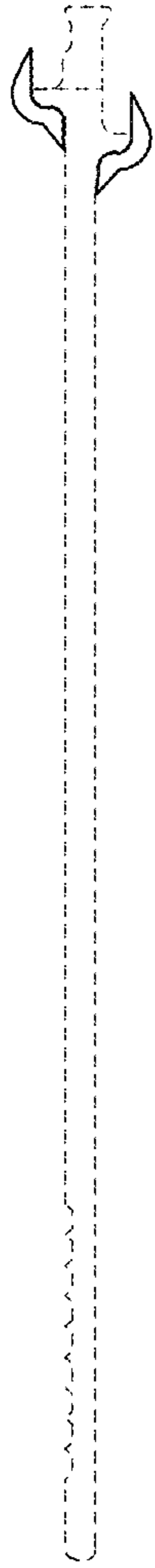
FIG. 4



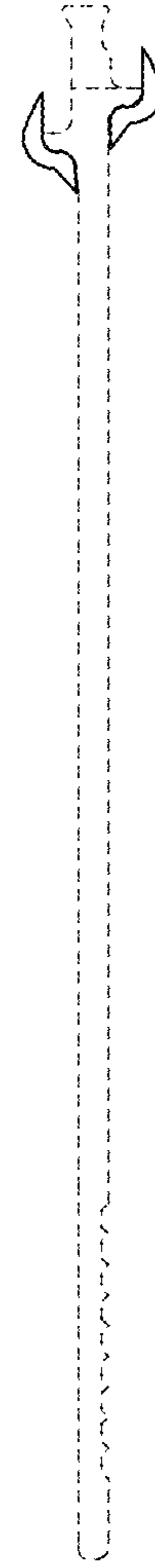
*FIG. 5*



*FIG. 6*



*FIG. 7*



*FIG. 8*