



US00D786030S

(12) **United States Design Patent** (10) **Patent No.:** **US D786,030 S**  
**Busschaert et al.** (45) **Date of Patent:** **\*\* May 9, 2017**

- (54) **HEDGE TRIMMER**
- (71) Applicant: **BLACK & DECKER INC.**, Newark, DE (US)
- (72) Inventors: **Jason F. Busschaert**, Bel Air, MD (US); **Michael Walstrum**, Abingdon, MD (US)
- (73) Assignee: **BLACK & DECKER INC.**, New Britain, CT (US)
- (\*\*) Term: **14 Years**
- (21) Appl. No.: **29/512,474**
- (22) Filed: **Dec. 19, 2014**
- (51) **LOC (10) Cl.** ..... **08-01**
- (52) **U.S. Cl.**  
USPC ..... **D8/8**
- (58) **Field of Classification Search**  
USPC ..... D8/1, 7, 8, 9, 499; D15/1, 17  
CPC .. A01D 34/01; A01D 34/416; A01D 34/4161; A01D 34/84; A01D 34/90; A01G 3/06; A01G 3/053; A01G 3/067; B25F 5/02; B27B 17/00; B27B 17/08; B27B 17/0008; Y10T 83/9324  
See application file for complete search history.

- D560,983 S \* 2/2008 Tinius ..... D8/8  
D649,845 S \* 12/2011 Yamamoto ..... D8/9  
D657,211 S \* 4/2012 Kosugi ..... D8/8  
D670,144 S \* 11/2012 Tinius ..... D8/8  
D678,737 S \* 3/2013 Yamamoto ..... D8/8  
8,397,389 B2\* 3/2013 Geromiller ..... A01G 3/053  
30/208  
D711,700 S \* 8/2014 Mehra ..... D8/65  
D761,066 S \* 7/2016 Mueller ..... D8/8  
D761,067 S \* 7/2016 Mueller ..... D8/8

\* cited by examiner

*Primary Examiner* — Sandra Snapp  
*Assistant Examiner* — Ieisha Price  
(74) *Attorney, Agent, or Firm* — John Yun

(57) **CLAIM**

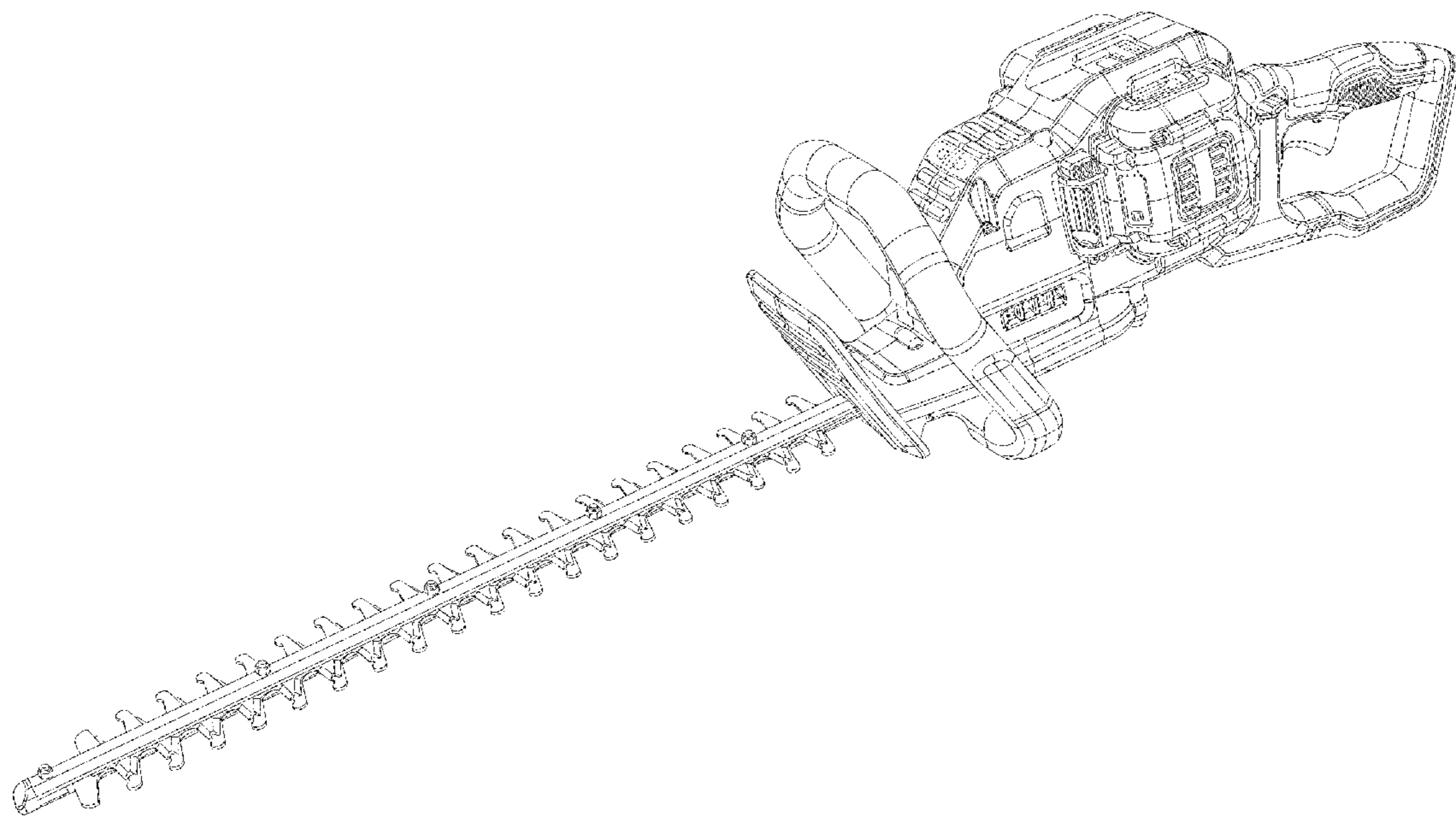
The ornamental design for a hedge trimmer, as shown and described.

**DESCRIPTION**

FIG. 1 is a front perspective view of a hedge trimmer; FIG. 2 is a rear perspective view thereof; FIG. 3 is a left side view thereof; FIG. 4 is a right side view thereof; FIG. 5 is a front view thereof; FIG. 6 is a rear view thereof; FIG. 7 is a top plan view thereof; and, FIG. 8 is a bottom plan view thereof. The broken lines in the drawings illustrating portions of the hedge trimmer depict environmental subject matter and form no part of the claimed design.

**1 Claim, 8 Drawing Sheets**

- (56) **References Cited**  
U.S. PATENT DOCUMENTS  
D355,572 S \* 2/1995 Griffin ..... D8/8  
D473,116 S \* 4/2003 Jong ..... D8/8  
7,290,641 B2\* 11/2007 Lee ..... F16D 49/08  
188/20



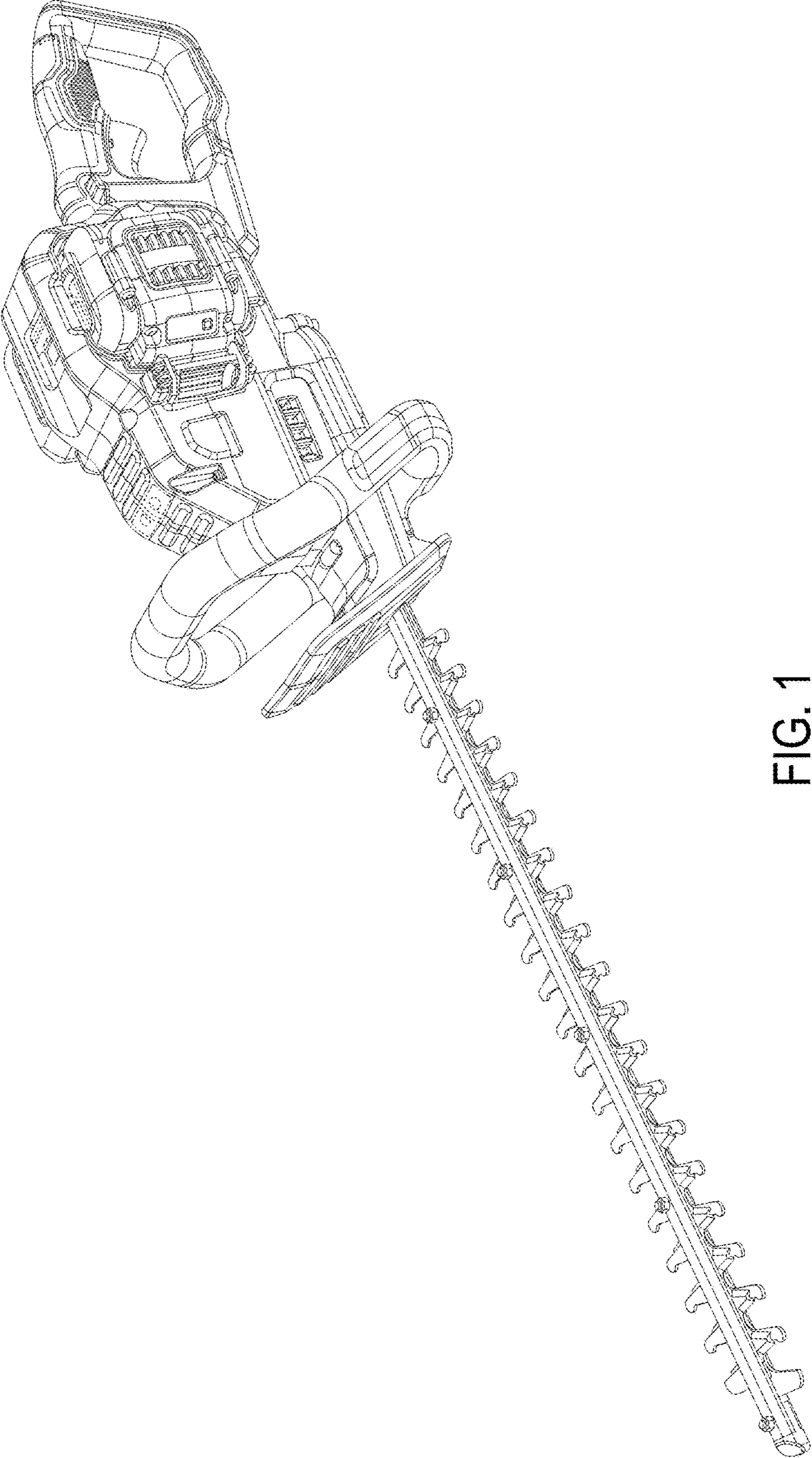


FIG. 1

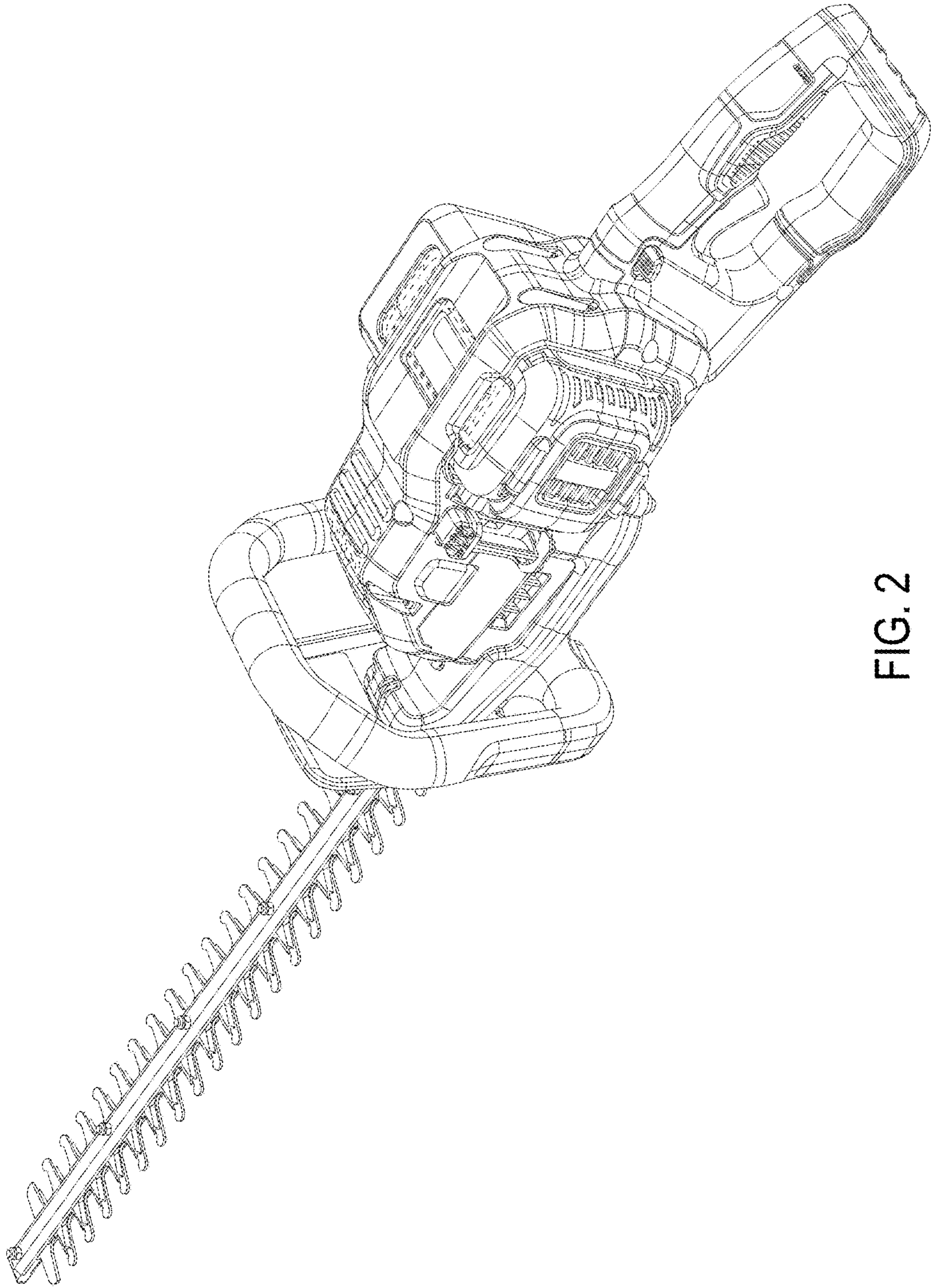


FIG. 2

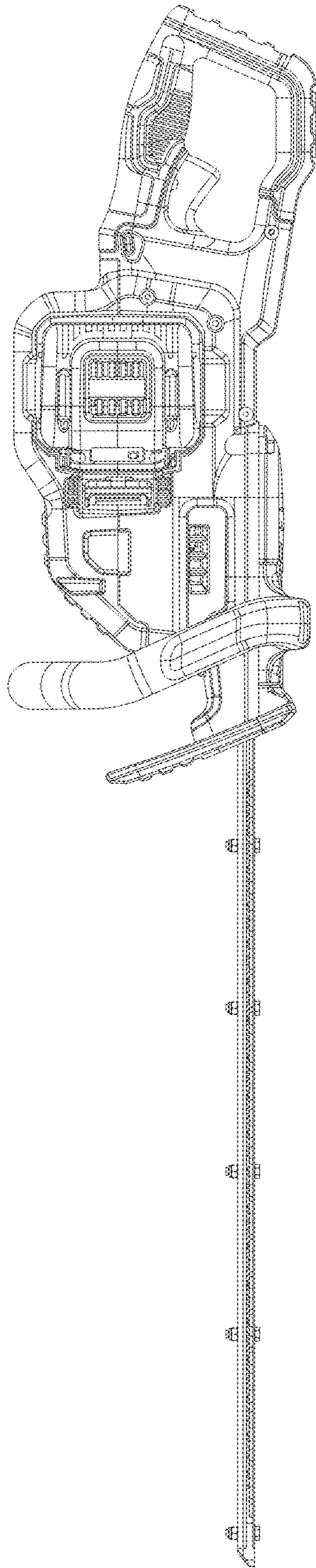


FIG. 3

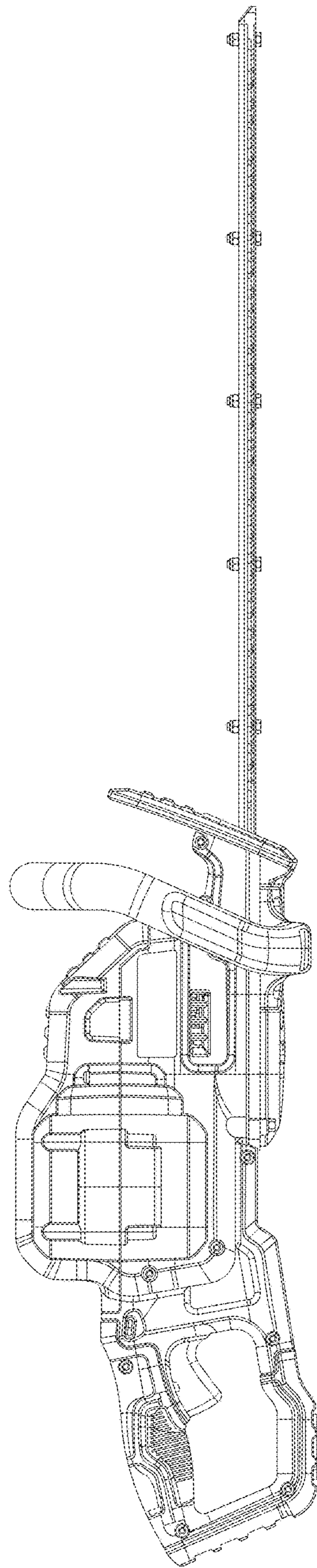


FIG. 4

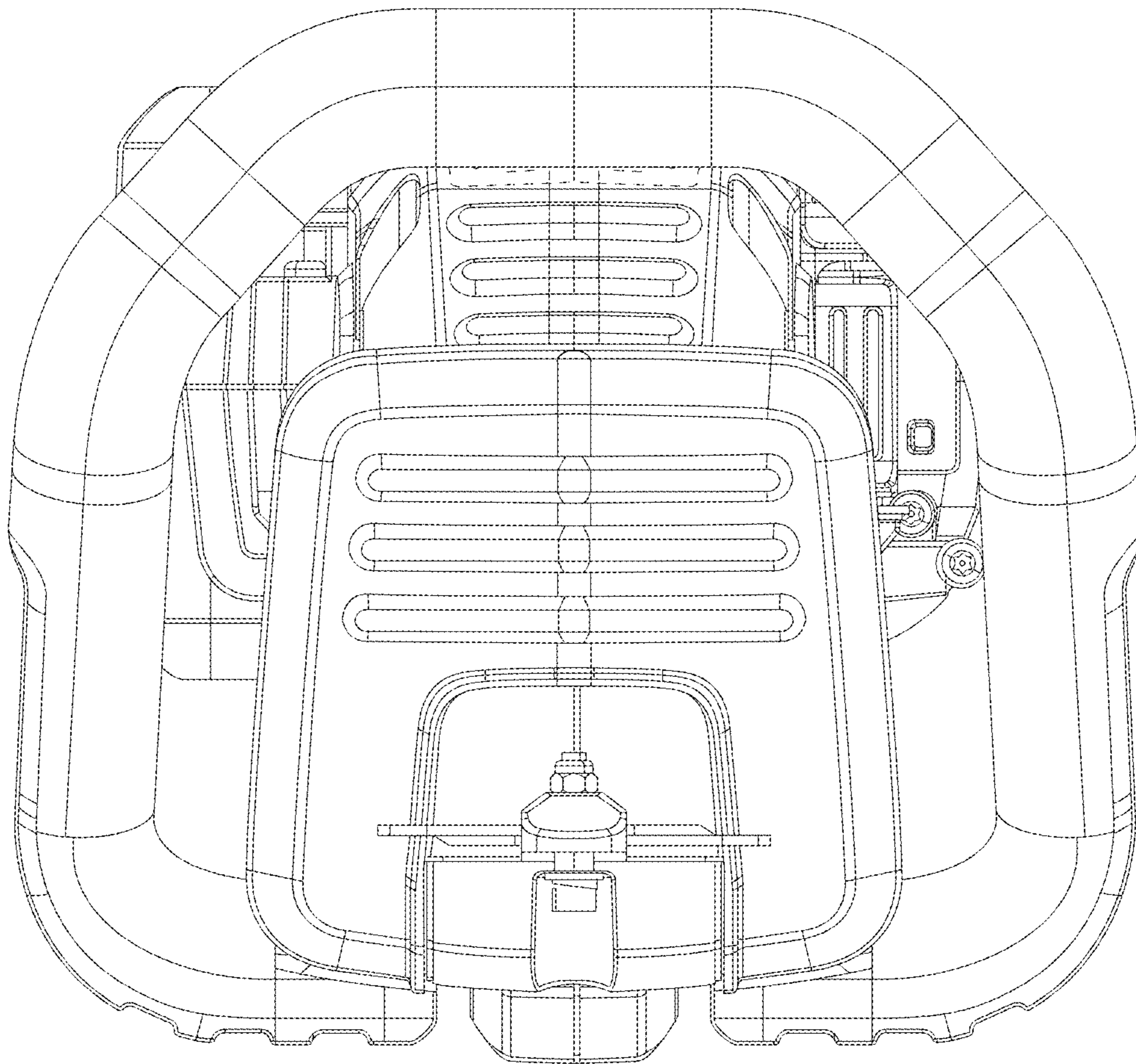


FIG. 5

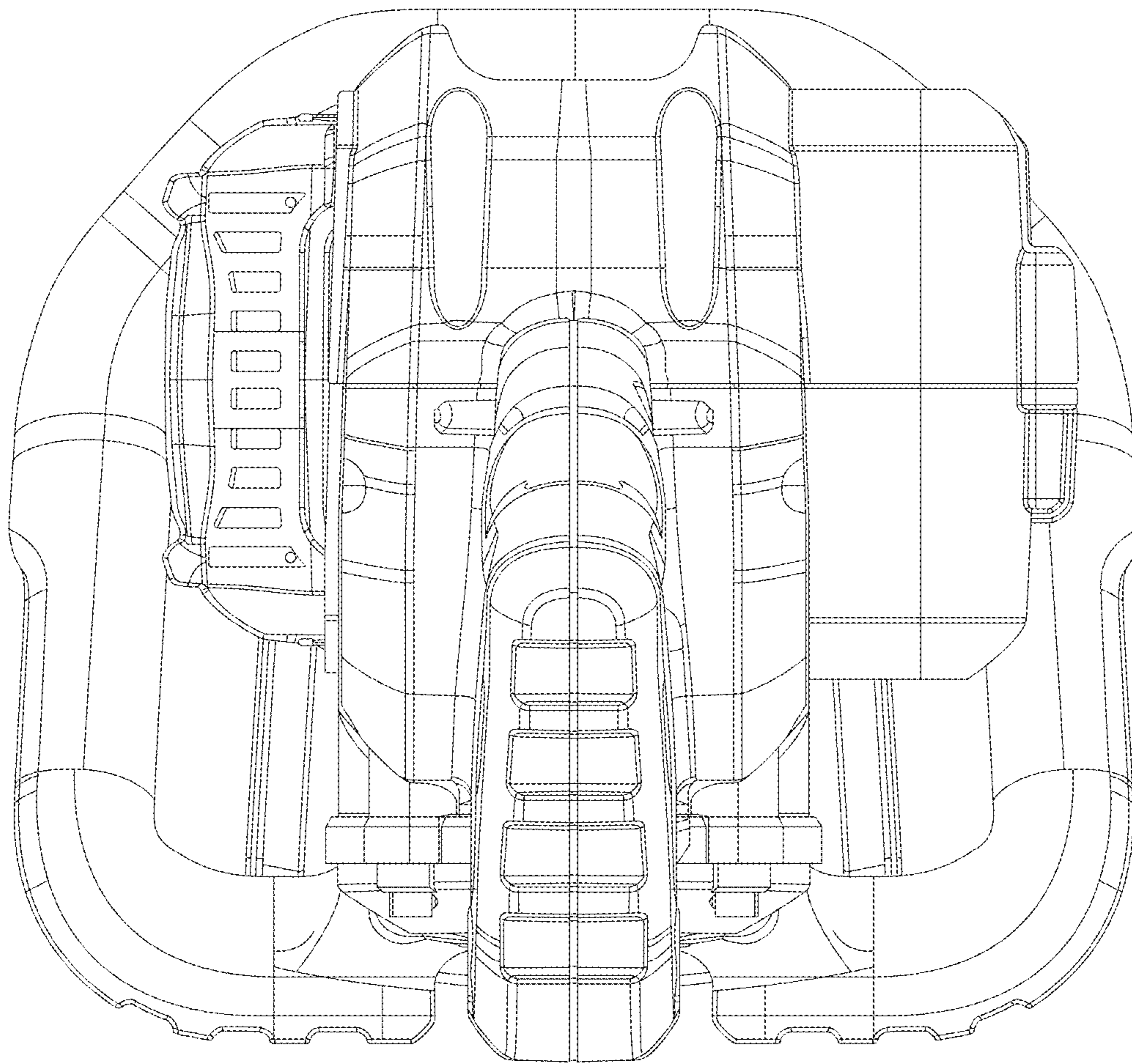


FIG. 6

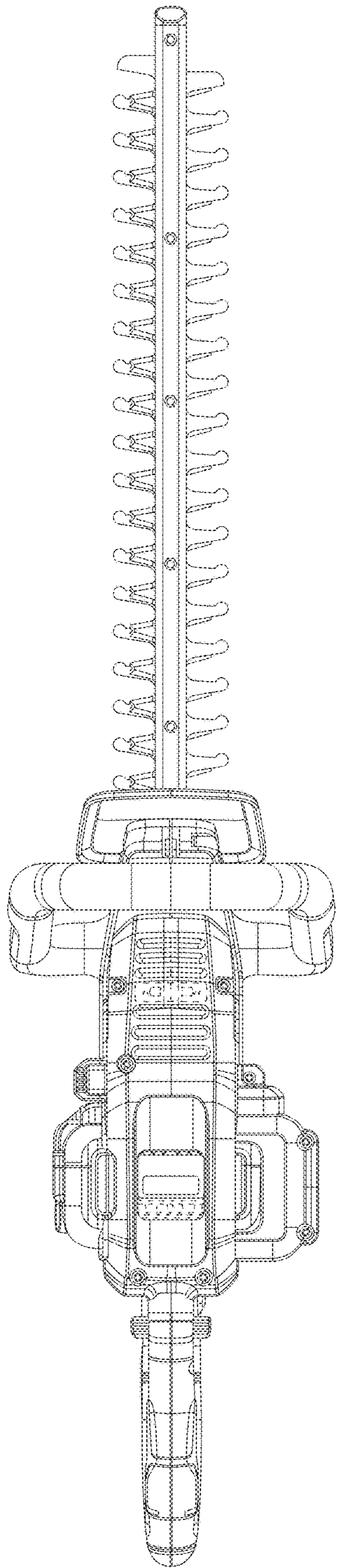


FIG. 7



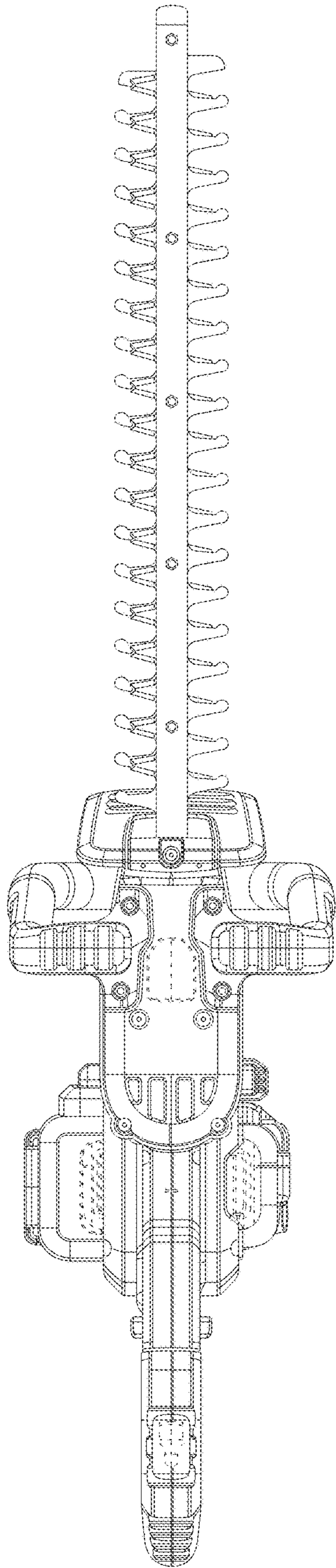


FIG. 8