



US00D786029S

(12) **United States Design Patent**
Pannell

(10) **Patent No.:** **US D786,029 S**

(45) **Date of Patent:** **** May 9, 2017**

- (54) **BOTTLE RACK FOR A COOLER**
- (71) Applicant: **Dennis D. Pannell**, Enid, OK (US)
- (72) Inventor: **Dennis D. Pannell**, Enid, OK (US)
- (**) Term: **14 Years**
- (21) Appl. No.: **29/500,225**
- (22) Filed: **Aug. 22, 2014**
- (51) **LOC (10) Cl.** **07-06**
- (52) **U.S. Cl.**
USPC **D7/708**
- (58) **Field of Classification Search**
USPC D6/534, 682.2; D7/534, 546, 552.2,
D7/619.1, 701, 704, 707, 763; D19/77;
206/209; 211/4, 74; 220/509; 232/41 E
CPC A47B 73/00
See application file for complete search history.

D602,314 S * 10/2009 Stravitz D7/701
 7,896,451 B2 3/2011 Walsh
 2012/0279937 A1 11/2012 Sciuchetti

FOREIGN PATENT DOCUMENTS

CN 201210308575 A 1/2013

OTHER PUBLICATIONS

AliExpress, Creative 6 Bottle Acrylic wine rack wine cooler acrylic Decoration minimalist fashion Wine holder, [visited on Dec. 7, 2015], [URL: <http://www.aliexpress.com/item/Creative-6-Bottle-Acrylic-wine-rack-wine-cooler-acrylic-Decoration-minimalist-fashion-Wine-holder/32365273676.html>].*

* cited by examiner

Primary Examiner — Susan Bennett Hattan
Assistant Examiner — S. Bryan Reinholdt, Jr.
 (74) *Attorney, Agent, or Firm* — Robert C. Montgomery; Montgomery Patent & Design, LP.

(57) **CLAIM**

The ornamental design for a bottle rack for a cooler, as shown and described.

DESCRIPTION

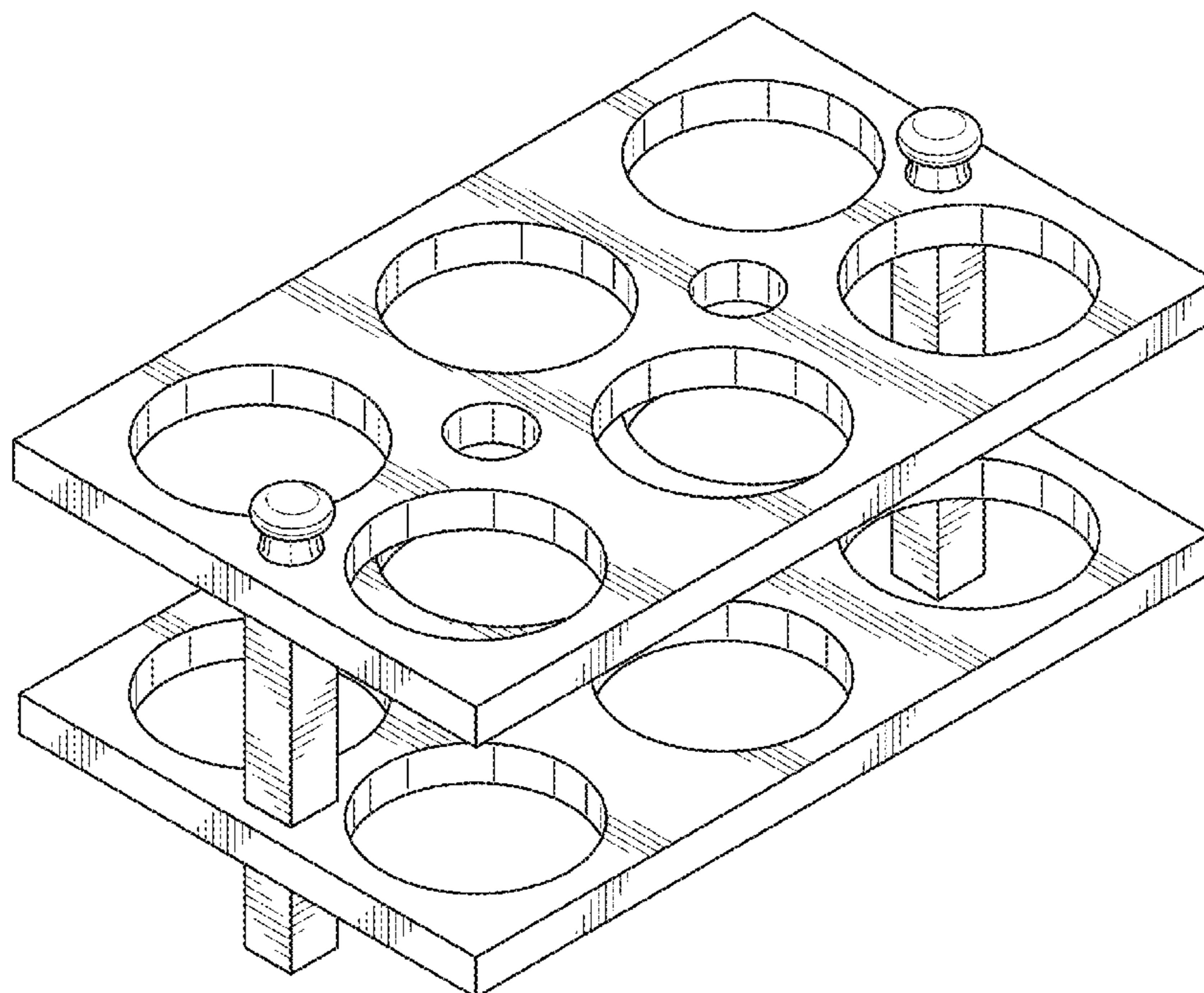
FIG. 1 is a perspective front view of the bottle rack for a cooler, showing my new design;
 FIG. 2 is a front side view thereof, wherein a back side view is a mirror image thereof;
 FIG. 3 is a right side view thereof, wherein a left side view is a mirror image thereof;
 FIG. 4 is a top side view thereof; and,
 FIG. 5 is a bottom side view thereof.

1 Claim, 5 Drawing Sheets

(56) **References Cited**

U.S. PATENT DOCUMENTS

- 308,217 A 11/1884 Truxall
- 1,344,252 A * 6/1920 Baehr A23L 3/10
211/74
- 2,271,702 A * 2/1942 McCartney B65D 71/0003
211/4
- 2,273,233 A 2/1942 Tanner
- D182,395 S * 4/1958 Ahlenius D6/682.2
- D224,435 S * 7/1972 Stravitz D6/682.2
- 4,482,065 A 11/1984 Altemose
- 5,437,165 A 8/1995 White et al.
- D414,991 S * 10/1999 Brown D7/701
- 6,135,297 A 10/2000 DeShazo et al.
- 6,361,129 B1 3/2002 Børgen



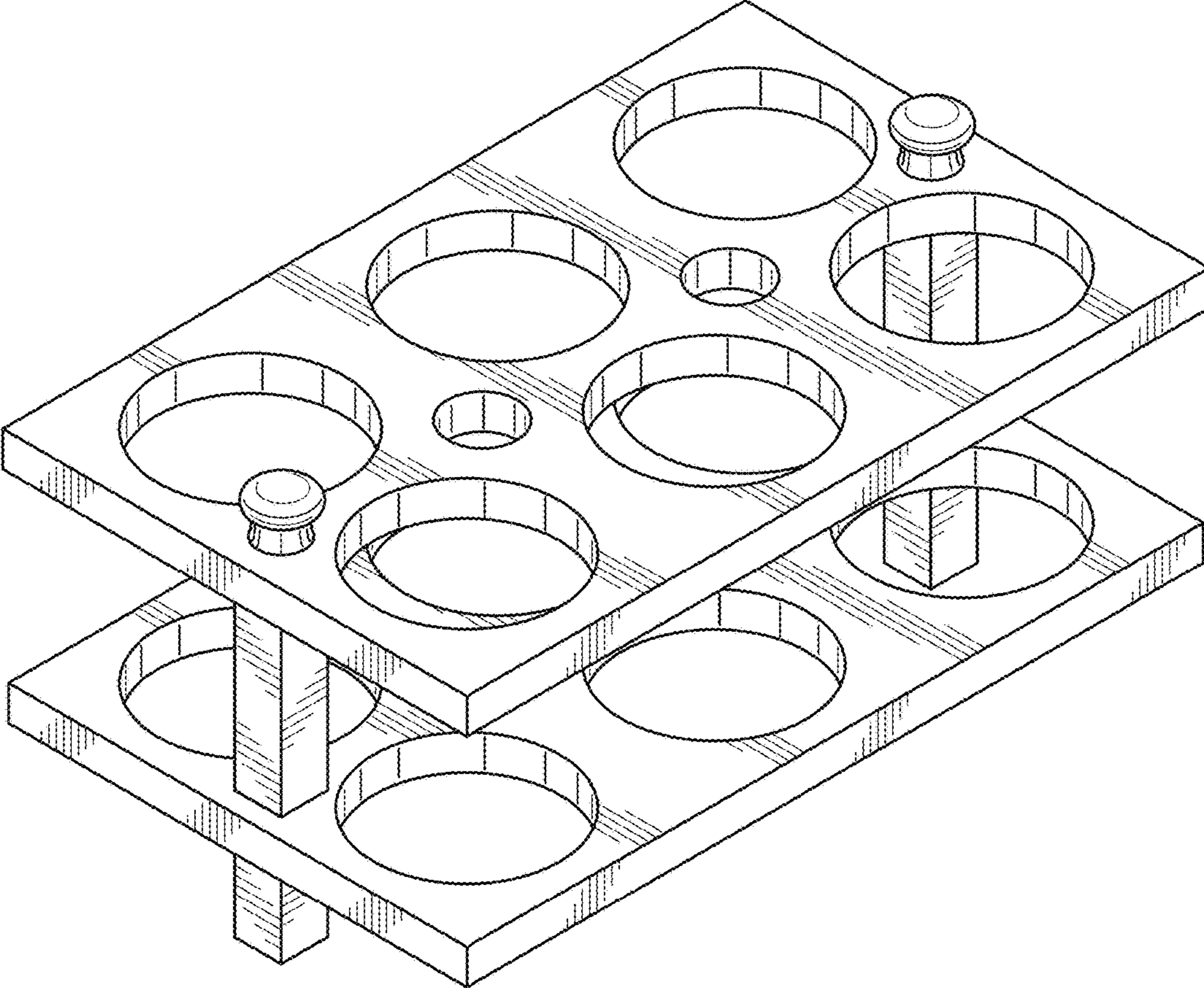


Fig. 1

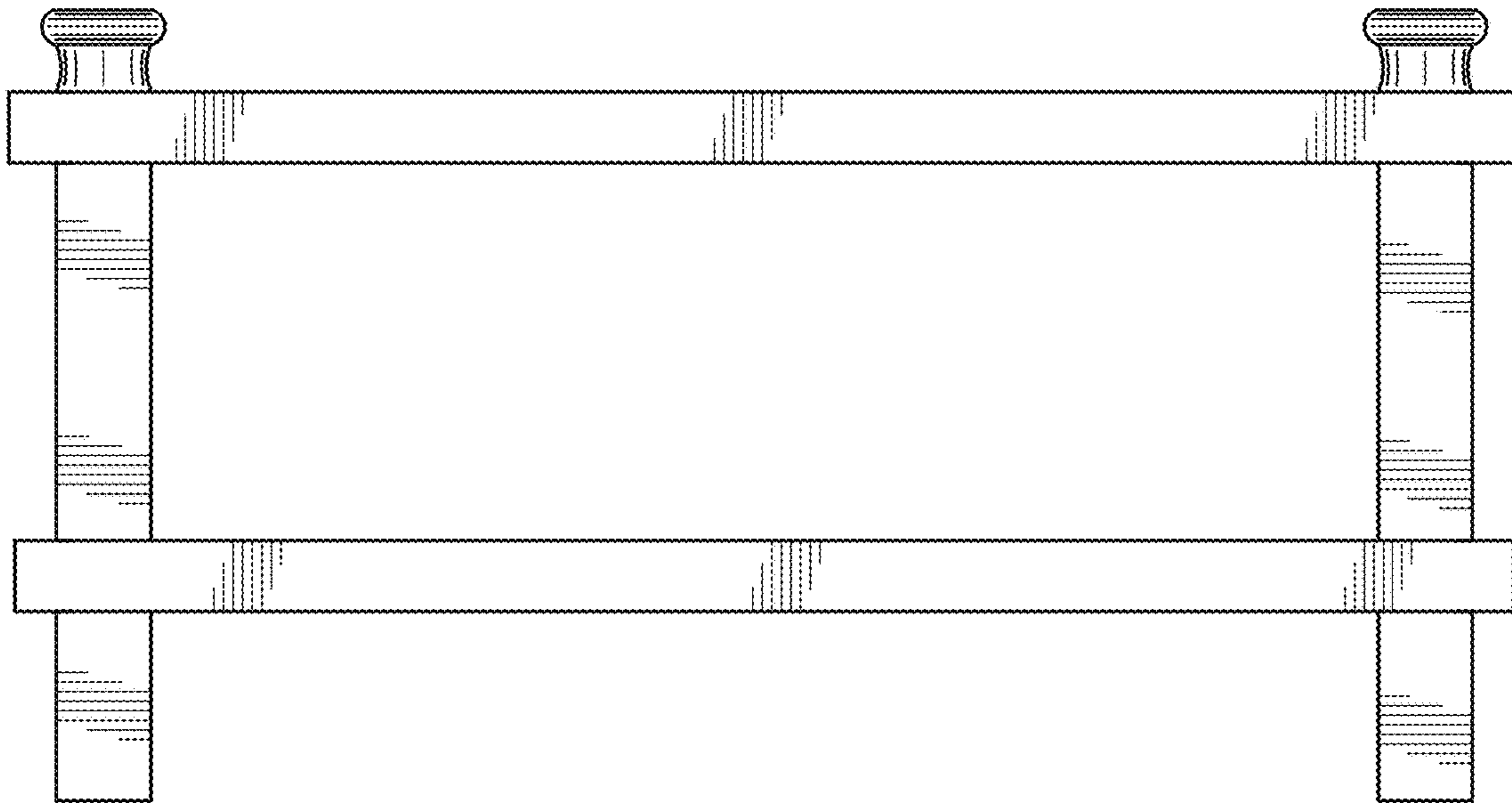


Fig. 2

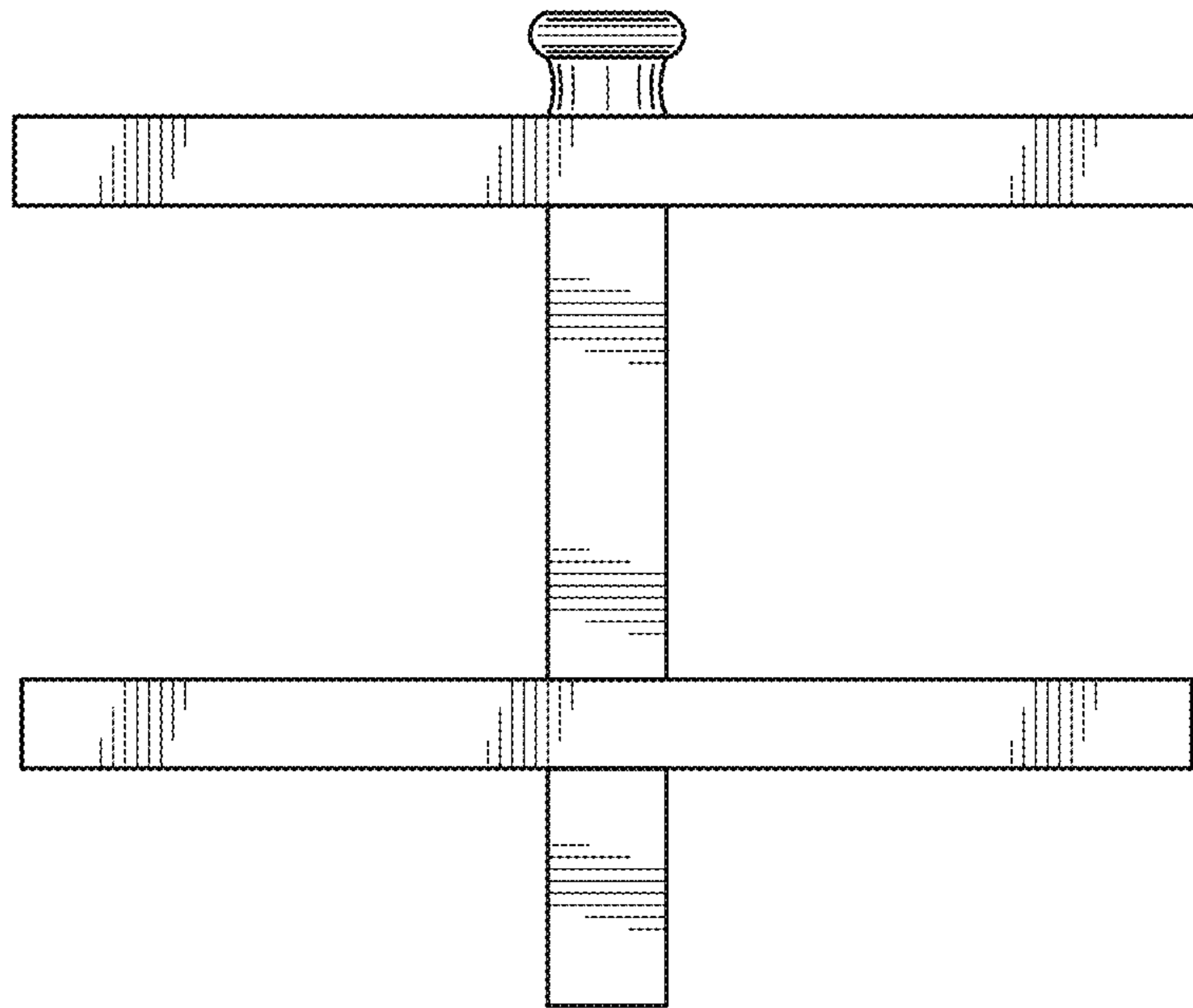


Fig. 3

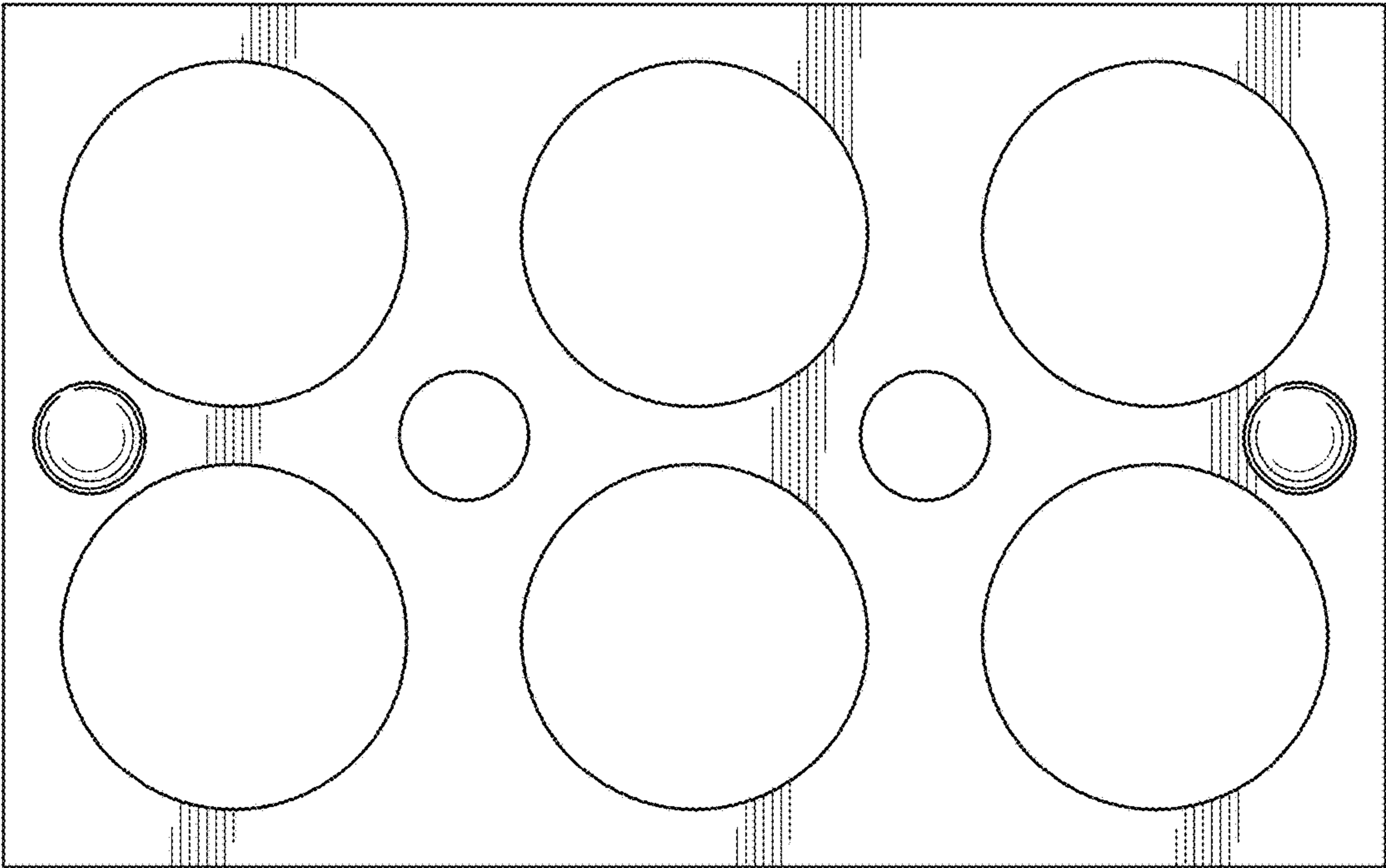


Fig. 4

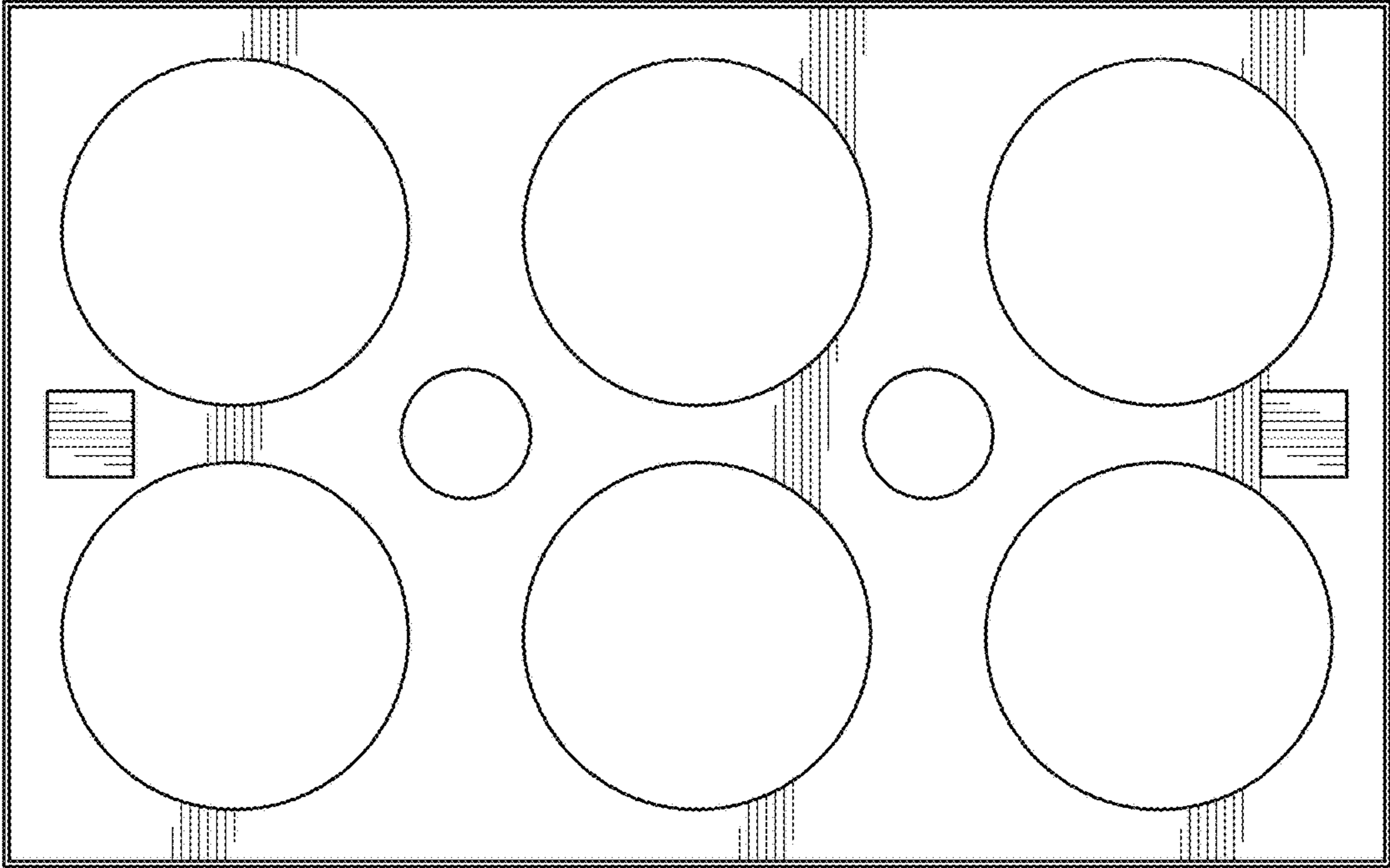


Fig. 5