



US00D786027S

(12) **United States Design Patent**
Kim et al.

(10) **Patent No.: US D786,027 S**

(45) **Date of Patent: ** May 9, 2017**

(54) **BODY FOR JUICE EXTRACTOR**

(56) **References Cited**

(71) Applicant: **NUC ELECTRONICS CO., LTD,**
Daegu (KR)

U.S. PATENT DOCUMENTS

(72) Inventors: **Jong Boo Kim,** Daegu (KR); **In Young Kim,** Daegu (KR)

D439,105 S	*	3/2001	Naft	D7/386
D510,238 S	*	10/2005	Yen	D7/378
D640,502 S	*	6/2011	Picozza	D7/376
D665,633 S	*	8/2012	Kim	D7/665
D695,060 S	*	12/2013	Penaherrera	D7/376
D769,082 S	*	10/2016	Kim	D7/386

(**) Term: **15 Years**

* cited by examiner

(21) Appl. No.: **35/500,435**

(22) Filed: **Jun. 26, 2015**

Primary Examiner — Richard E Chilcot

(80) **Hague Agreement Data**

(57) **CLAIM**

Int. Filing Date: **Jun. 26, 2015**

The ornamental design for body for juice extractor, as shown and described.

Int. Reg. No.: **DM/087534**

Int. Reg. Date: **Jun. 26, 2015**

Int. Reg. Pub. Date: **Jan. 1, 2016**

DESCRIPTION

(51) **LOC (10) Cl.** **31-00**

(52) **U.S. Cl.**

CPC **A47J 19/027** (2013.01)

USPC **D7/665; D7/386; D7/412**

(58) **Field of Classification Search**

USPC **D7/665–668, 372, 381, 382, 386, 412**

CPC **A47J 19/02; A47J 19/027; A47J 19/00; A47J**

19/06; A47J 19/022; A47J 43/046; A47J

43/0794; A23N 1/00; A23N 1/02; A23N

1/003

1. Body for juice extractor

FIG. 1.1 is a first angle isometric projection of a body for a juice extractor showing our new design.

FIG. 1.2 is a front elevation view thereof;

FIG. 1.3 is a back elevation view thereof;

FIG. 1.4 is a left side elevation view thereof;

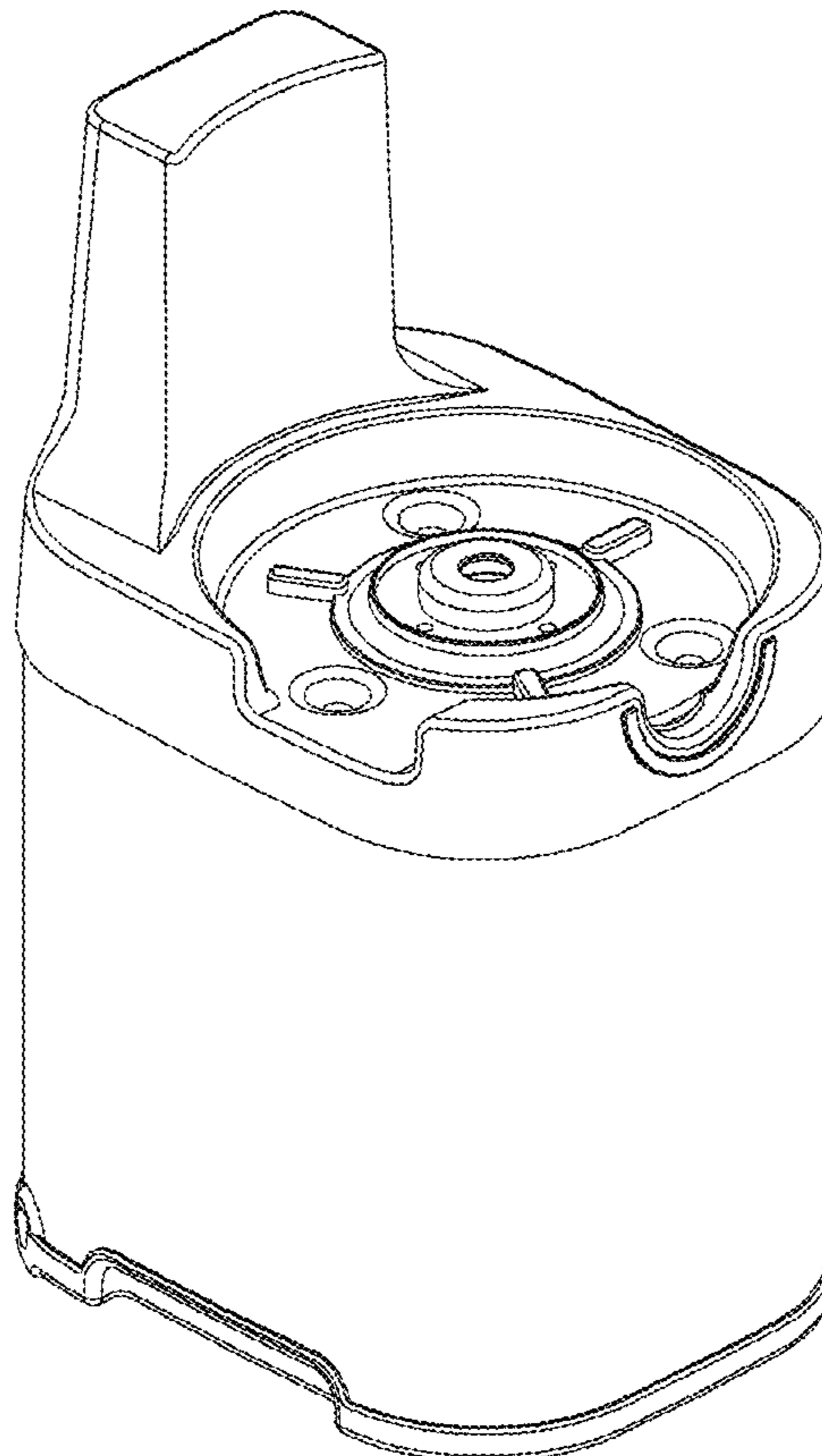
FIG. 1.5 is a right side elevation view thereof;

FIG. 1.6 is a top plan view thereof; and,

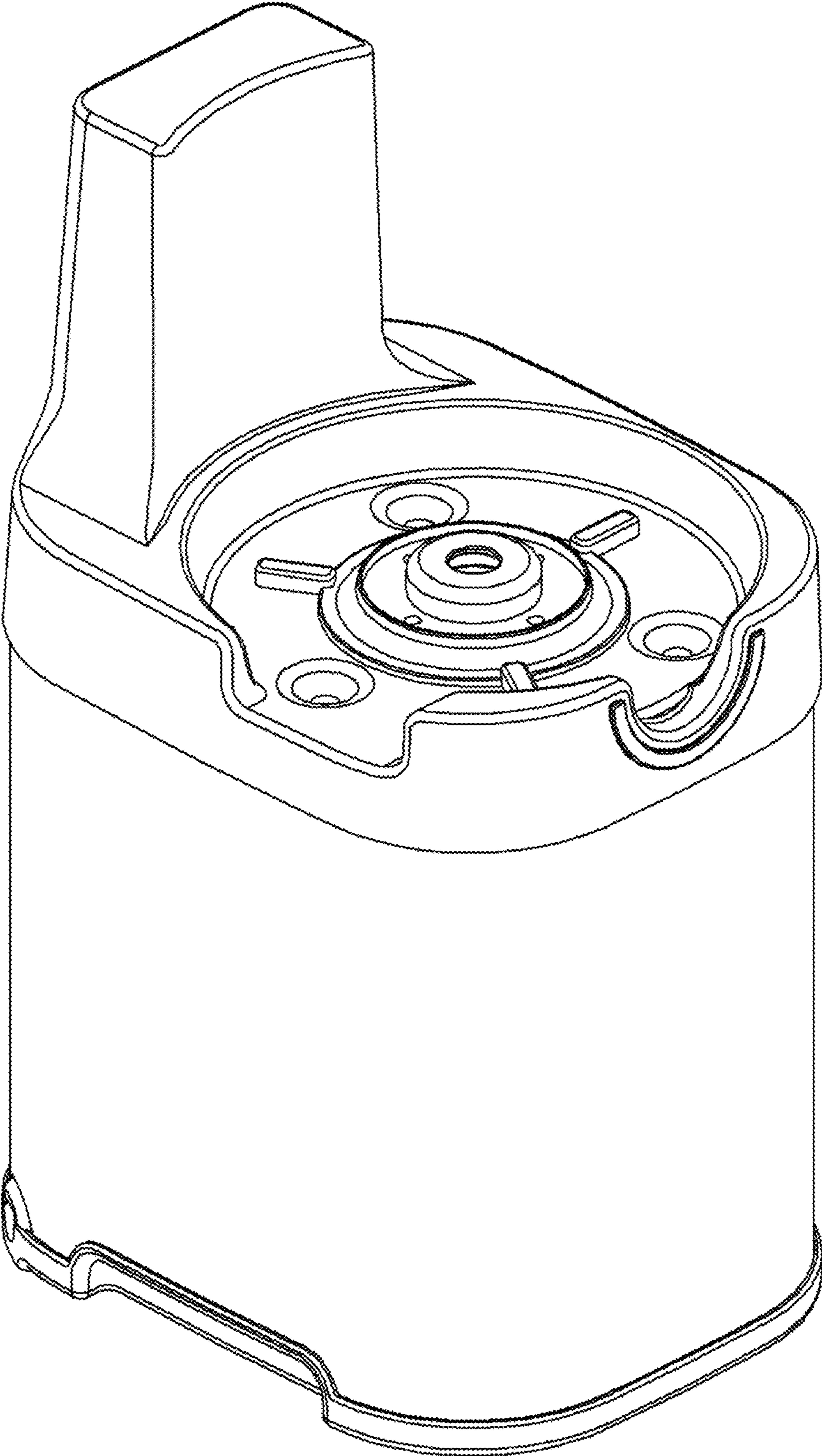
FIG. 1.7 is a bottom plan view thereof.

See application file for complete search history.

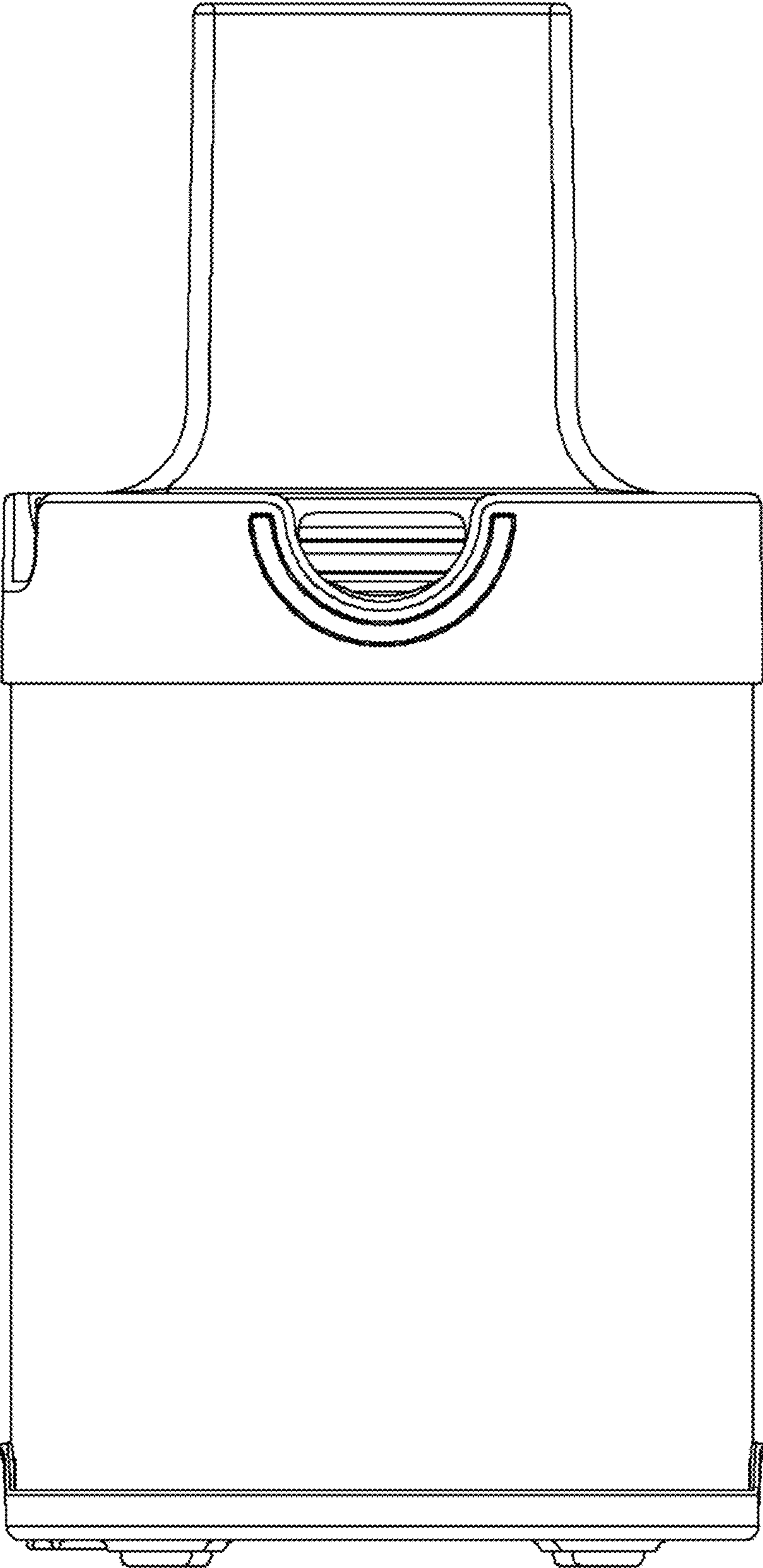
1 Claim, 7 Drawing Sheets



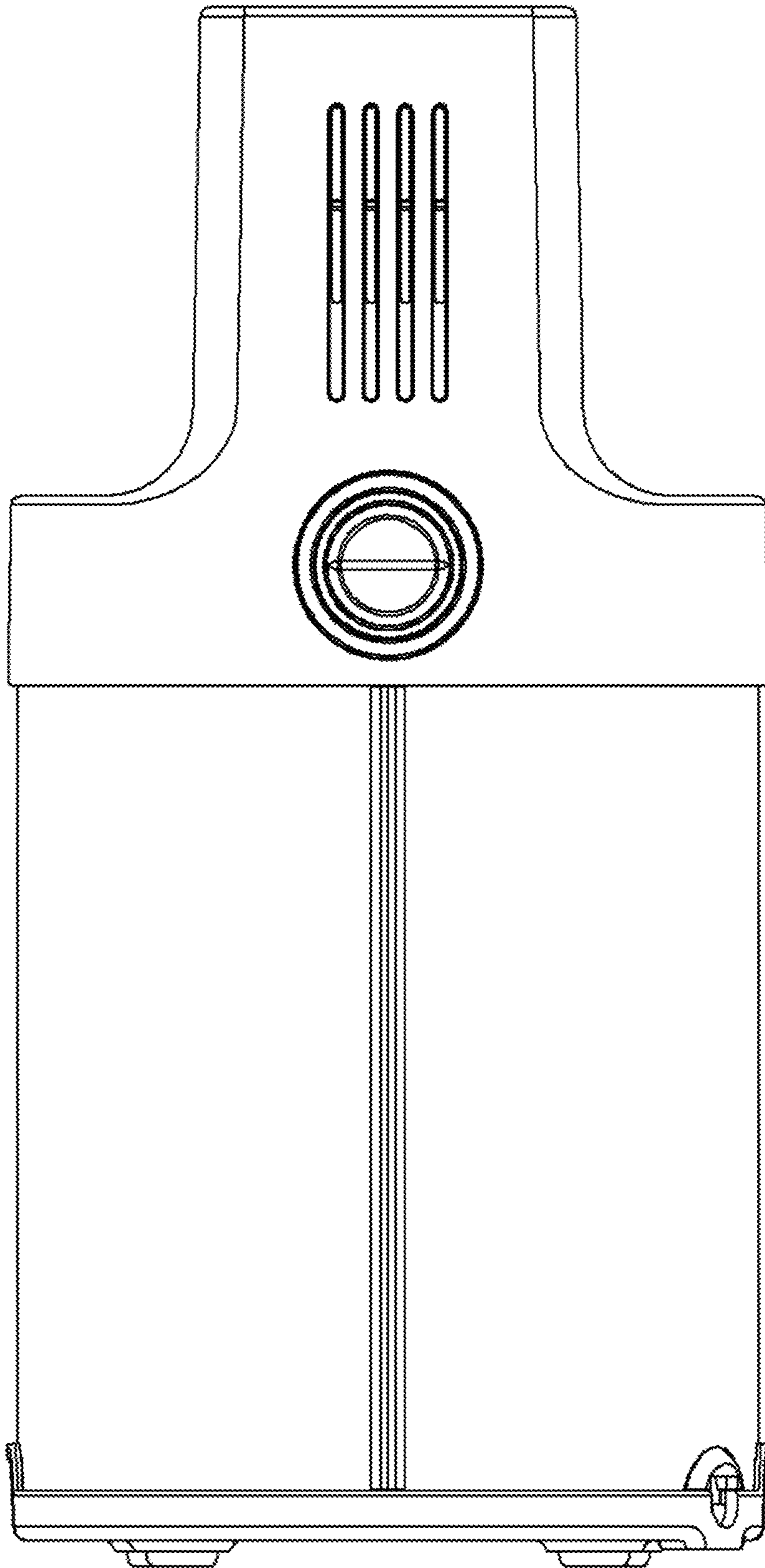
1.1



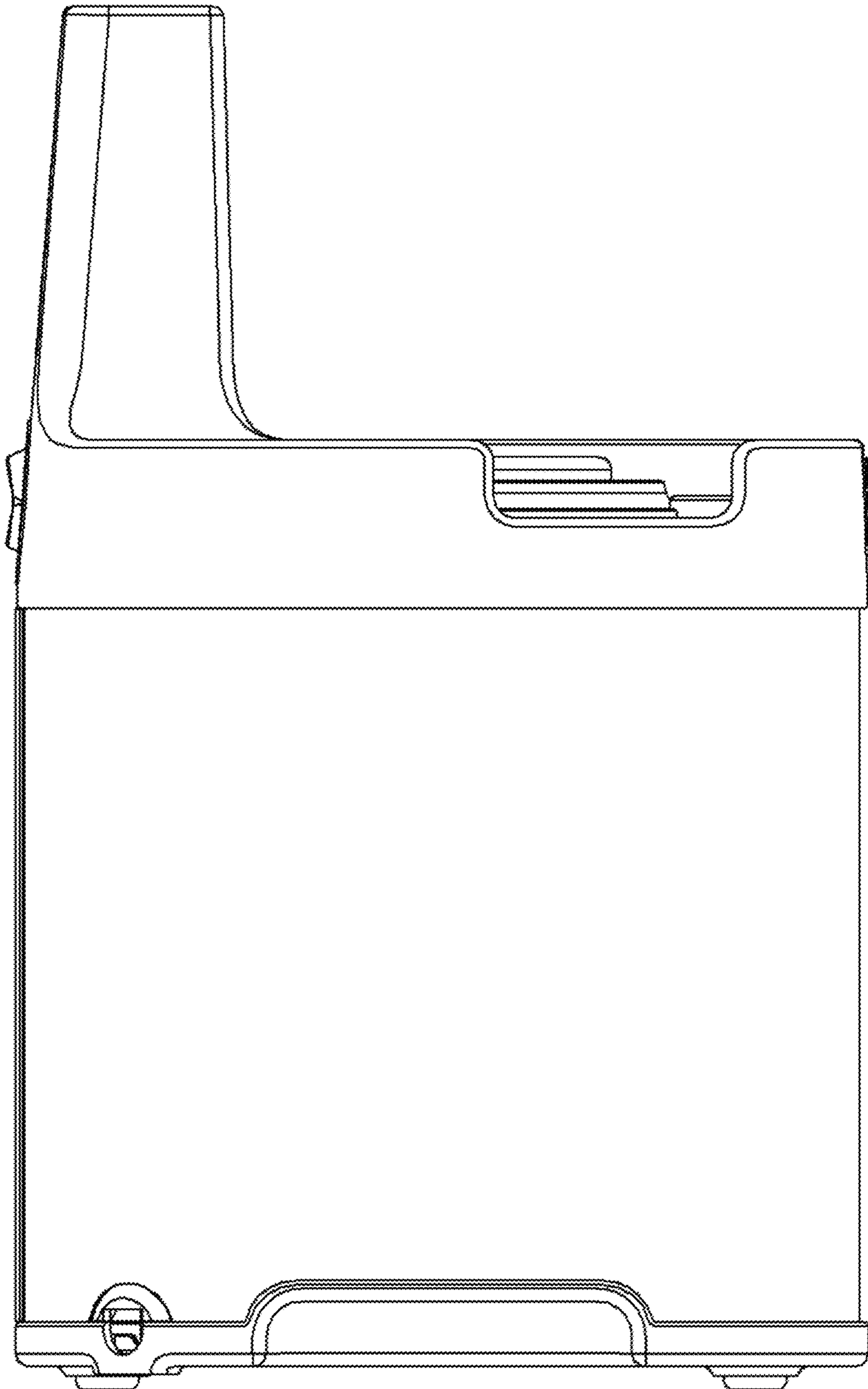
1.2



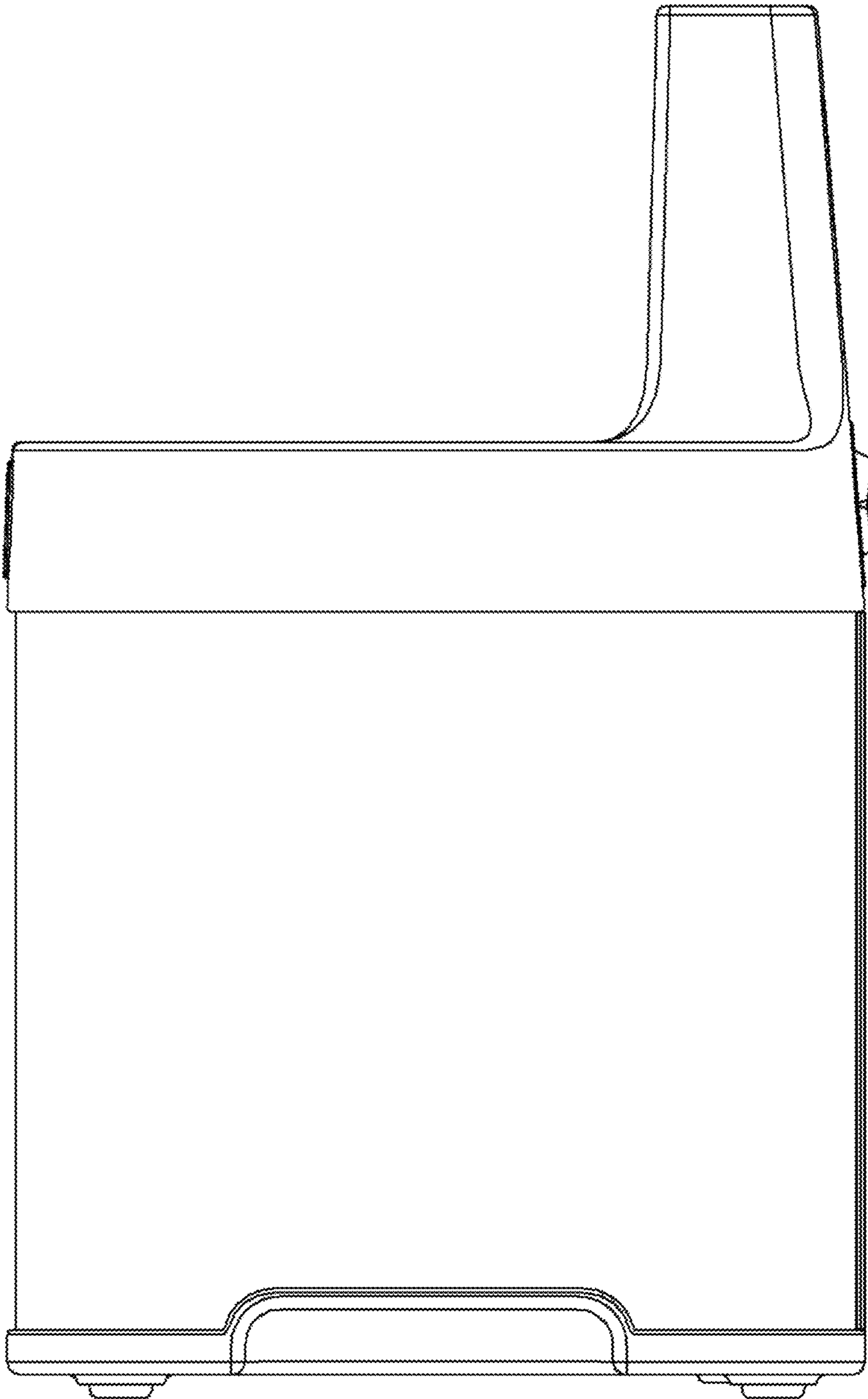
1.3



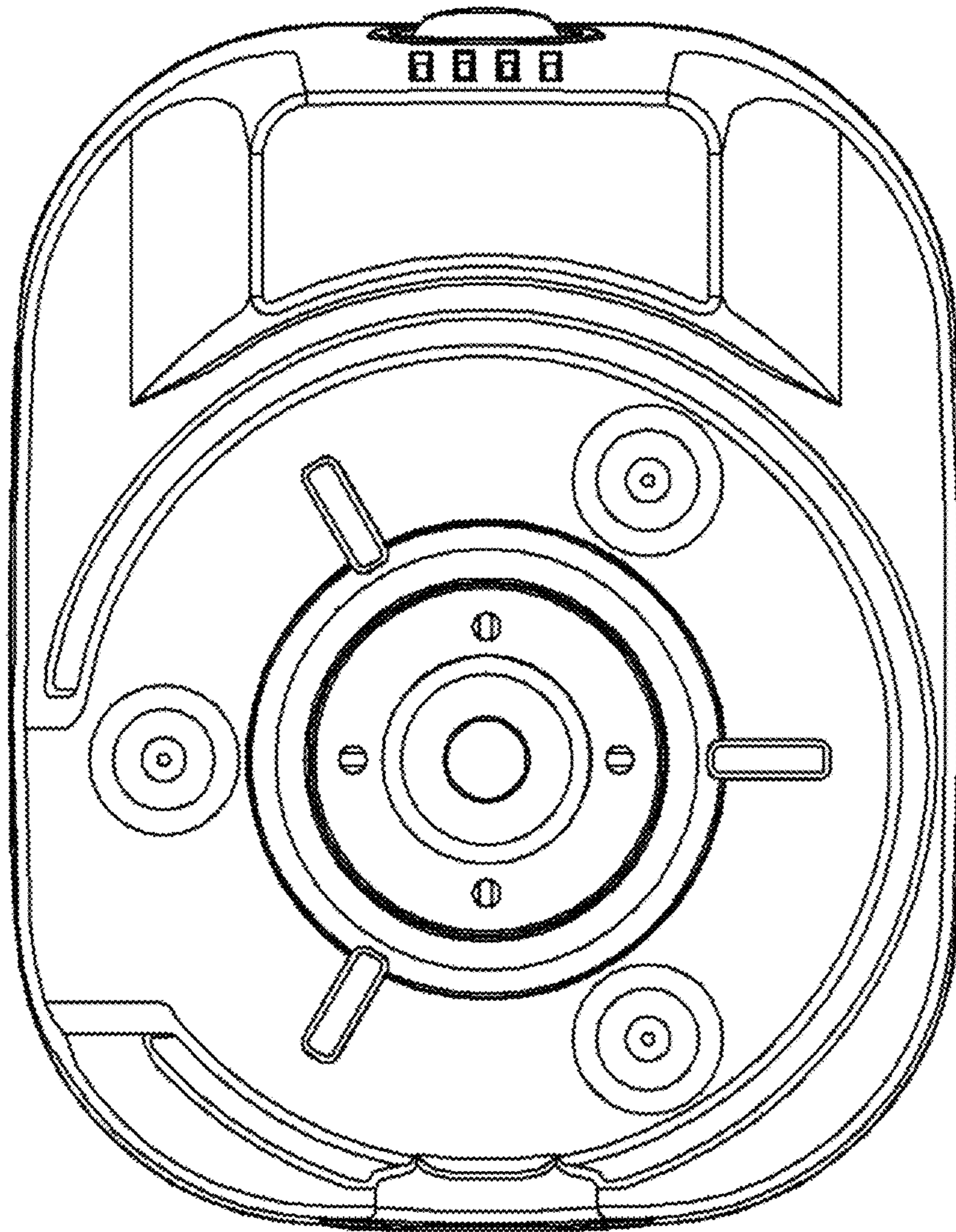
1.4



1.5



1.6



1.7

