



US00D786025S

(12) **United States Design Patent** (10) **Patent No.:** **US D786,025 S**
Seiders et al. (45) **Date of Patent:** **** *May 9, 2017**

- (54) **BEVERAGE HOLDER**
- (71) Applicant: **YETI Coolers, LLC**, Austin, TX (US)
- (72) Inventors: **Roy Joseph Seiders**, Rollingwood, TX (US); **John Alan Tolman**, Austin, TX (US)
- (73) Assignee: **YETI Coolers, LLC**, Austin, TX (US)
- (*) Notice: This patent is subject to a terminal disclaimer.
- (**) Term: **15 Years**
- (21) Appl. No.: **29/560,866**
- (22) Filed: **Apr. 11, 2016**

- D300,495 S 4/1989 Minuti
 - D301,821 S 6/1989 Bartolo
 - D322,753 S 12/1991 Sussman
 - D324,281 S 2/1992 Brusing
 - D324,976 S 3/1992 Katz
 - D327,093 S 6/1992 Evenson
 - D345,676 S 4/1994 Biffle
 - D370,300 S 5/1996 Gottvald et al.
 - D375,870 S 11/1996 Stonehouse
 - D404,974 S 2/1999 Kristinik
 - D405,609 S 2/1999 Fu et al.
 - D408,689 S 4/1999 Kato
 - D442,833 S * 5/2001 Shuman D7/608
 - D455,052 S * 4/2002 Gullickson D7/619.1
- (Continued)

Related U.S. Application Data

- (63) Continuation of application No. 29/540,989, filed on Sep. 29, 2015, which is a continuation of application No. 29/500,908, filed on Aug. 29, 2014, now Pat. No. Des. 752,397.
- (51) **LOC (10) Cl.** **07-01**
- (52) **U.S. Cl.**
USPC **D7/624.2; D7/606**
- (58) **Field of Classification Search**
USPC D7/619.1-625, 701-708, 603-608; D9/455
CPC B65D 81/3881; B65D 81/3886; A47G 23/0241; A47G 23/0266; A47G 19/2288
See application file for complete search history.

References Cited

U.S. PATENT DOCUMENTS

- D105,373 S 7/1937 Connor
- D246,029 S * 10/1977 Lynn D9/780
- D266,391 S 10/1982 Jordon
- D286,604 S 11/1986 Bierlein et al.

OTHER PUBLICATIONS

“Hooler the handheld cooler”, published on Apr. 12, 2014, retrieved from <https://web.archive.org/web/20140412062054/http://www.hoolercooler.com/> on Aug. 4, 2015.

(Continued)

Primary Examiner — Terry Wallace
(74) *Attorney, Agent, or Firm* — Banner & Witcoff, Ltd.

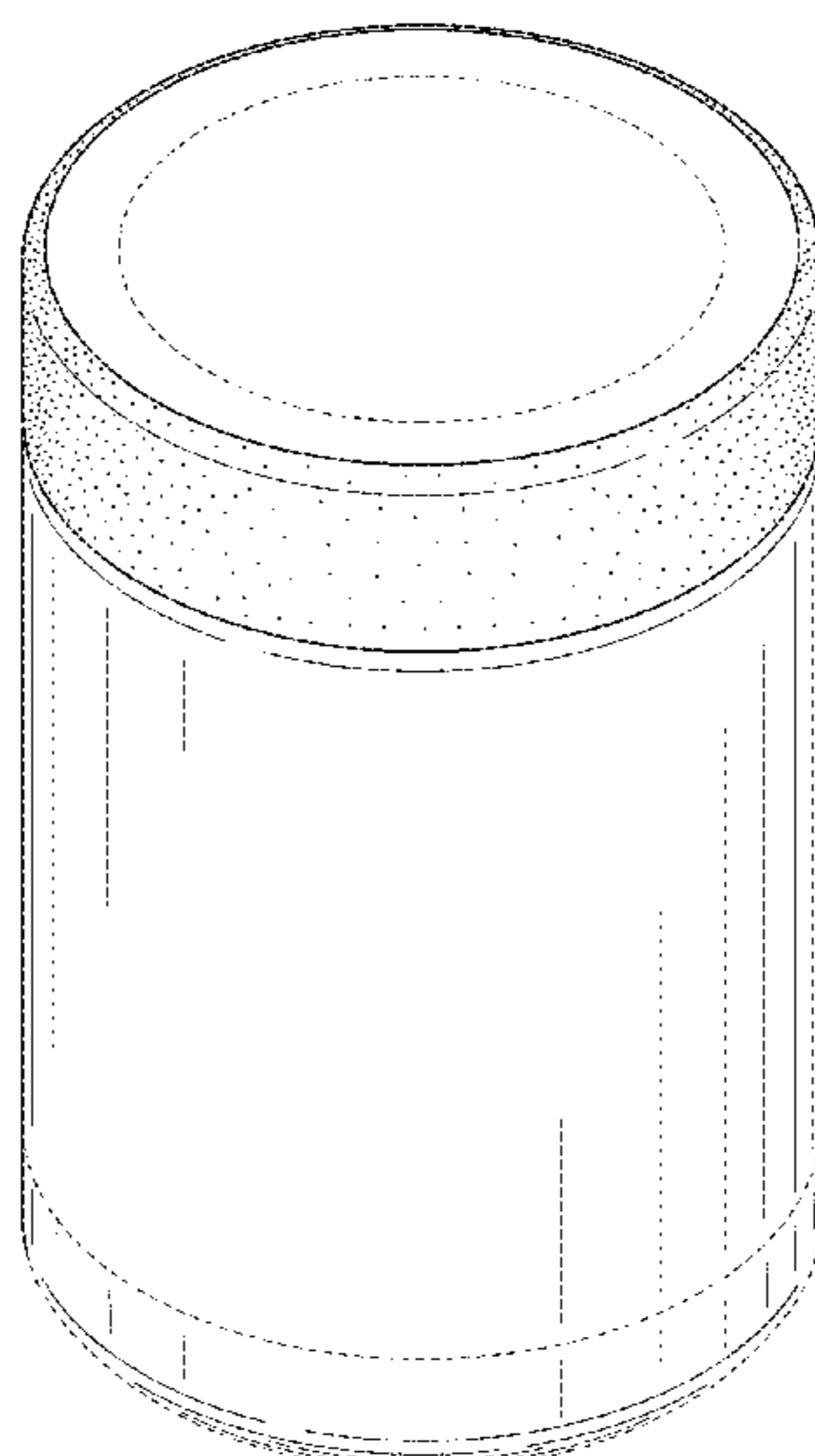
(57) **CLAIM**

The ornamental design for a beverage holder, as shown and described.

DESCRIPTION

FIG. 1 is a top, front, right perspective view of a beverage holder showing our new design;
FIG. 2 is a front view thereof;
FIG. 3 is a right side view thereof;
FIG. 4 is a rear view thereof;
FIG. 5 is a left side view thereof; and,
FIG. 6 is a top view thereof.
The broken lines showing the remainder of the beverage holder are for environmental purposes only and form no part of the claimed design.

1 Claim, 4 Drawing Sheets



(56)

References Cited

U.S. PATENT DOCUMENTS

D455,612 S *	4/2002	Gullickson	D7/619.1
D466,814 S	12/2002	Hurlburt	
D470,724 S	2/2003	Basara	
D471,064 S	3/2003	Renz	
D474,651 S	5/2003	Ward	
6,626,326 B2 *	9/2003	Murakami	B65D 81/3881 220/23.87
D483,995 S	12/2003	Otake	
D497,778 S	11/2004	Rich	
H002217 H	6/2008	Smay et al.	
D585,245 S	1/2009	Brouillette	
D593,372 S	6/2009	Carreno	
D593,811 S	6/2009	Carreno	
D617,608 S	8/2010	Yang et al.	
D622,554 S	8/2010	Carreno	
D629,657 S	12/2010	Carreno	
D641,591 S	7/2011	Tsukida	
D660,084 S	5/2012	Gilbert	
D660,655 S	5/2012	Wahl et al.	
D663,169 S	7/2012	Beggins et al.	
D666,061 S	8/2012	Ying	
8,251,247 B1 *	8/2012	Breckner	A47G 23/0241 220/592.16
D675,066 S	1/2013	Conlin et al.	
D679,960 S	4/2013	Hopkins et al.	
D680,387 S	4/2013	Hopkins et al.	
D682,625 S	5/2013	Lane	
D682,626 S	5/2013	Lane	
D685,231 S	7/2013	Lane	
D694,112 S	11/2013	Brown	
D695,138 S	12/2013	Ball	
D710,155 S	8/2014	Tatsukawa	
D715,101 S	10/2014	Grcic	
D719,788 S	12/2014	Soltz et al.	
D721,546 S	1/2015	Davidson	
D727,688 S *	4/2015	Hewitt	D7/608
D728,314 S	5/2015	Carstensen et al.	
D729,581 S	5/2015	Boroski	
D731,251 S	6/2015	Lane	
D732,347 S	6/2015	Katterheinrich et al.	
D734,096 S	7/2015	George et al.	

OTHER PUBLICATIONS

United States District Court Western District of Texas Austin Division, "Complaint for Damages and Injunctive Relief," *YETI Coolers, LLC v. Jennifer Leverage Bootz Evans d/b/a Bling and Burlap Buy In's and Blanks*, Case: 1:15-cv-00995, Document #1, filed Nov. 2, 2015, 128 pages.

United States District Court Western District of Texas Austin Division, "Order Dismissing Case," *YETI Coolers, LLC v. Jennifer Leverage Bootz Evans d/b/a Bling and Burlap Buy In's and Blanks*, Case: 1:15-cv-00995-RP, Document #18, filed Apr. 18, 2016, 1 page.

United States District Court Western District of Texas Austin Division, "Complaint for Damages and Injunctive Relief," *YETI*

Coolers, LLC v. RTIC Coolers, LLC, Case: 1:16-cv-00264, Document #1, filed Mar. 2, 2016, 34 pages.

United States District Court Western District of Texas Austin Division, "Defendants' Answer and Counterclaims to YETI's First Amended Complaint for Damages and Injunctive Relief," *YETI Coolers, LLC v. RTIC Coolers, LLC, RTIC Drinkware, LLC, RTIC Web Services, LLC, Corporate Support & Fulfillment, LLC, John Jacobsen, and James Jacobsen*, Case: 1:16-cv-00264-RP, Document #25, filed Jun. 13, 2016, 42 pages.

United States District Court Western District of Texas Austin Division, "YETI Coolers, LLC's First Amended Complaint," *YETI Coolers, LLC v. RTIC Coolers, LLC, RTIC Drinkware, LLC, RTIC Web Services, LLC, Corporate Support & Fulfillment, LLC, John Jacobsen, and James Jacobsen*, Case: 1:16-cv-00264-RP, Document #15, filed May 16, 2016, 110 pages.

United States District Court Western District of Texas Austin Division, "Complaint for Damages and Injunctive Relief," *YETI Coolers, LLC v. Tree Leaf Marketing, LLC, d/b/a Big Frig*, Case: 1:16-cv-00699, Document #1, filed Jun. 17, 2016, 33 pages.

United States District Court Western District of Texas Austin Division, "Complaint for Damages and Injunctive Relief," *YETI Coolers, LLC v. Wal-Mart Stores, Inc.*, Case: 1:16-cv-00454, Document #1, filed Apr. 8, 2016, 29 pages.

United States District Court Western District of Texas Austin Division, "Joint Rule 26(f) Report and Discovery Plan," *YETI Coolers, LLC v. Wal-Mart Stores, Inc. and Olympia Tools International, Inc.*, Case: 1:16-cv-00454-RP, Document #29, filed Jul. 28, 2016, 8 pages.

United States District Court Western District of Texas Austin Division, "Olympia Tools International, Inc.'s Answer to YETI Coolers, LLC's First Amended Complaint," *YETI Coolers, LLC v. Wal-Mart Stores, Inc. and Olympia Tools International, Inc.*, Case: 1:16-cv-00454-RP, Document #28, filed Jul. 14, 2016, 12 pages.

United States District Court Western District of Texas Austin Division, "Wal-Mart Stores, Inc.'s Answer to First Amended Complaint," *YETI Coolers, LLC v. Wal-Mart Stores, Inc. and Olympia Tools International, Inc.*, Case: 1:16-cv-00454-RP, Document #22, filed Jun. 7, 2016, 13 pages.

United States District Court Western District of Texas Austin Division, "First Amended Complaint for Damages and Injunctive Relief," *YETI Coolers, LLC v. Wal-Mart Stores, Inc. and Olympia Tools International, Inc.*, Case: 1:16-cv-00454-RP, Document #17, filed May 24, 2016, 26 pages.

"Siskiyou Sports CCS48F Oklahoma Sooners Flame Can Cooler", published on Jul. 9, 2014, retrieved from <<http://www.sears.com/siskiyou-sports-ccs48f-oklahoma-sooners-flame-can-cooler/p-SPM7376348303>> on Sep. 16, 2016.

"Mini Keg Coozies! Beer Inside Kegs!", published by Chad Dukes on Dec. 18, 2013, retrieved from <<http://beerandpig.com/category/beer/page/2/>> on Sep. 16, 2016.

"Stainless Steel Can Cooler", published on Apr. 6, 2014, retrieved from <<http://www.belpromo.com/nd/detail.php?c=34&p=KZSS001&s=mvp23g56>> on Sep. 22, 2016.

"Stanley Vacuum Insulated Container—Thermos bottle", published on Feb. 24, 2012, retrieved from <<https://www.youtube.com/watch?v=UCMjqZiNU3o>> on Sep. 23, 2016.

* cited by examiner

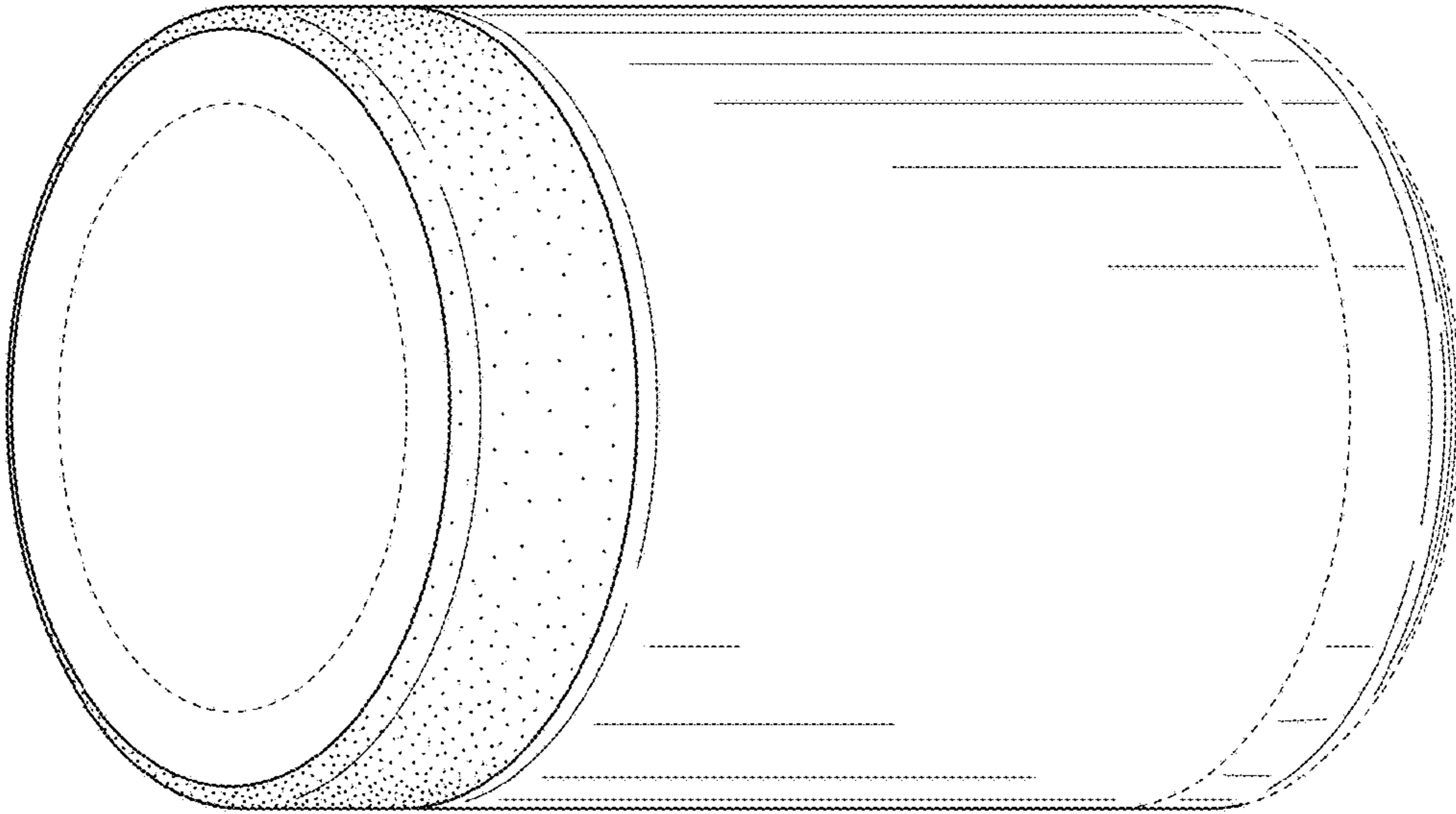


FIG. 1

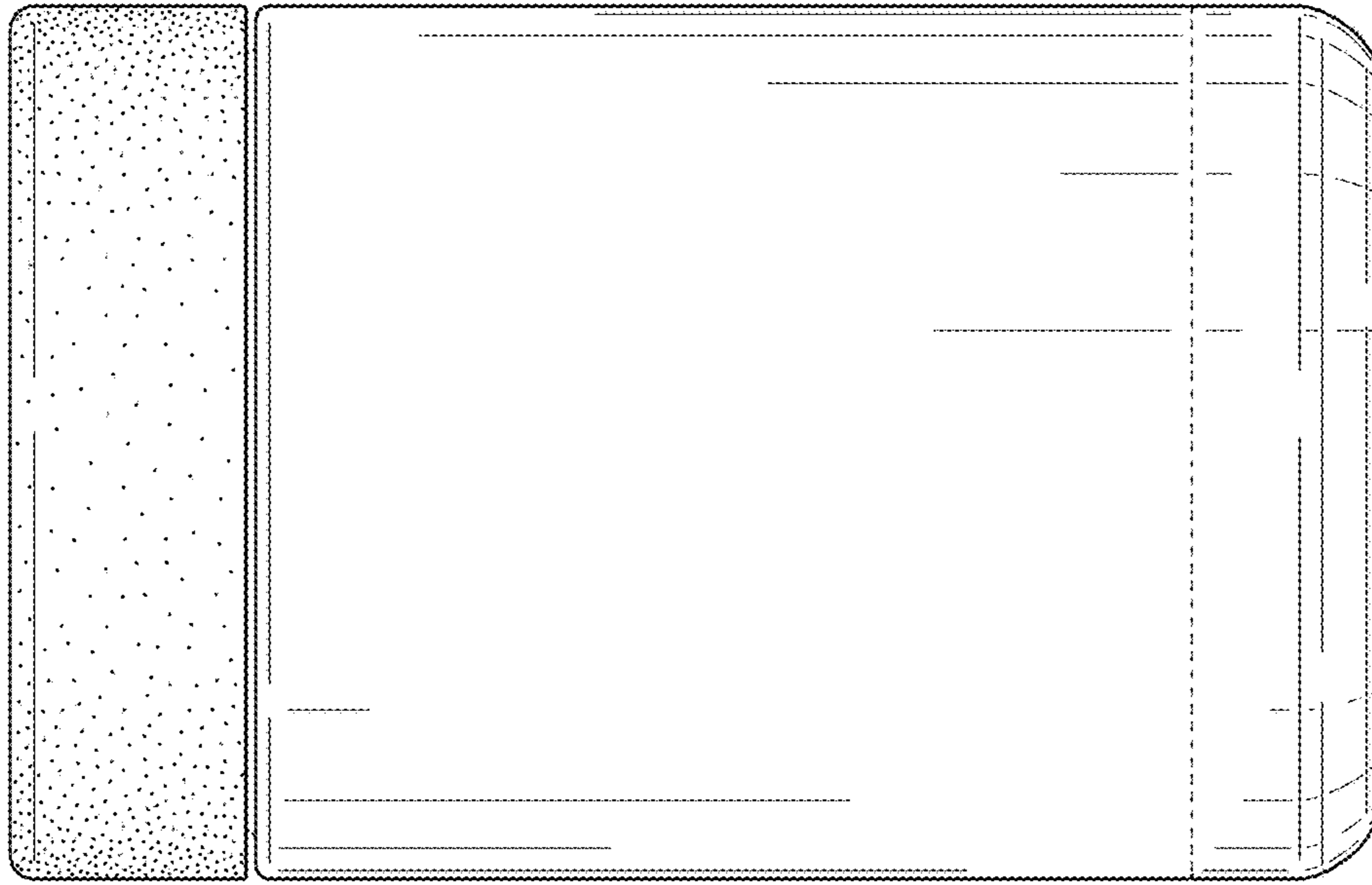


FIG. 3

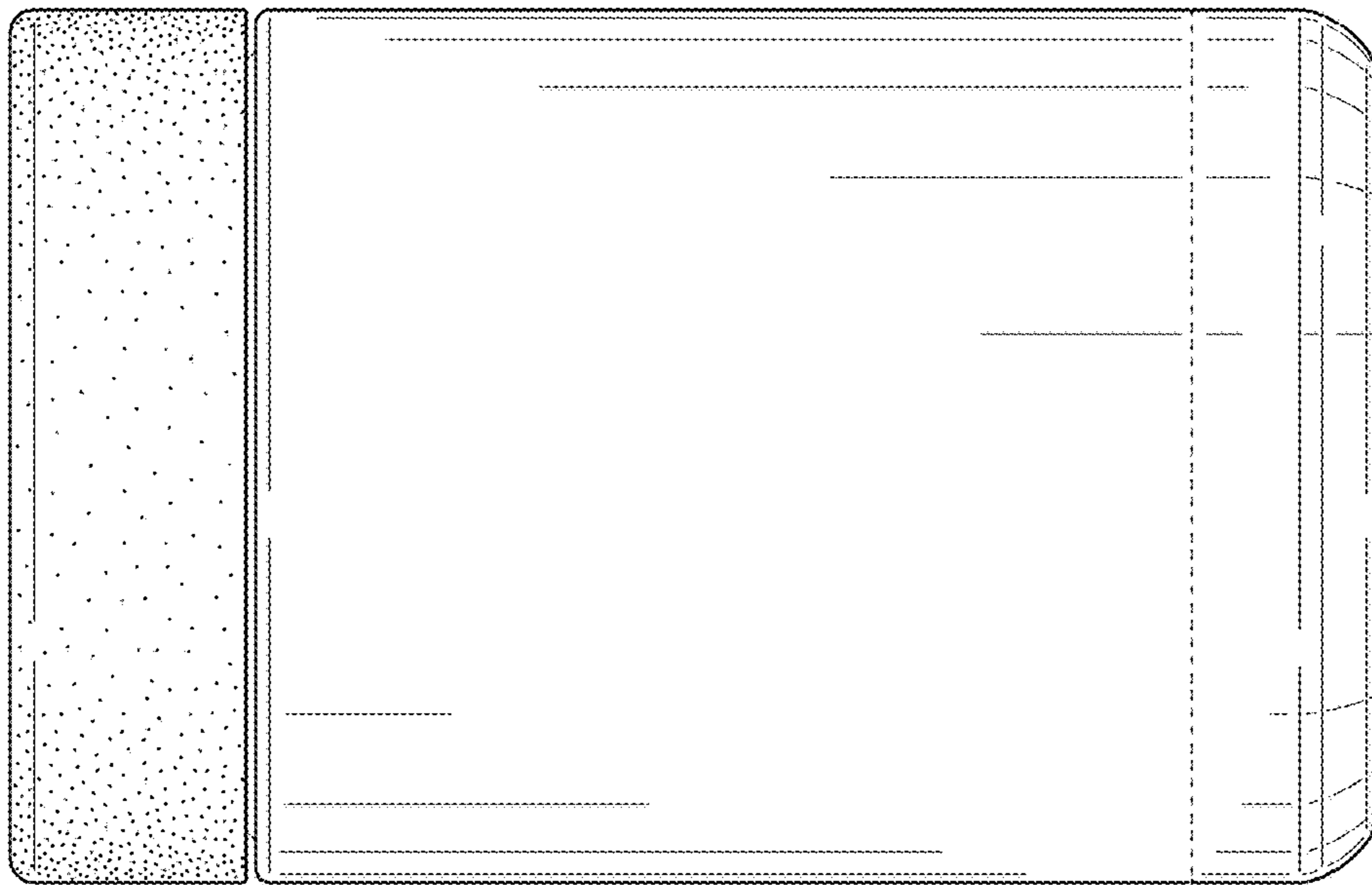


FIG. 2

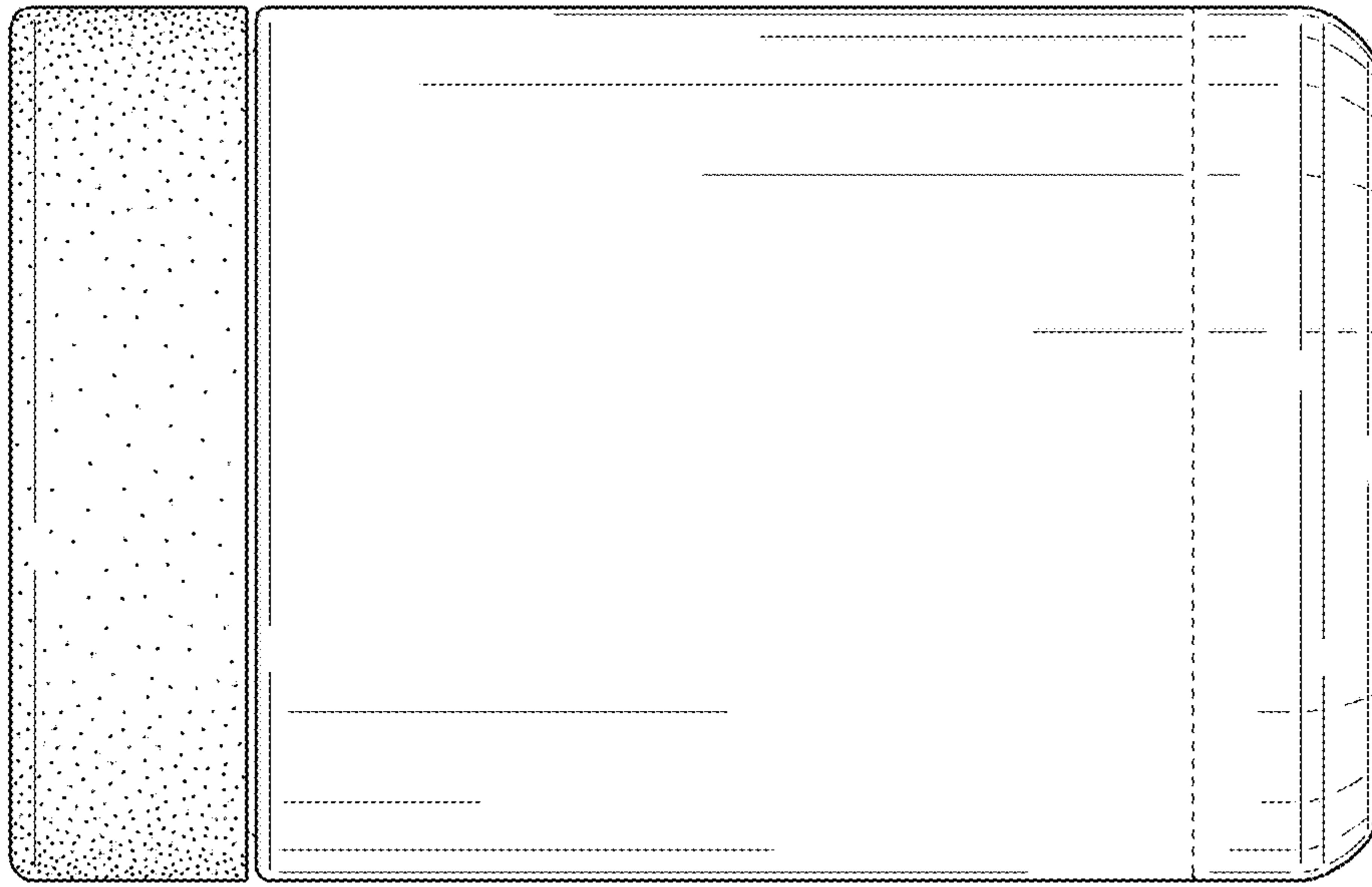


FIG. 5

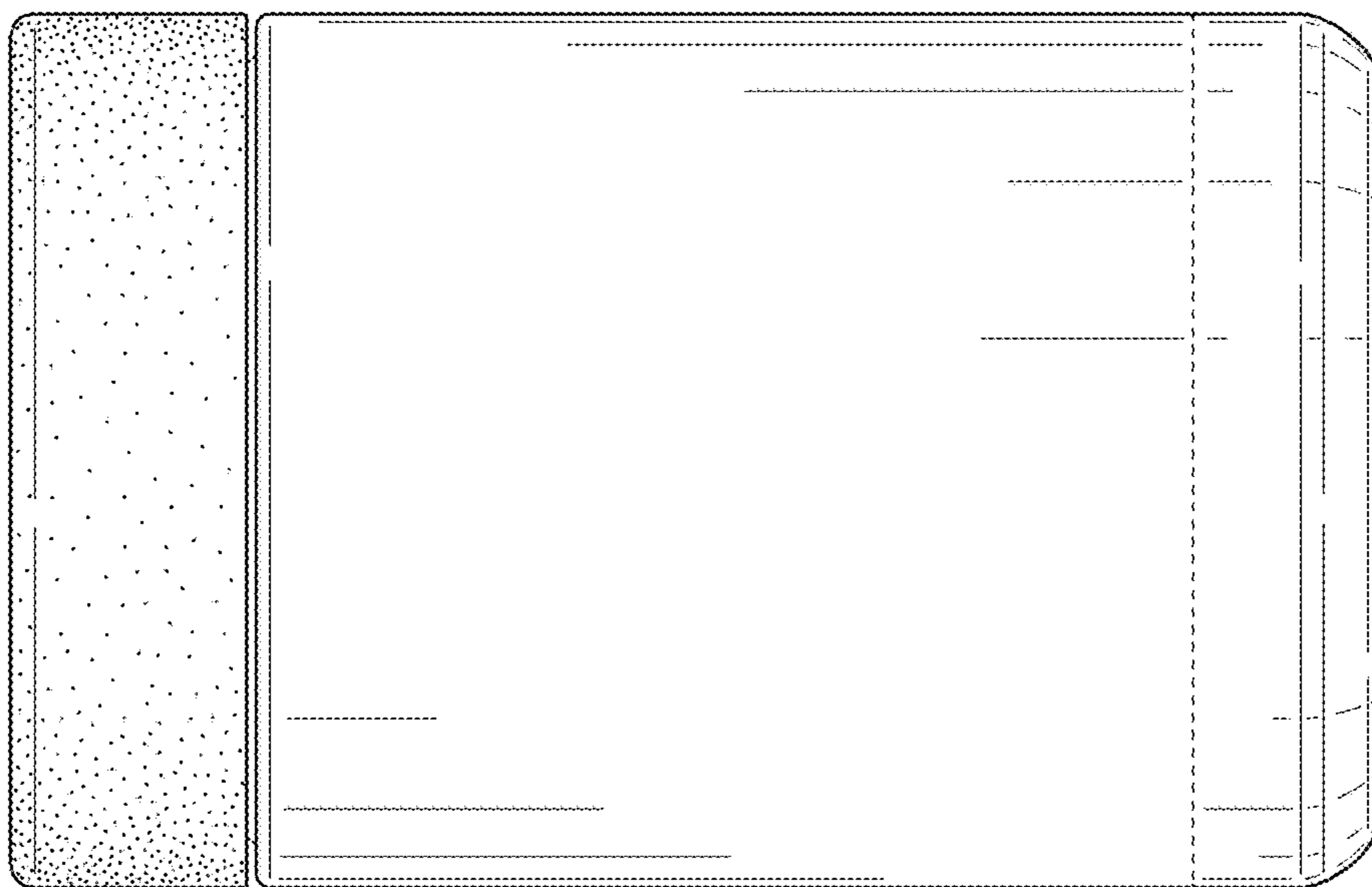


FIG. 4

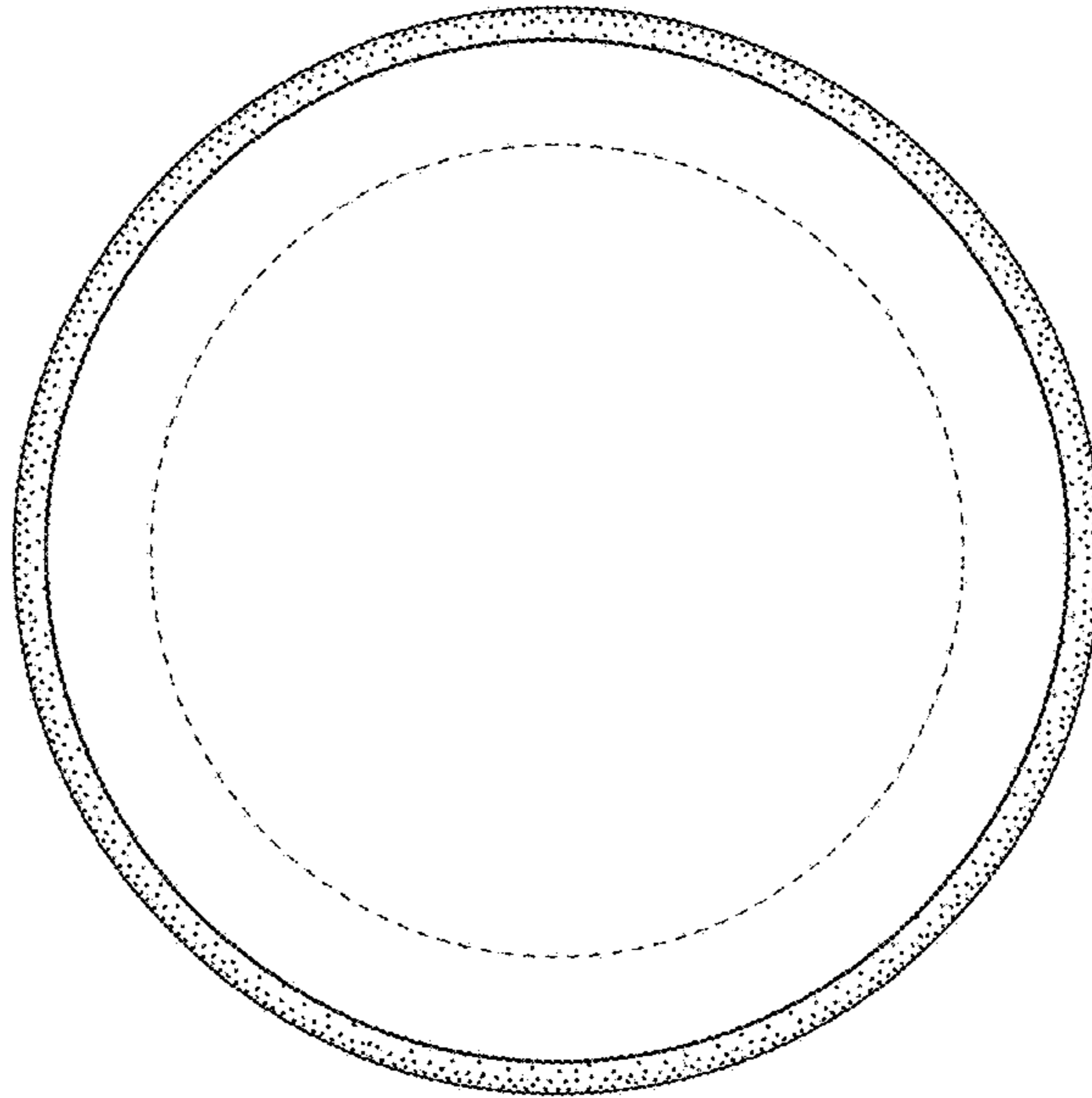


FIG. 6