



US00D786023S

(12) **United States Design Patent**  
**Polack et al.**

(10) **Patent No.:** **US D786,023 S**

(45) **Date of Patent:** **\*\* \*May 9, 2017**

(54) **BEVERAGE HOLDER**

(71) Applicant: **Next Level Enterprises, LLC**,  
Lakewood, CO (US)

(72) Inventors: **Aaron Michael Polack**, Lakewood, CO  
(US); **Lawrence Joseph Witt**, Denver,  
CO (US); **Jeffrey Steel**, Carlstadt, NJ  
(US); **Chris Suess**, Carlstadt, NJ (US);  
**Vincent Sposito**, Carlstadt, NJ (US);  
**Carl Cetera**, Carlstadt, NJ (US)

(73) Assignee: **Next Level Enterprises, LLC**,  
Lakewood, CO (US)

(\*) Notice: This patent is subject to a terminal dis-  
claimer.

(\*\*) Term: **15 Years**

(21) Appl. No.: **29/534,432**

(22) Filed: **Jul. 28, 2015**

(51) **LOC (10) Cl.** ..... **07-06**

(52) **U.S. Cl.**  
USPC ..... **D7/619.1**

(58) **Field of Classification Search**  
USPC ..... D7/601, 602, 619.1, 620, 701, 708.1,  
D7/608; D3/202, 229; D12/419, 420;  
220/737; 228/309.1, 310, 311.2, 313;  
297/188.14, 188.18; D9/455  
CPC ..... A47B 55/00; A47B 55/02; A47B 73/00;  
A47B 73/002; A47B 73/004; A47B  
73/006; A47B 73/008; A47B 69/00;  
A47G 23/0266; B65D 81/18; B65D  
81/3876; B65D 81/3886  
See application file for complete search history.

(56) **References Cited**

**U.S. PATENT DOCUMENTS**

3,574,957 A 4/1971 Bello-Bridick  
5,025,748 A 6/1991 Pettis

D375,230 S \* 11/1996 Bezella ..... D7/624.1  
D429,968 S \* 8/2000 Frankel ..... D7/608  
D455,052 S \* 4/2002 Gullickson ..... D7/619.1  
D455,320 S \* 4/2002 Edelstein ..... D7/619.1  
D455,612 S \* 4/2002 Gullickson ..... D7/619.1  
D478,479 S \* 8/2003 Garvin ..... D7/620  
7,000,801 B2 2/2006 Rodriguez  
7,040,623 B2 5/2006 Poffenberger  
D593,371 S \* 6/2009 Karam ..... D7/624.2  
7,628,315 B2 12/2009 Duncan  
7,891,665 B1 2/2011 Nathanson

(Continued)

**OTHER PUBLICATIONS**

U.S. Appl. No. 13/372,516, filed Oct. 13, 2011, Polack, et al.

*Primary Examiner* — Keli L Hill

(74) *Attorney, Agent, or Firm* — Rocky Mountain Patent,  
LLC

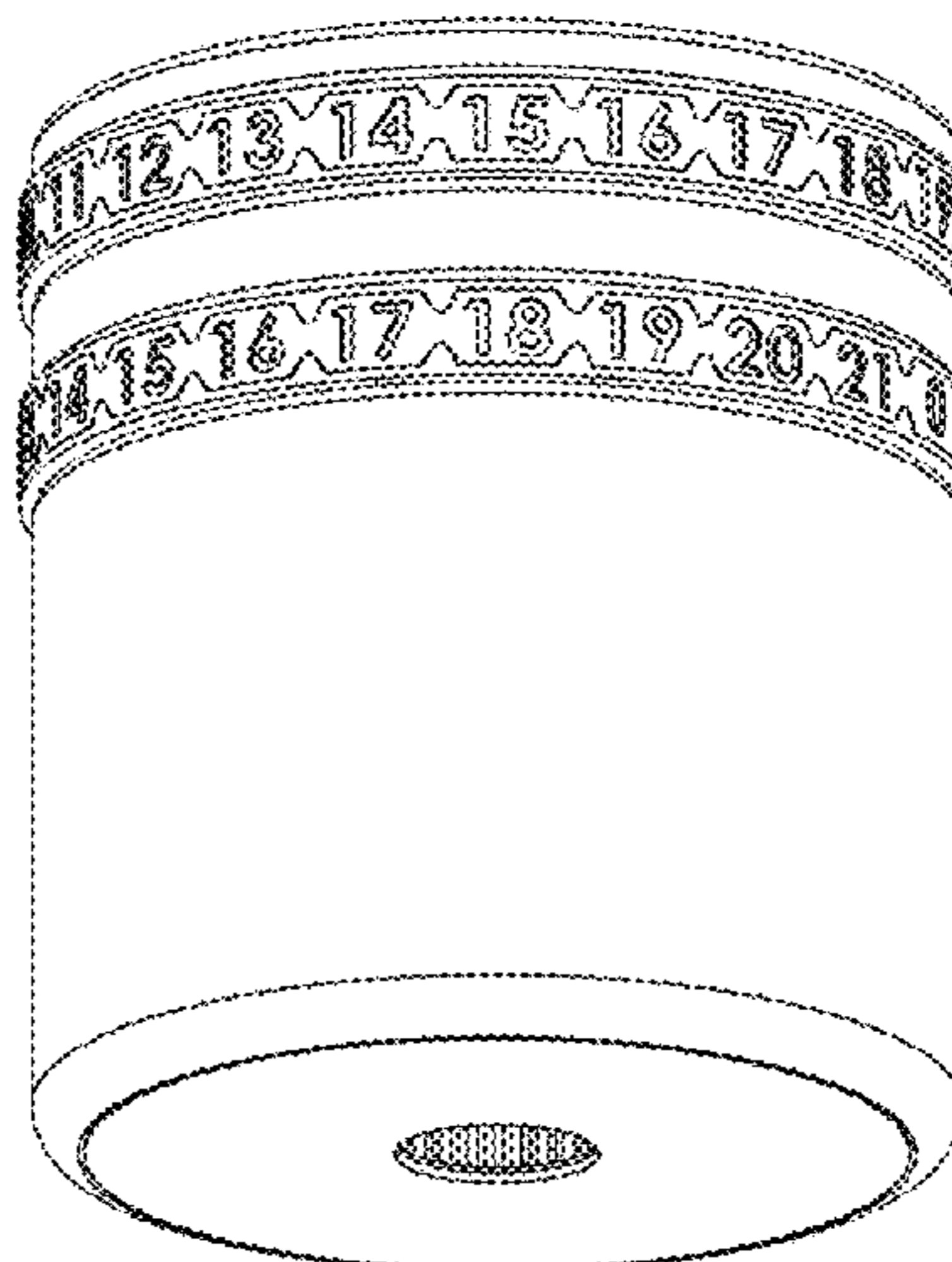
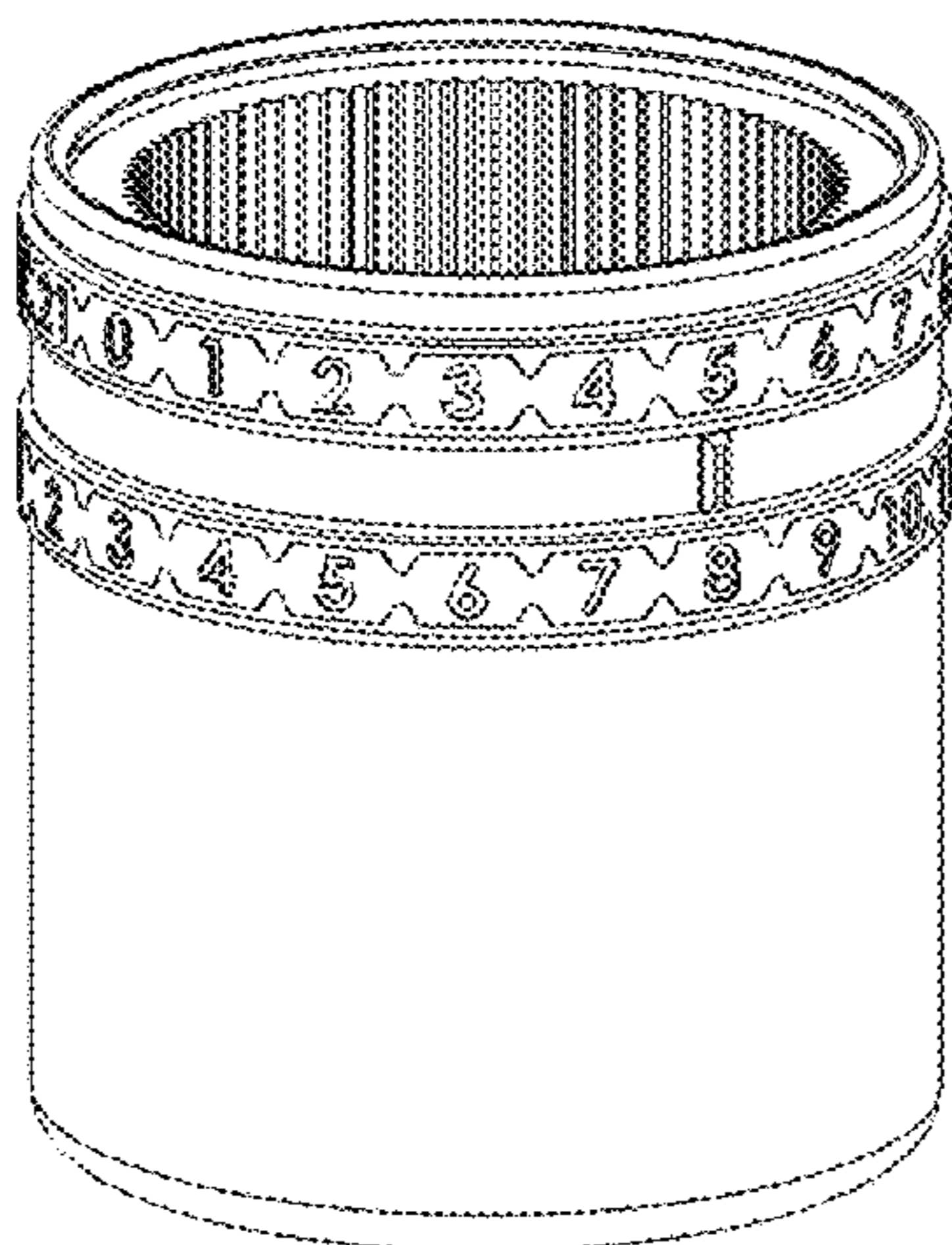
(57) **CLAIM**

The ornamental design for a beverage holder, as shown and  
described.

**DESCRIPTION**

FIG. 1. Top perspective view of one angle of the beverage  
holder.  
FIG. 2. Top perspective view of a second angle of the  
beverage holder.  
FIG. 3. Side view of one angle of the beverage holder.  
FIG. 4. Side view of a second angle of the beverage holder.  
FIG. 5. Side view of a third angle of the beverage holder.  
FIG. 6. Side view of a fourth angle of the beverage holder.  
FIG. 7. Top view of the beverage holder.  
FIG. 8. Bottom view of the beverage holder.  
FIG. 9. Bottom perspective view of one angle of the bev-  
erage holder; and,  
FIG. 10. Bottom perspective view of a second angle of the  
beverage holder.

**1 Claim, 5 Drawing Sheets**



(56)

**References Cited**

U.S. PATENT DOCUMENTS

8,251,247 B1 \* 8/2012 Breckner ..... A47G 23/0241  
220/592.16  
D752,397 S \* 3/2016 Seiders ..... D7/608  
2008/0023912 A1 1/2008 Gormally et al.  
2008/0099423 A1 5/2008 Koch  
2008/0164270 A1 7/2008 Puerini et al.  
2008/0285621 A1 11/2008 Rowen  
2012/0091158 A1 \* 4/2012 Polack ..... A63B 71/0672  
220/739

\* cited by examiner

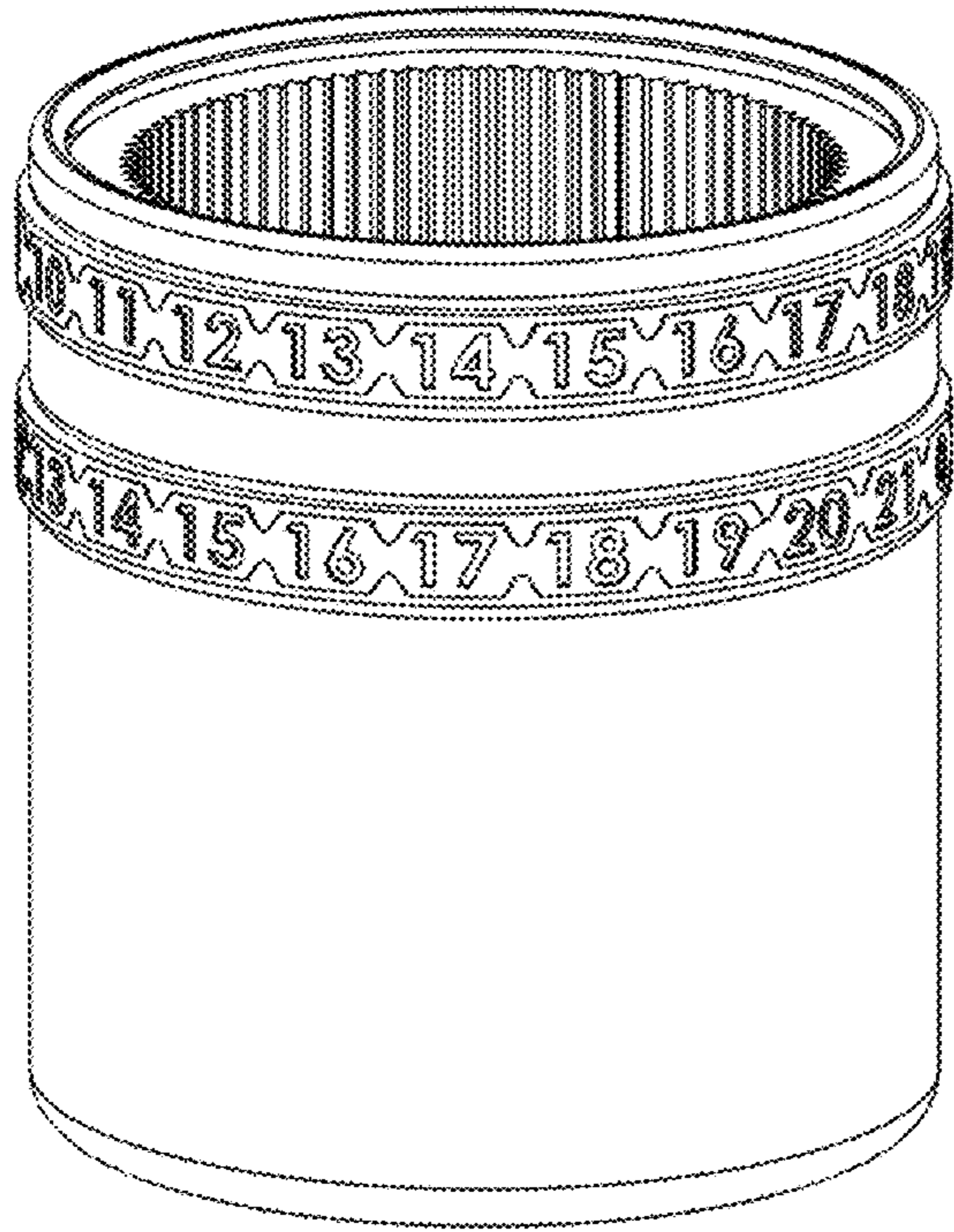


FIG. 1

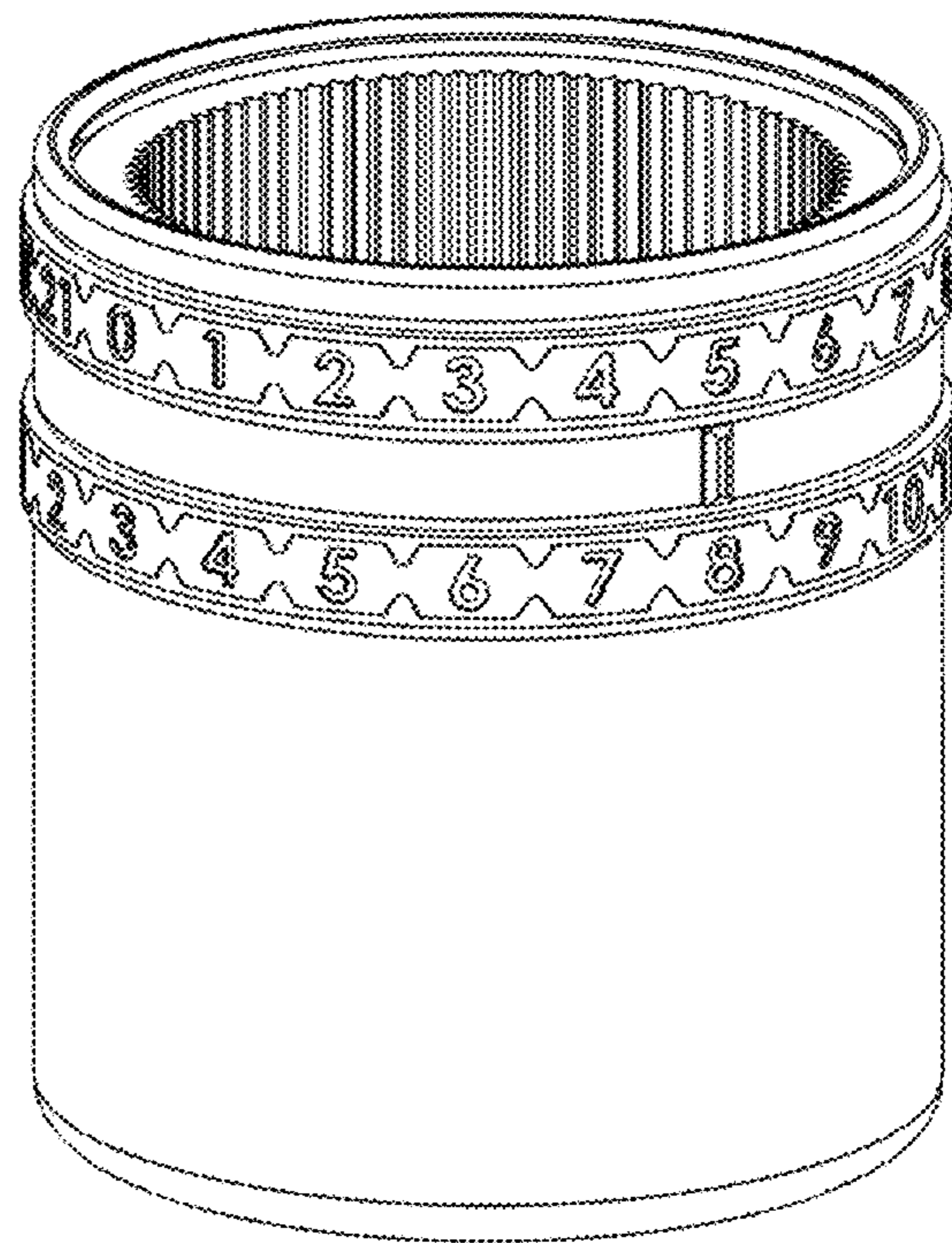


FIG. 2

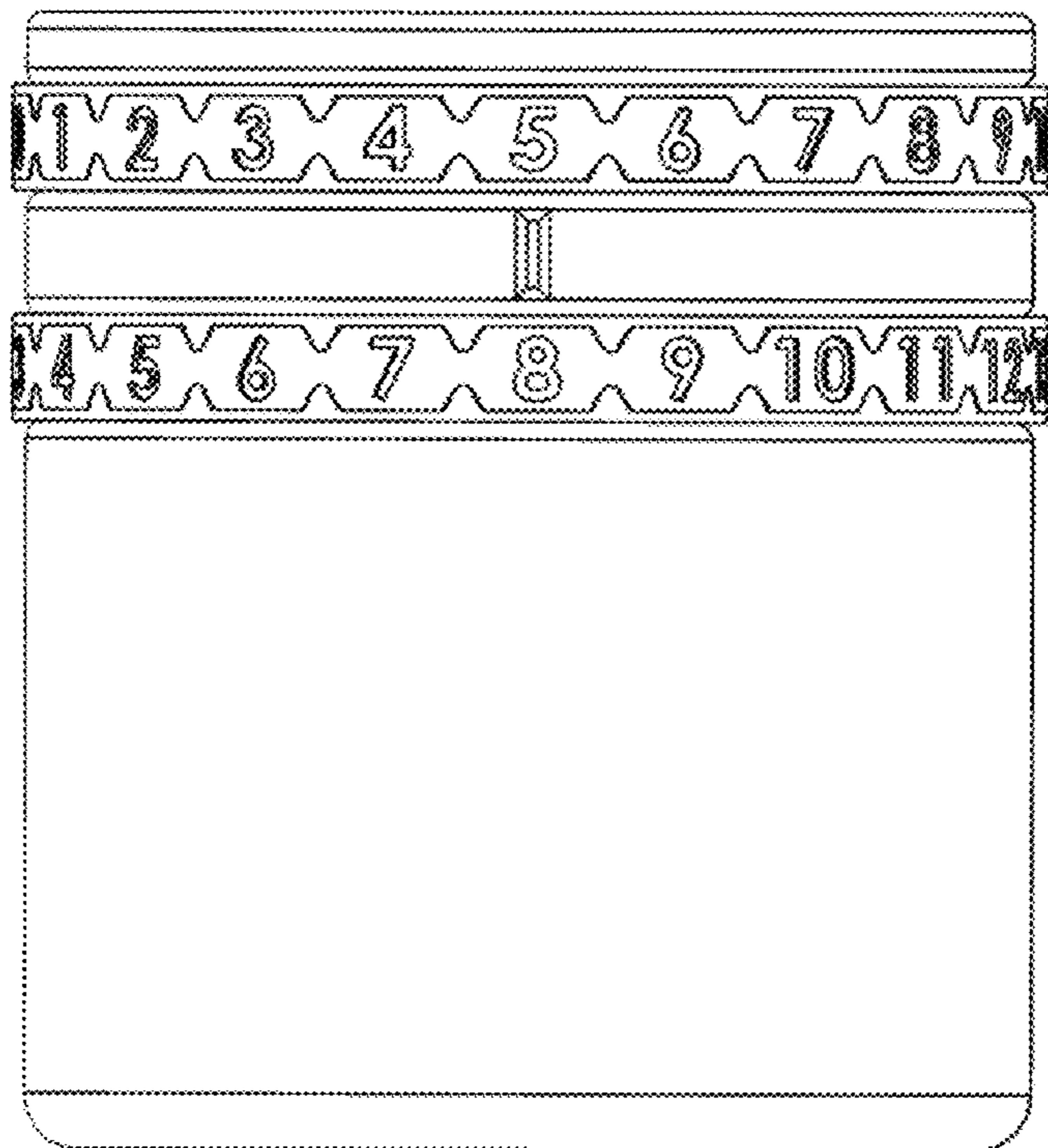


FIG. 3

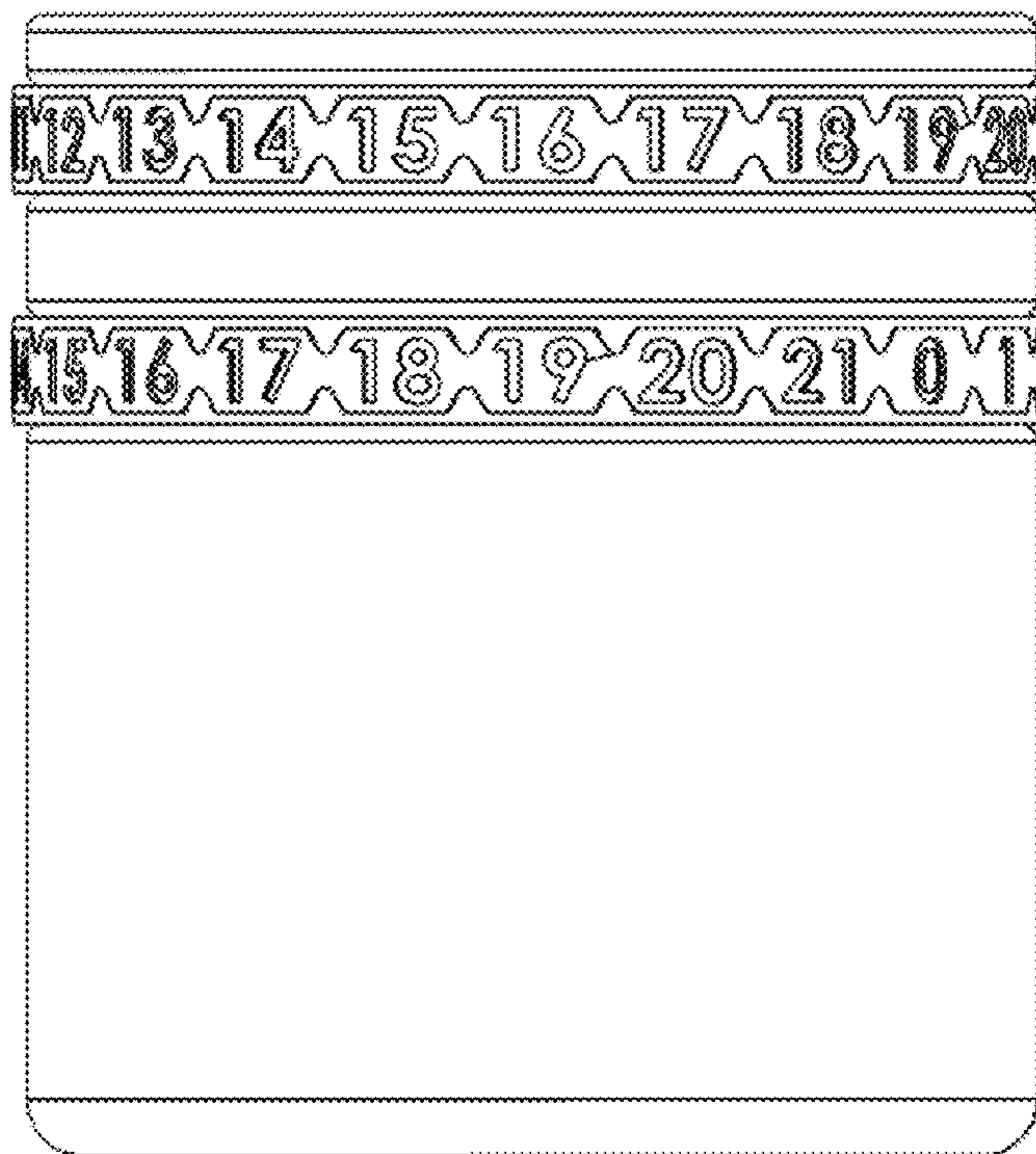


FIG. 4

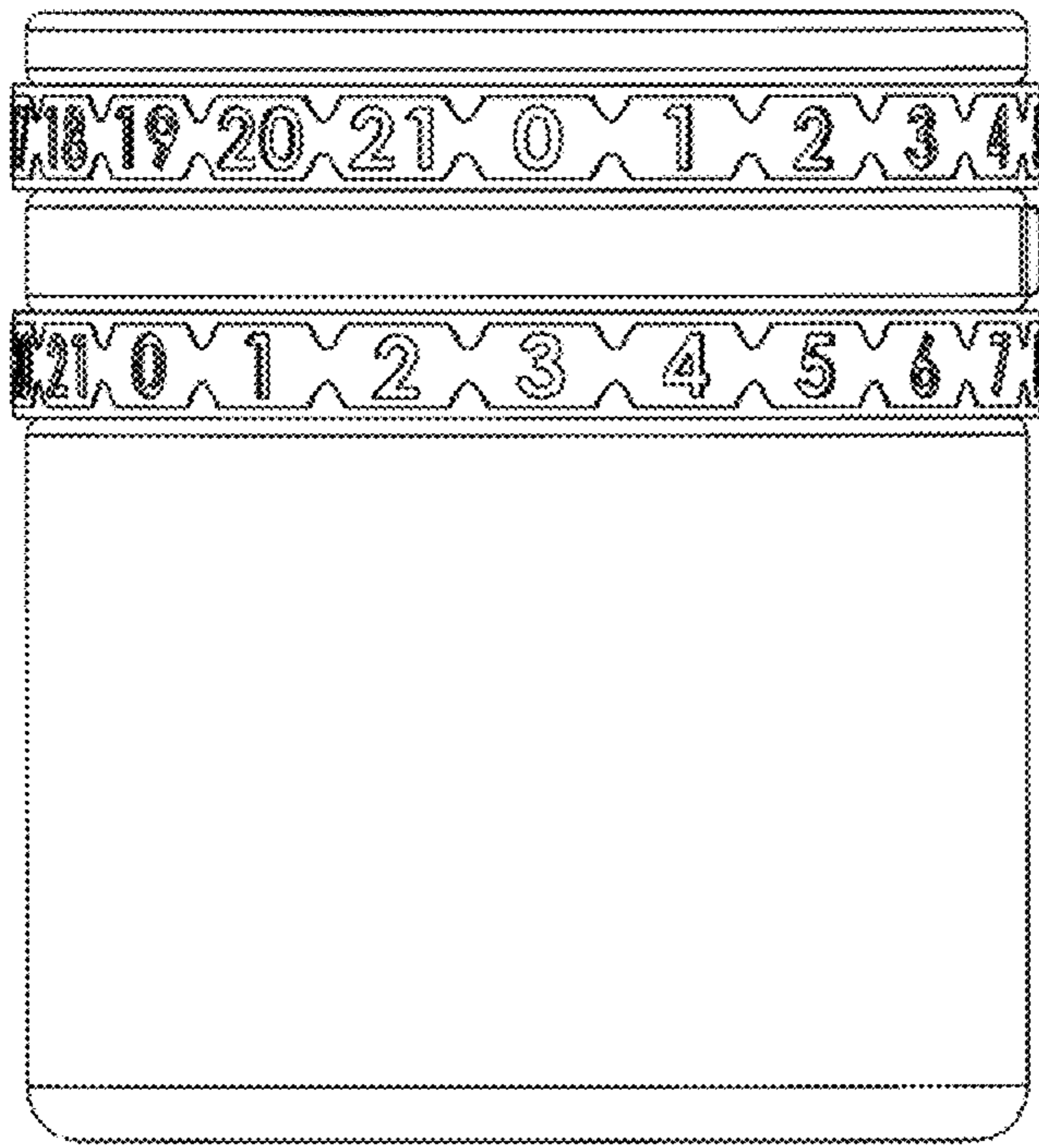


FIG. 5

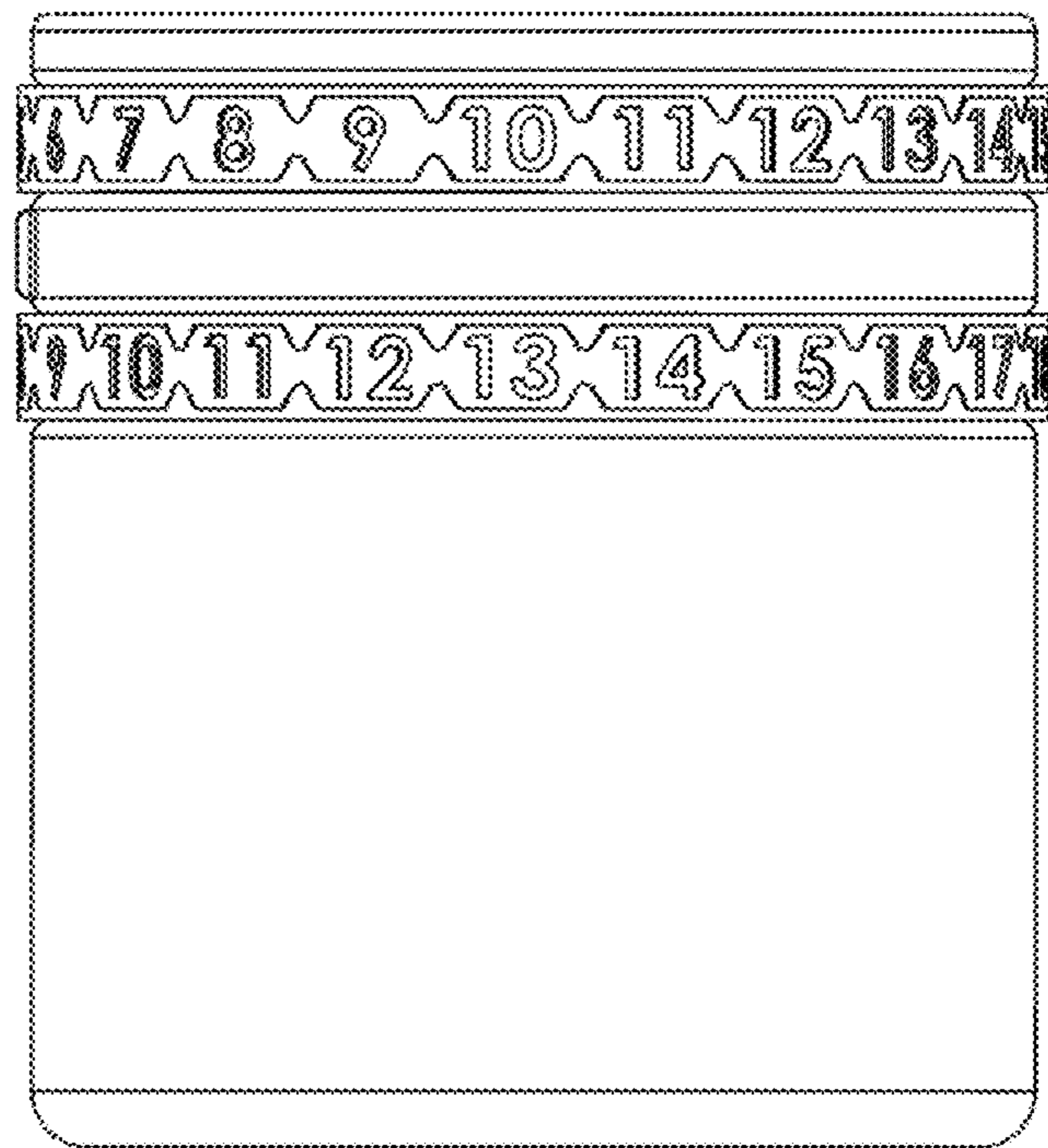


FIG. 6

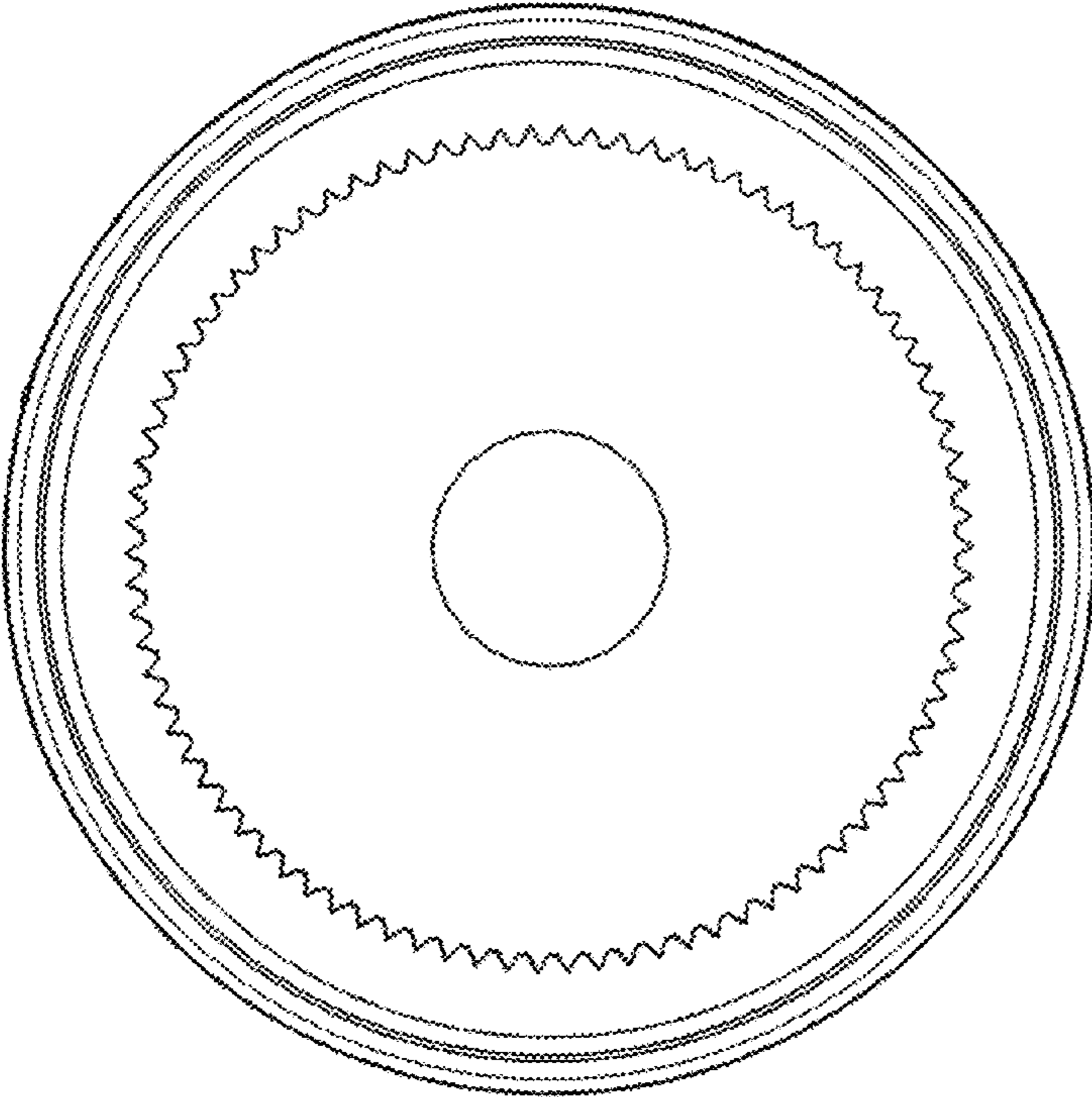


FIG. 7

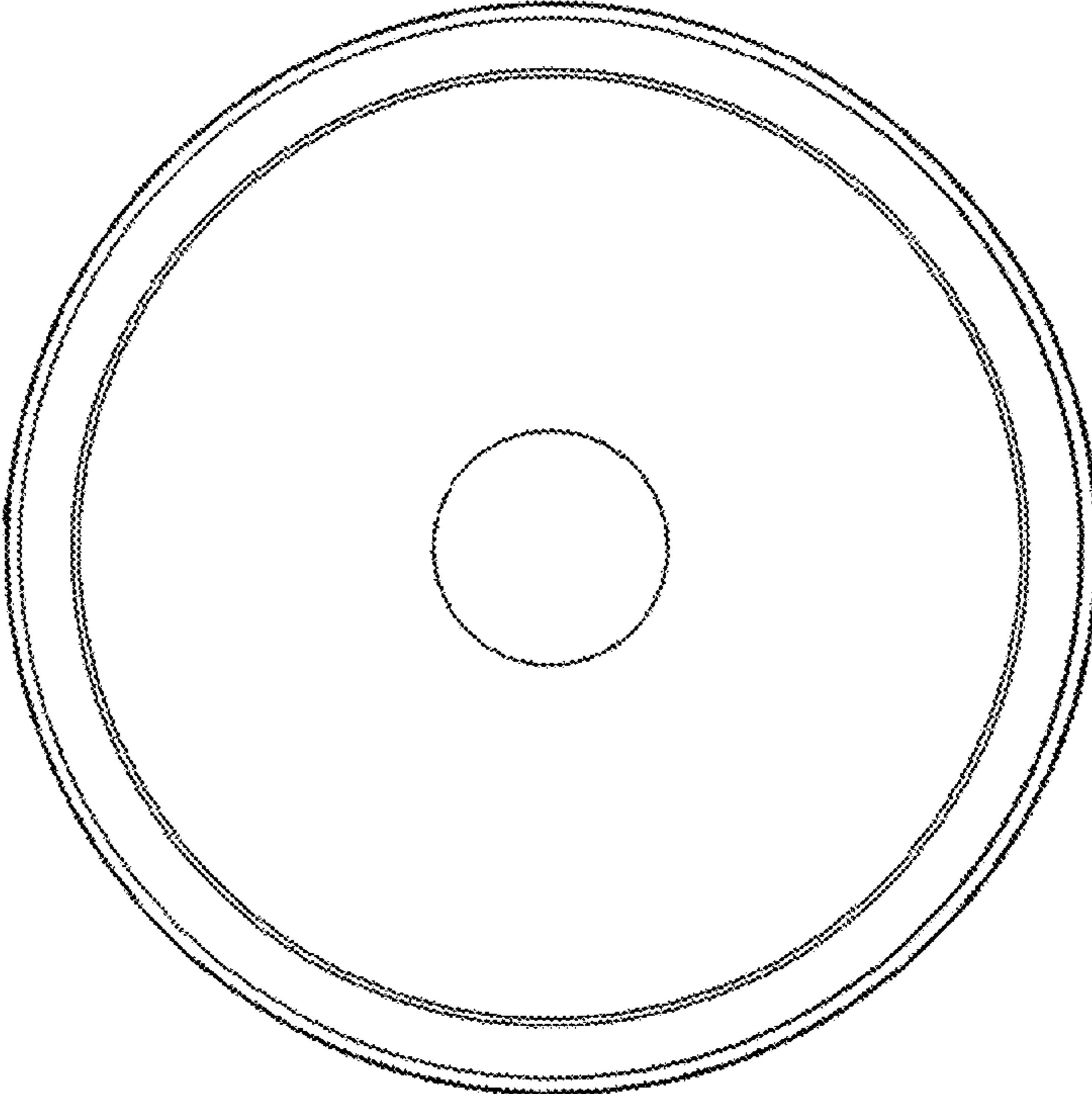


FIG. 8

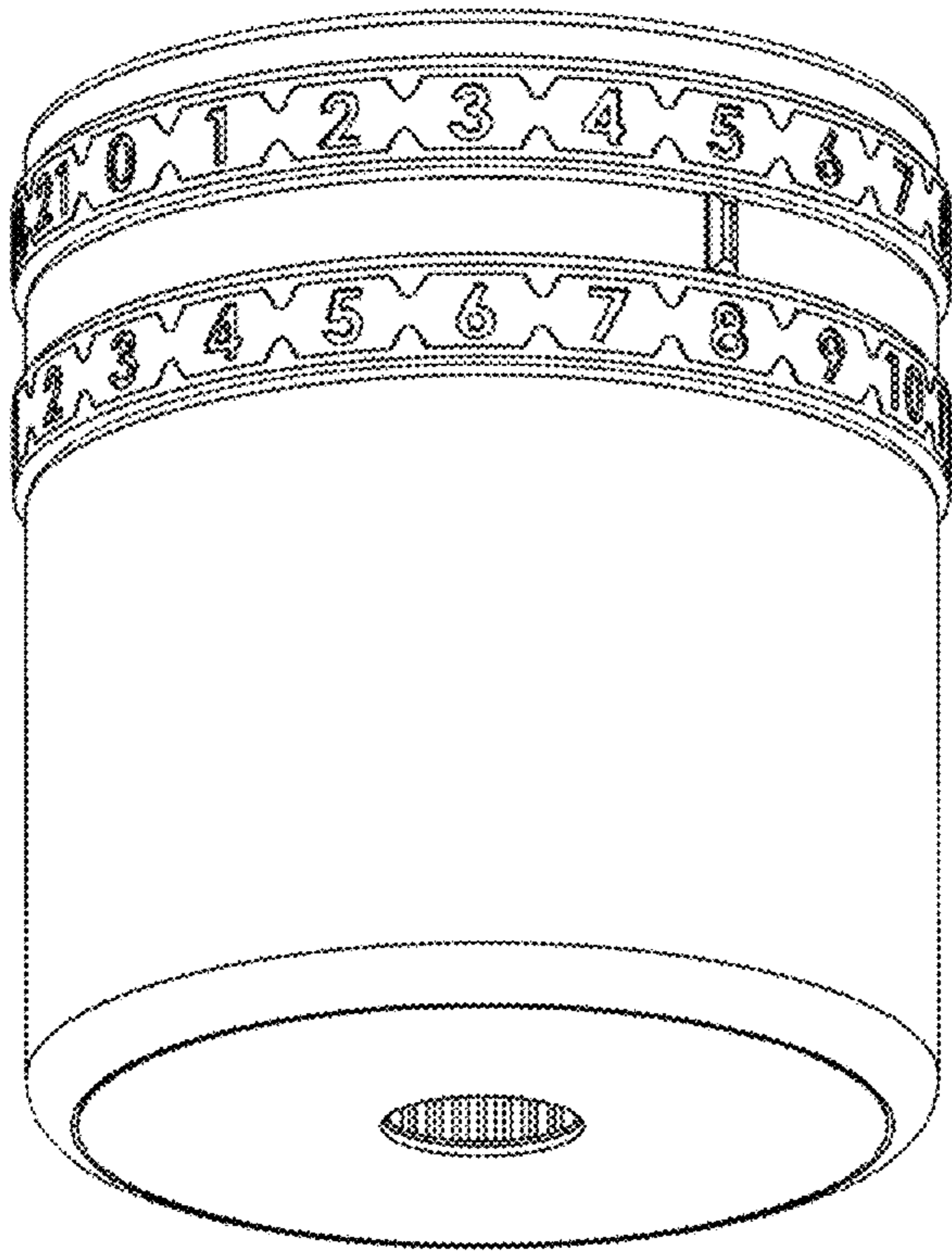


FIG. 9

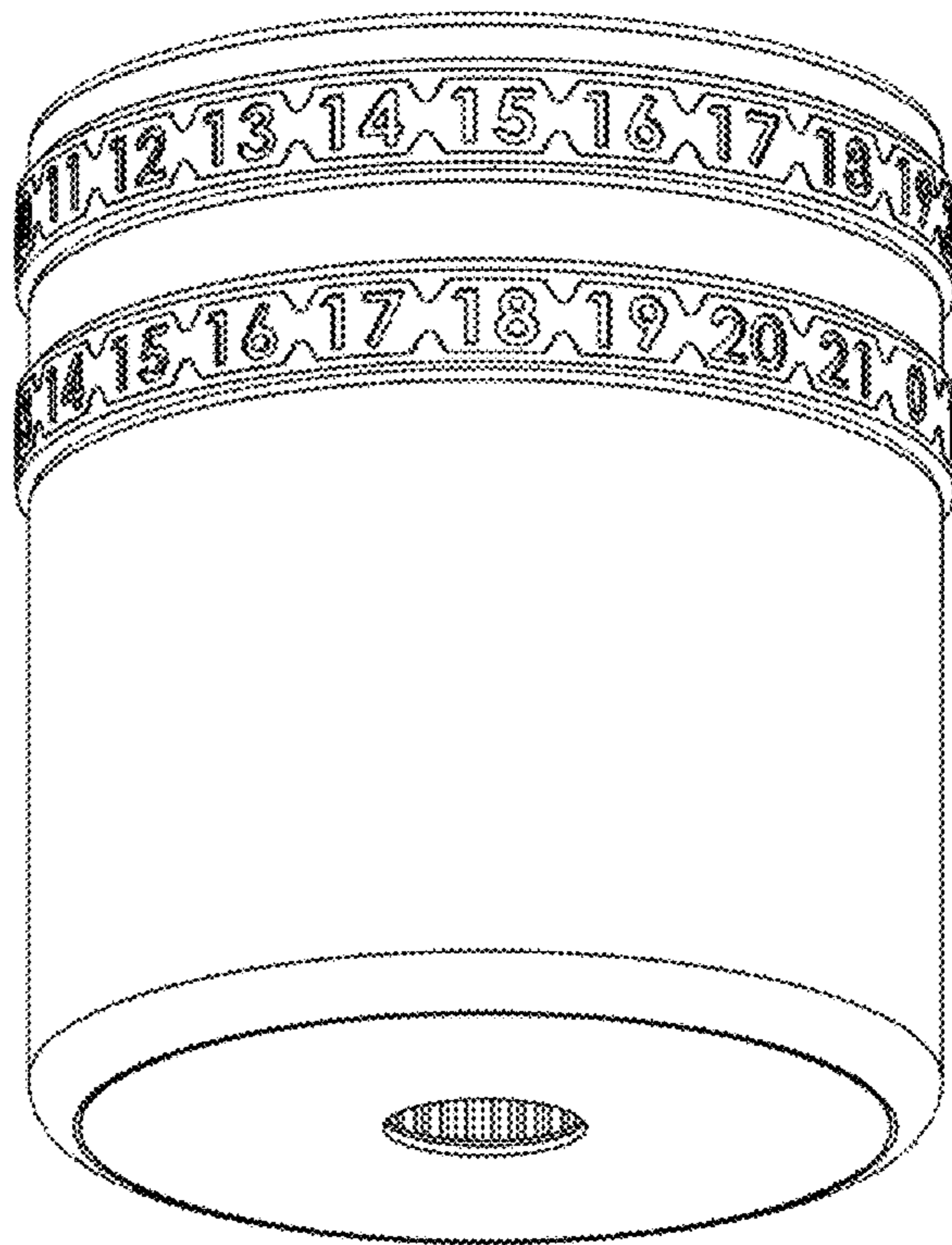


FIG. 10