



US00D786022S

(12) **United States Design Patent** (10) **Patent No.:** **US D786,022 S**
Ravenscraft, Jr. (45) **Date of Patent:** **** May 9, 2017**

(54) **DUAL-COMPARTMENT COOLER**

(71) Applicant: **Charles Ravenscraft, Jr.**, Johnsburg, IL (US)

(72) Inventor: **Charles Ravenscraft, Jr.**, Johnsburg, IL (US)

(**) Term: **15 Years**

(21) Appl. No.: **29/552,217**

(22) Filed: **Jan. 21, 2016**

Related U.S. Application Data

(63) Continuation-in-part of application No. 14/824,277, filed on Aug. 12, 2015.

(51) **LOC (10) Cl.** **07-01**

(52) **U.S. Cl.**
USPC **D7/605**

(58) **Field of Classification Search**

USPC D7/605-607, 629
CPC F25D 11/003; F25D 23/02; F25D 25/005;
F25D 3/08; B65D 25/02; B65D 25/04;
B65D 81/3858; B65D 51/245; A45C
11/20; A45C 2200/20
See application file for complete search history.

(56) **References Cited**

U.S. PATENT DOCUMENTS

4,724,681 A * 2/1988 Bartholomew F25D 3/06
190/18 A
4,846,493 A * 7/1989 Mason A45C 5/146
190/18 A

D415,658 S * 10/1999 Frehse D7/605
2002/0095947 A1 * 7/2002 Treppedi A45C 11/20
62/457.9
2003/0139169 A1 * 7/2003 Arreazola, Jr. H04B 1/086
455/344
2006/0261654 A1 * 11/2006 Stallman A47C 15/004
297/310
2007/0101754 A1 * 5/2007 Maldonado B67D 3/0067
62/389
2009/0217699 A1 * 9/2009 Ball A45C 11/20
62/457.7

* cited by examiner

Primary Examiner — Terry Wallace

(74) *Attorney, Agent, or Firm* — Jerry D Haynes

(57) **CLAIM**

The ornamental design for a dual-compartment cooler, as shown.

DESCRIPTION

FIG. 1 is a front perspective view of a dual-compartment cooler showing my new design.

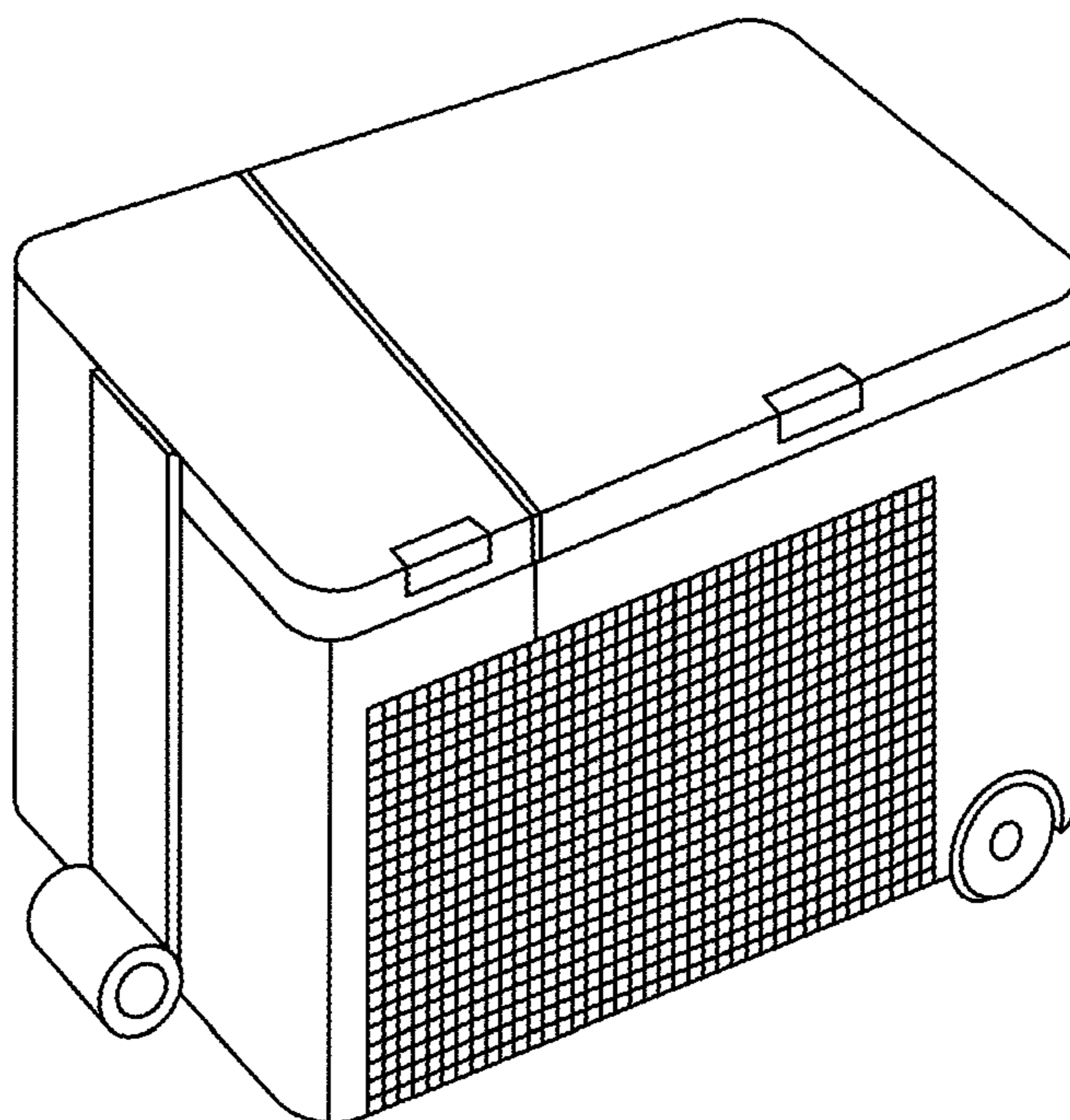
FIG. 2 is a right side view thereof.

FIG. 3 is a left side view thereof.

FIG. 4 is a top plan view thereof; and,

FIG. 5 is a bottom plan view thereof.

1 Claim, 3 Drawing Sheets



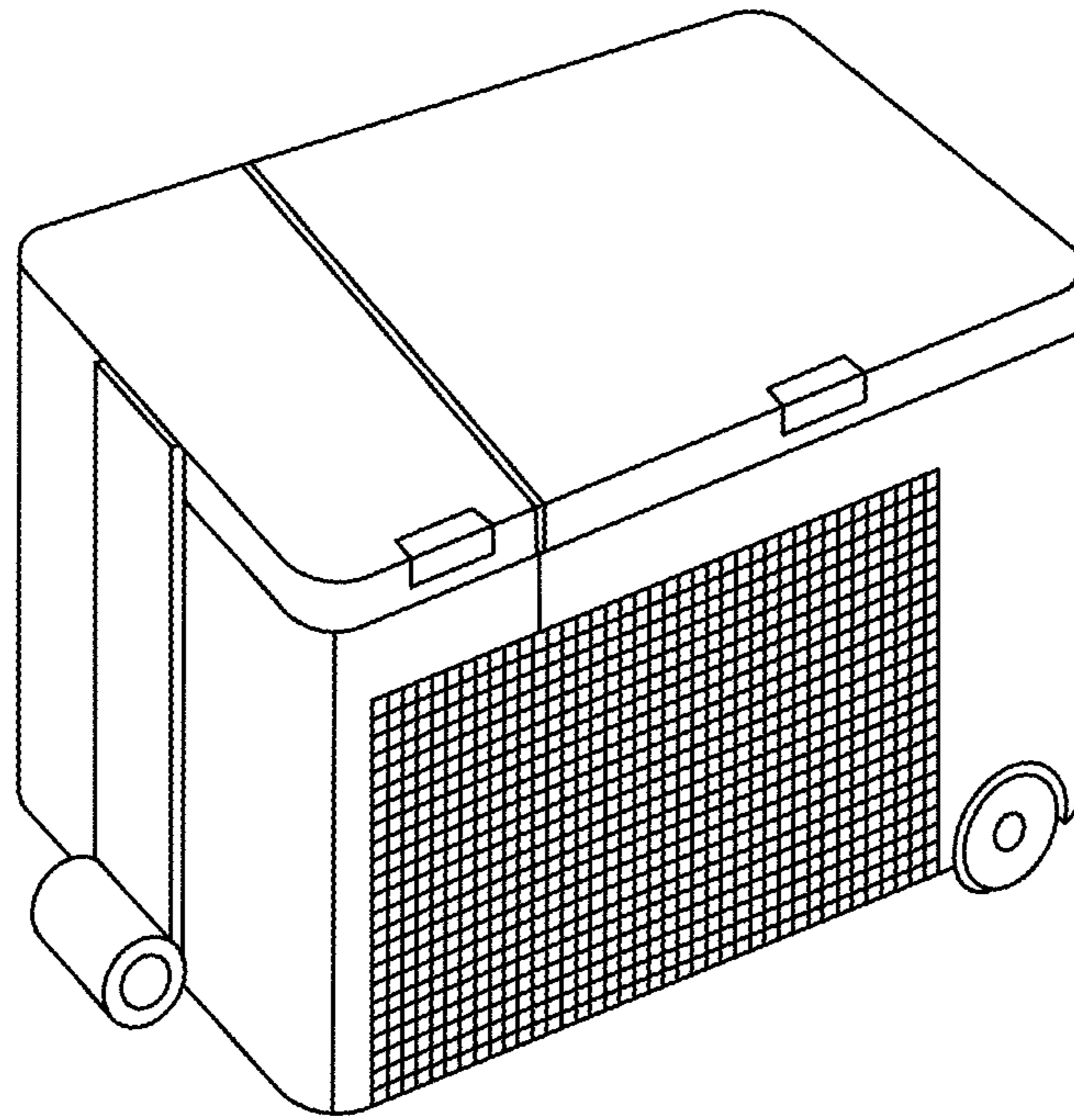


FIG. 1

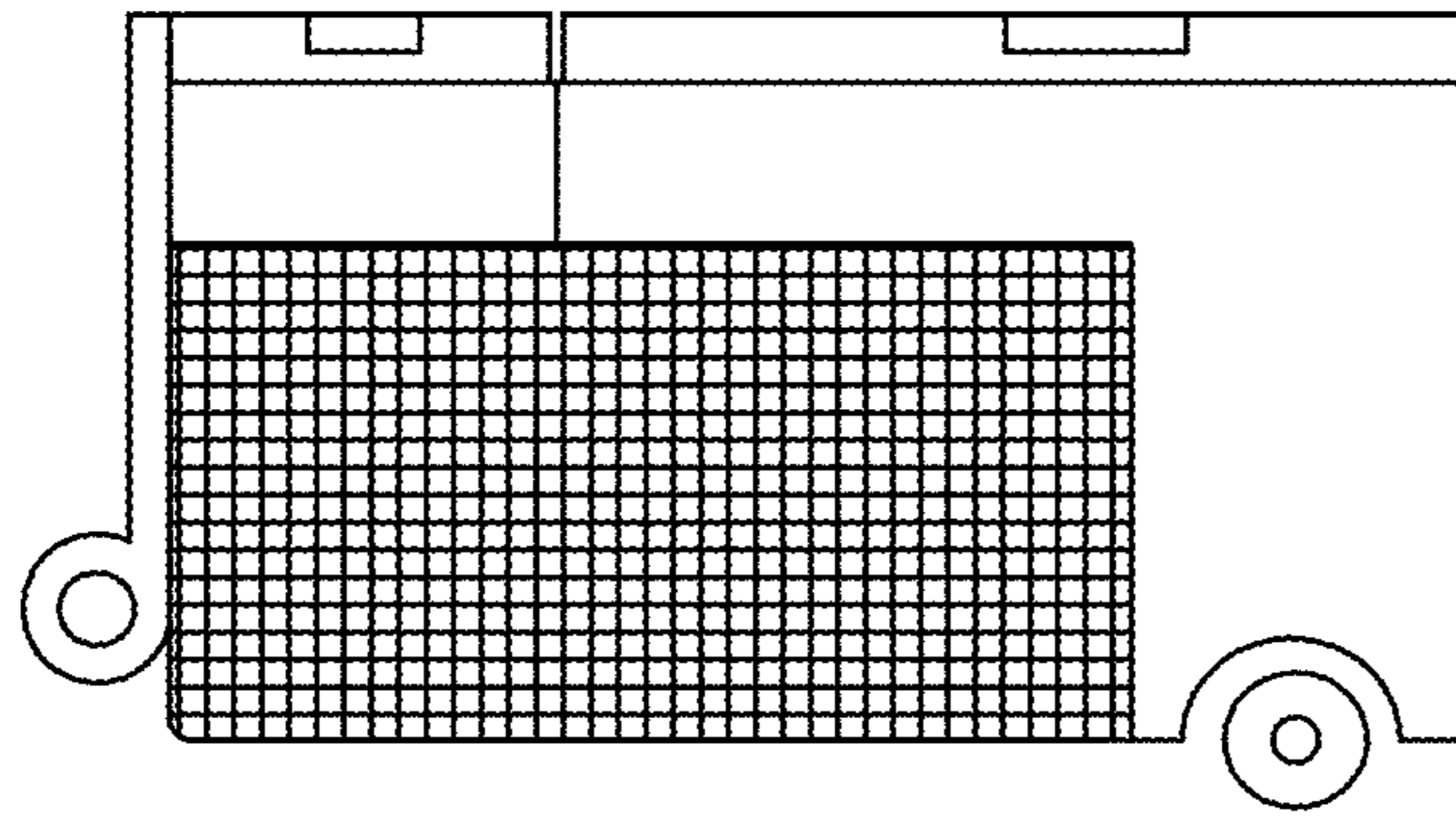


FIG. 2

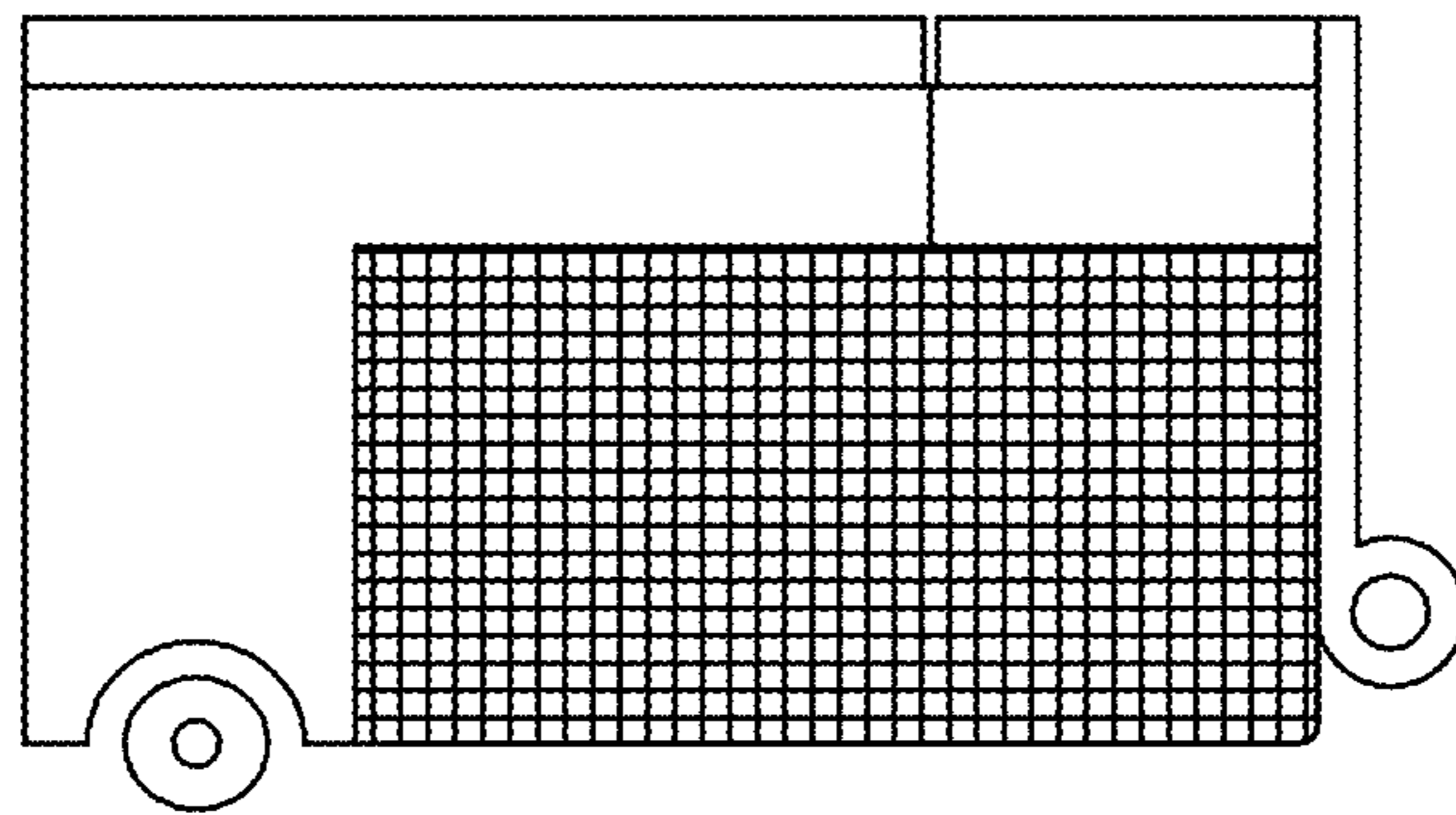


FIG. 3

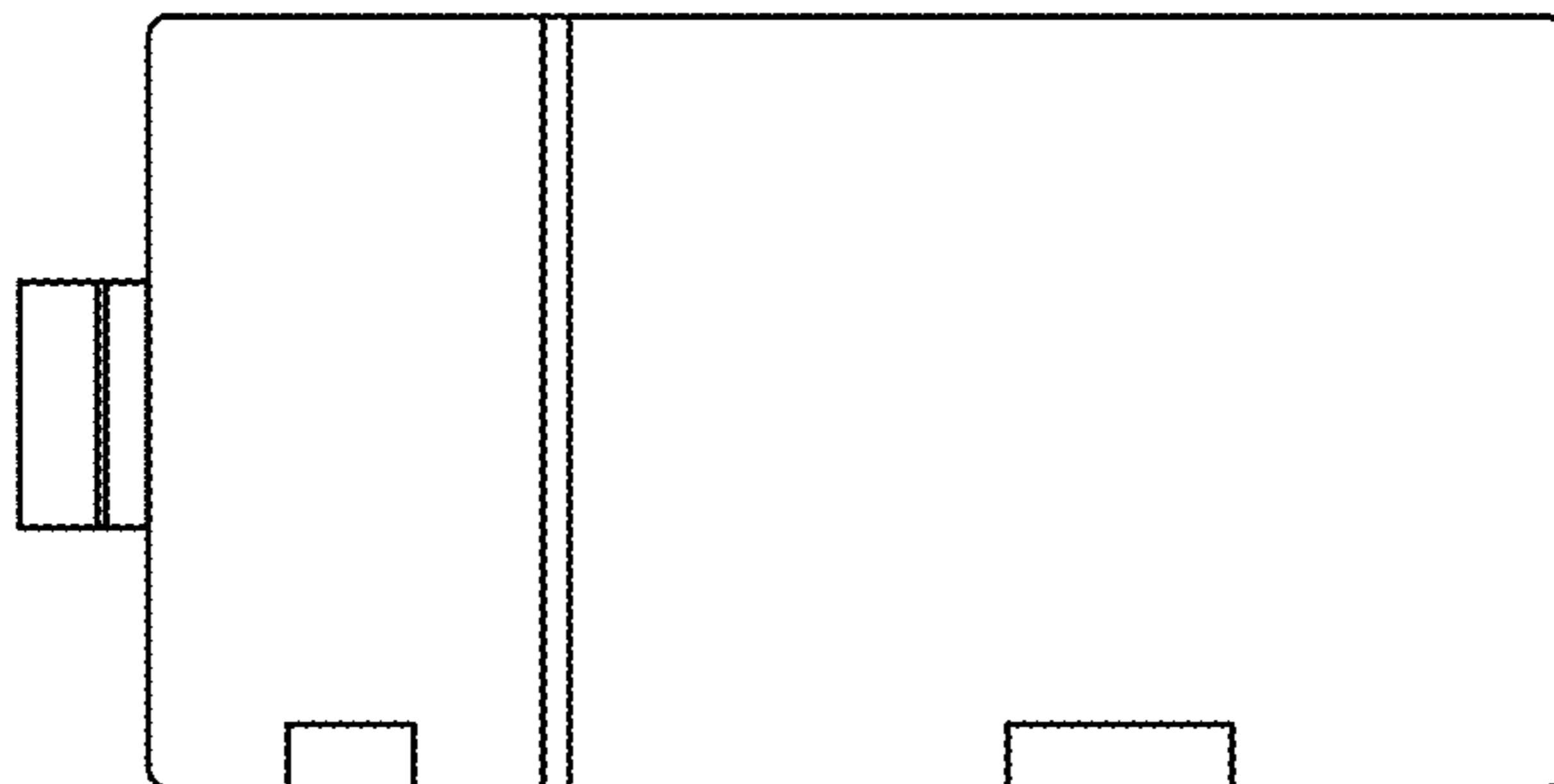


FIG. 4

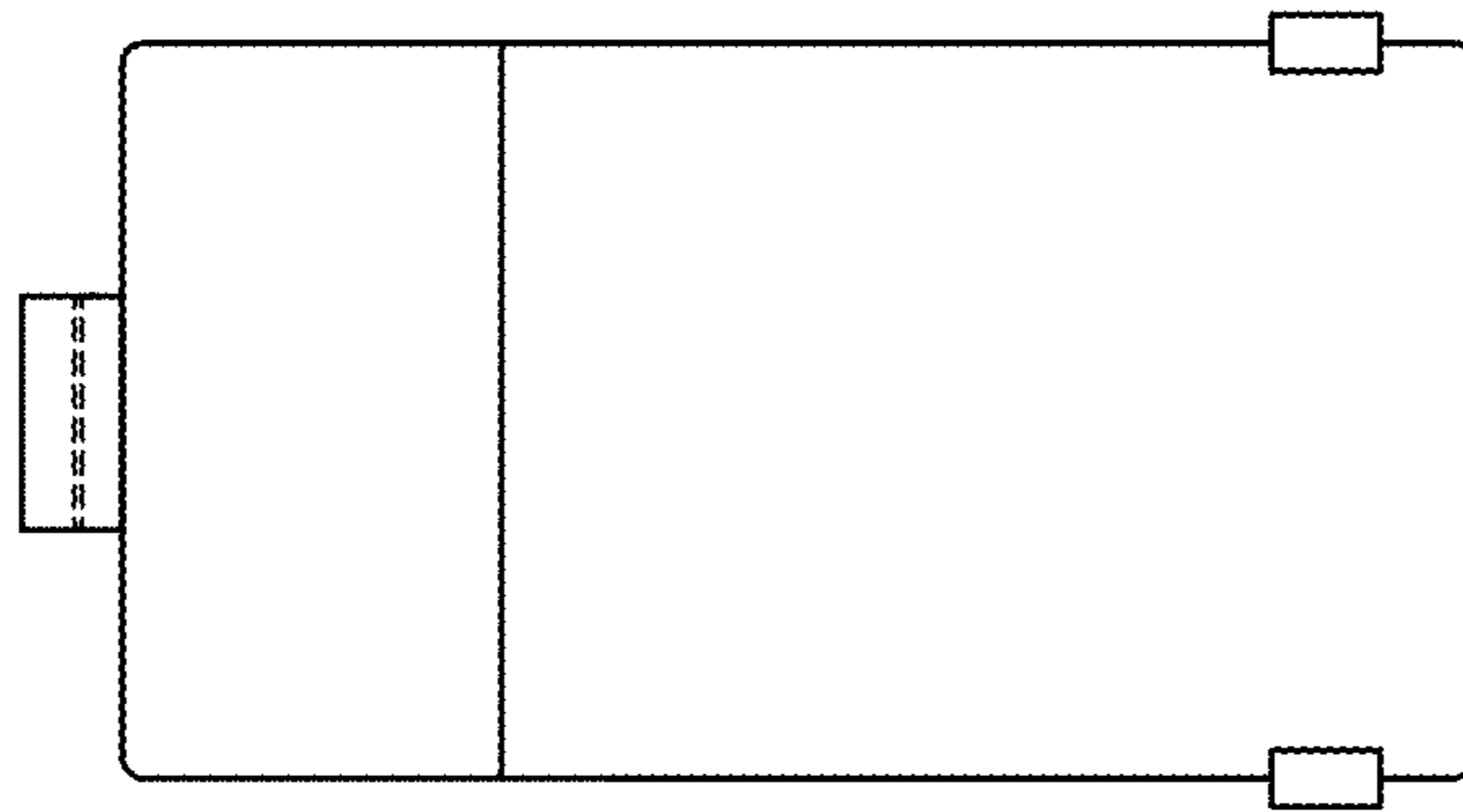


FIG. 5