



US00D786017S

(12) **United States Design Patent** (10) **Patent No.:** **US D786,017 S**
Obatake (45) **Date of Patent:** **** May 9, 2017**

(54) **EXPANDABLE DRINKING FLASK**

(71) Applicant: **Derrick S. Obatake**, Torrance, CA
(US)

(72) Inventor: **Derrick S. Obatake**, Torrance, CA
(US)

(**) Term: **15 Years**

(21) Appl. No.: **29/551,483**

(22) Filed: **Jan. 13, 2016**

(51) **LOC (10) Cl.** **07-01**

(52) **U.S. Cl.**
USPC **D7/509**

(58) **Field of Classification Search**
USPC D7/509, 507, 523, 533, 535, 536, 542,
D7/546, 900; D9/435, 522, 529, 532,
D9/560
CPC A47J 200/001; A47J 41/00; A47J 41/0005;
C12M 1/24
See application file for complete search history.

(56) **References Cited**

U.S. PATENT DOCUMENTS

D254,596 S *	4/1980	Spigelman	D9/522
D278,515 S *	4/1985	Adams	D9/573
D378,060 S *	2/1997	Charriol	D9/546
5,783,440 A *	7/1998	Stevens	C12M 23/32
				215/386
D400,794 S *	11/1998	Takeuchi	D9/532
D557,612 S *	12/2007	Slimane	D9/529
D655,181 S *	3/2012	Kraft	D9/560

D655,182 S *	3/2012	Kraft	D9/560
D668,776 S *	10/2012	Shanler	D24/224
D680,004 S *	4/2013	Lecetre	D9/544
D702,433 S *	4/2014	Romley	D3/202
D743,264 S *	11/2015	Mariani	D9/435
D746,261 S *	12/2015	Silvera	D14/207

* cited by examiner

Primary Examiner — Cynthia Ramirez

Assistant Examiner — Andrew Kerr

(74) *Attorney, Agent, or Firm* — Lucian C. Chen

(57) **CLAIM**

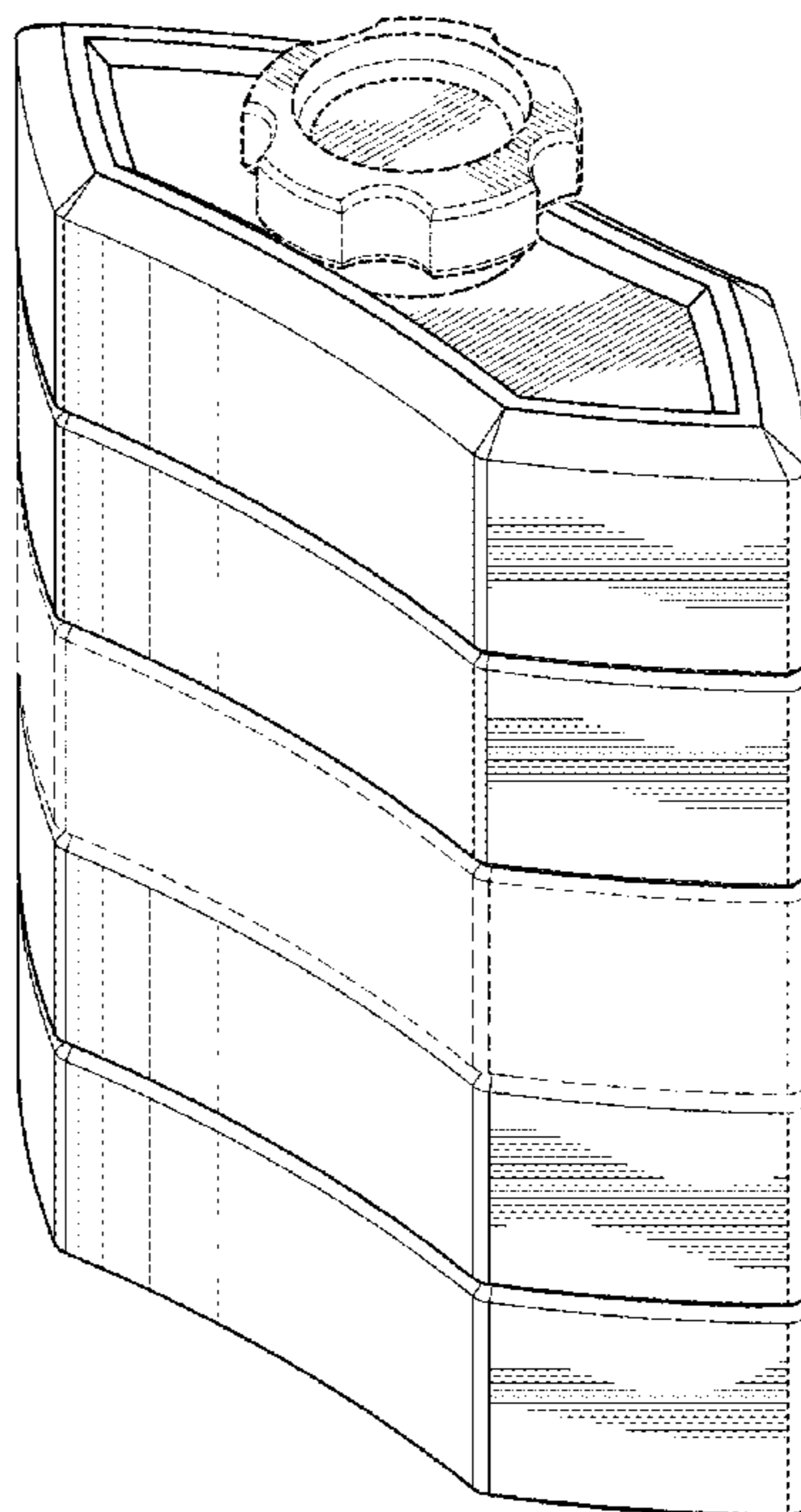
The ornamental design for an expandable drinking flask, as shown and described.

DESCRIPTION

FIG. 1 is a front, top and right perspective of an expandable drinking flask showing my new design; FIG. 2 is a rear, bottom and right perspective view thereof; FIG. 3 is a front elevation view thereof; FIG. 4 is a rear elevation view thereof; FIG. 5 is a right side elevation view thereof; FIG. 6 is a left side elevation view thereof; FIG. 7 is a top plan view thereof; and, FIG. 8 is a bottom plan view thereof.

The drinking flask is shown with a symbolic break in its height. The appearance of any portion of the article within the broken lines forms no part of the claimed design. The broken line showing of a lid is for the purpose of illustrating portions of the flask and forms no part of the claimed design.

1 Claim, 6 Drawing Sheets



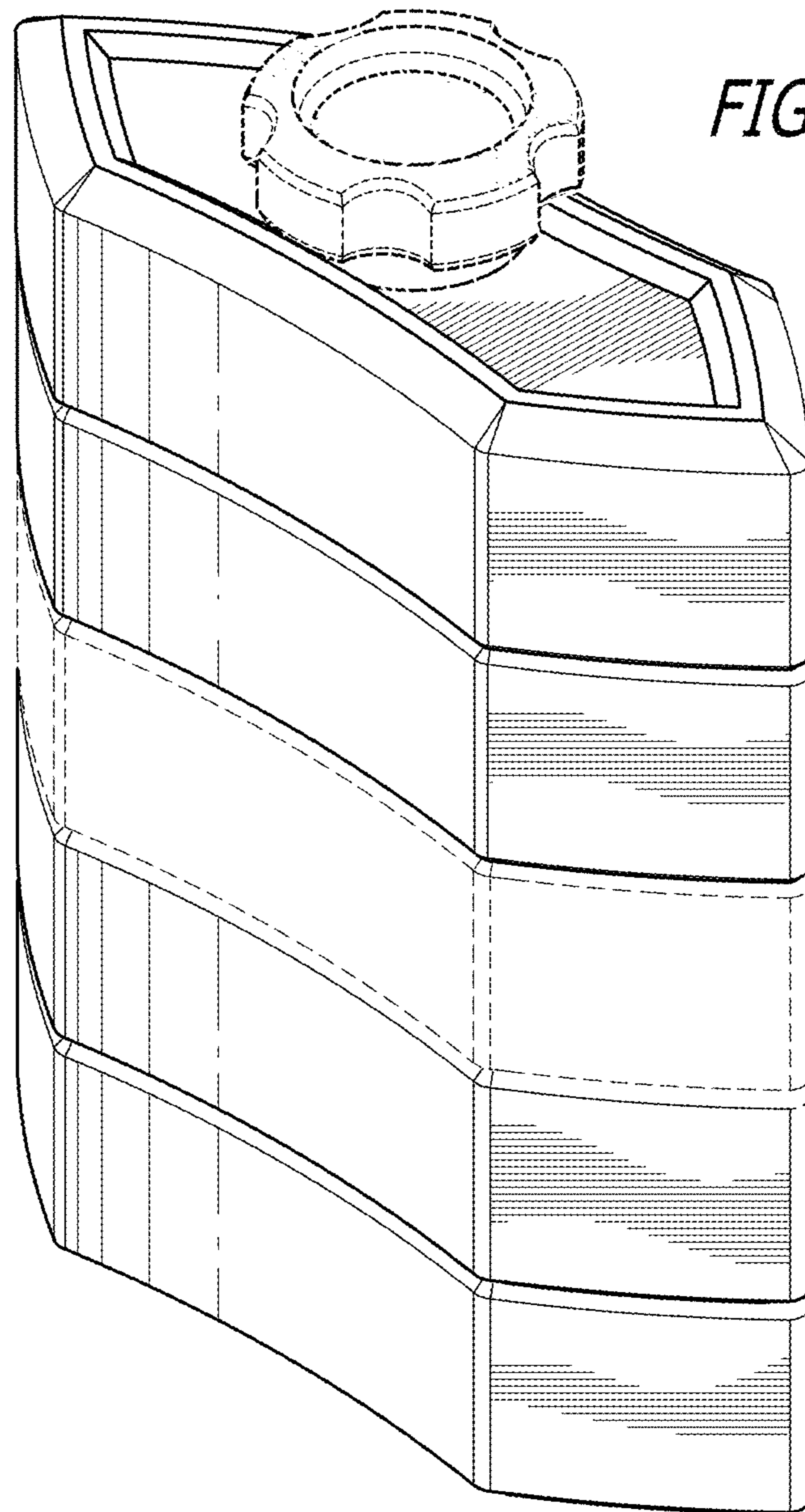


FIG. 1

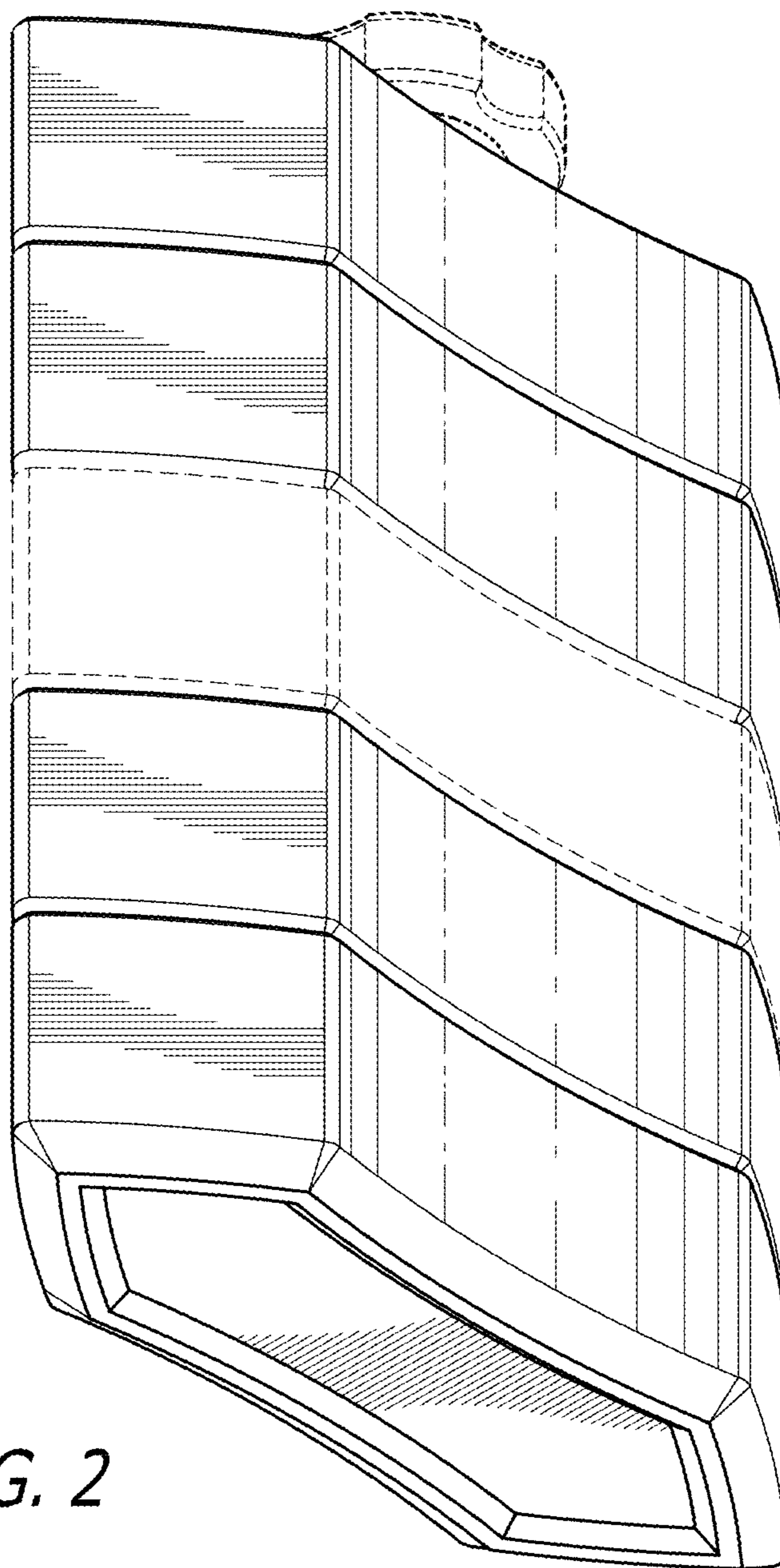


FIG. 2

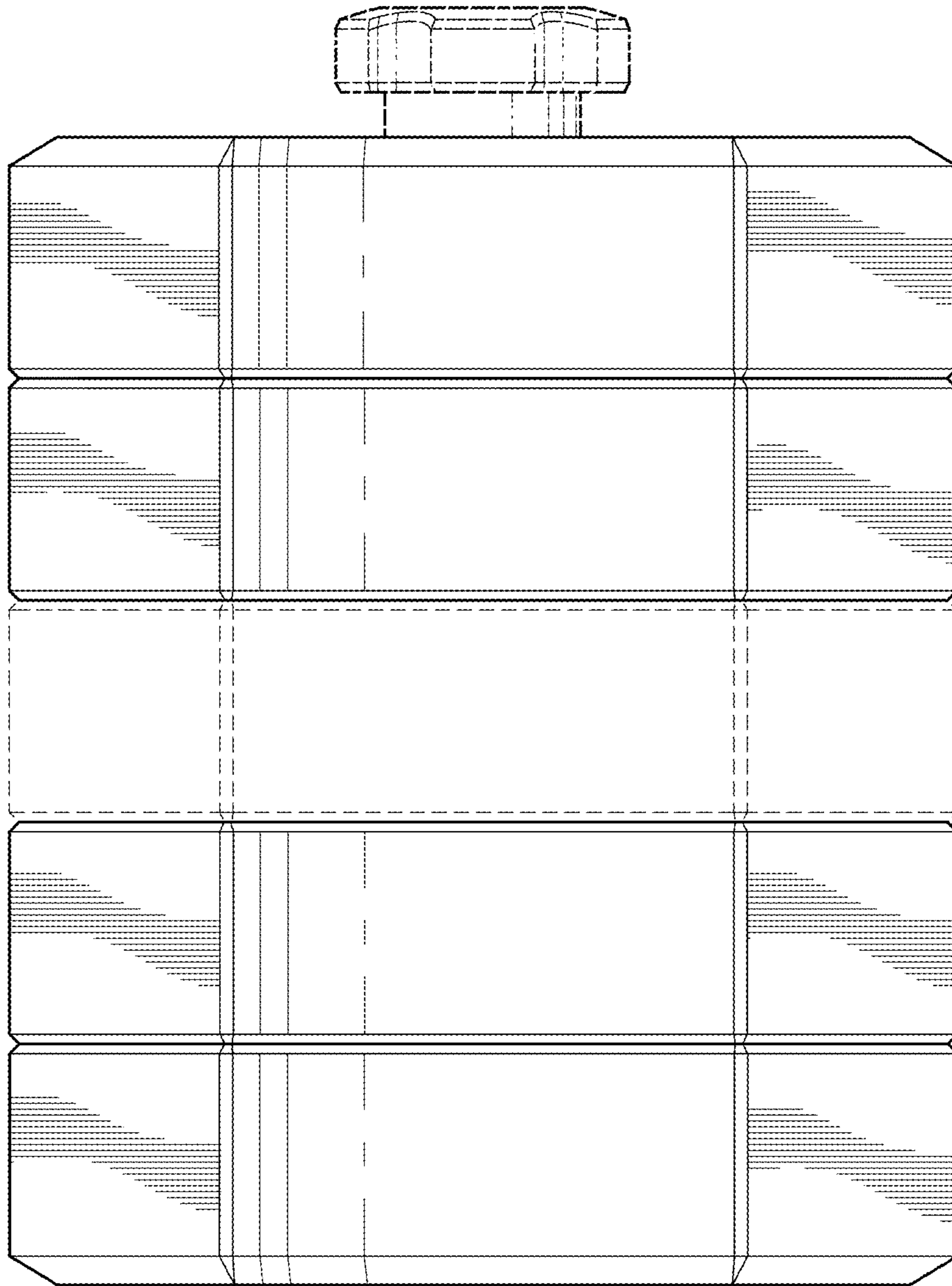


FIG. 3

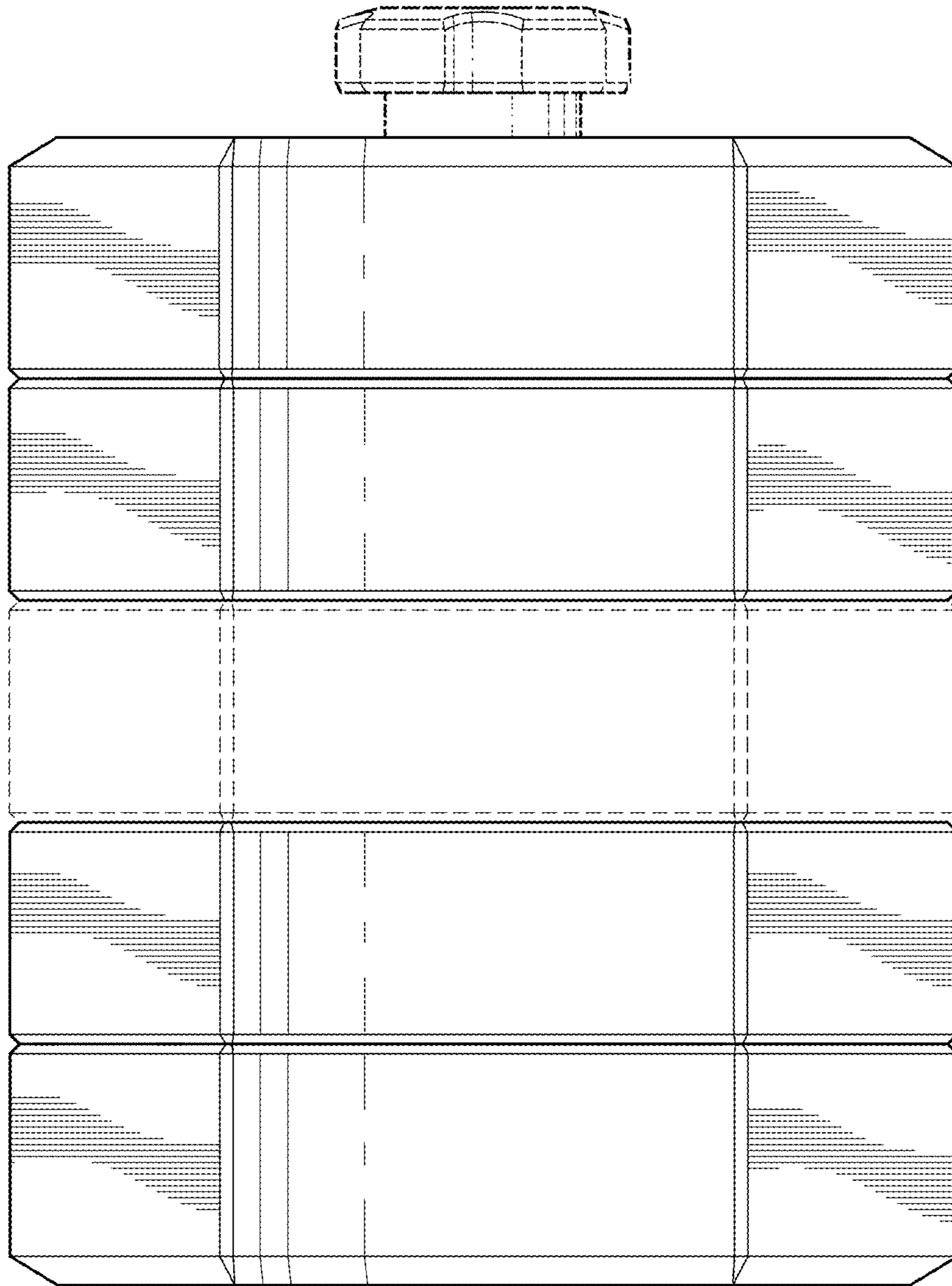


FIG. 4

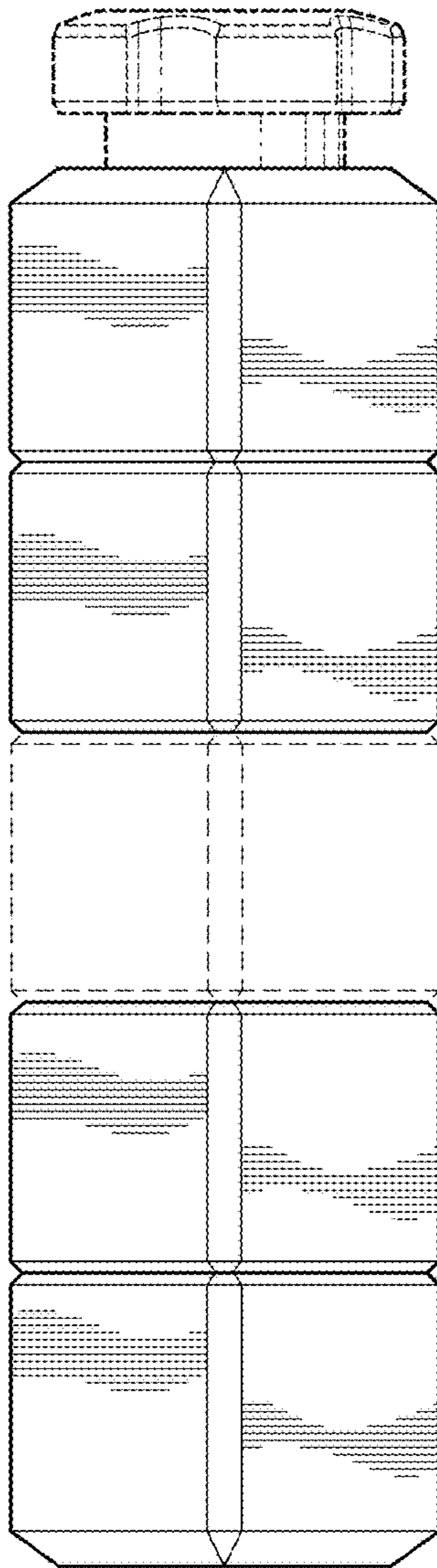


FIG. 5

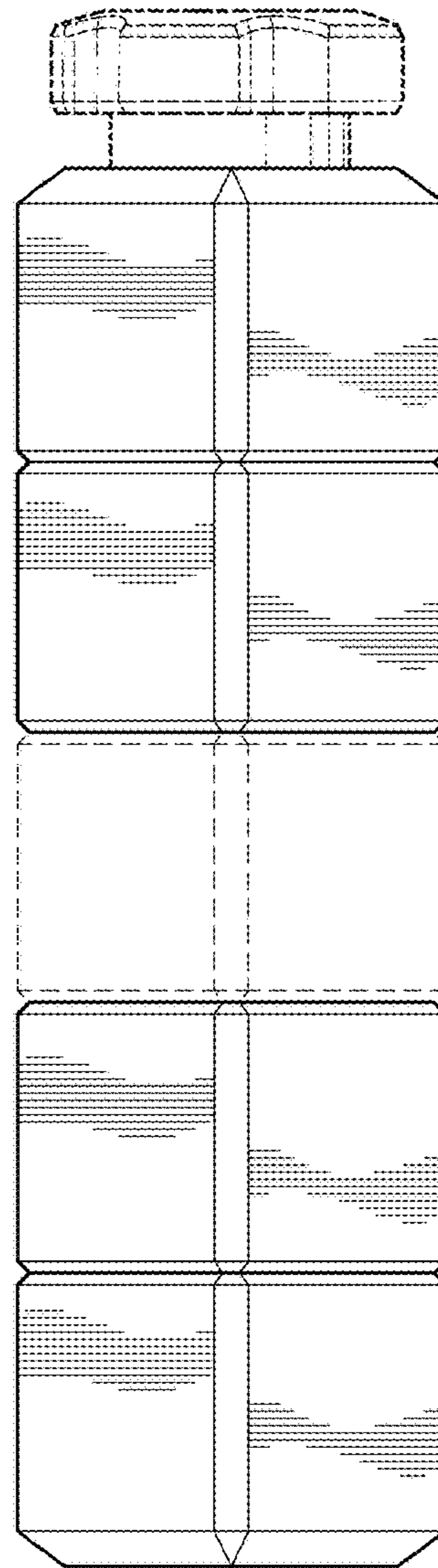


FIG. 6

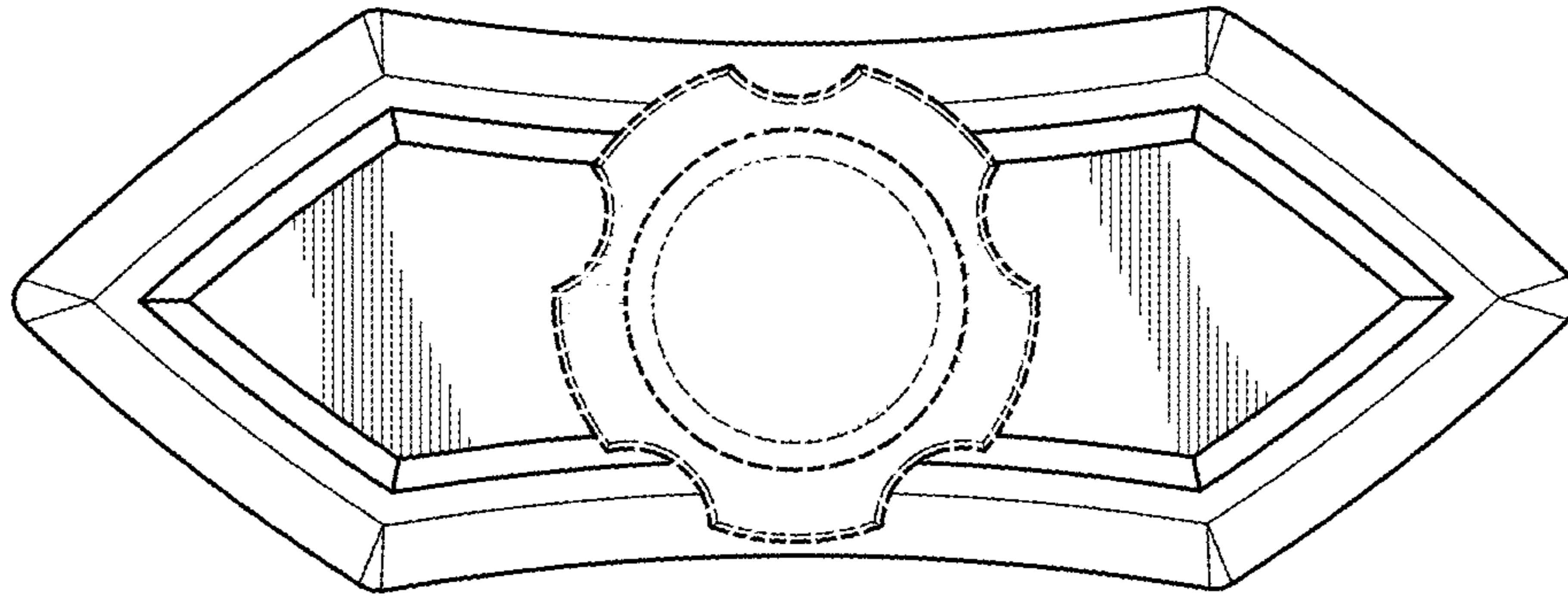


FIG. 7

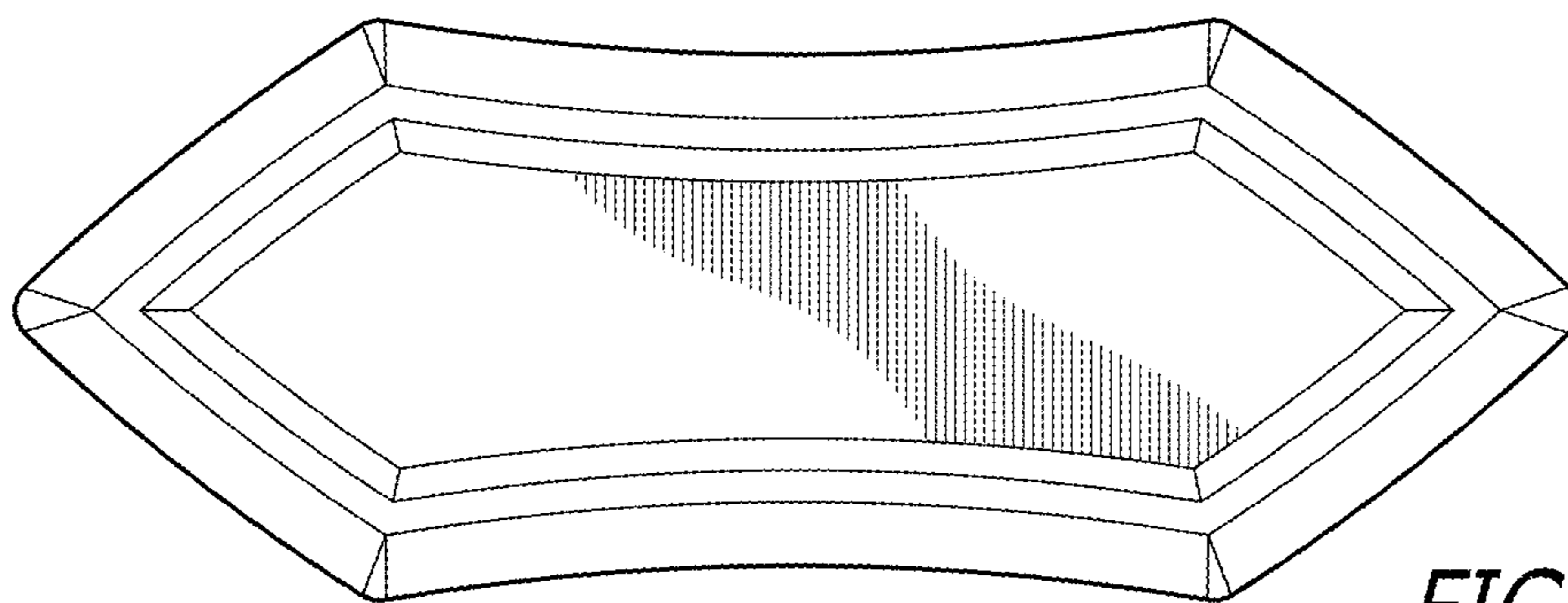


FIG. 8