



US00D786015S

(12) **United States Design Patent**
Kim et al.

(10) **Patent No.:** **US D786,015 S**
(45) **Date of Patent:** **** May 9, 2017**

(54) **BODY FOR JUICE EXTRACTOR**

(71) Applicant: **NUC ELECTRONICS CO., LTD,**
Daegu (KR)

(72) Inventors: **Jong Boo Kim,** Daegu (KR); **Gunuk Jo,** Daegu (KR)

(**) Term: **15 Years**

(21) Appl. No.: **35/500,504**

(22) Filed: **Jul. 21, 2015**

(80) **Hague Agreement Data**
Int. Filing Date: **Jul. 21, 2015**
Int. Reg. No.: **DM/087235**
Int. Reg. Date: **Jul. 21, 2015**
Int. Reg. Pub. Date: **Jan. 22, 2016**

(51) **LOC (10) Cl.** **31-00**

(52) **U.S. Cl.**
CPC **A47J 19/025** (2013.01)
USPC **D7/412**

(58) **Field of Classification Search**
USPC D7/665-667, 412, 376-386; 241/92,
241/101.1-101.7, 285.1-285.3;
99/495-499, 348, 349, 357, 369, 370;
366/98, 142, 197-211, 241-254, 279,
366/292, 341-347
CPC A47J 19/02; A47J 37/0835; A47J 19/00;
A47J 43/0783; A47J 43/1032; A47J
43/1006; A47J 43/042; A47J 2043/04463;
A47J 2043/0449; A47J 2043/04427;
A23N 1/10; A23N 1/003; A23N 1/006;
A23N 1/00
See application file for complete search history.

(56) **References Cited**
U.S. PATENT DOCUMENTS

D159,469 S * 8/1950 Bennett D7/665
D471,408 S * 3/2003 Fouquet D7/665
7,066,082 B2 * 6/2006 O'Loughlin A47J 19/027
99/511

D537,303 S * 2/2007 Stuckey D7/378
D565,363 S * 4/2008 Fouquet D7/666
D594,717 S * 6/2009 Wu Chang D7/665
D640,502 S * 6/2011 Picozza D7/376
D641,214 S * 7/2011 Choi D7/665
D660,660 S * 5/2012 Kim D7/666
D665,632 S * 8/2012 Kim D7/665
D665,633 S * 8/2012 Kim D7/665
D676,287 S * 2/2013 Ferraby D7/665
D684,827 S * 6/2013 Kim D7/665
D699,515 S * 2/2014 Kim D7/412
D733,505 S * 7/2015 Choi D7/665
D760,552 S * 7/2016 Kim D7/665
2003/0052206 A1 * 3/2003 Fouquet A47J 43/085
241/92
2006/0060091 A1 * 3/2006 Chang A47J 19/027
99/511
2010/0139504 A1 * 6/2010 Wu Chang A47J 43/0794
99/510
2011/0083566 A1 * 4/2011 Backus A47J 19/027
99/511
2011/0154997 A1 * 6/2011 Huang A23N 1/02
99/508
2013/0255511 A1 * 10/2013 Steiner A47J 19/02
99/513
2013/0284034 A1 * 10/2013 Jeong A47J 19/025
100/117

* cited by examiner

Primary Examiner — Richard E Chilcot

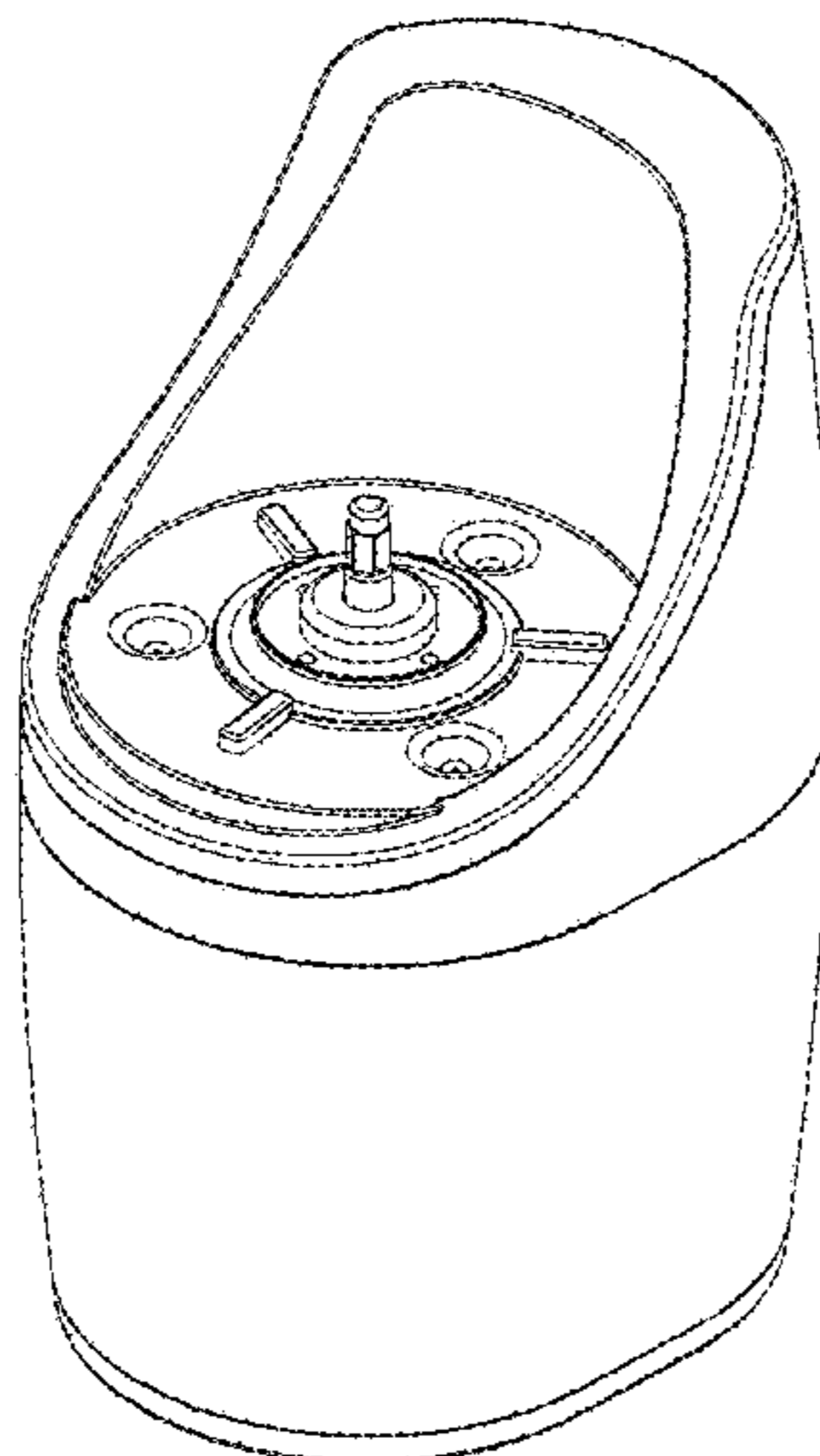
(57) **CLAIM**

The ornamental design for a body for juice extractor, as shown and described.

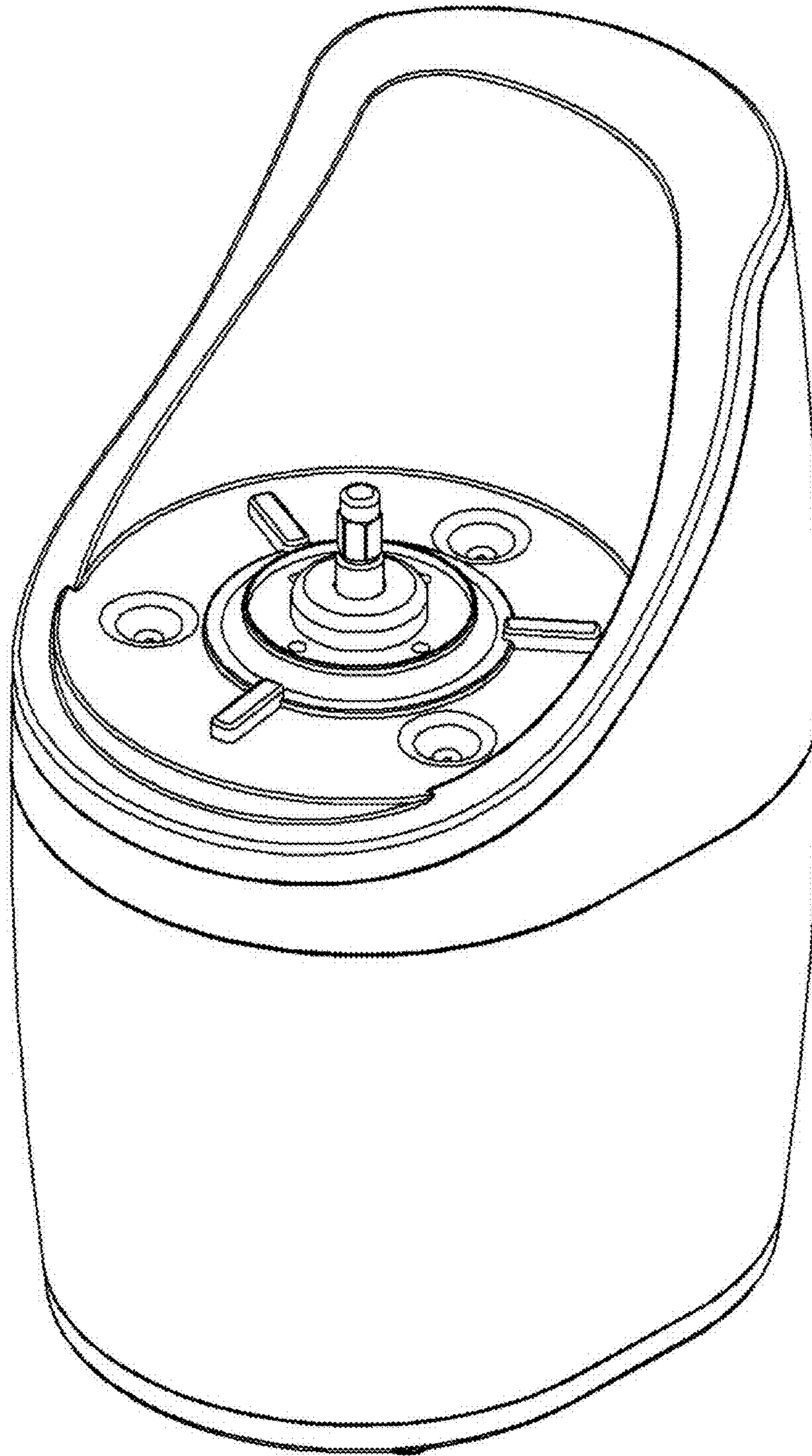
DESCRIPTION

- 1. Body for juice extractor
- 1.1 : Perspective
- 1.2 : Front
- 1.3 : Back
- 1.4 : Left
- 1.5 : Right
- 1.6 : Top
- 1.7 : Bottom

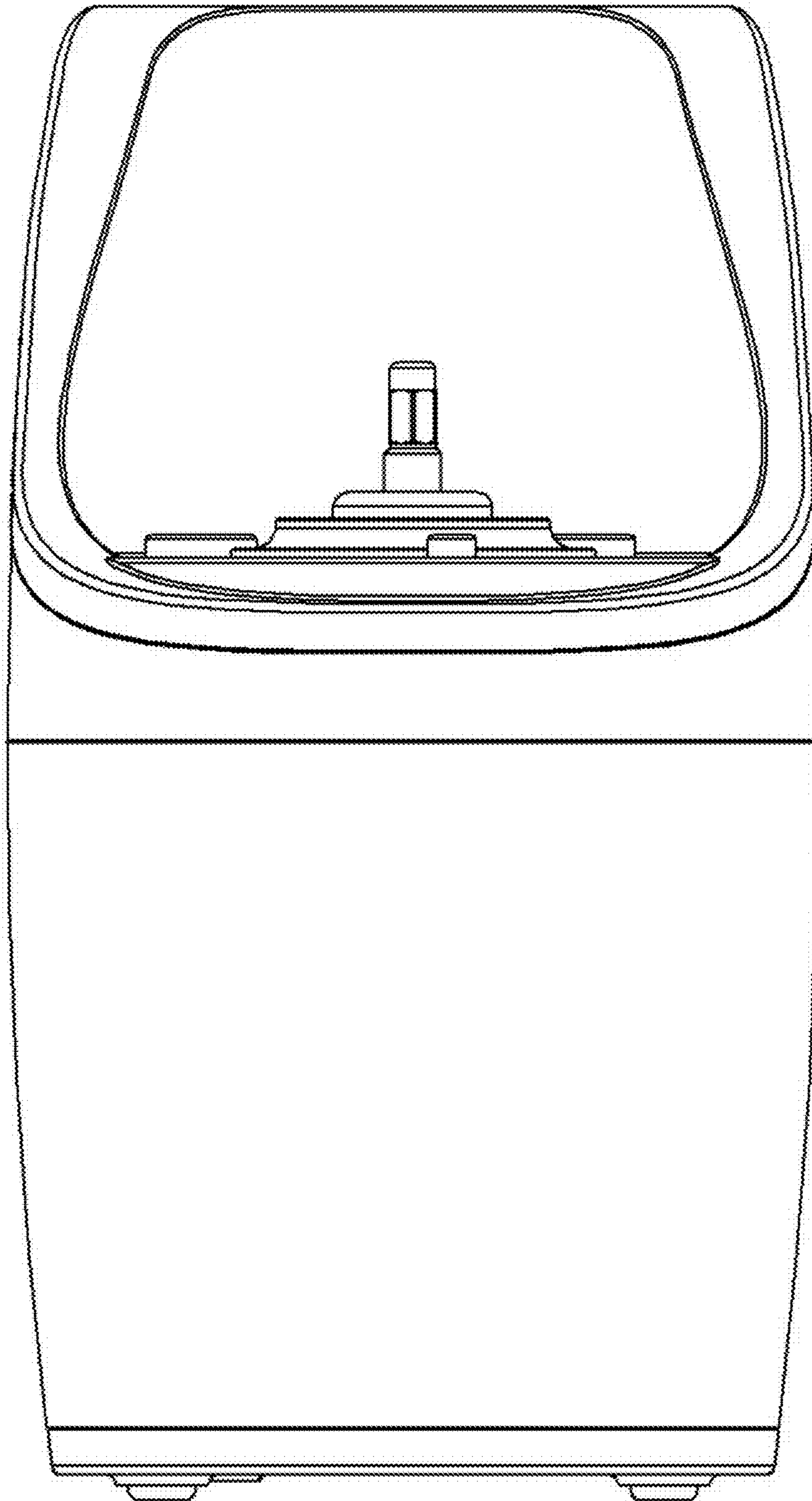
1 Claim, 7 Drawing Sheets



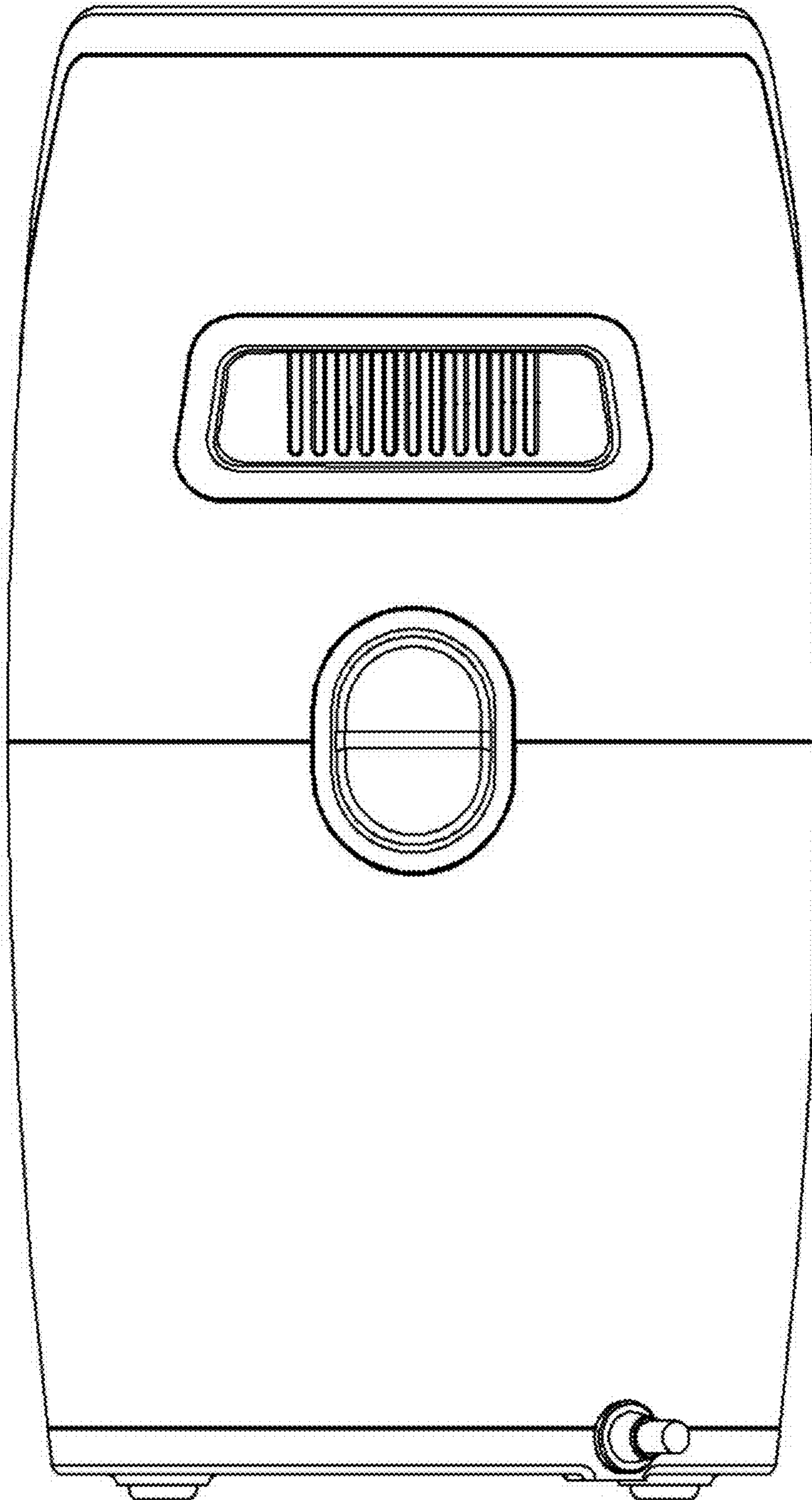
1.1



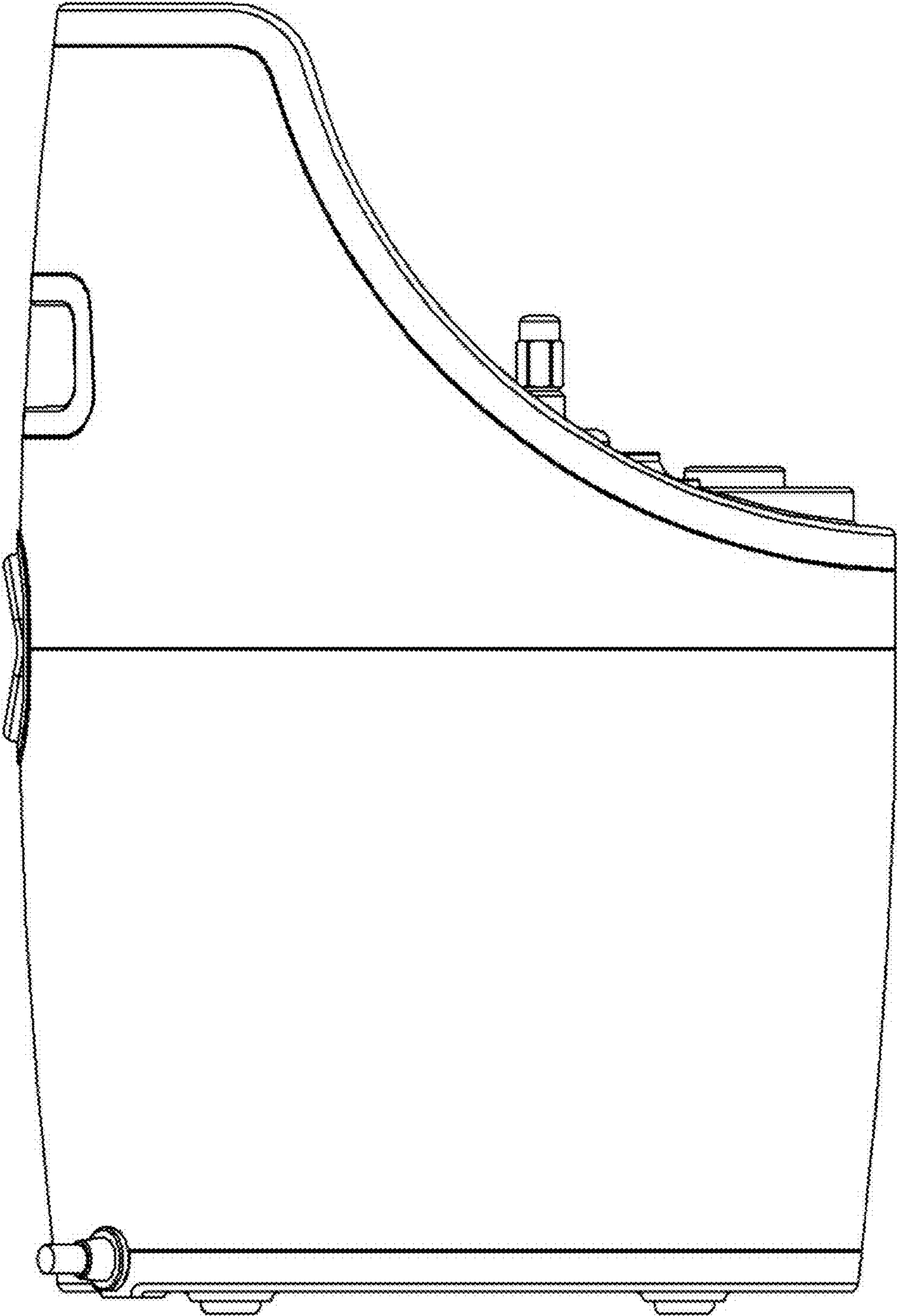
1.2



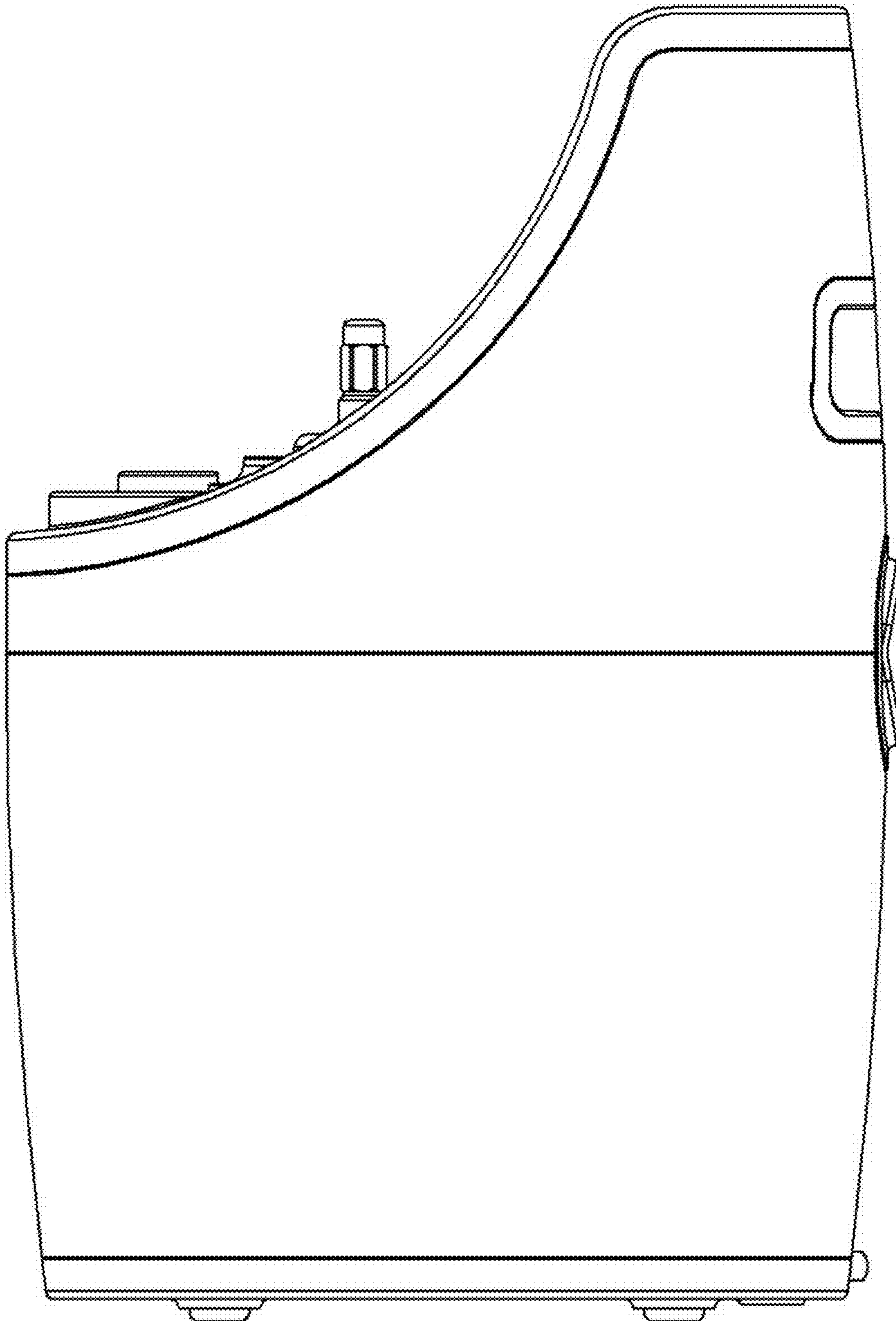
1.3



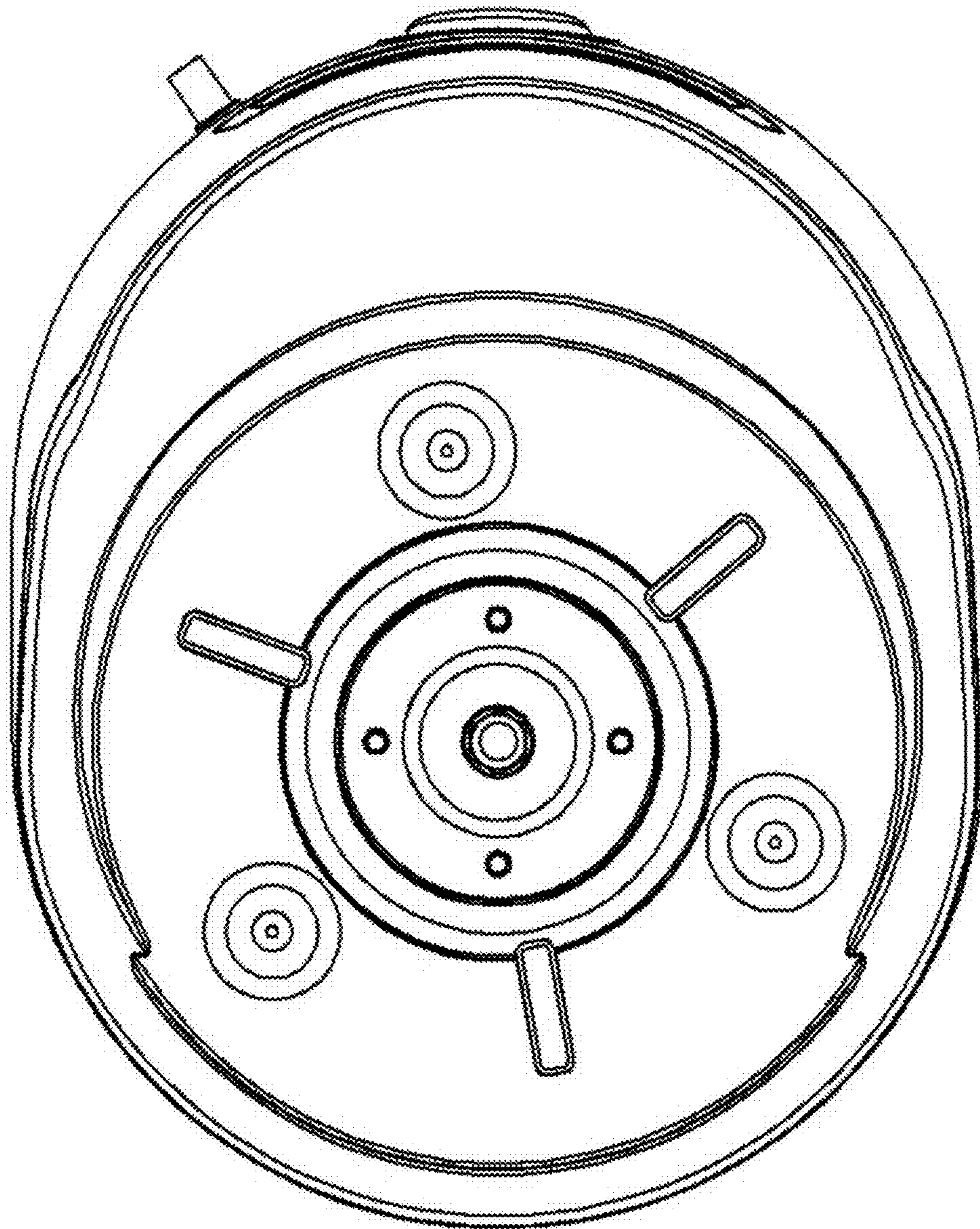
1.4



1.5



1.6



1.7

