



US00D786014S

(12) **United States Design Patent** (10) **Patent No.:** **US D786,014 S**
Knight (45) **Date of Patent:** **** May 9, 2017**

- (54) **FIREBOX DOOR SHUTTER OF A BARBECUE OVEN**
- (71) Applicant: **David B. Knight & Associates, Inc.**, Cape Girardeau, MO (US)
- (72) Inventor: **David B. Knight**, Cape Girardeau, MO (US)
- (73) Assignee: **David B. Knight & Associates, Inc.**, Cape Girardeau, MO (US)

D485,116	S	*	1/2004	Kwok	D7/334
D504,275	S	*	4/2005	Pai	D7/337
D511,433	S	*	11/2005	Zhang	D7/337
D534,755	S	*	1/2007	Knights	D7/332
D615,814	S	*	5/2010	Creel	D7/402
D623,888	S	*	9/2010	Chung	D7/334
D653,494	S	*	2/2012	Chung	D7/334
D653,897	S	*	2/2012	Chung	D7/332
D747,620	S	*	1/2016	Chung	D7/332
2008/0098906	A1		5/2008	Davis		
2011/0094496	A1		4/2011	McCown		
2013/0019760	A1		1/2013	West		
2015/0164278	A1		6/2015	Kohler et al.		

(**) Term: **14 Years**

(21) Appl. No.: **29/526,127**

(22) Filed: **May 6, 2015**

Related U.S. Application Data

- (63) Continuation of application No. 14/702,297, filed on May 1, 2015.
- (51) **LOC (10) Cl.** **07-02**
- (52) **U.S. Cl.**
USPC **D7/405**
- (58) **Field of Classification Search**
USPC D7/402-408, 339-340, 346-349, D7/350.1-351, 323, 330-338
CPC H05B 6/763; H05B 6/6414; H05B 6/6408; Y02B 40/14; Y02B 40/143; Y02B 40/146; F24C 15/02; F24C 1/00; F24C 14/00; F24C 3/00; F24C 5/00; F24C 7/00; A47J 37/07; A47J 37/06
See application file for complete search history.

(56) **References Cited**

U.S. PATENT DOCUMENTS

3,561,348	A	2/1971	Weir, Sr.	
5,195,423	A	3/1993	Beller	
D409,436	S	*	5/1999	Smith D7/334
D464,228	S	*	10/2002	Hsu D7/337
D482,561	S	*	11/2003	Yeh D7/332

(Continued)

OTHER PUBLICATIONS

My build's—p. 2, SmokingMeatForums [online], published May 5, 2011, [retrieved on Sep. 12, 2016]. Retrieved from the Internet <URL: <http://www.smokingmeatforums.com/t/105207/my-builds/20>>.*

(Continued)

Primary Examiner — Sheryl Lane

Assistant Examiner — Nicole Shiflet

(74) *Attorney, Agent, or Firm* — Senniger Powers LLP

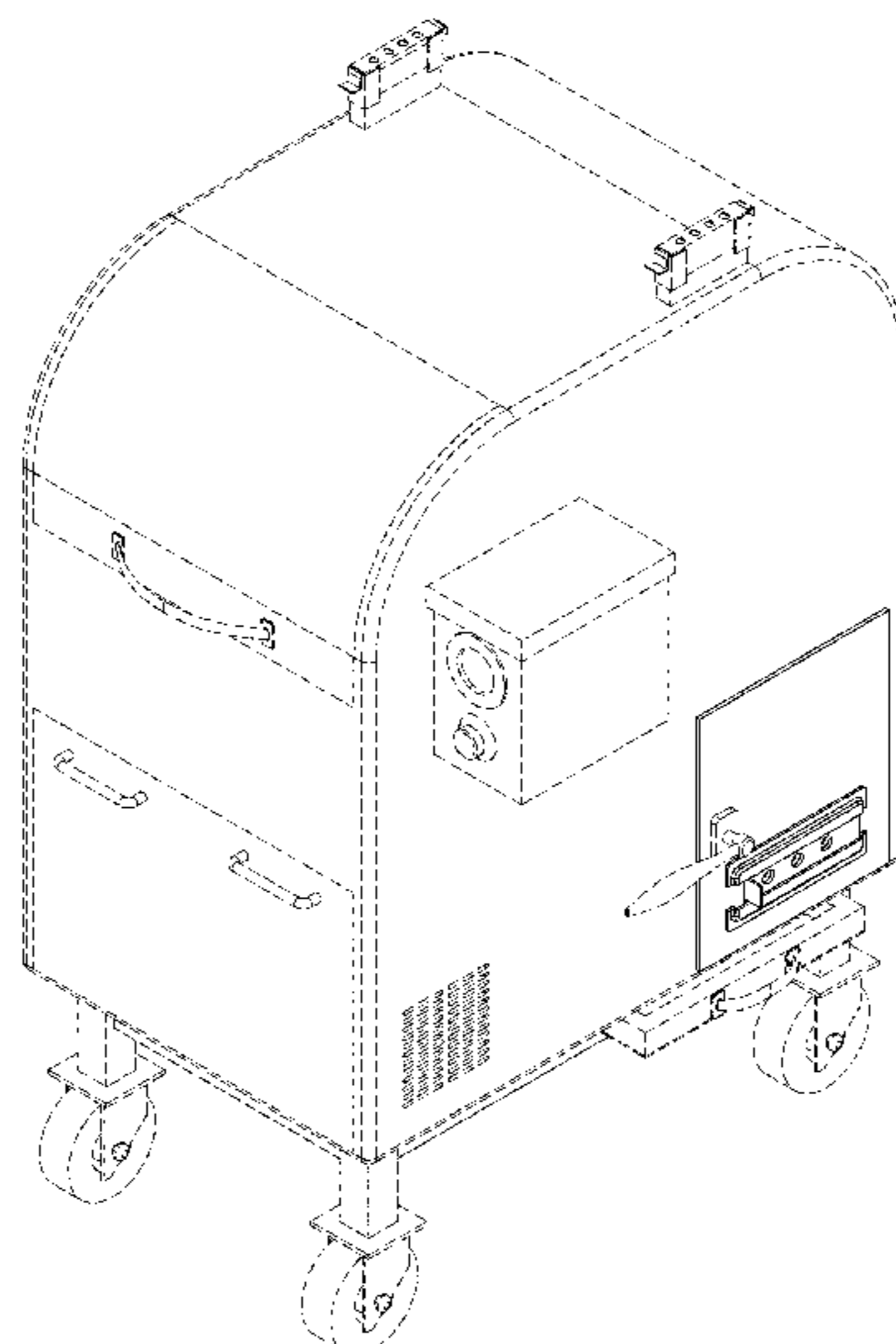
(57) **CLAIM**

The ornamental design for a firebox door shutter of a barbecue oven, as shown and described.

DESCRIPTION

FIG. 1 is a left perspective view of a firebox door shutter of a barbecue oven;
FIG. 2 is an enlarged front view thereof;
FIG. 3 is a right perspective view of a firebox door shutter of a barbecue oven with a different type of barbecue oven shown in broken lines; and,
FIG. 4 is an enlarged front view thereof.
The broken lines showing portions of the barbecue oven form no part of the claimed design.

1 Claim, 4 Drawing Sheets



(56)

References Cited

U.S. PATENT DOCUMENTS

2016/0135645 A1 5/2016 Walters et al.
2017/0020148 A1 1/2017 Dixon et al.

OTHER PUBLICATIONS

Intake styles?, SmokingMeatForums [online], published Feb. 24, 2014, [retrieved on Sep. 12, 2016]. Retrieved from the Internet <URL: <http://www.smokingmeatforums.com/t/157515/intake-styles>>.*

Non-Final Office action for U.S. Appl. No. 14/702,297, Mar. 8, 2017, 11 pages.

* cited by examiner

FIG. 1

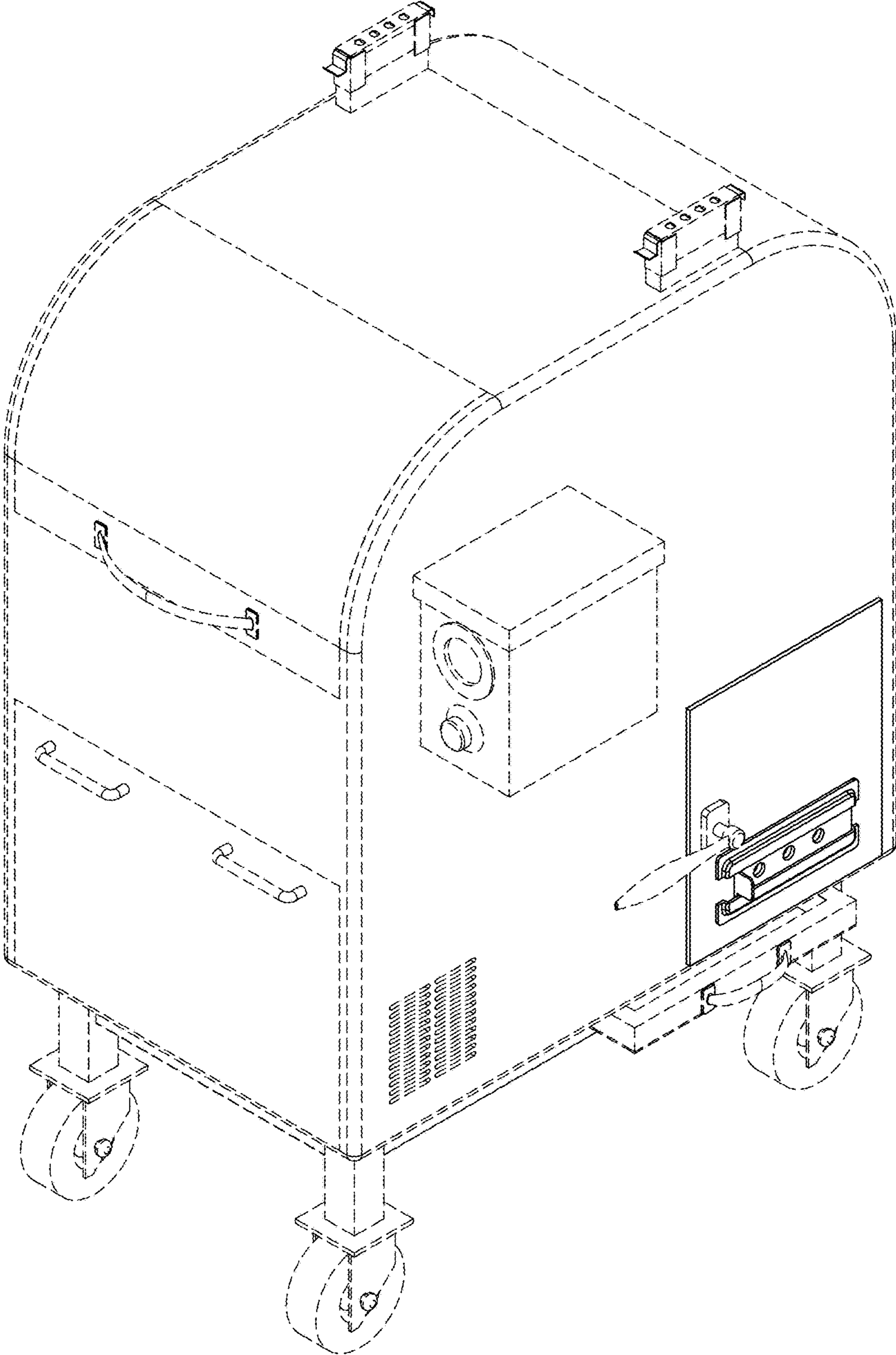


FIG. 2

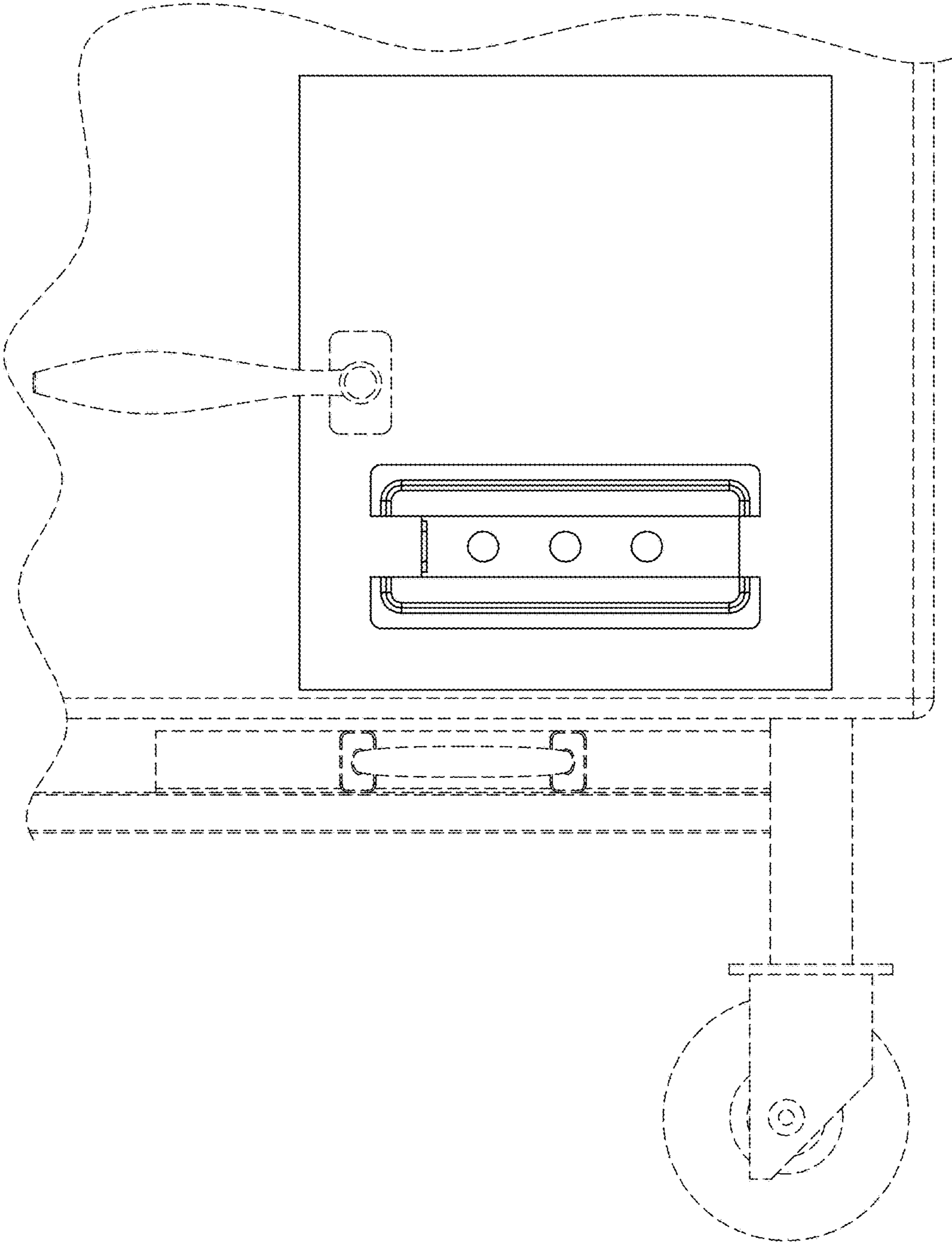


FIG. 3

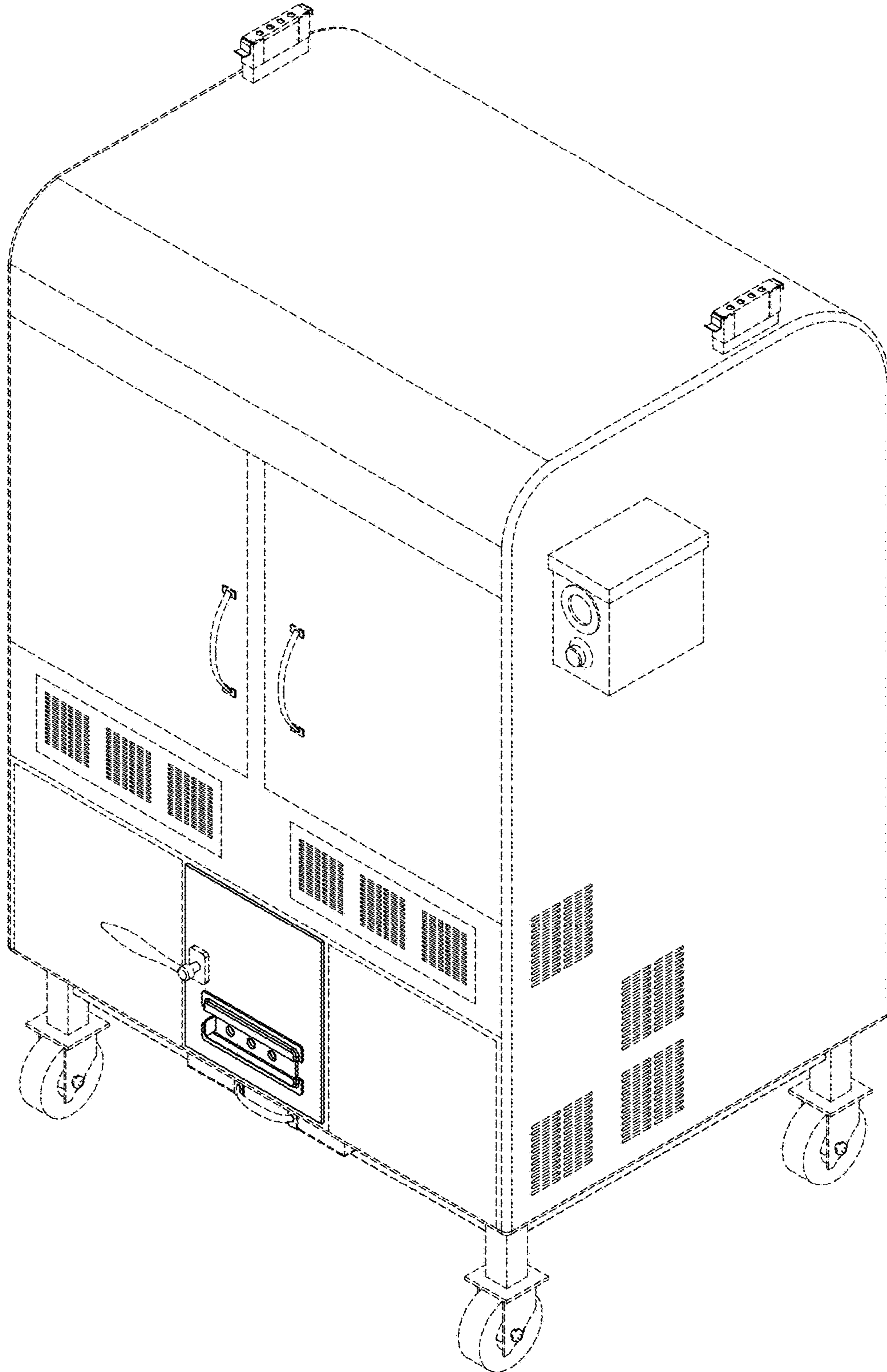


FIG. 4

