



US00D786012S

(12) **United States Design Patent**  
**Hein et al.**

(10) **Patent No.:** **US D786,012 S**

(45) **Date of Patent:** **\*\* May 9, 2017**

(54) **SPORTS BOTTLE CAP**

(71) Applicant: **Helen of Troy Limited**, St. Michael (BB)

(72) Inventors: **Benjamin Robert Hein**, Bend, OR (US); **Brian George Goodwin**, Bend, OR (US); **Ryan James Diener**, Bend, OR (US); **Justin Taylor**, Bend, OR (US)

(73) Assignee: **Helen of Troy Limited**, St. Michael (BB)

(\*\*) Term: **15 Years**

(21) Appl. No.: **29/558,154**

(22) Filed: **Mar. 15, 2016**

(51) **LOC (10) Cl.** ..... **07-01**

(52) **U.S. Cl.**  
USPC ..... **D7/396.2**

(58) **Field of Classification Search**  
USPC ... D7/396.2, 392.1, 509–511, 513, 533, 586, D7/301–303, 619.1, 536; D9/523–525, D9/528–529, 531, 536, 544, 435–436, D9/439, 440, 443, 447; D3/202, 215  
CPC ..... A47G 19/22; A47G 19/2205; A47G 19/2272; B65D 2543/00046; B65D 2543/00027; B65D 2543/00055; B65D 2543/00009; B65D 2539/00; B65D 39/00; B65D 41/00; B65D 41/02; B65D 41/023; B65D 41/04; B65D 43/00; B65D 43/02; B65D 43/0225; B65D 43/0233; B65D 43/06; B65D 43/12; B65D 47/06; B65D 47/061; B65D 47/065; B65D 47/08  
See application file for complete search history.

(56) **References Cited**

**U.S. PATENT DOCUMENTS**

1,879,820 A 9/1932 Perry  
2,622,415 A 12/1952 Landers et al.

2,863,585 A 12/1958 Meshberg  
D191,620 S 10/1961 Bloch et al.  
3,194,468 A 7/1965 Baron  
D223,704 S 5/1972 Cheladze  
3,765,559 A 10/1973 Sauvey et al.  
4,151,923 A 5/1979 Bernardi  
D267,849 S 2/1983 Groenewold et al.  
D271,650 S 12/1983 Groenewold et al.

(Continued)

**FOREIGN PATENT DOCUMENTS**

JP D1507855 S 9/2014  
KR 30-0733635 S 3/2014  
TW D107807 S 11/2005

**OTHER PUBLICATIONS**

Hydro Flask Just Got Better—New Flex Cap Improves Insulation & Portability, posted at Hydrationanywhere.com, posted on Jul. 16, 2016, site visited Dec. 16, 2016 <<https://hydrationanywhere.com/hydro-flask-just-got-better-new-flex-cap-improves-insulation-portability/>>.\*

(Continued)

*Primary Examiner* — Barbara Fox  
*Assistant Examiner* — Messina L Smith  
(74) *Attorney, Agent, or Firm* — Kolisch Hartwell, P.C.

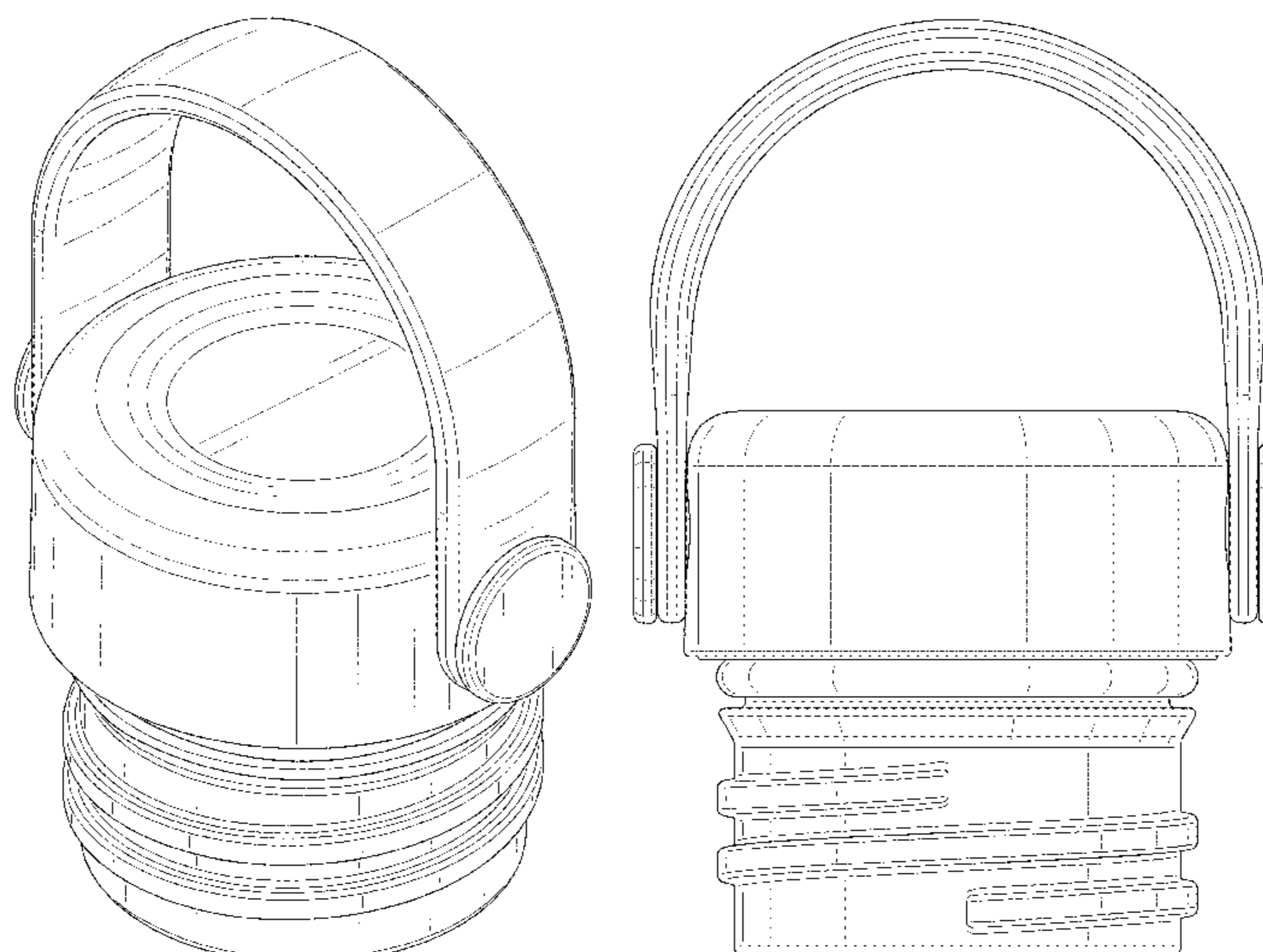
(57) **CLAIM**

The ornamental design for a sports bottle cap, as shown.

**DESCRIPTION**

FIG. 1 is an upper, front, and left side perspective view of a sports bottle cap showing our new design; FIG. 2 is a front elevation view thereof; FIG. 3 is a rear elevation view thereof; FIG. 4 is a right side elevation view thereof; FIG. 5 is a left side elevation view thereof; FIG. 6 is a top plan view thereof; and, FIG. 7 is a bottom plan view thereof.

**1 Claim, 7 Drawing Sheets**



(56)

References Cited

U.S. PATENT DOCUMENTS

D273,651 S 5/1984 Emrick  
 5,076,463 A 12/1991 McGraw  
 5,931,351 A \* 8/1999 Renualt ..... B65D 45/04  
 215/286  
 D424,875 S 5/2000 Husted  
 D446,687 S 8/2001 Furman et al.  
 D474,047 S 5/2003 Lara  
 D488,348 S 4/2004 Liu  
 D489,573 S 5/2004 Li  
 D490,274 S 5/2004 Irvine  
 D495,199 S 8/2004 Matthews  
 D502,633 S 3/2005 Liu  
 D506,640 S 6/2005 Marck et al.  
 D506,910 S 7/2005 Tham-Itthisak  
 6,913,165 B2 7/2005 Linz et al.  
 6,921,179 B2 7/2005 Diak Ghanem  
 D533,748 S 12/2006 Bresler  
 D537,677 S 3/2007 Bresler  
 D548,534 S 8/2007 Sullivan  
 D550,509 S 9/2007 Dretzka  
 D552,420 S 10/2007 Liu  
 D553,439 S 10/2007 Bodum  
 D554,822 S 11/2007 Dretzka  
 D561,535 S 2/2008 Jin  
 D565,352 S 4/2008 Williams  
 D577,260 S 9/2008 Bodum  
 D581,739 S 12/2008 Bodum  
 D582,724 S 12/2008 Dretzka  
 D590,662 S 4/2009 Cheng  
 D620,357 S \* 7/2010 Jewett ..... D9/443  
 D621,658 S 8/2010 Rice  
 D622,089 S \* 8/2010 Daniel ..... D7/313  
 D622,547 S 8/2010 Carreno  
 D629,253 S 12/2010 Eubank et al.  
 D640,505 S 6/2011 George  
 D655,982 S 3/2012 Liu  
 D672,238 S \* 12/2012 Aziz ..... D7/510  
 D672,609 S \* 12/2012 Aziz ..... D7/507  
 D682,035 S 5/2013 Monugian  
 D713,204 S 9/2014 Katterheinrich et al.  
 D720,185 S 12/2014 Kaiser  
 D722,825 S 2/2015 Miller  
 D724,385 S \* 3/2015 Hurley ..... D7/511  
 D731,251 S 6/2015 Lane  
 9,052,105 B2 6/2015 Zalon  
 D750,436 S 3/2016 Hopkins et al.  
 D760,586 S \* 7/2016 Seiders ..... D7/392.1  
 D762,418 S \* 8/2016 Sorensen ..... D7/511  
 2007/0171768 A1 7/2007 Dallaire  
 2012/0132658 A1 5/2012 Dans et al.  
 2014/0124513 A1 5/2014 Shearer

2014/0263368 A1 9/2014 Booska  
 2014/0263602 A1 9/2014 Leser et al.  
 2016/0318693 A1\* 11/2016 Hein ..... B65D 41/0442

OTHER PUBLICATIONS

New Hydro Flask Flex Cap Available, posted at Motusworld.com, posted on May 2016, site visited Dec. 16, 2016, <<http://motusworld.com/2016/05/new-hydro-flask-flex-cap-available/>>.\*  
 Meet the Flex Cap.A comfortable new way to carry, posted at Hydroflask.com, no posting date given, © 2016, site visited Dec. 16, 2016, <<https://www.hydroflask.com/explore/innovation/>>.\*  
 Klean Kanteen, 16 oz, Tumbler, product was commercially available and could be located at <http://www.kleankanteen.com/products/cups-tumblers/steel-insulated-tumbler.php> prior to the filing date of the instant application.  
 Innate, 16 oz Siason Beer Sleeve, product was commercially available and could be located at <http://www.innate-gear.com/product-info/new-saison-beer-sleeve> prior to the filing date of the instant application.  
 Yeti, 20 oz & 30 oz Rambler Tumblers, product was commercially available and could be located at <http://yeticoolers.com/rambler-tumblers/> prior to the filing date of the instant application.  
 Steelys, Double Walled but not vacuum insulated, product was commercially available and could be located at <http://steelysdrinkware.com/product/steelys-insulated-stainless-pint-cup/> prior to the filing date of the instant application.  
 Jul. 3, 2013, Thermos Vacuum Insulated Tumbler, available at [basetdelighttokyo.wordpress.com](http://basetdelighttokyo.wordpress.com), see Oct. 23, 2015 final Office action in Design U.S. Appl. No. 29/498,609, which is another application of Applicant Steel Technology, LLC.  
 May 14, 2014, Klean Kanteen Stainless Steel Pint Cups, available at <http://www.kleankanteen.com/products/cups-tumblers/steel-cups-tumblers.php>, see Oct. 23, 2015 final Office action in Design U.S. Appl. No. 29/498,609, which is another application of Applicant Steel Technology, LLC.  
 Jul. 16, 2015, Office action from US Patent and Trademark Office, in Design U.S. Appl. No. 29/498,609, which is another application of Applicant Steel Technology, LLC.  
 Aug. 21, 2015, Office action from The Taiwanese Intellectual Property Office, in Taiwanese Patent Application No. 104300571, which is a foreign application of Applicant Steel Technology, LLC.  
 Oct. 23, 2015 final Office action from US Patent and Trademark Office, in Design U.S. Appl. No. 29/498,609, which is another application of Applicant Steel Technology, LLC.  
 Jun. 27, 2016 Notice of Allowance from US Patent and Trademark Office, in Design U.S. Appl. No. 29/498,609, which is another application of Applicant Steel Technology, LLC.

\* cited by examiner

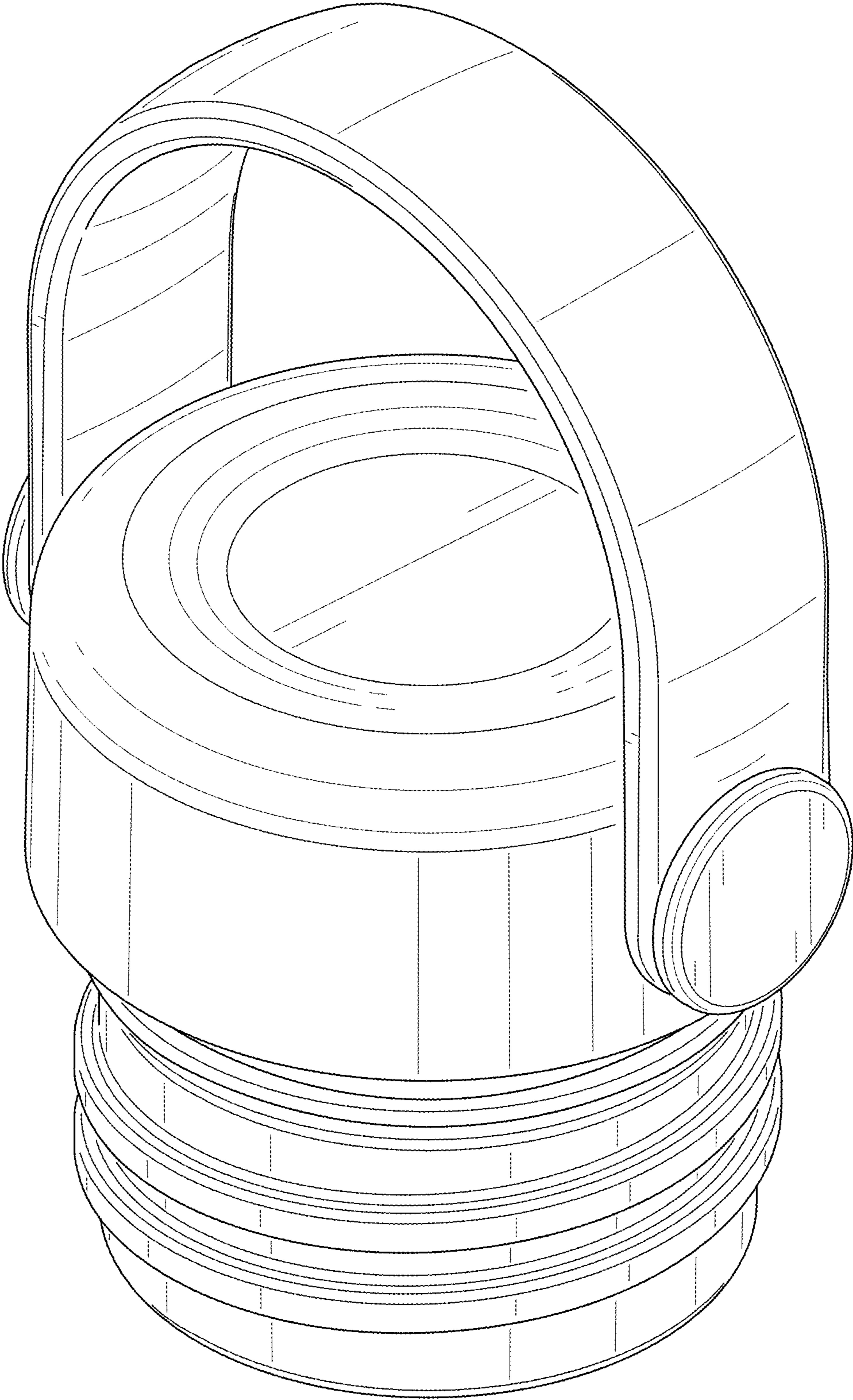


FIG. 1

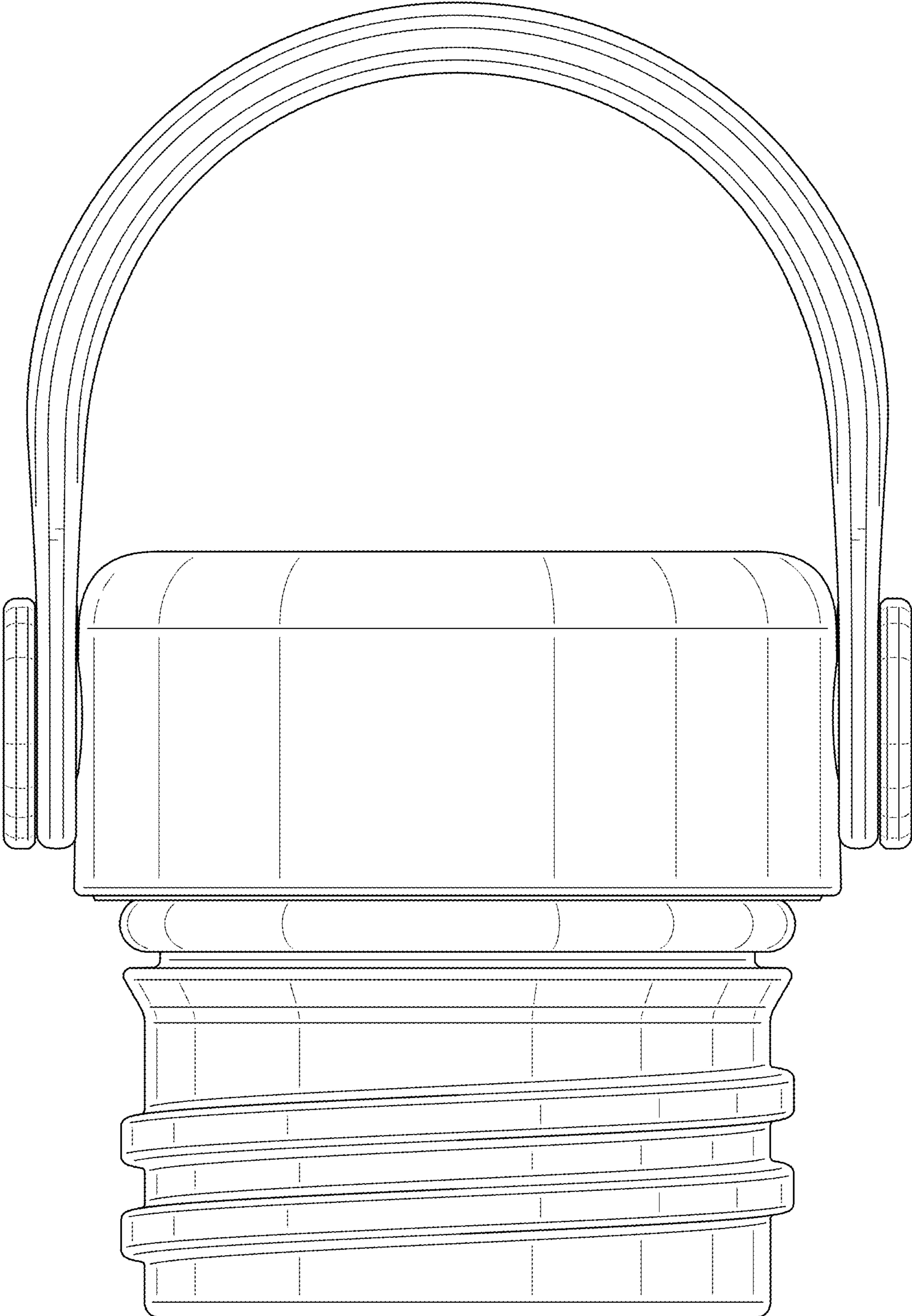


FIG. 2

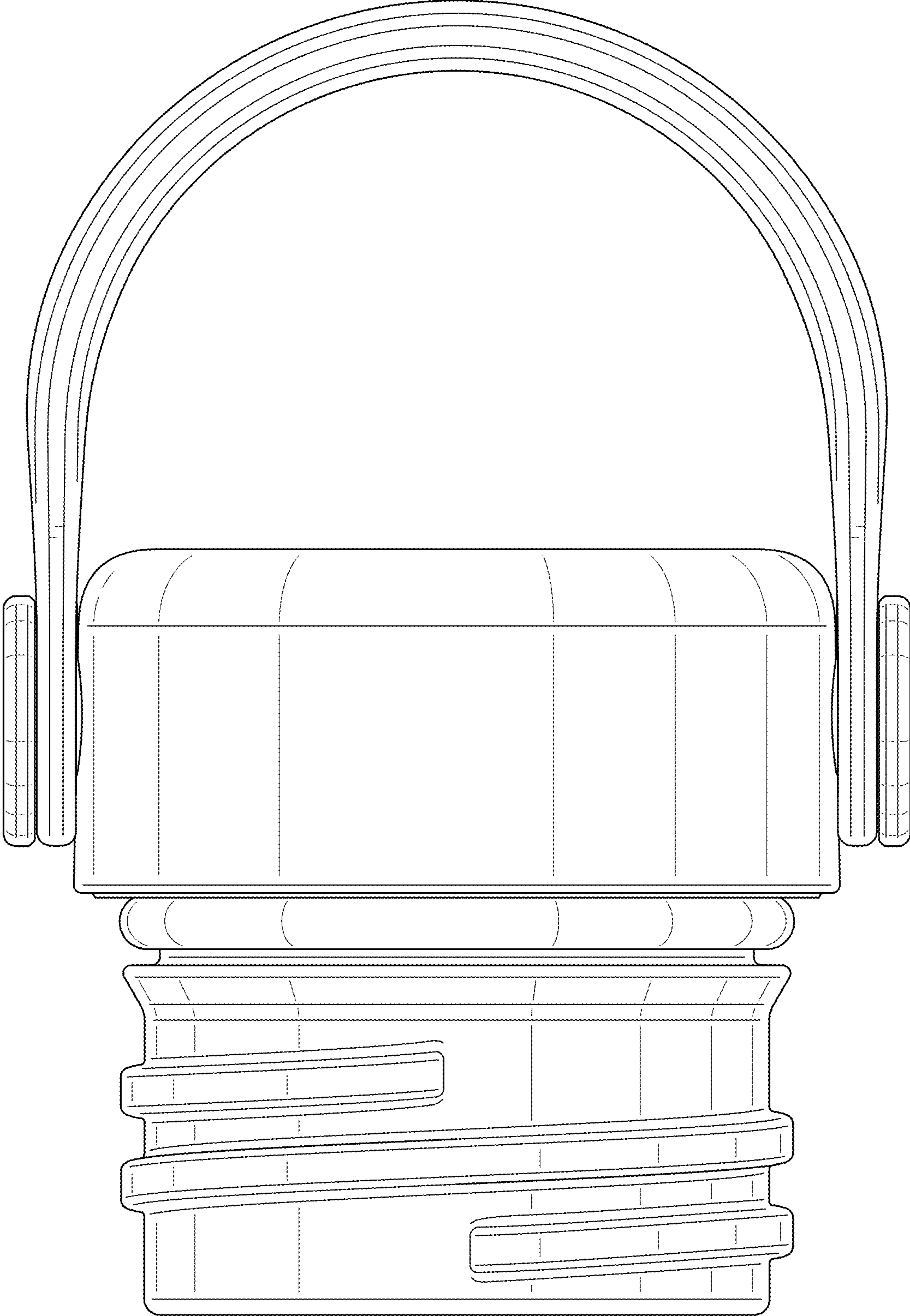


FIG. 3

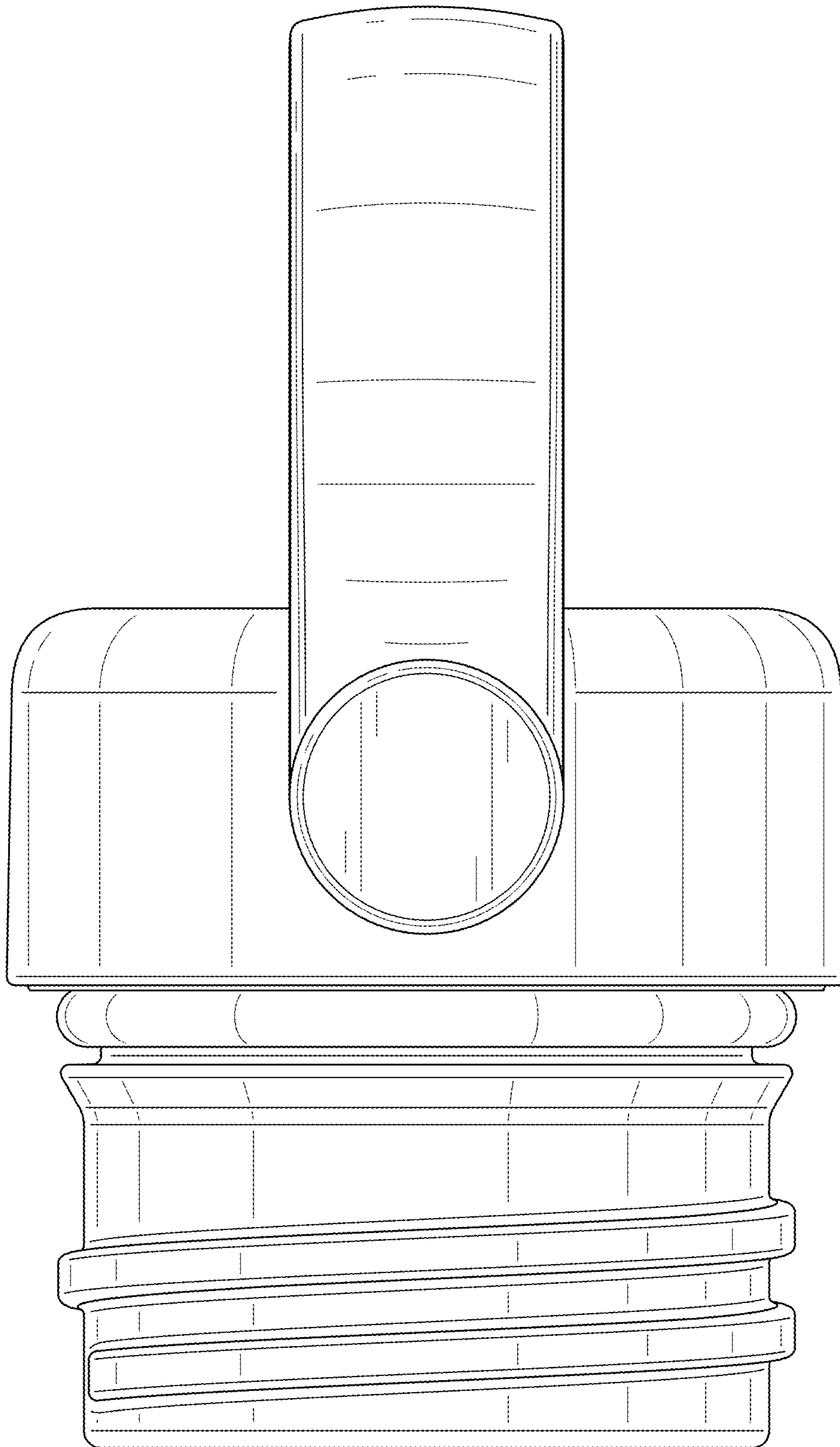


FIG. 4

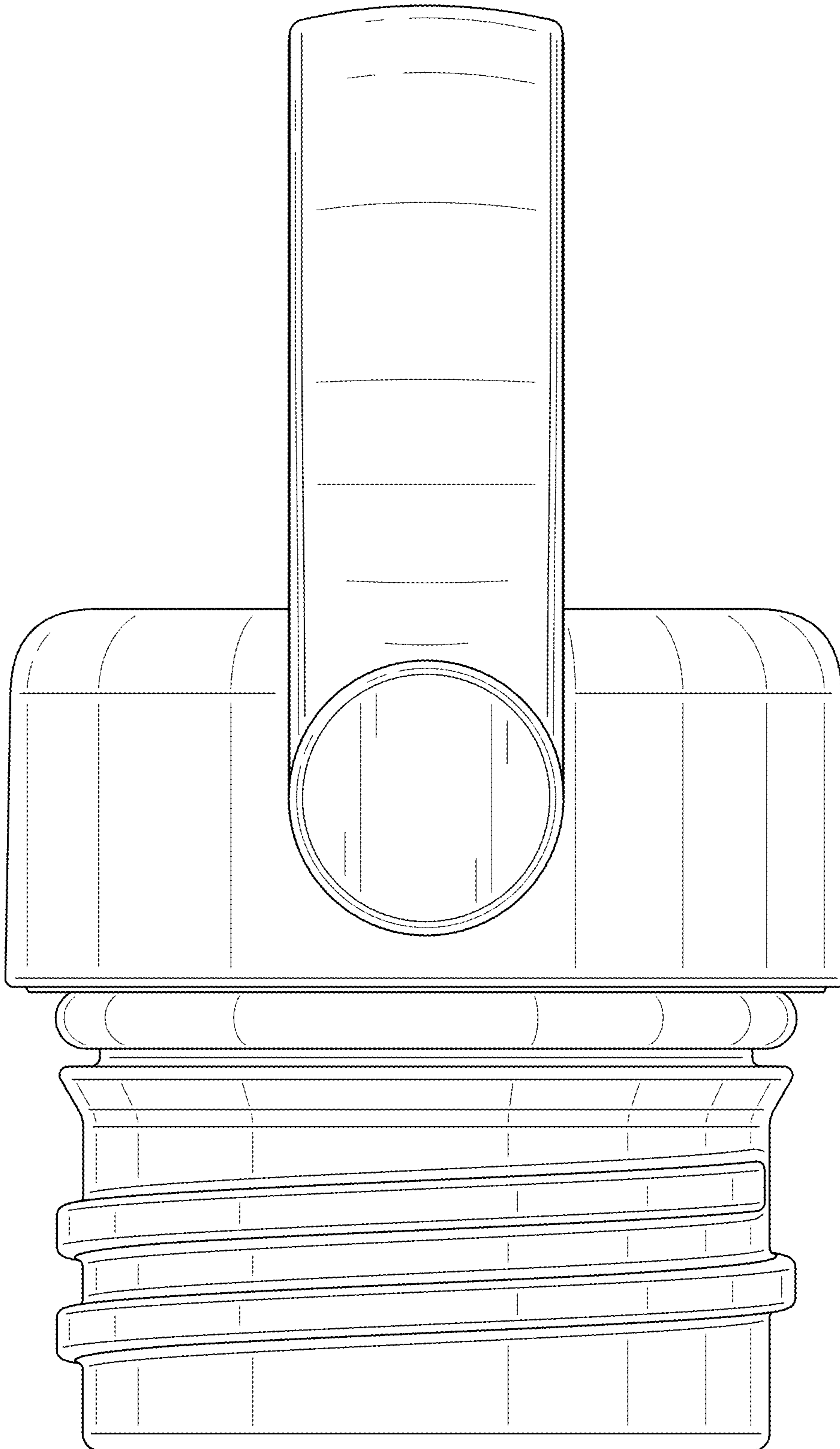


FIG. 5

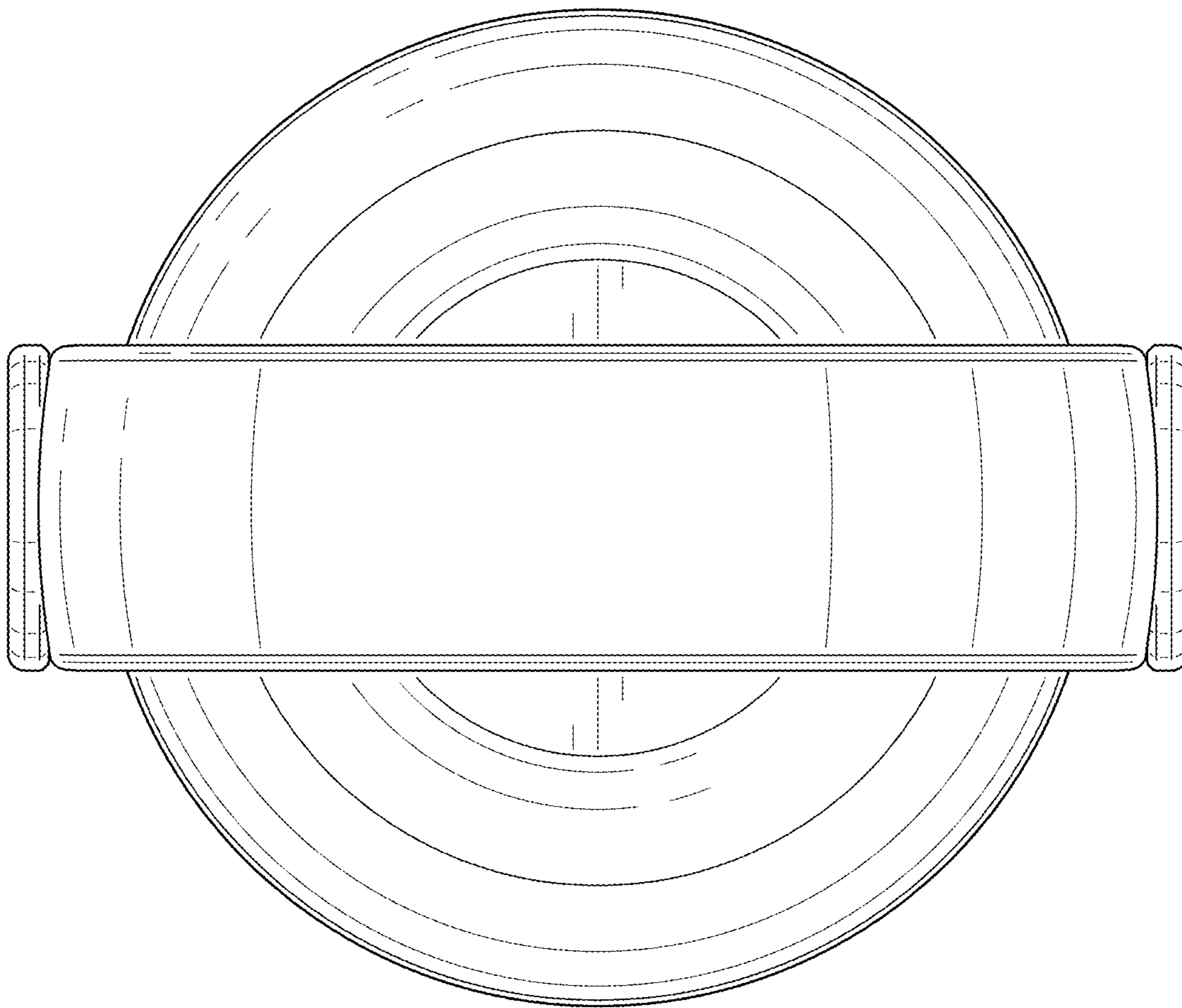


FIG. 6



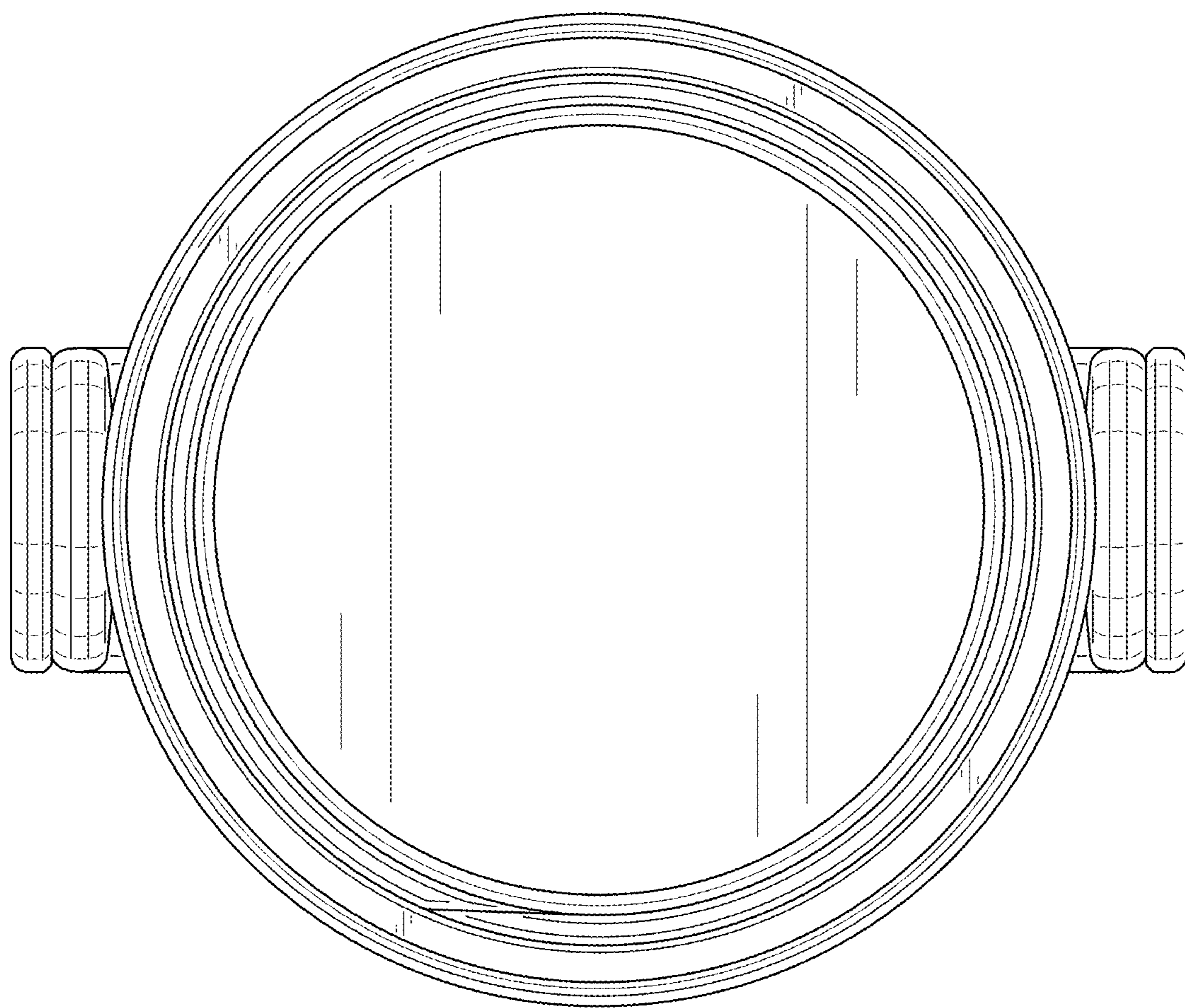


FIG. 7