



US00D786005S

(12) **United States Design Patent**
Kim et al.

(10) **Patent No.:** **US D786,005 S**

(45) **Date of Patent:** **** May 9, 2017**

(54) **GAS OVEN RANGE**

(71) Applicant: **LG ELECTRONICS INC.**, Seoul (KR)

(72) Inventors: **Myungshik Kim**, Seoul (KR);
Sangwoog Cho, Seoul (KR); **Jaehun Chung**, Seoul (KR); **Sangwoo Kim**, Seoul (KR)

(73) Assignee: **LG ELECTRONICS INC.**, Seoul (KR)

(**) Term: **15 Years**

(21) Appl. No.: **29/568,609**

(22) Filed: **Jun. 20, 2016**

(30) **Foreign Application Priority Data**

Dec. 21, 2015 (KR) 30-2015-0065227

(51) **LOC (10) Cl.** **07-02**

(52) **U.S. Cl.**
USPC **D7/340; D7/348; D7/346; D7/347**

(58) **Field of Classification Search**
USPC D7/323, 328, 336-337, 339-342,
D7/346-349, 363, 387, 402-408
CPC A47J 36/26; A47J 37/00; A47J 37/0807;
F24C 1/00; F24C 3/00; F24C 7/00; F24C
7/002; F24C 7/046; F24C 7/067
See application file for complete search history.

(56) **References Cited**

U.S. PATENT DOCUMENTS

D400,778 S * 11/1998 Holbrook, Jr. D8/311
D524,095 S * 7/2006 Pino D7/349
D530,972 S * 10/2006 Park D7/340
D555,976 S * 11/2007 Baldwin D7/405
D560,955 S * 2/2008 Shin D7/340

D564,282 S * 3/2008 Suh D7/340
D578,823 S * 10/2008 Kim D7/340
D604,987 S * 12/2009 Jung D7/348
D605,456 S * 12/2009 Bengtson D7/340
D609,966 S * 2/2010 Bengtson D7/405
D610,863 S * 3/2010 Kim D7/340
D612,680 S * 3/2010 Baker D7/405
D612,683 S * 3/2010 Baker D7/405
D612,685 S * 3/2010 Baker D7/405
D617,133 S * 6/2010 Grey D7/340
D622,537 S * 8/2010 Kim D7/340
D623,889 S * 9/2010 Kim D7/340
D634,156 S * 3/2011 Fuller D7/393
D637,886 S * 5/2011 Bengtson D8/311
D642,042 S * 7/2011 Kim D8/311
D646,921 S * 10/2011 Kim D7/340
D651,461 S * 1/2012 Browne D7/405
D653,900 S * 2/2012 Kim D7/340
D655,128 S * 3/2012 Kim D7/340
D670,527 S * 11/2012 Kim D7/340
D670,969 S * 11/2012 Bengtson D7/406
D685,602 S * 7/2013 Lee D7/340

(Continued)

Primary Examiner — Caron D Veynar

Assistant Examiner — Mehri Bajoul

(74) *Attorney, Agent, or Firm* — Birch, Stewart, Kolasch & Birch, LLP

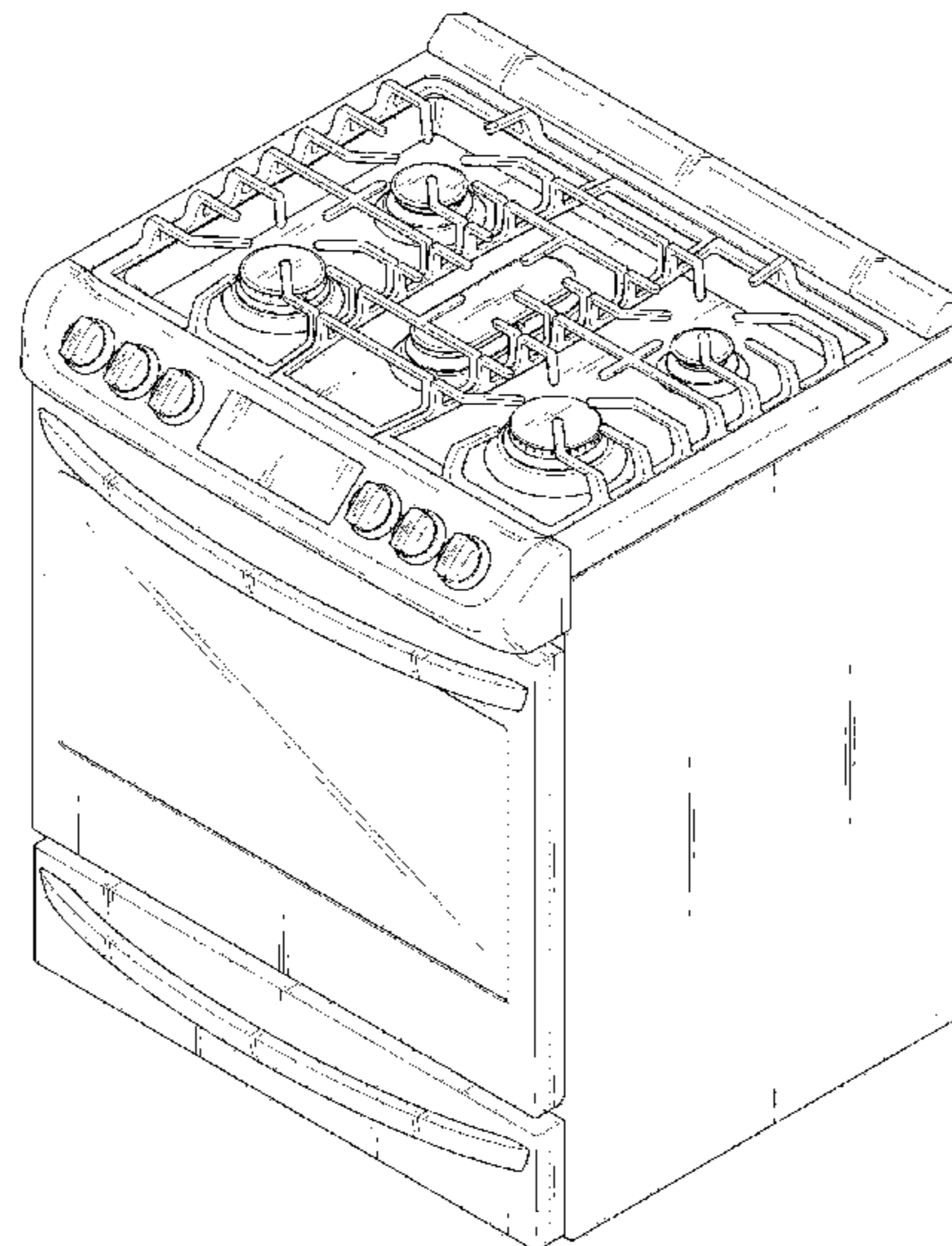
(57) **CLAIM**

The ornamental design for a gas oven range, as shown and described.

DESCRIPTION

FIG. 1 is a front, right side, perspective view of a gas oven range showing our new design;
FIG. 2 is a front view thereof;
FIG. 3 is a rear view thereof;
FIG. 4 is a left side view thereof;
FIG. 5 is a right side view thereof;
FIG. 6 is a top view thereof; and,
FIG. 7 is a bottom view.

1 Claim, 6 Drawing Sheets



(56)

References Cited

U.S. PATENT DOCUMENTS

D697,358	S *	1/2014	Kim	D7/340
D700,469	S *	3/2014	Reay	D7/340
D703,998	S *	5/2014	Funnell, II	D7/393
8,778,180	B2 *	7/2014	Nothen	A21B 1/36 126/369
D710,644	S *	8/2014	Kim	D7/340
D710,645	S *	8/2014	Kim	D7/340
D714,096	S *	9/2014	Boo	D7/406
D722,815	S *	2/2015	Fuller	D7/393
D731,844	S *	6/2015	Kim	D7/340
D731,845	S *	6/2015	Kim	D7/340
D736,553	S *	8/2015	Funnell, II	D7/339
D750,413	S *	3/2016	Funnell, II	D7/348
D755,007	S *	5/2016	Lee	D7/405
D755,558	S *	5/2016	Lee	D7/340
D755,563	S *	5/2016	Kim	D7/406
9,404,661	B2 *	8/2016	Kim	F24C 7/067
D765,459	S *	9/2016	Shoemaker	D7/339
D773,232	S *	12/2016	Shoemaker	D7/339
D775,493	S *	1/2017	Funnell, II	D7/406
2004/0107545	A1 *	6/2004	Worrell	G05G 1/10 16/441
2008/0105248	A1 *	5/2008	Lee	F24C 15/02 126/19 R
2013/0019853	A1 *	1/2013	Kim	F24C 15/02 126/190
2014/0035453	A1 *	2/2014	Kwon	A47B 95/02 312/325
2014/0097172	A1 *	4/2014	Kang	F24C 15/02 219/394

* cited by examiner

FIG. 1

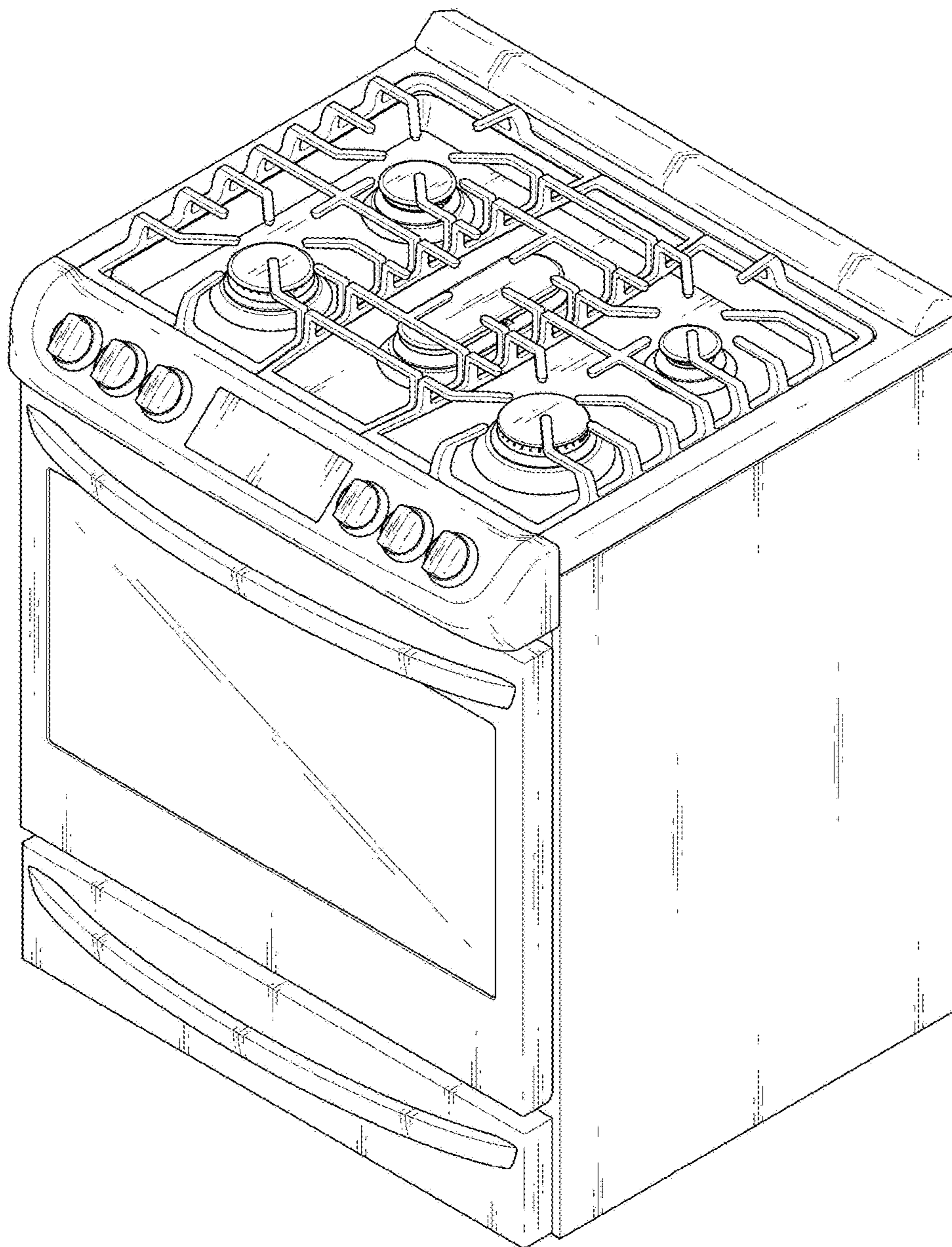


FIG. 2

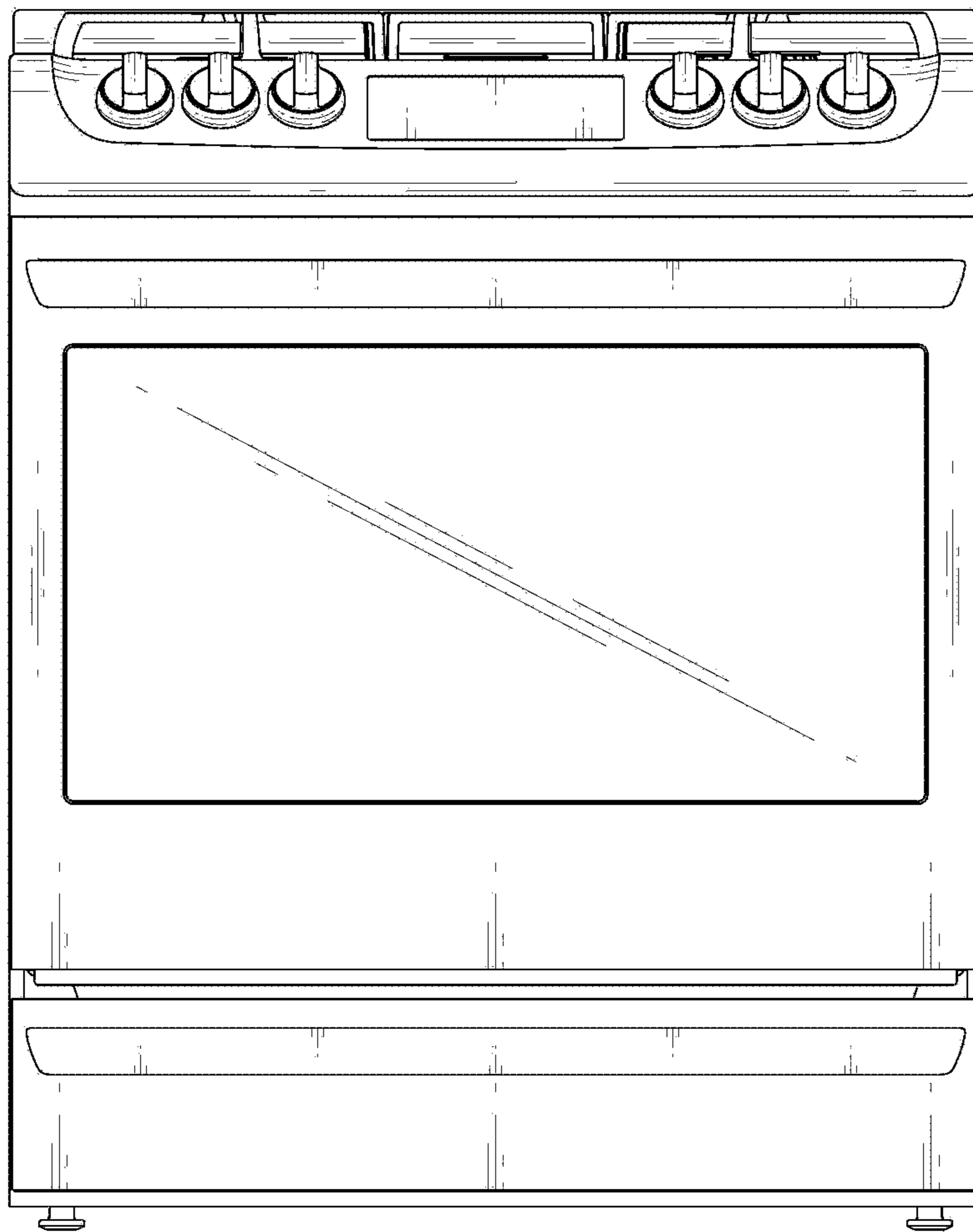


FIG. 3



FIG. 4

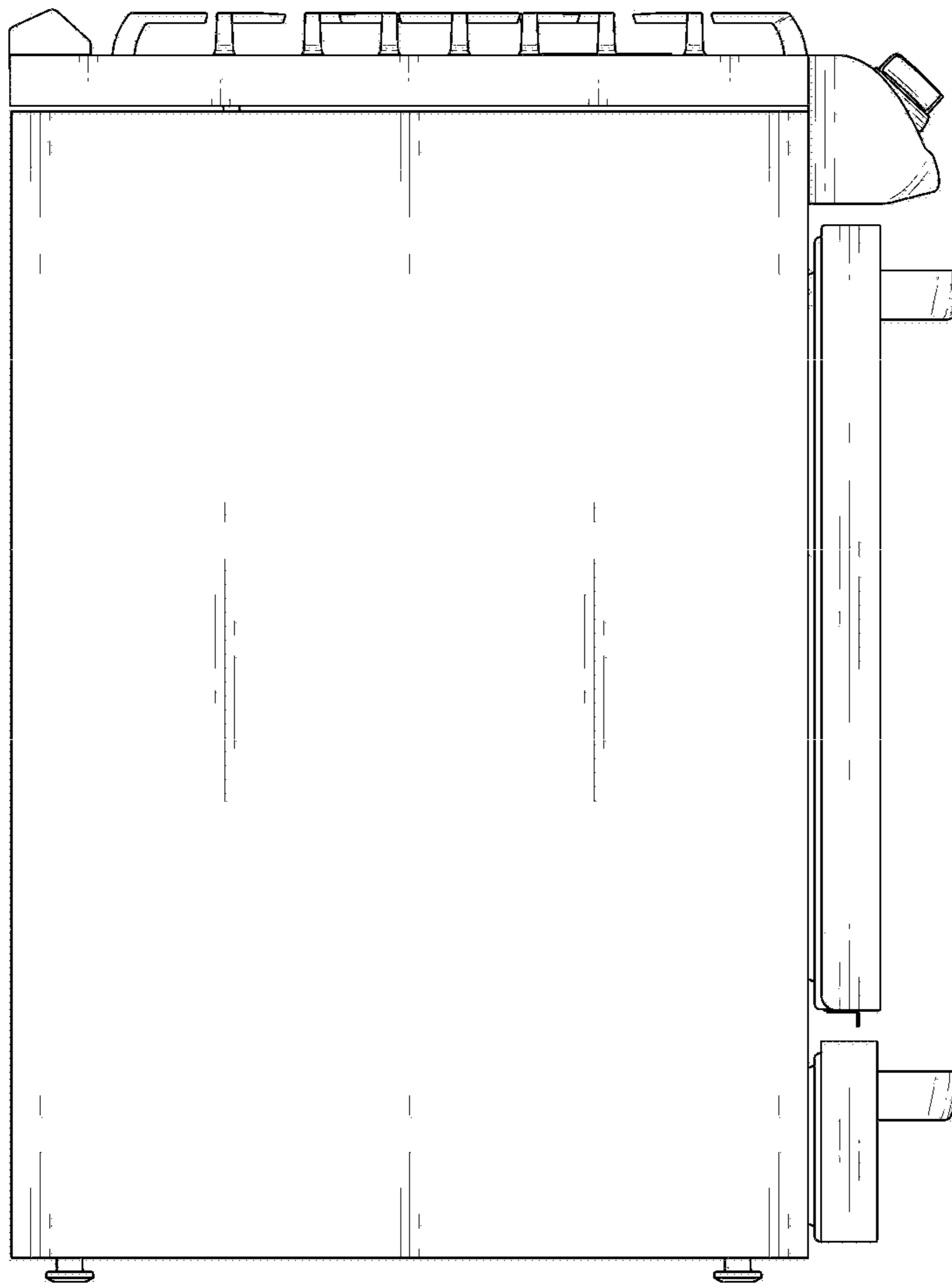


FIG. 5

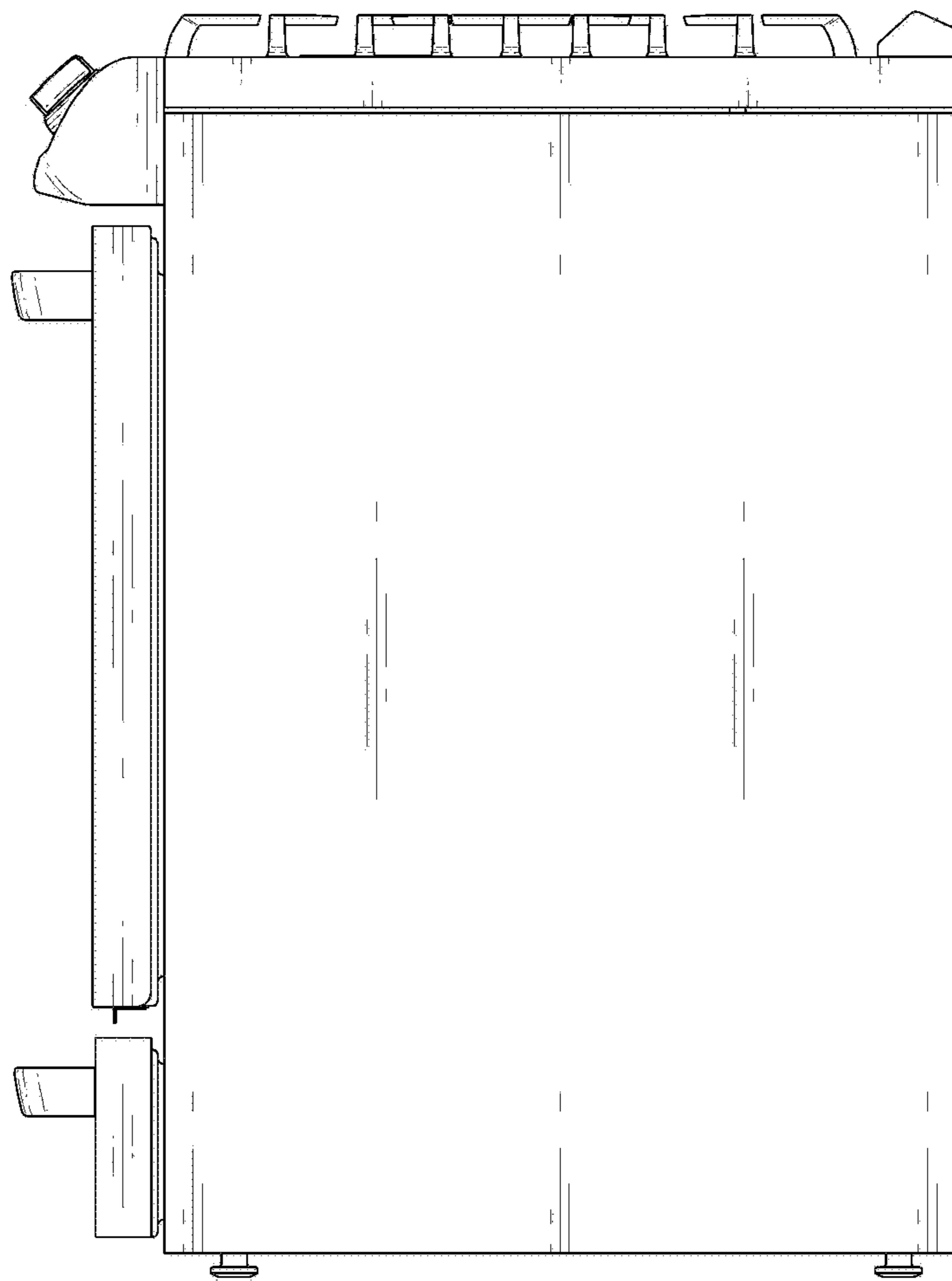


FIG. 6

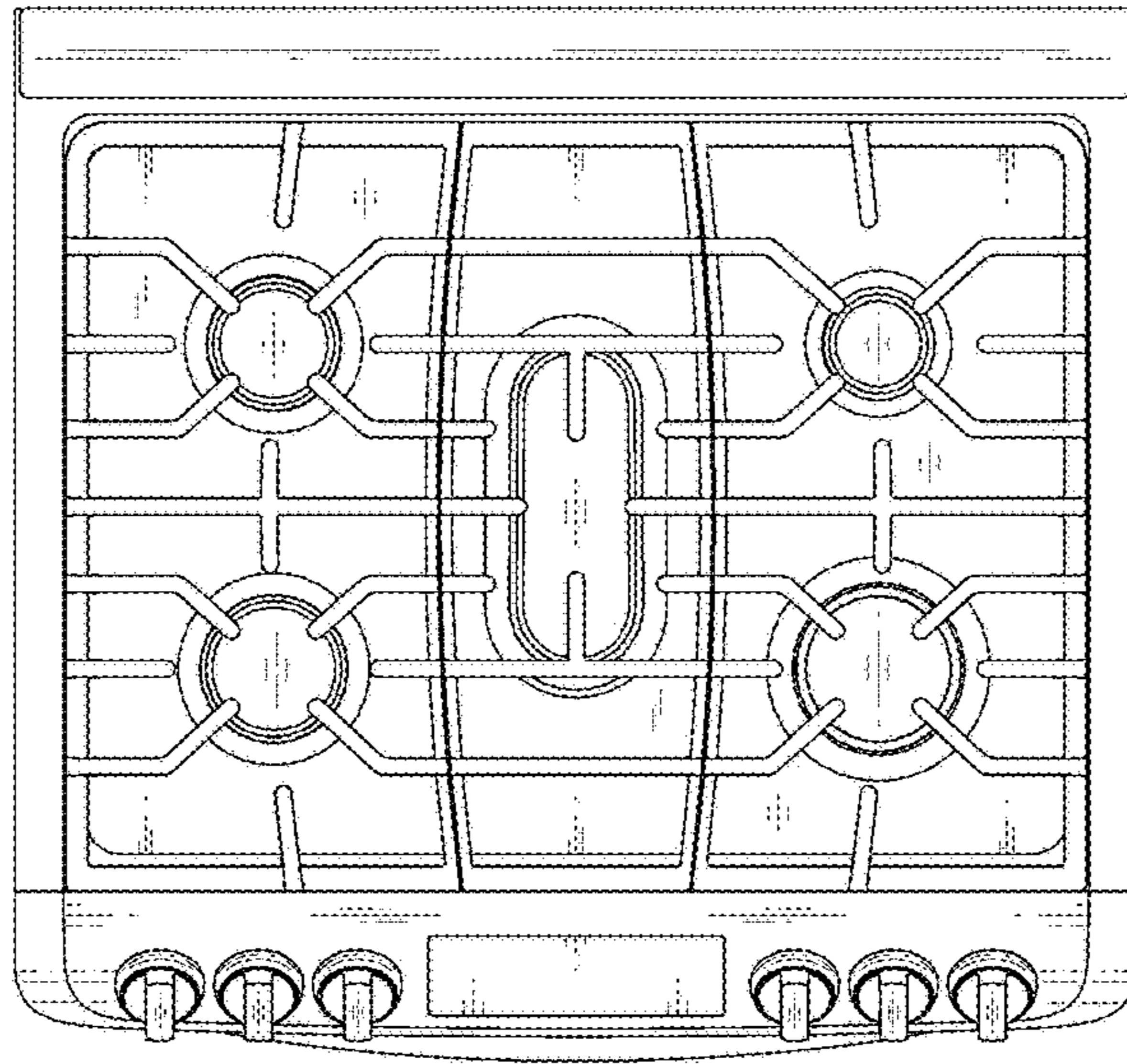


FIG. 7

