



US00D786004S

(12) **United States Design Patent** (10) **Patent No.:** **US D786,004 S**  
**Yang** (45) **Date of Patent:** **\*\* May 9, 2017**

(54) **BARBECUE GRILL**  
(71) Applicant: **Hui-Feng Yang**, Taichung (TW)  
(72) Inventor: **Hui-Feng Yang**, Taichung (TW)  
(\*\*) Term: **15 Years**  
(21) Appl. No.: **29/557,780**  
(22) Filed: **Mar. 11, 2016**  
(51) **LOC (10) Cl.** ..... **07-02**  
(52) **U.S. Cl.**  
USPC ..... **D7/334**  
(58) **Field of Classification Search**  
USPC ..... D7/213, 323, 324, 325, 326, 327, 328,  
D7/329, 330, 331, 332, 333, 334, 335,  
D7/336, 337, 402, 404, 405, 406, 407  
CPC ..... A47J 37/0781; A47J 2037/0777; A47J  
37/0745–37/0772; A47J 37/0731–37/074;  
A47J 37/0718–37/0727; A47J  
37/07–37/0713; A47J 37/04; A47J  
37/041; A47J 33/00  
See application file for complete search history.

D722,810 S \* 2/2015 Chung ..... D7/334  
D723,321 S \* 3/2015 Chung ..... D7/334  
D723,860 S \* 3/2015 Chung ..... D7/334  
D726,491 S \* 4/2015 Witzel ..... D7/334  
D731,843 S \* 6/2015 Chung ..... D7/334  
D732,874 S \* 6/2015 Chung ..... D7/334  
D736,026 S \* 8/2015 Kam ..... D7/334  
D737,092 S \* 8/2015 Lin ..... D7/334  
D744,775 S \* 12/2015 Yang ..... D7/334  
D747,909 S \* 1/2016 Simms, II ..... D7/332  
D748,423 S \* 2/2016 Chiang ..... D7/334  
D753,430 S \* 4/2016 Wagner ..... D7/334  
D769,667 S \* 10/2016 Ting ..... D7/332  
D773,229 S \* 12/2016 Jaggard ..... D7/334  
D773,879 S \* 12/2016 Magee ..... D7/334  
2008/0121118 A1 \* 5/2008 Sikes ..... A47J 37/07  
99/447  
2008/0229937 A1 \* 9/2008 Stephen ..... A47J 37/07  
99/421 R  
2010/0132689 A1 \* 6/2010 Contarino, Jr. .... A47J 37/067  
126/25 B

(Continued)

*Primary Examiner* — Manpreet Matharu  
*Assistant Examiner* — Suzanne Tisdell  
(74) *Attorney, Agent, or Firm* — Egbert Law Offices,  
PLLC

(56) **References Cited**  
U.S. PATENT DOCUMENTS

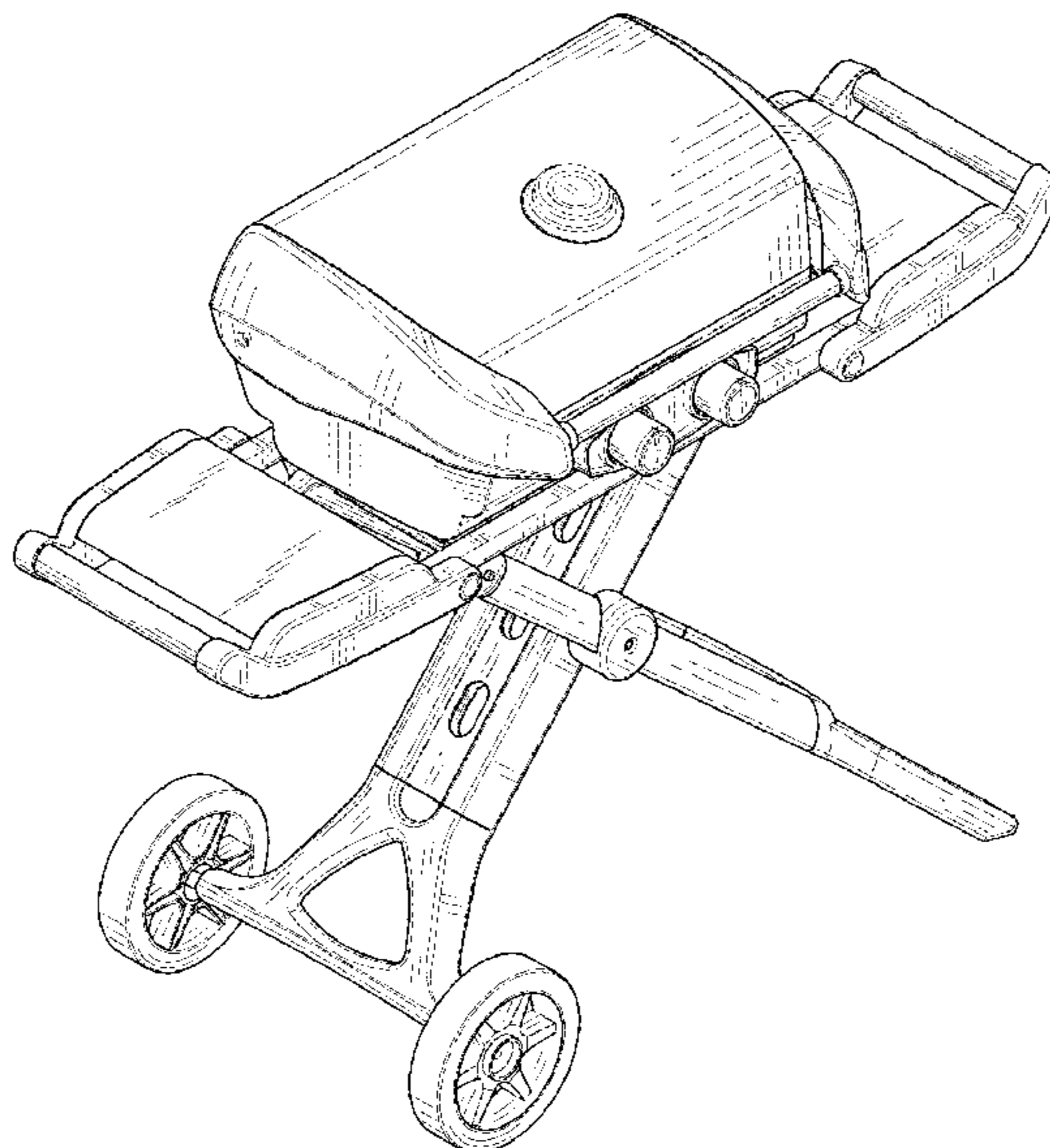
D465,693 S \* 11/2002 Coleman ..... D7/334  
D494,004 S \* 8/2004 Chapman ..... D7/334  
D525,072 S \* 7/2006 Wilgus ..... D7/334  
D579,709 S \* 11/2008 Proffitt ..... D7/334  
D658,926 S \* 5/2012 Chung ..... D7/334  
D660,074 S \* 5/2012 Chung ..... D7/334  
D661,538 S \* 6/2012 Chung ..... D7/334  
D679,937 S \* 4/2013 Chung ..... D7/334  
D681,389 S \* 5/2013 Goecke ..... D7/334  
D687,669 S \* 8/2013 Chung ..... D7/334  
D688,082 S \* 8/2013 Crick ..... D7/334  
D697,357 S \* 1/2014 Goecke ..... D7/334  
D712,191 S \* 9/2014 Chung ..... D7/334  
D717,097 S \* 11/2014 Lin ..... D7/334

(57) **CLAIM**  
The ornamental design for a barbecue grill, as shown and described.

**DESCRIPTION**

FIG. 1 is an upper perspective view of a barbecue grill showing my new design.  
FIG. 2 is a front elevation view thereof;  
FIG. 3 is rear elevation view thereof;  
FIG. 4 is a side elevation view thereof;  
FIG. 5 is an opposite side elevation view thereof;  
FIG. 6 is a top plan view thereof; and,  
FIG. 7 is a bottom plan view thereof.

**1 Claim, 7 Drawing Sheets**



(56)

**References Cited**

U.S. PATENT DOCUMENTS

2013/0112088 A1\* 5/2013 May ..... A47J 37/07  
99/421 H  
2014/0261378 A1\* 9/2014 Barreto ..... A47J 37/0713  
126/25 R  
2014/0318524 A1\* 10/2014 Measom ..... A47J 37/0704  
126/25 R  
2015/0004297 A1\* 1/2015 Pothetes ..... A47J 37/00  
426/523  
2016/0208837 A1\* 7/2016 Chang ..... F16B 5/02

\* cited by examiner

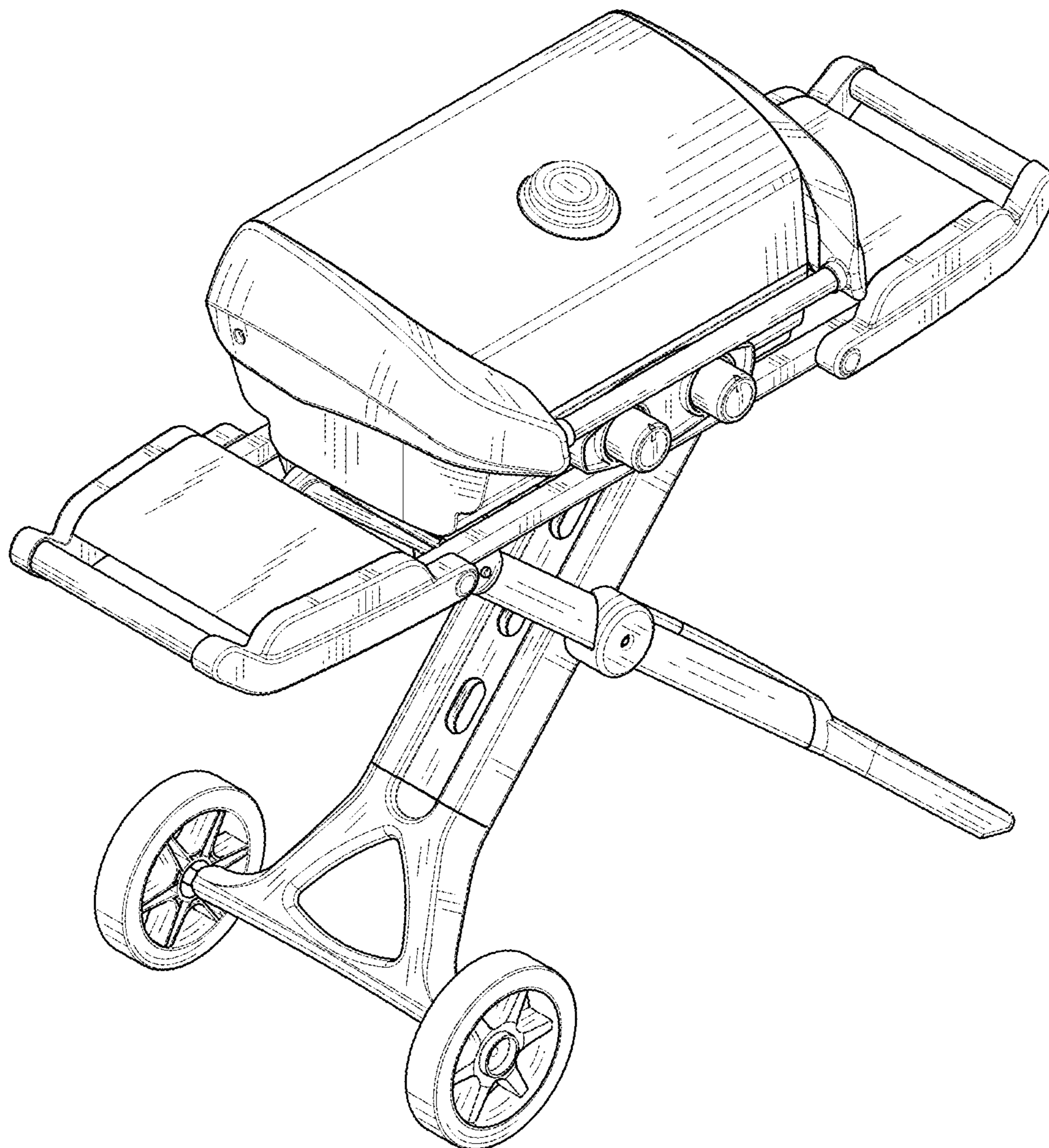


FIG. 1

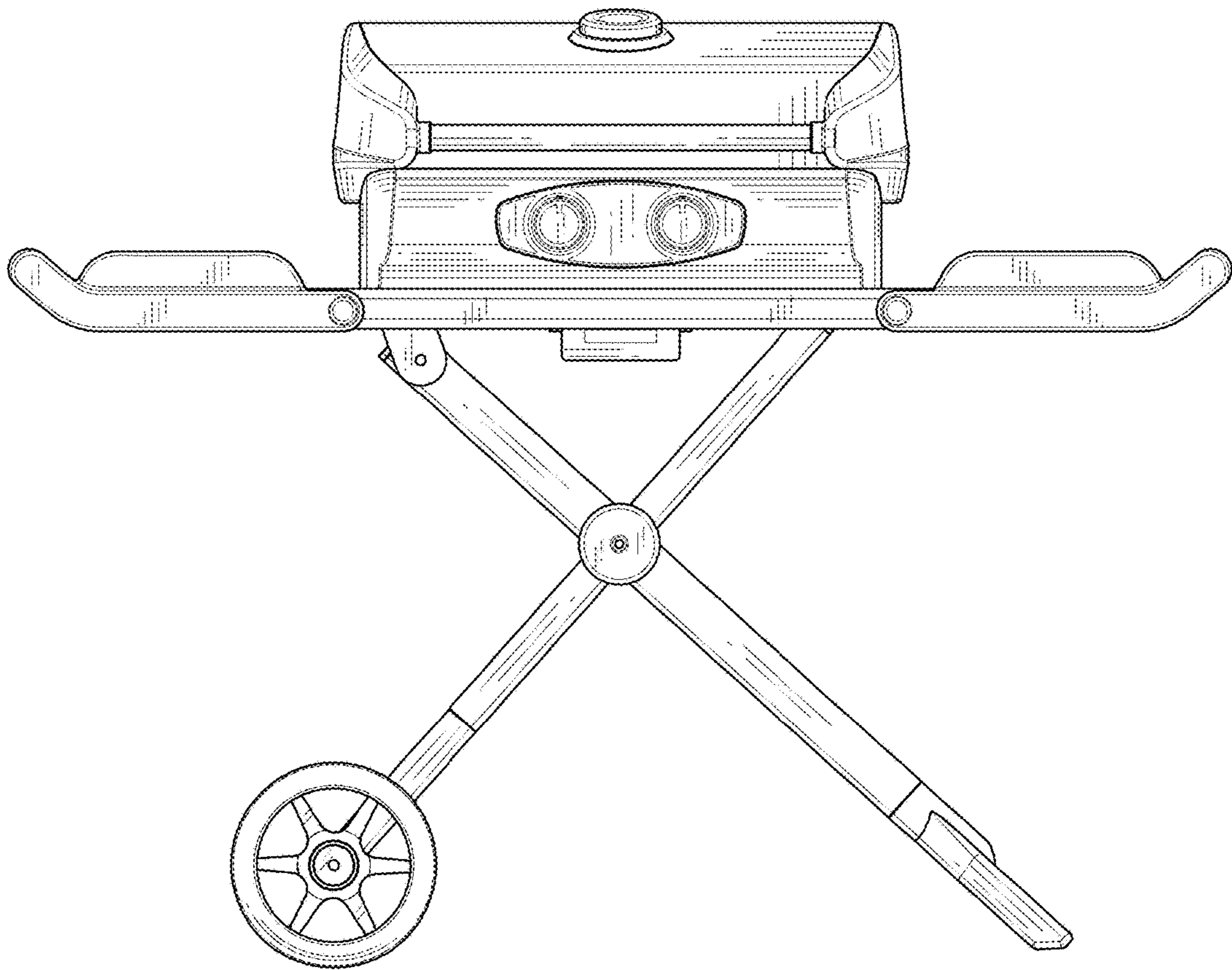


FIG. 2

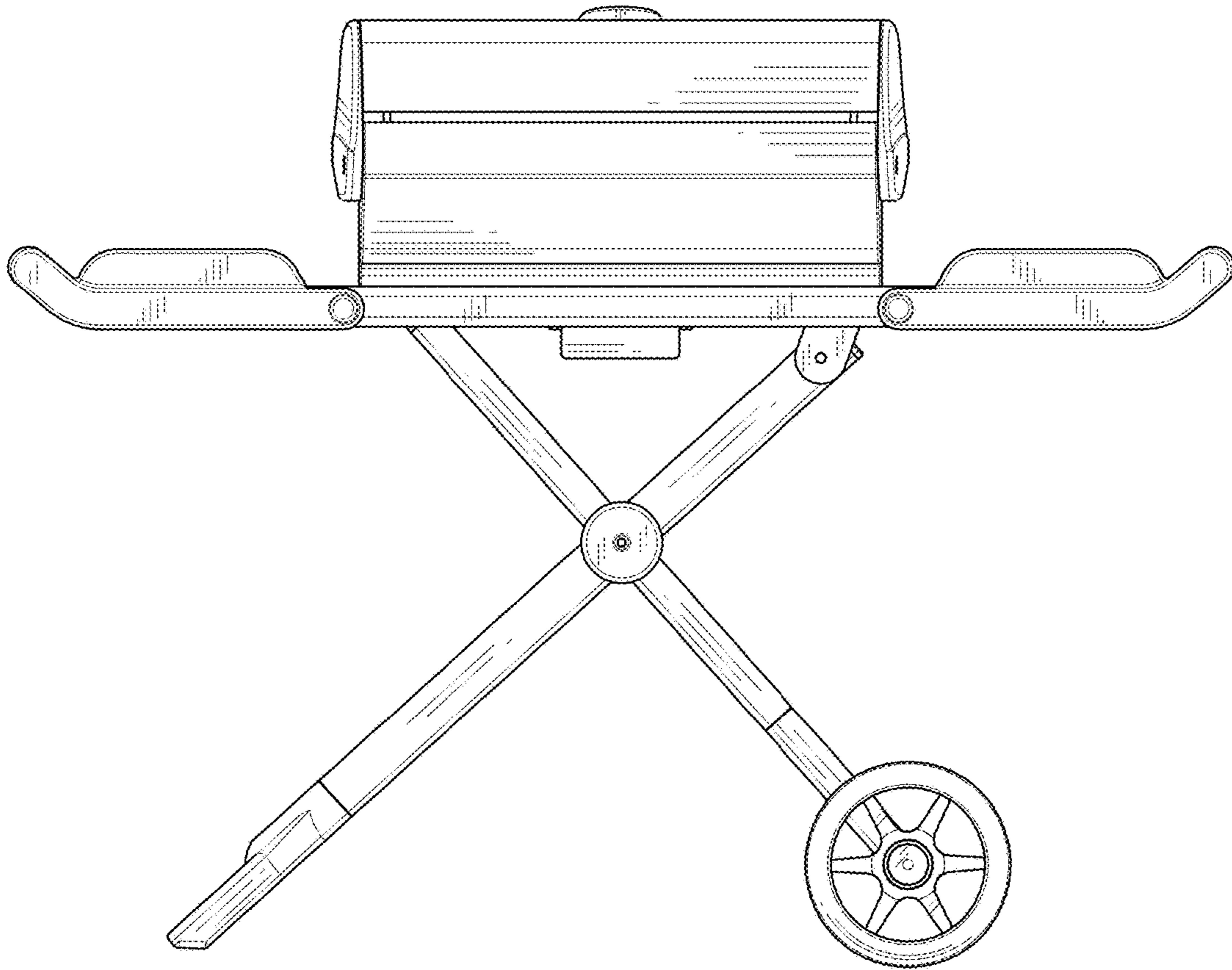


FIG. 3

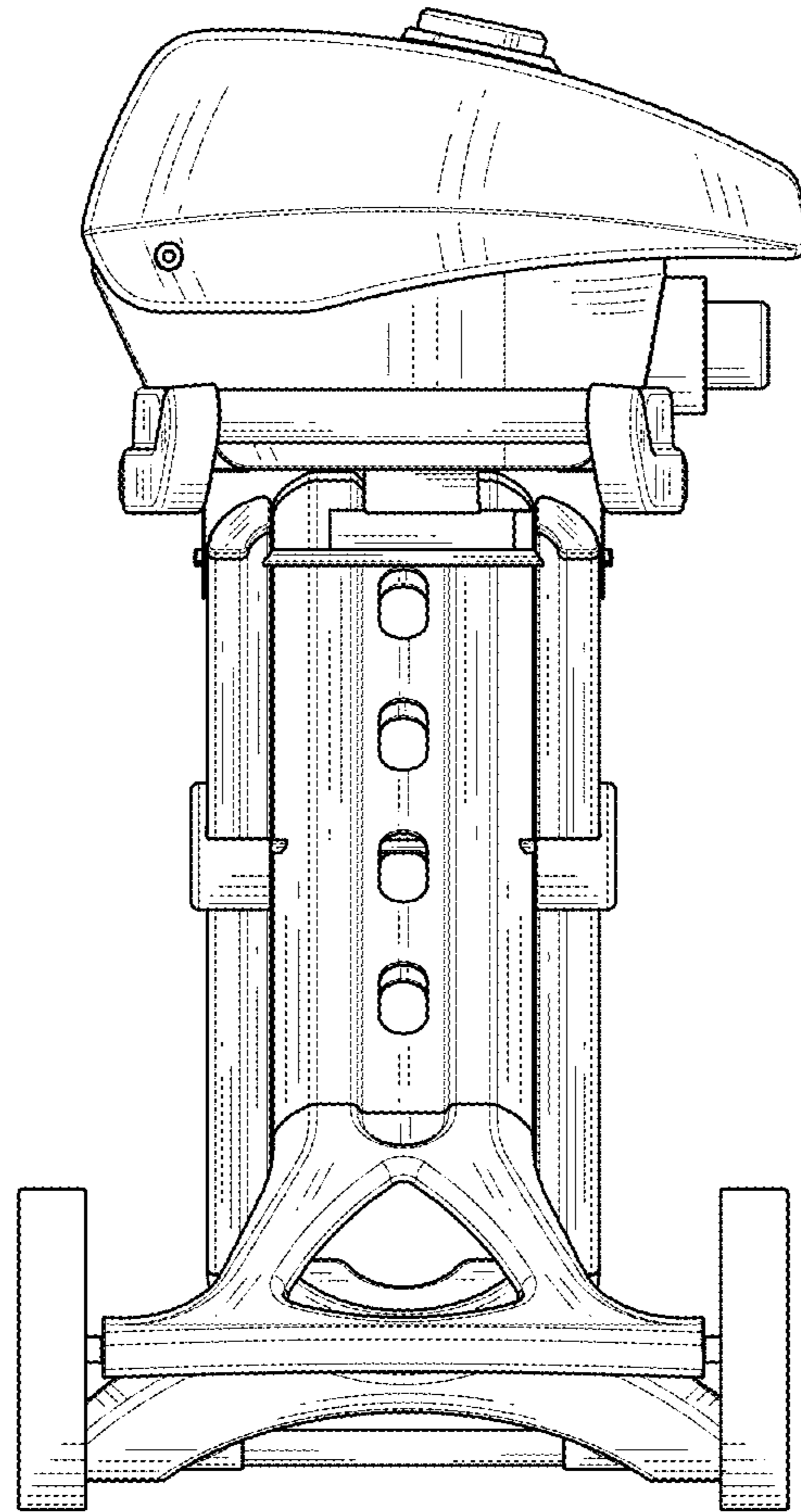


FIG. 4

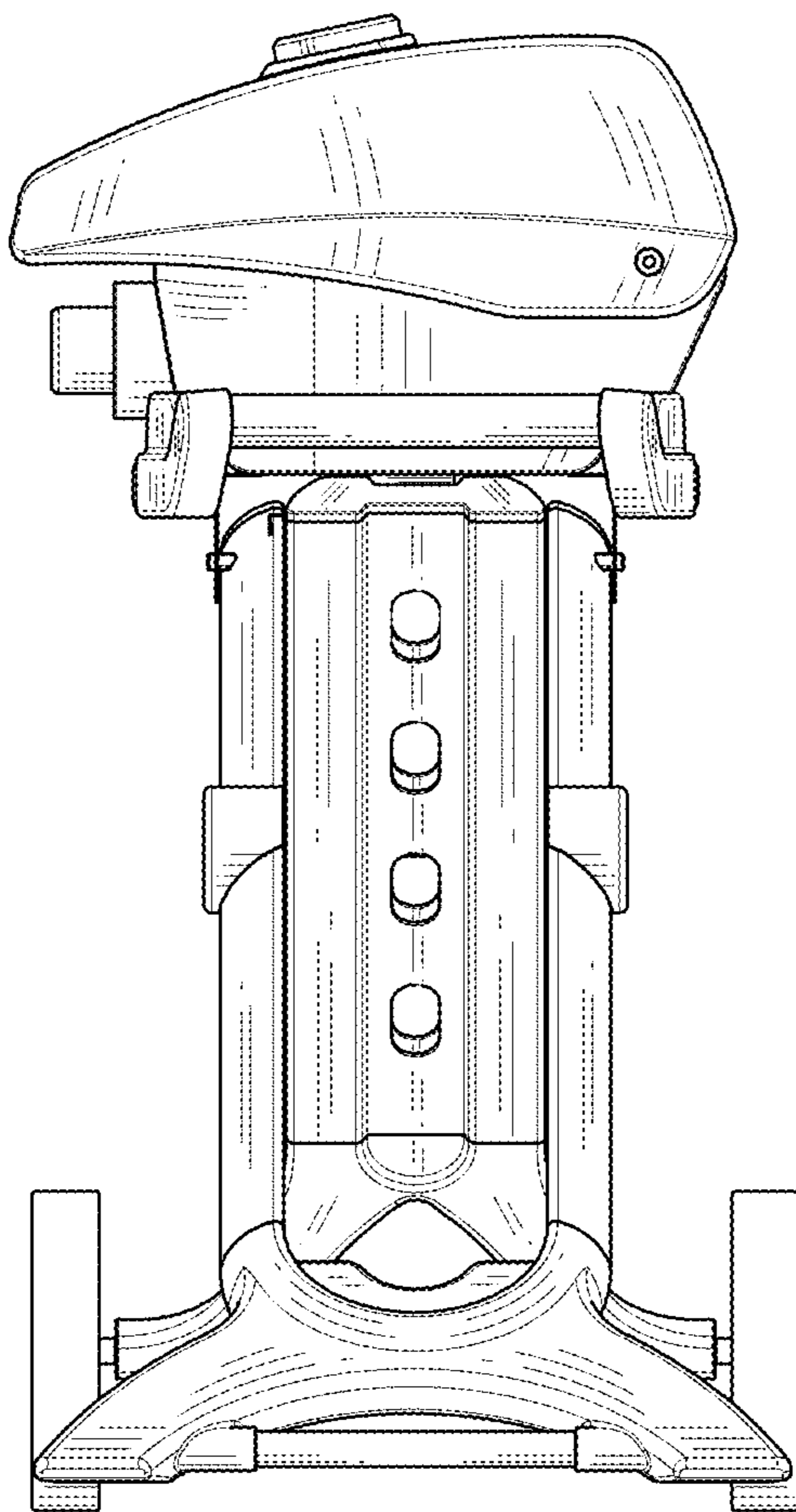


FIG. 5

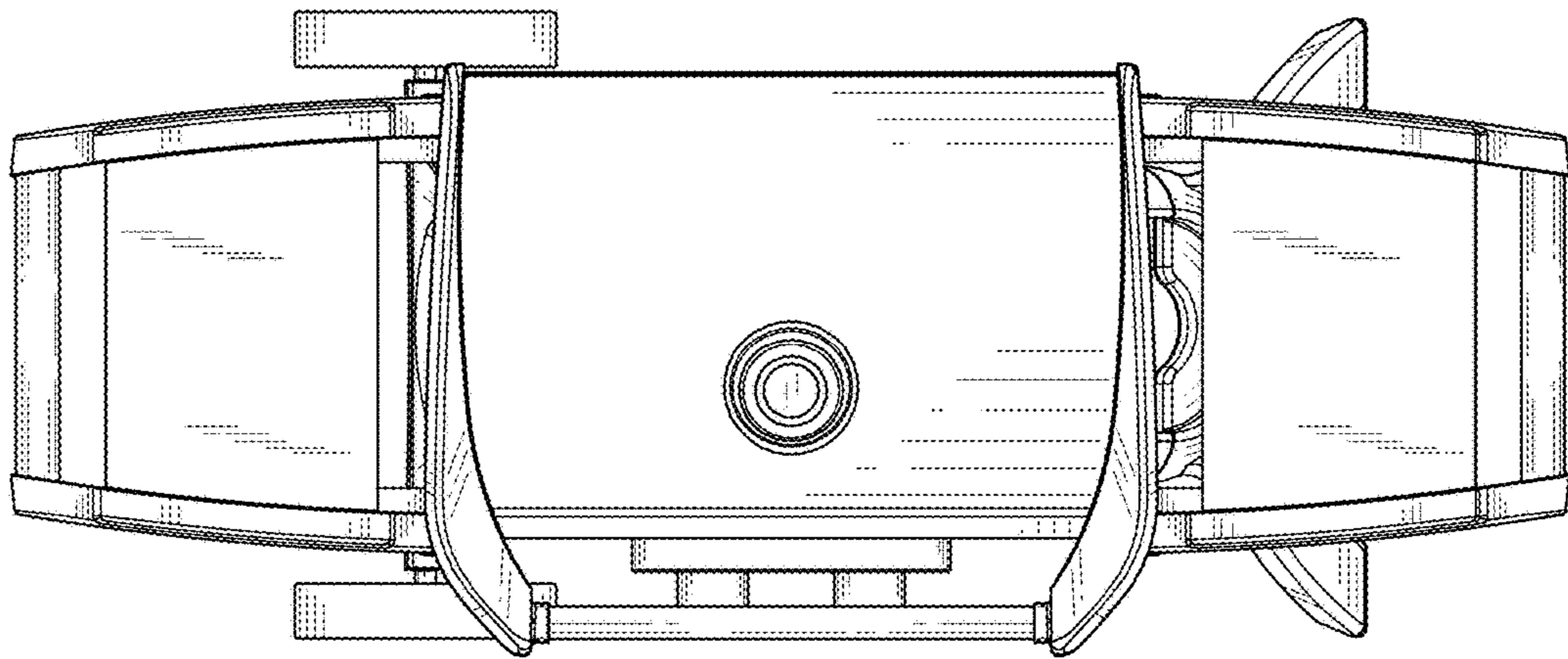


FIG. 6



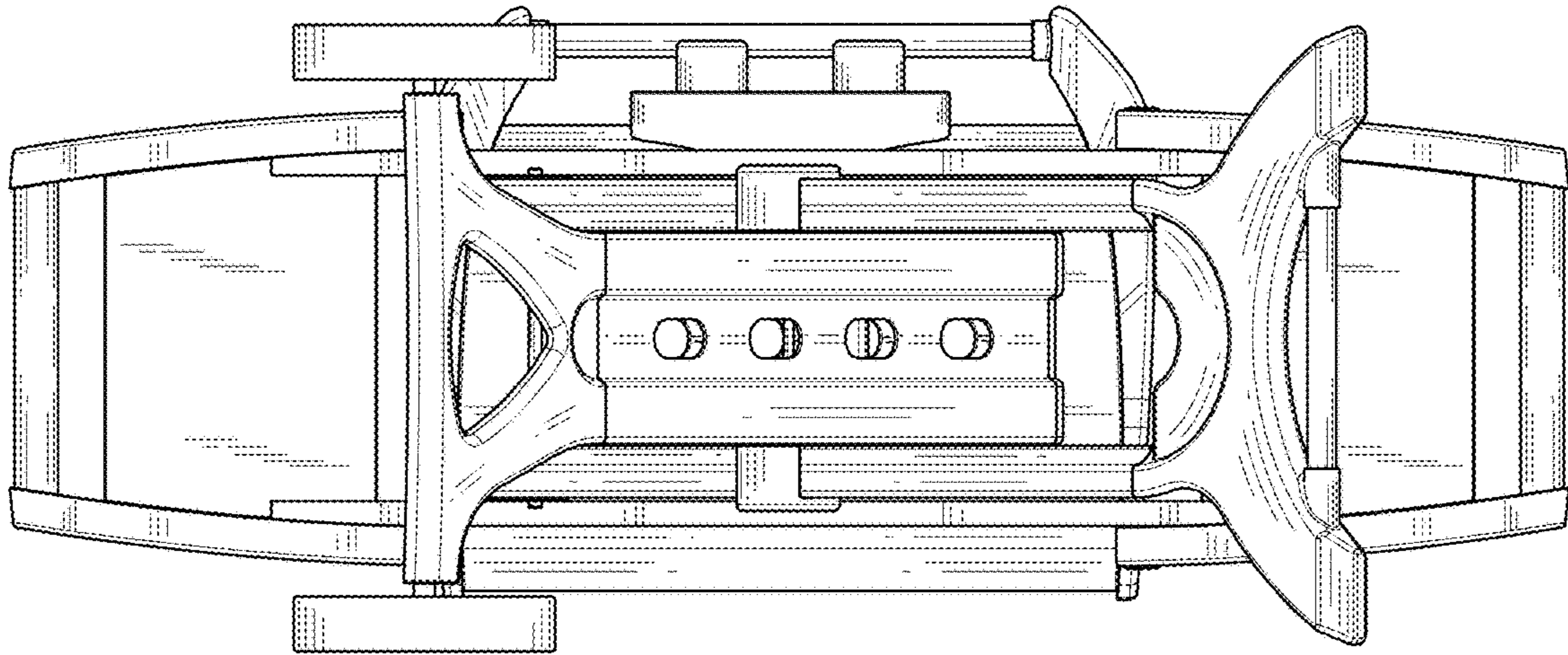


FIG. 7