



US00D786003S

(12) **United States Design Patent** (10) **Patent No.:** **US D786,003 S**
Bodum (45) **Date of Patent:** **** May 9, 2017**

(54) **COFFEE MAKER**
(71) Applicant: **PI-Design AG**, Triengen (CH)
(72) Inventor: **Jorgen Bodum**, Meggen (CH)
(73) Assignee: **PI-Design AG**, Triengen (CH)
(**) Term: **15 Years**
(21) Appl. No.: **29/539,231**
(22) Filed: **Sep. 11, 2015**
(30) **Foreign Application Priority Data**

3,739,932 A * 6/1973 Westover A47J 45/10
16/435
3,985,069 A * 10/1976 Cavalluzzi B65D 85/8043
426/77
D250,804 S * 1/1979 Nilsson D7/400
4,629,866 A * 12/1986 Proctor A47J 27/002
126/378.1
D302,093 S * 7/1989 Palsby D7/317
D452,408 S * 12/2001 Liu D7/316
D453,657 S * 2/2002 Eklin D7/315
D515,349 S * 2/2006 Gillisie D7/317
D536,205 S * 2/2007 Jensen D7/300
D560,091 S * 1/2008 Bodum D7/312
D567,005 S * 4/2008 Bodum D7/312
D567,009 S * 4/2008 Bodum D7/312
D568,086 S * 5/2008 Brown D7/317
D580,696 S * 11/2008 Bodum D7/316

(Continued)

Mar. 12, 2015 (WO) DM/085858

(51) **LOC (10) Cl.** **07-01**
(52) **U.S. Cl.**
USPC **D7/319**
(58) **Field of Classification Search**
USPC D7/316-322, 598, 600, 536, 507;
222/188, 465.1, 713; D23/209; 99/285,
99/304, 292
CPC A47J 41/0027; A47J 31/50; A47J 45/0077;
A47J 31/053; A47J 31/20; A47J 31/02;
A47J 45/10; A47J 31/14; A47J 411/02;
A47J 31/38; A47J 31/306; A47G 19/22;
A47G 19/12
See application file for complete search history.

OTHER PUBLICATIONS

Bodum, U.S. Appl. No. 29/544,673, filed Nov. 5, 2015, 9 pages.
Select portions of Bodum Collection Catalogue, Jan. 2015, 6 pages.

Primary Examiner — Marianne Pandozzi
(74) *Attorney, Agent, or Firm* — McDonnell Boehnen
Hulbert & Berghoff LLP

(57) **CLAIM**

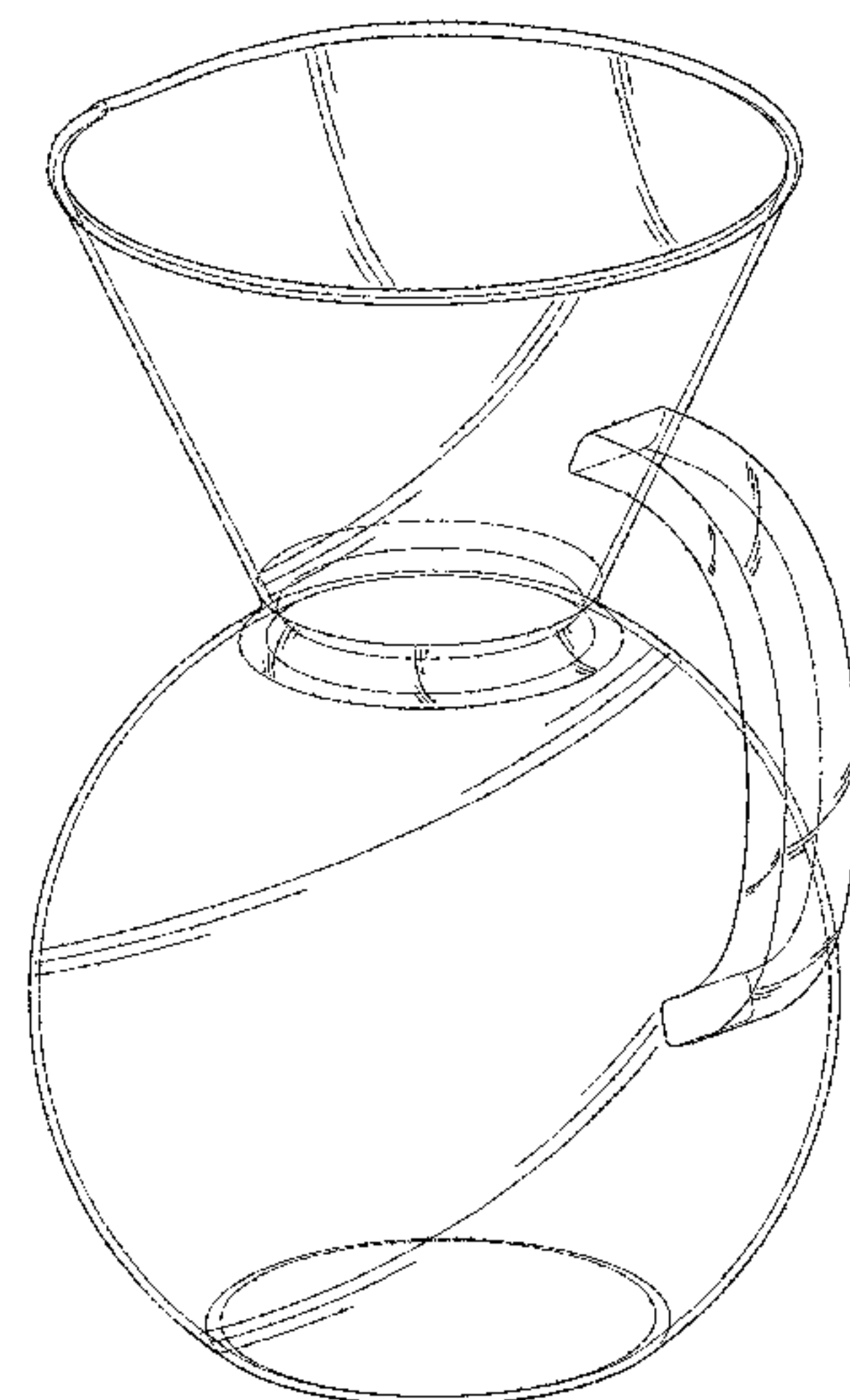
The ornamental design for a coffee maker, as shown and described.

DESCRIPTION

FIG. 1 is a perspective view of a coffee maker showing my new design;
FIG. 2 is a front view thereof;
FIG. 3 is a rear view thereof;
FIG. 4 is a left side view thereof;
FIG. 5 is a right side view thereof;
FIG. 6 is a top view thereof; and,
FIG. 7 is a bottom view thereof.

1 Claim, 7 Drawing Sheets

(56) **References Cited**
U.S. PATENT DOCUMENTS
2,411,340 A * 11/1946 Schlumbohm A47G 19/12
222/465.1
2,705,086 A * 3/1955 Schlumbohm A47J 45/10
215/396
D205,236 S * 7/1966 Fitzwilliam 141/331
3,334,574 A * 8/1967 Douglas A47J 31/02
210/455
D224,034 S * 6/1972 Douglas D7/318



(56)

References Cited

U.S. PATENT DOCUMENTS

| | | | |
|--------------|---------|--------------|---------|
| D598,234 S * | 8/2009 | Bodum | D7/317 |
| D611,754 S * | 3/2010 | Bodum | D7/310 |
| D655,563 S * | 3/2012 | Kern | D7/317 |
| D661,939 S * | 6/2012 | Kern | D7/316 |
| D742,160 S * | 11/2015 | Bodum | D7/316 |
| D745,739 S * | 12/2015 | Abadi | D27/162 |
| D746,092 S * | 12/2015 | Melzer | D7/325 |
| D752,376 S * | 3/2016 | Melzer | D7/317 |

* cited by examiner

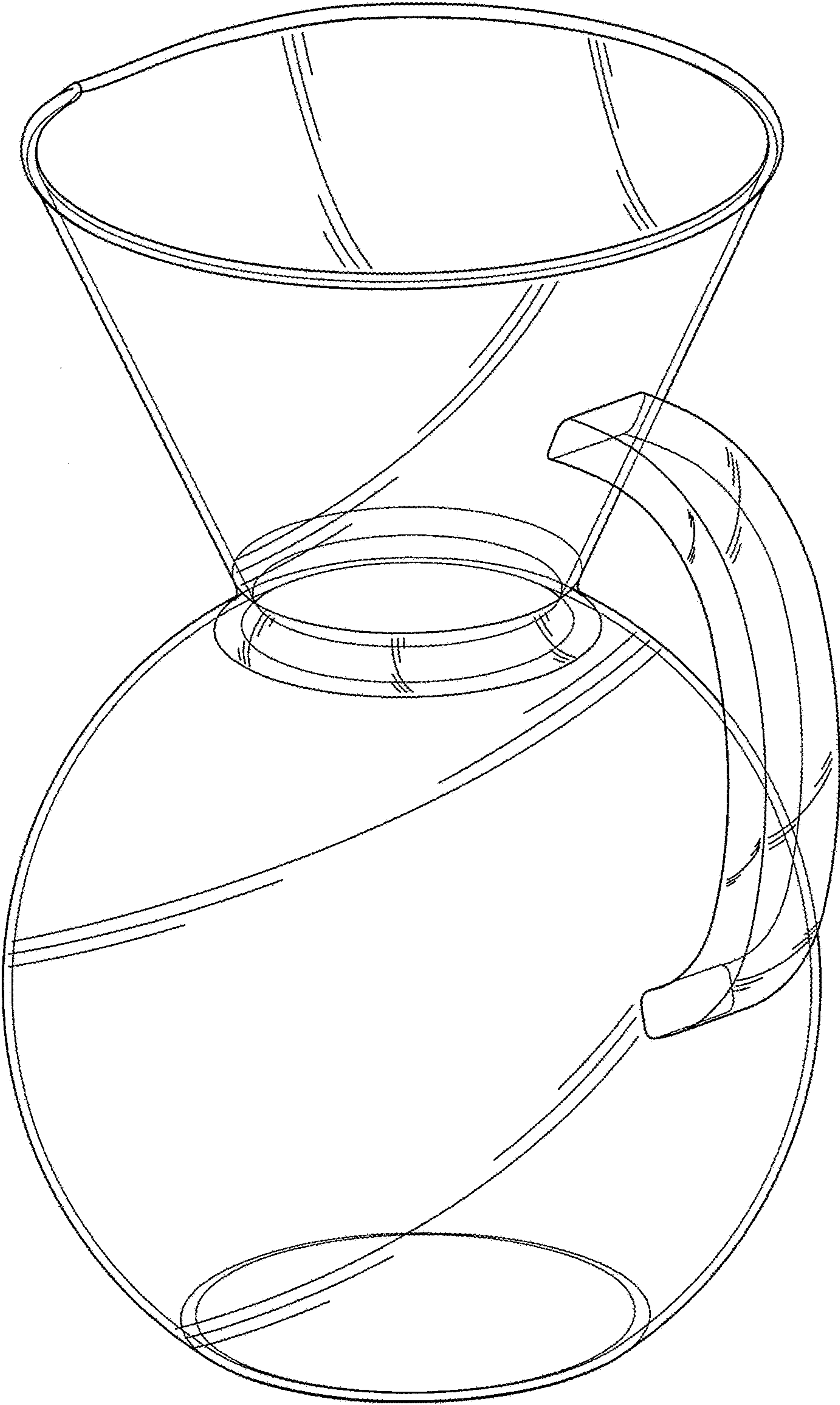


FIG. 1

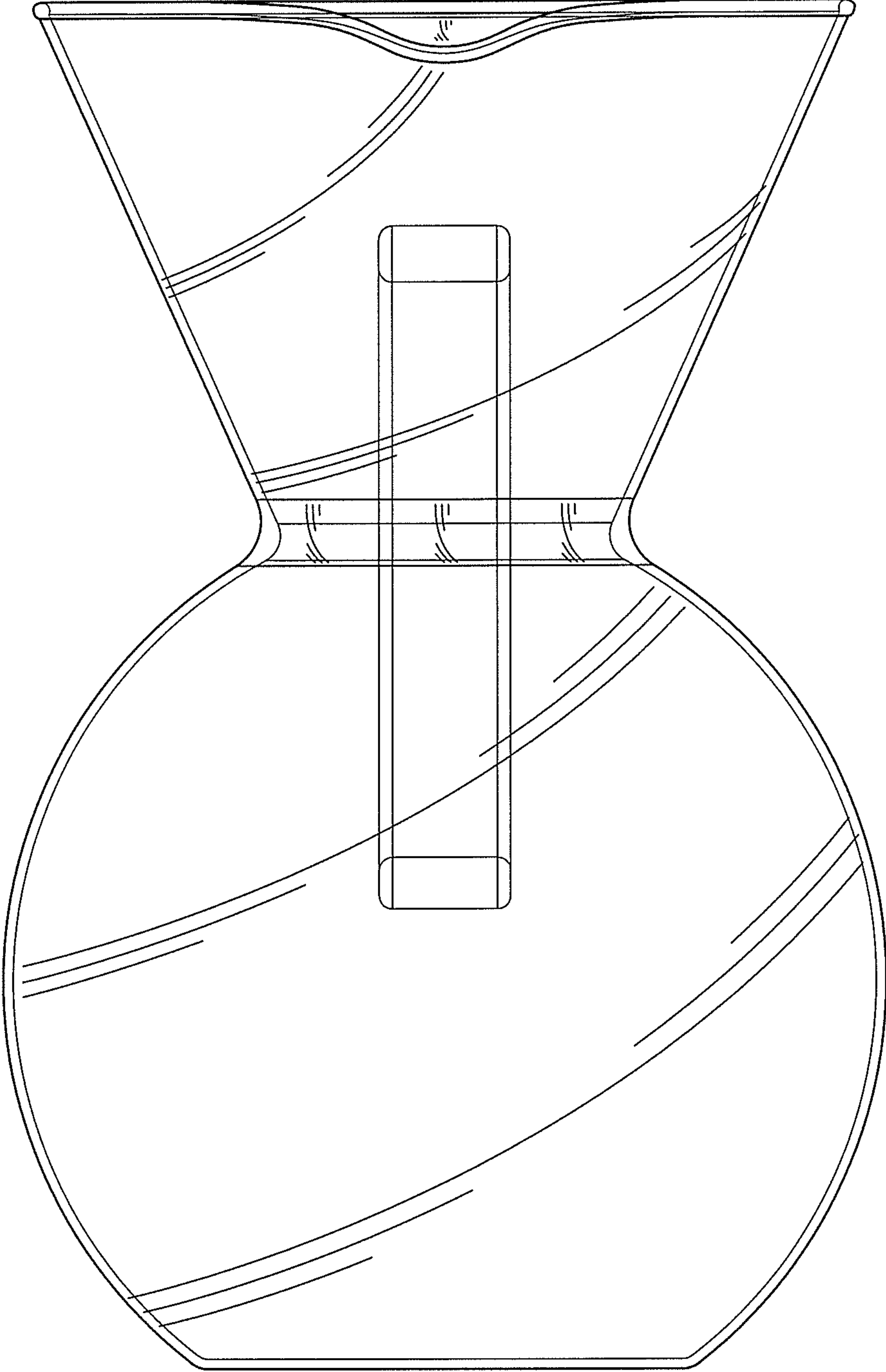


FIG. 2

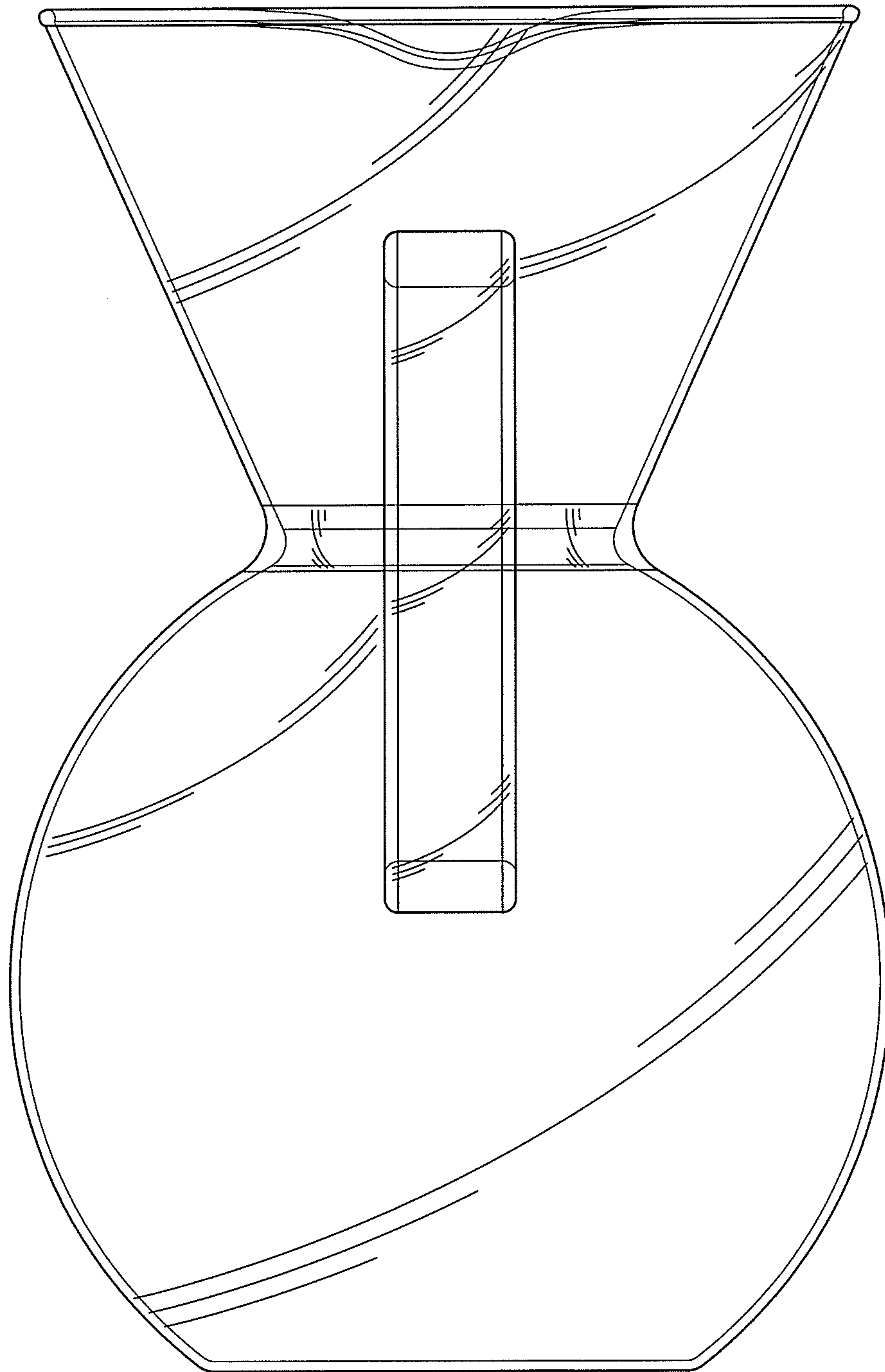


FIG. 3

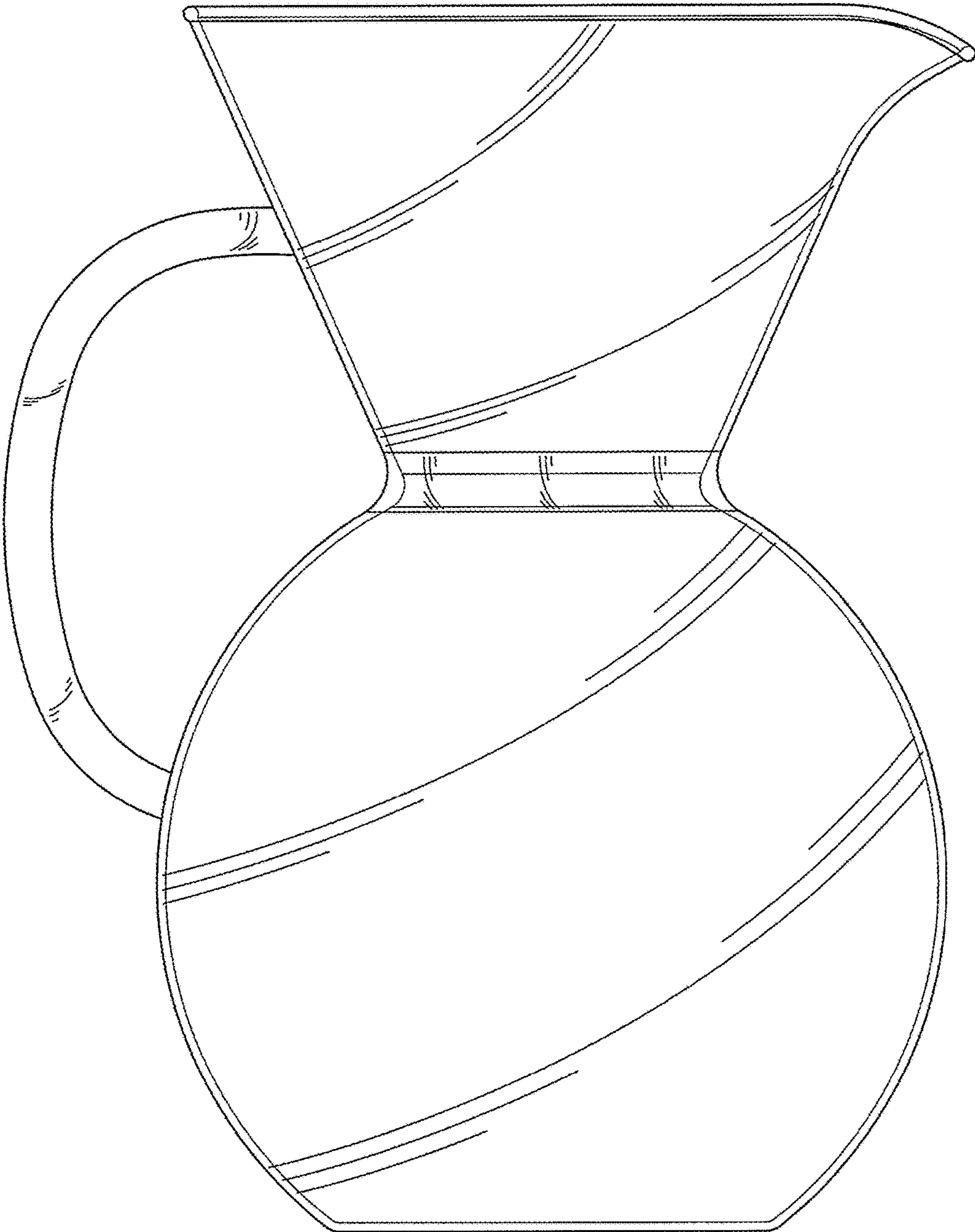


FIG. 4

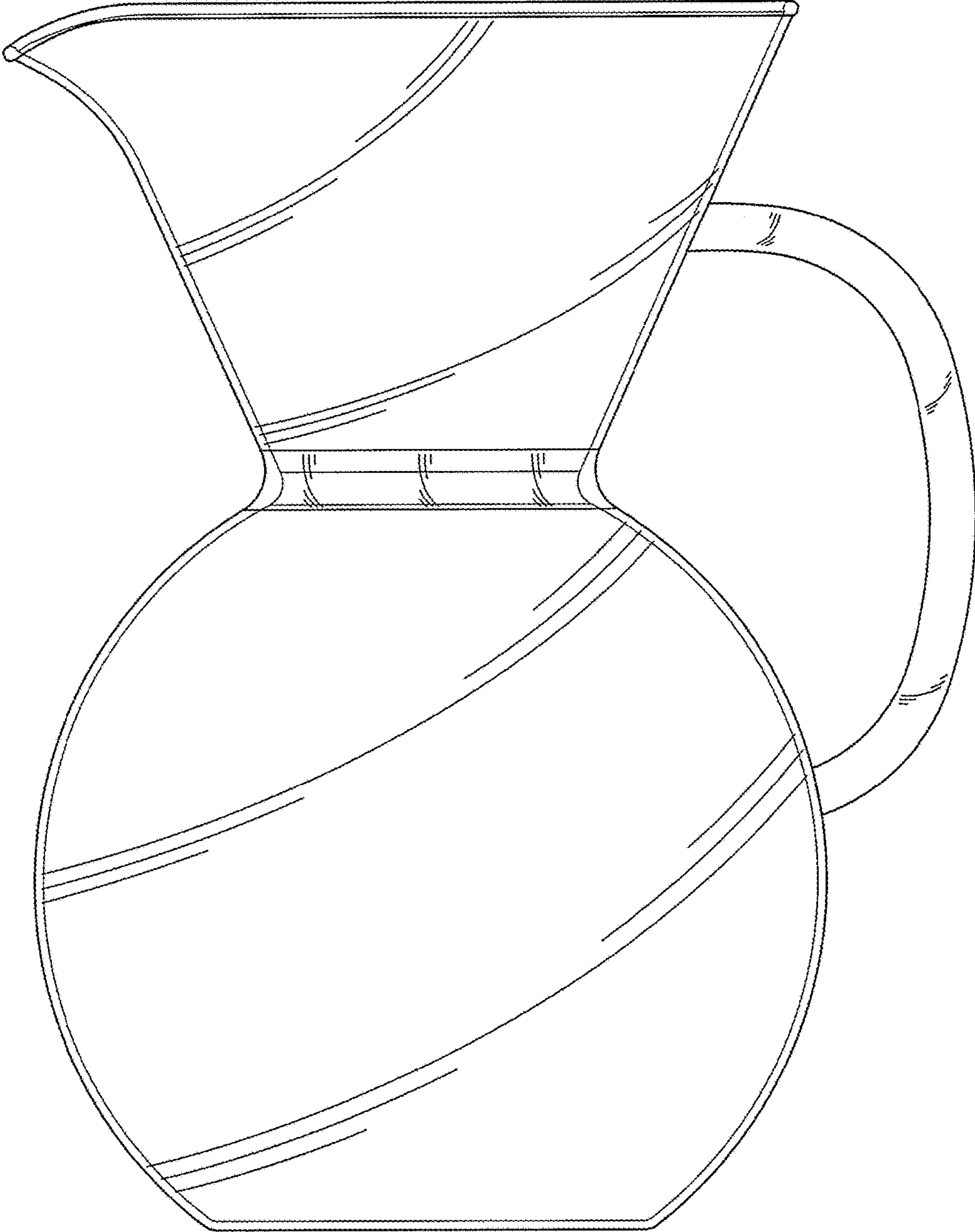


FIG. 5

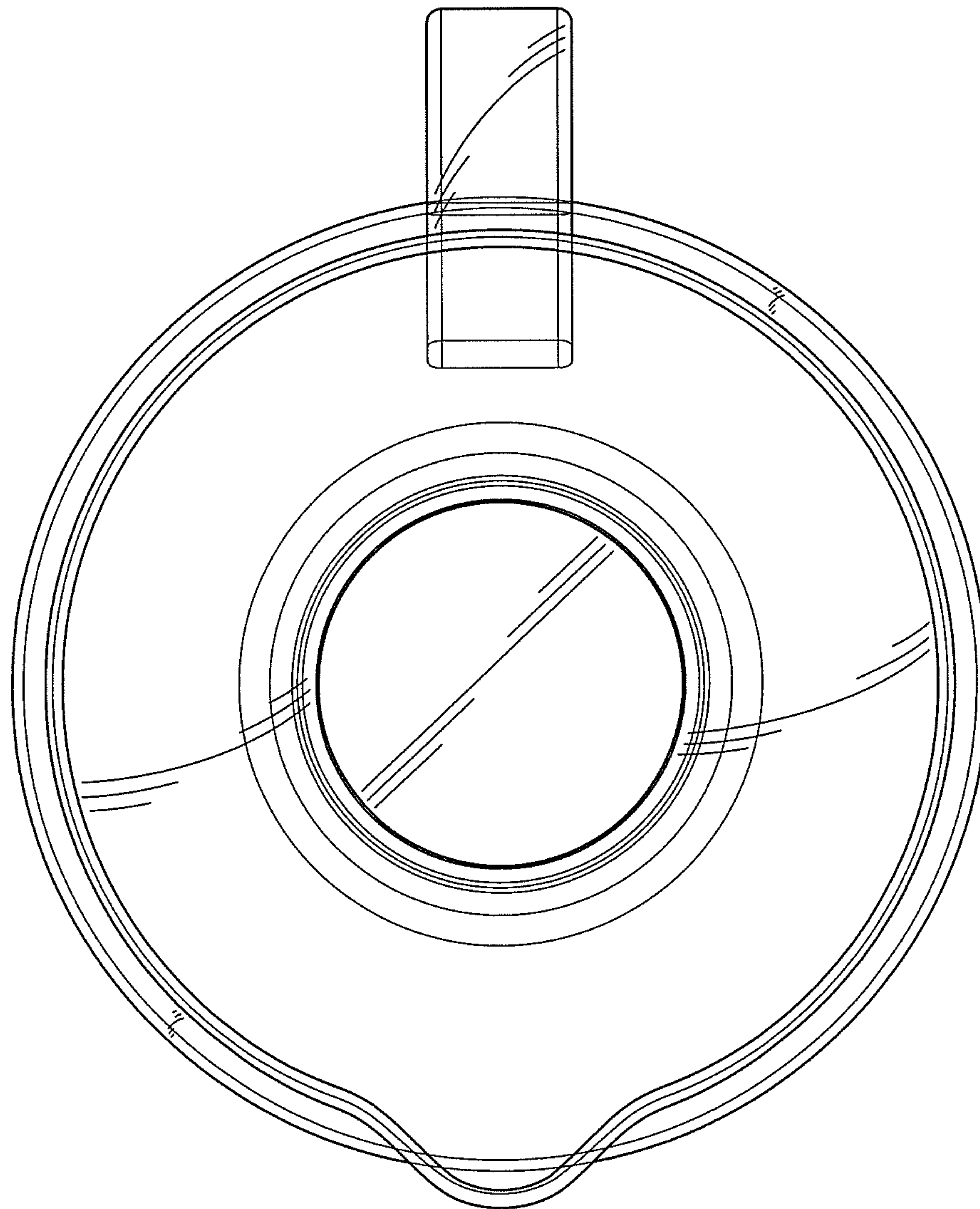


FIG. 6

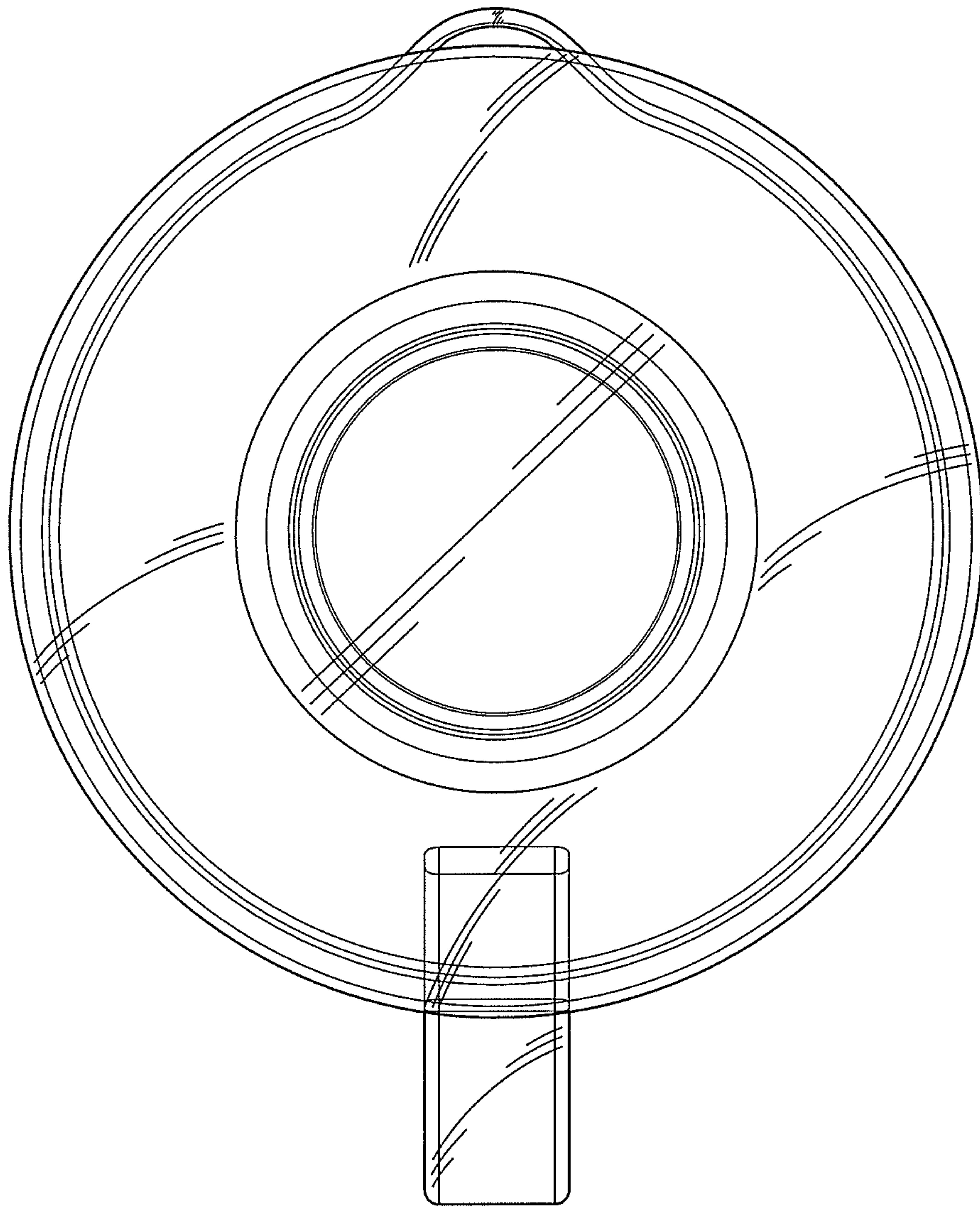


FIG. 7