



US00D786002S

(12) **United States Design Patent** (10) **Patent No.:** **US D786,002 S**
Archer (45) **Date of Patent:** **** May 9, 2017**

(54) **WATER DISPENSER**
(71) Applicant: **Virgil L. Archer**, Englewood, CO (US)
(72) Inventor: **Virgil L. Archer**, Englewood, CO (US)
(**) Term: **15 Years**
(21) Appl. No.: **29/536,985**
(22) Filed: **Aug. 21, 2015**
(51) **LOC (10) Cl.** **07-01**
(52) **U.S. Cl.**
USPC **D7/306; D7/313; D7/397**
(58) **Field of Classification Search**
USPC D7/305-311, 313, 397, 399; D15/82;
222/129.1, 146.6, 153.03; 99/295;
D30/121, 132; D9/531
CPC A47J 31/44; A47J 31/4403; A47J 31/46;
B67D 1/36; B67D 2210/0065; B67D
1/0864; B67D 3/0009; B67D 3/0029
See application file for complete search history.

D400,390 S * 11/1998 Gebhard D7/306
6,003,318 A * 12/1999 Busick B67D 1/0869
62/3.64
D429,943 S * 8/2000 Yu D7/306
D440,458 S * 4/2001 Ohu D7/300
6,511,027 B1 * 1/2003 Yu B67D 3/0029
211/74
D474,365 S * 5/2003 Valentino D7/300
6,736,298 B2 * 5/2004 Busick B01D 35/143
222/146.1
6,776,378 B1 * 8/2004 Yu A47B 73/00
211/74
7,596,306 B2 * 9/2009 Greenway B67D 3/0029
222/146.2
D615,812 S * 5/2010 Macler D7/306
D685,599 S * 7/2013 Miller D7/306
D703,990 S * 5/2014 Henderson D7/306

* cited by examiner

Primary Examiner — Marianne Pandozzi
(74) *Attorney, Agent, or Firm* — Edwin H. Crabtree;
Ramon L. Pizarro

(57) **CLAIM**

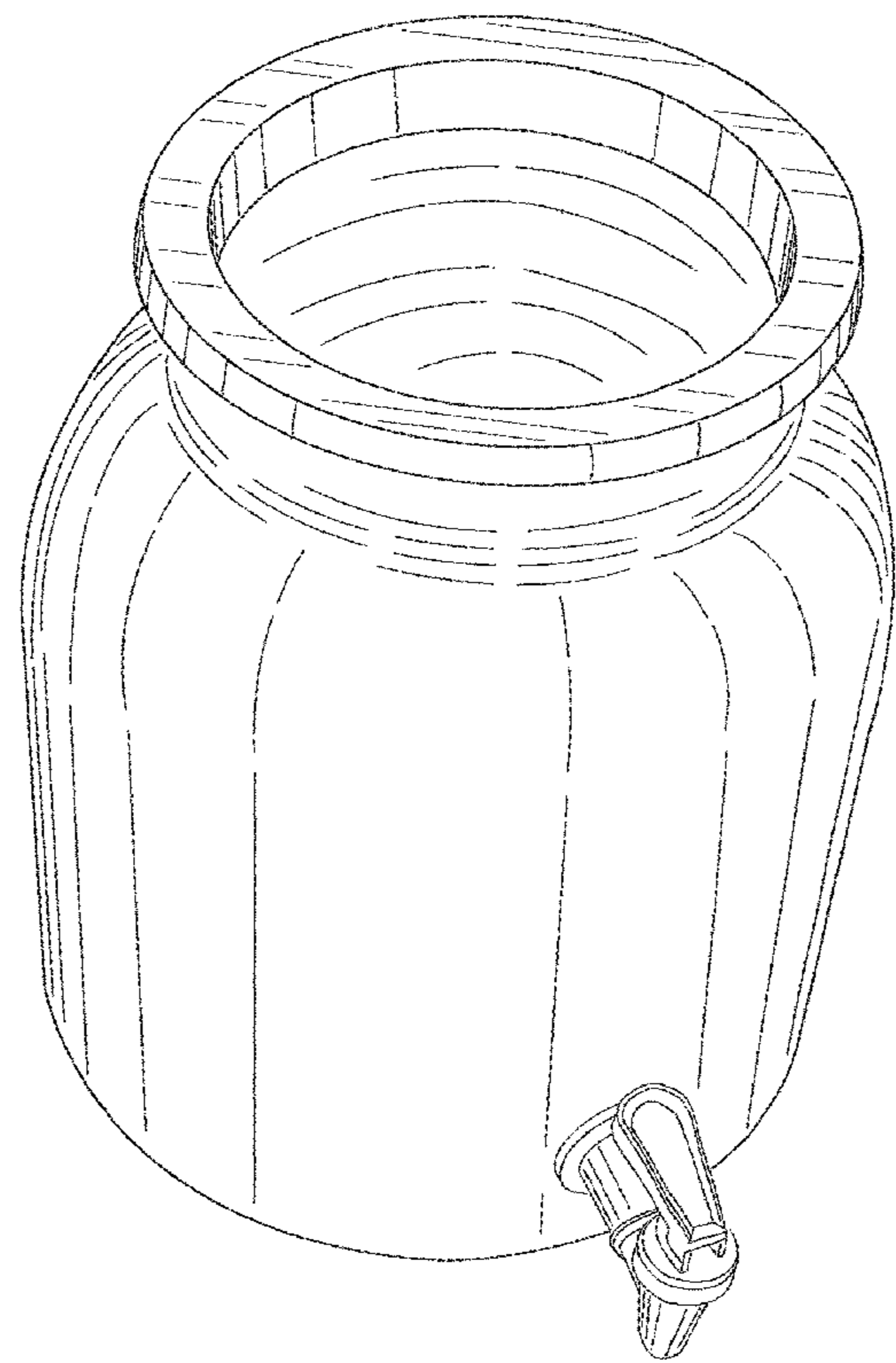
The ornamental design for a water dispenser, as shown and described.

DESCRIPTION

FIG. 1 is a top perspective view of a water dispenser showing my new design; and, FIG. 2 is a bottom perspective view thereof.

1 Claim, 2 Drawing Sheets

(56) **References Cited**
U.S. PATENT DOCUMENTS
D89,601 S * 4/1933 Byfield D7/308
4,181,243 A * 1/1980 Frahm B67D 3/00
137/550
D309,231 S * 7/1990 Larson D7/312
D360,100 S * 7/1995 Van Den Berghe D7/306
D397,050 S * 8/1998 Mohammadian D10/78



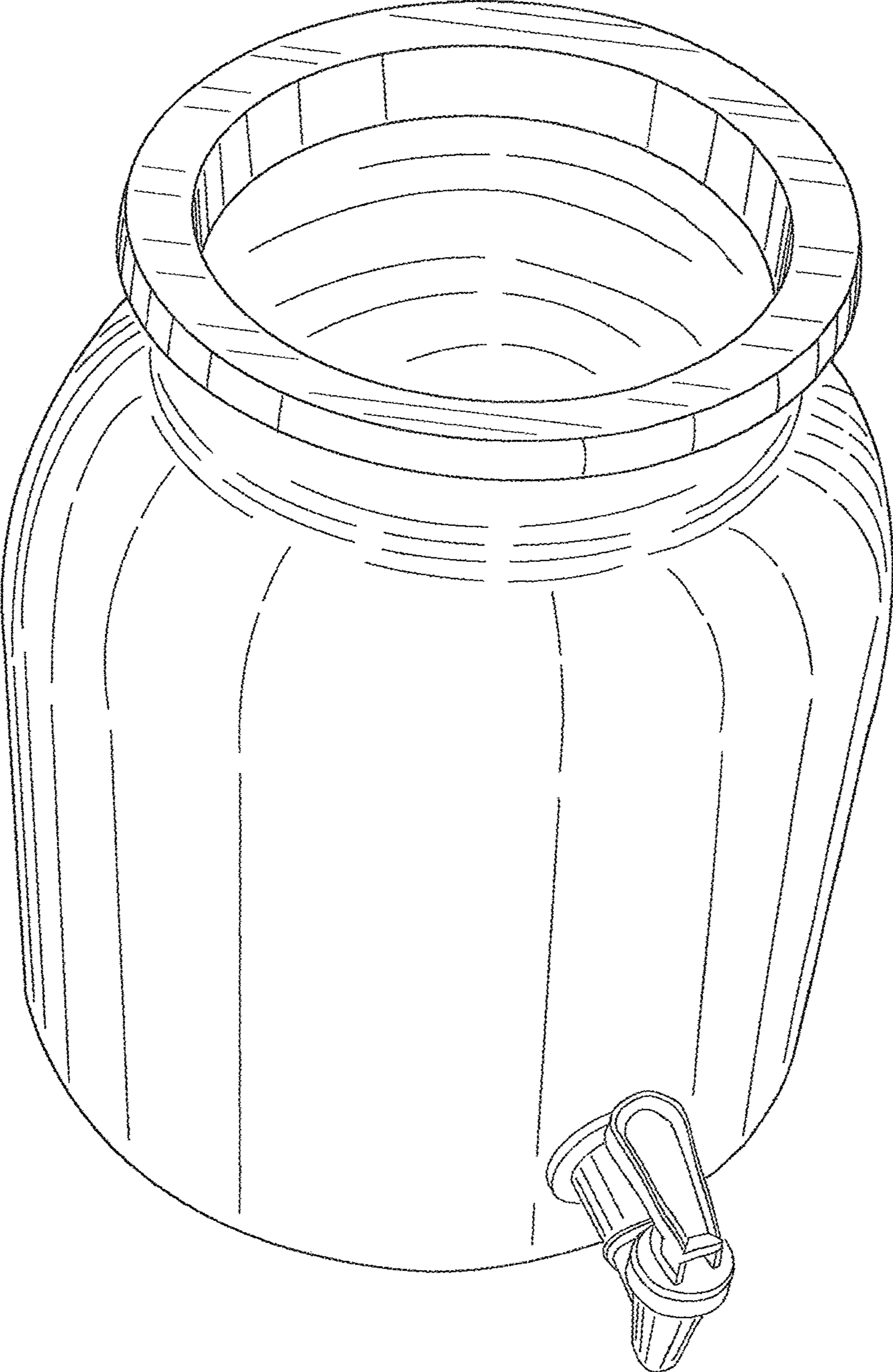


FIG. 1

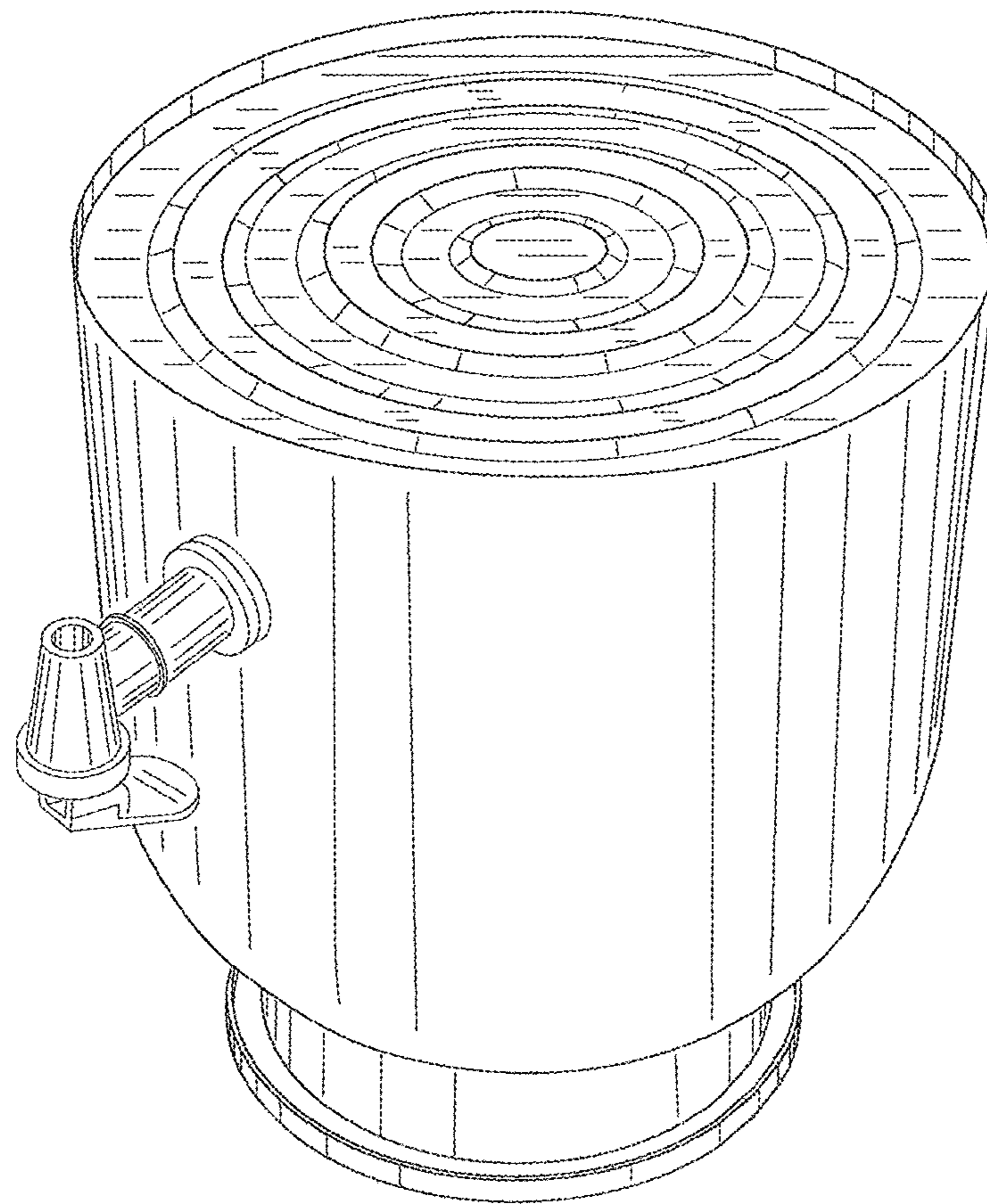


FIG. 2