



US00D786001S

(12) **United States Design Patent** (10) **Patent No.:** **US D786,001 S**
Cassidy (45) **Date of Patent:** **** May 9, 2017**

- (54) **HAMMOCK**
- (71) Applicant: **VIVERE LTD.**, Guelph (CA)
- (72) Inventor: **Richard Cassidy**, Billinudgel (AU)
- (73) Assignee: **VIVERE LTD.**, Guelph (CA)
- (**) Term: **15 Years**
- (21) Appl. No.: **29/550,229**
- (22) Filed: **Dec. 31, 2015**
- (30) **Foreign Application Priority Data**

D597,828 S * 8/2009 Tanaka D8/354
 D772,052 S * 11/2016 Mutamba D8/402
 2012/0074270 A1* 3/2012 Pays G10G 5/00
 248/121

OTHER PUBLICATIONS

Vivere Hammock Stand, Hamikk.com, site visited Mar. 14, 2017, available from internet <URL: <https://www.hamikk.com/collections/hammocks/products/doublecottonhammockwithsolidpinearcstand8ft>>.*
 Walmart Steel Hammock Stand, Internet Archive dated Oct. 11, 2014, site visited Mar. 14, 2017, available from internet <URL: <http://web.archive.org/web/20141011020536/http://www.walmart.com/ip/DoubleHammockWithSpaceSavingSteelStandIncludesPortableCarryingCase/38103179>>.*

- Jul. 1, 2015 (AU) 201513308
- (51) **LOC (10) Cl.** **06-06**
- (52) **U.S. Cl.**
USPC **D6/718.11**; D8/373
- (58) **Field of Classification Search**
USPC D6/387, 718.1, 718.11, 718.12, 344, 347,
D6/702; D8/354, 373; D17/99
CPC A45F 3/22; A45F 3/24
See application file for complete search history.

* cited by examiner

Primary Examiner — Cathron Brooks
 (74) *Attorney, Agent, or Firm* — Hodgson Russ LLP

(57) **CLAIM**

The ornamental design for a hammock, as shown and described.

DESCRIPTION

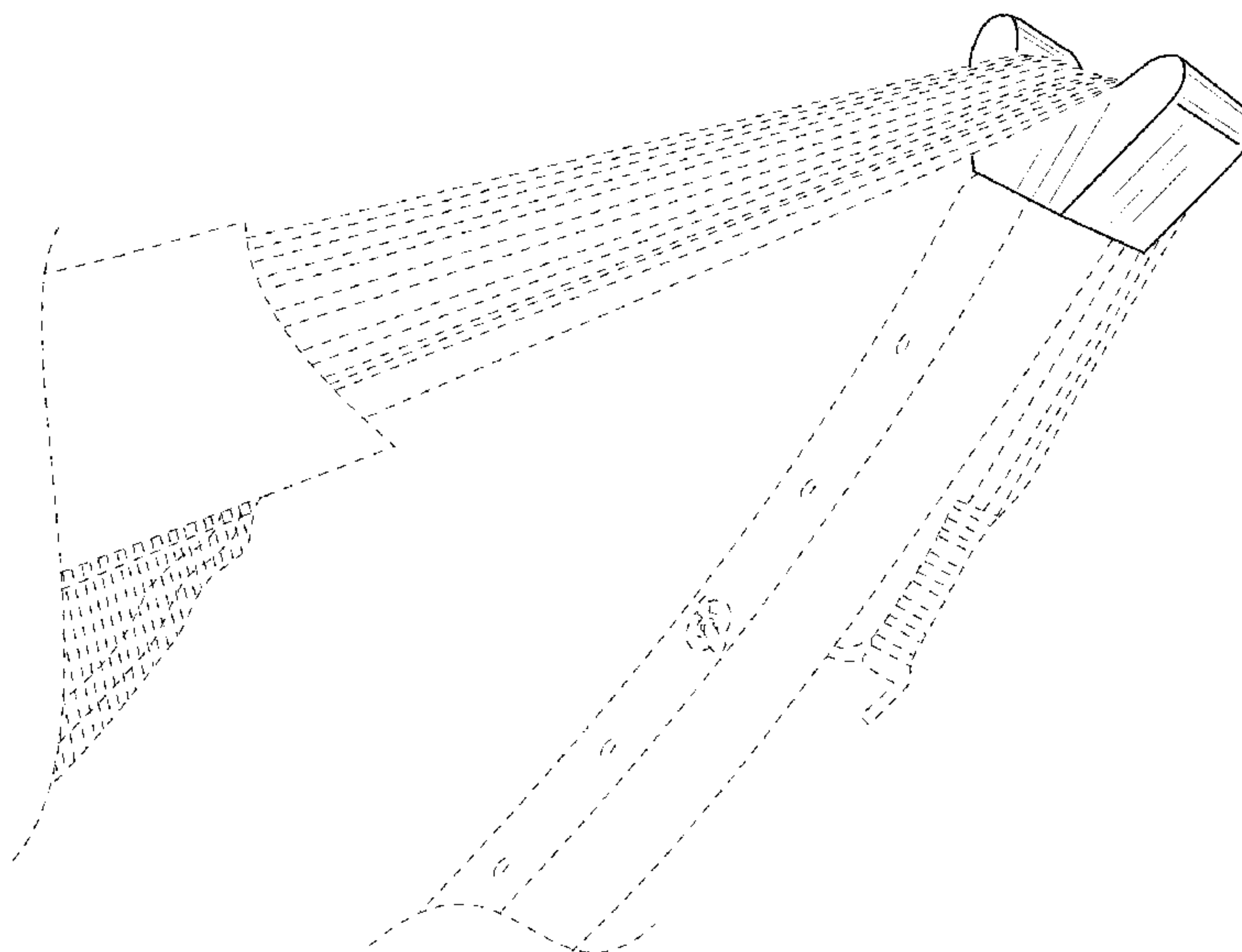
FIG. 1 is a perspective view of a hammock showing my new design;
 FIG. 2 is a front view thereof;
 FIG. 3 is a rear view thereof;
 FIG. 4 is a left side view thereof;
 FIG. 5 is a right side view thereof;
 FIG. 6 is a top view thereof;
 FIG. 7 is a bottom view thereof; and,
 FIG. 8 is a detail view thereof.
 The broken lines shown in the drawings illustrate portions of the hammock, and form no part of the claimed design.

1 Claim, 7 Drawing Sheets

(56) **References Cited**

U.S. PATENT DOCUMENTS

- 786,831 A * 4/1905 McMahon E05C 17/54
292/343
- D217,225 S * 4/1970 Fitzsimmons D8/373
- D242,966 S * 1/1977 MacMillan D2/642
- 5,331,725 A * 7/1994 Chou E04H 17/18
24/339
- D367,219 S * 2/1996 Von Gunten D8/354
- D379,298 S * 5/1997 Bowen D25/121
- D389,050 S * 1/1998 Li D8/395
- D407,240 S * 3/1999 Payne D17/99



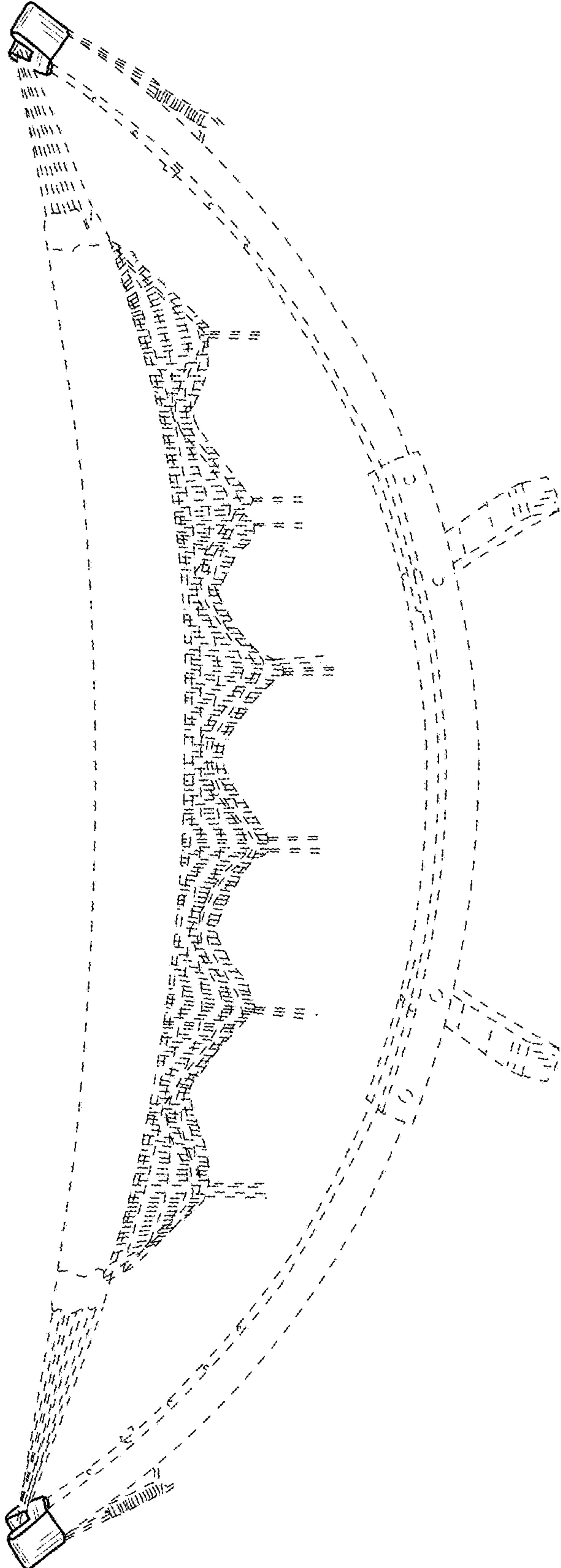


FIG. 1

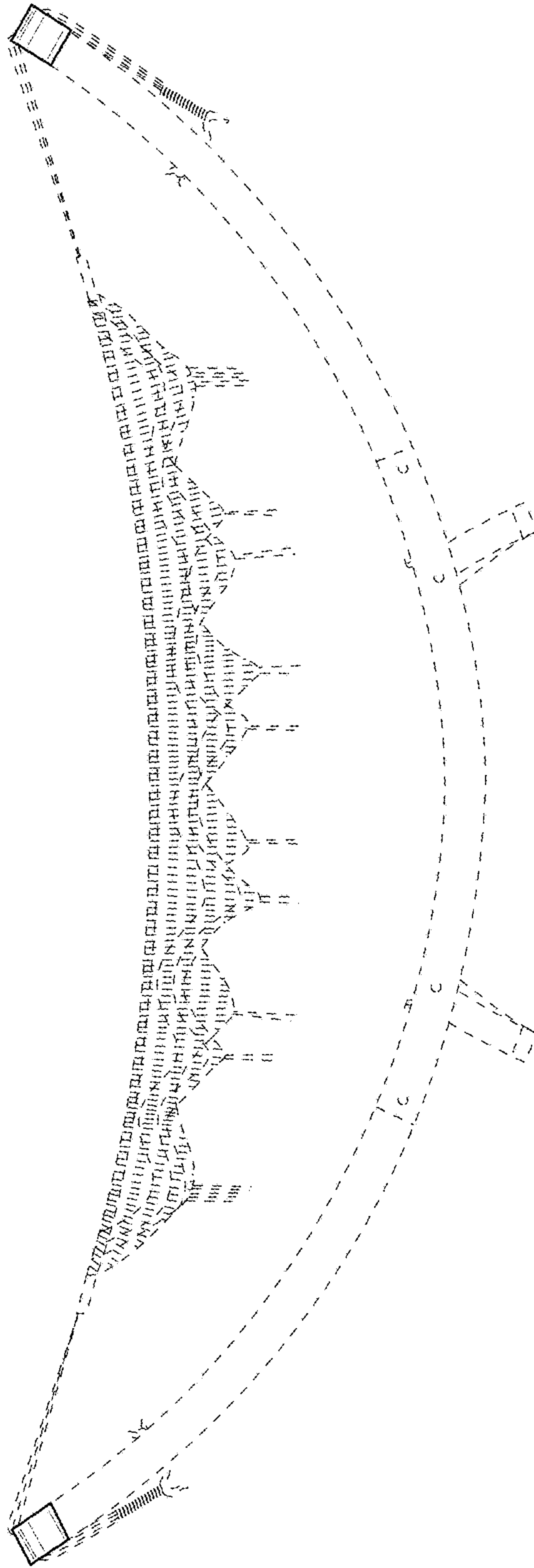


FIG. 2

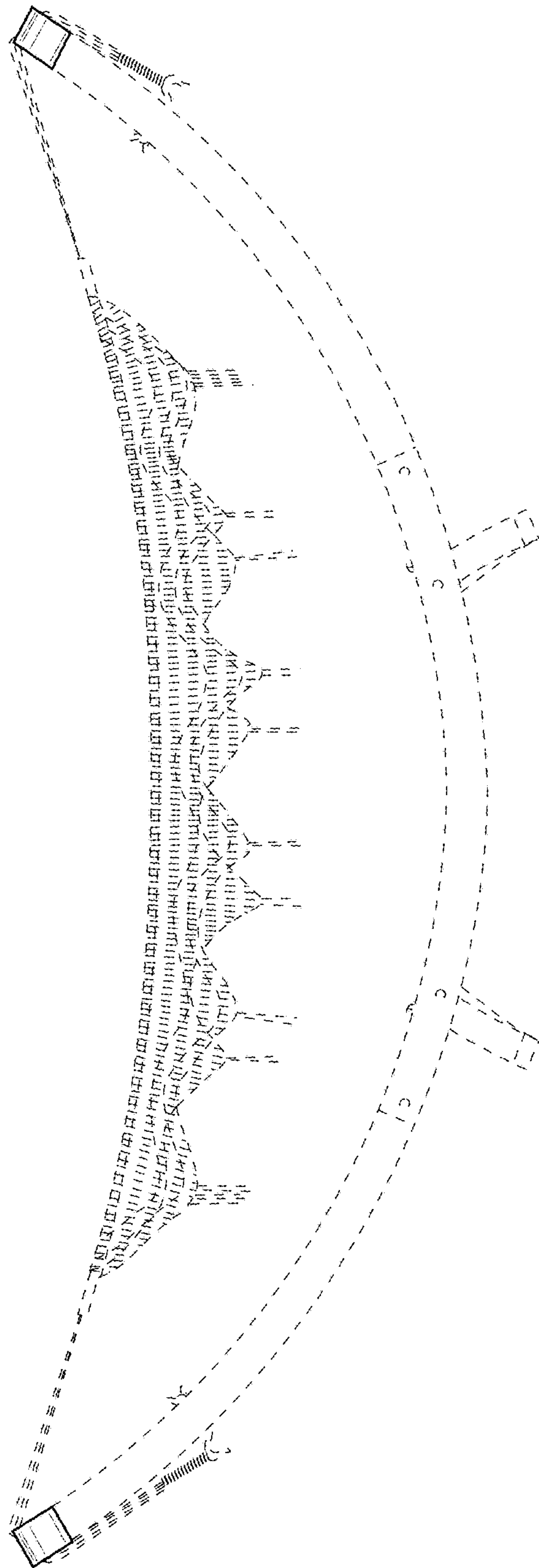


FIG. 3

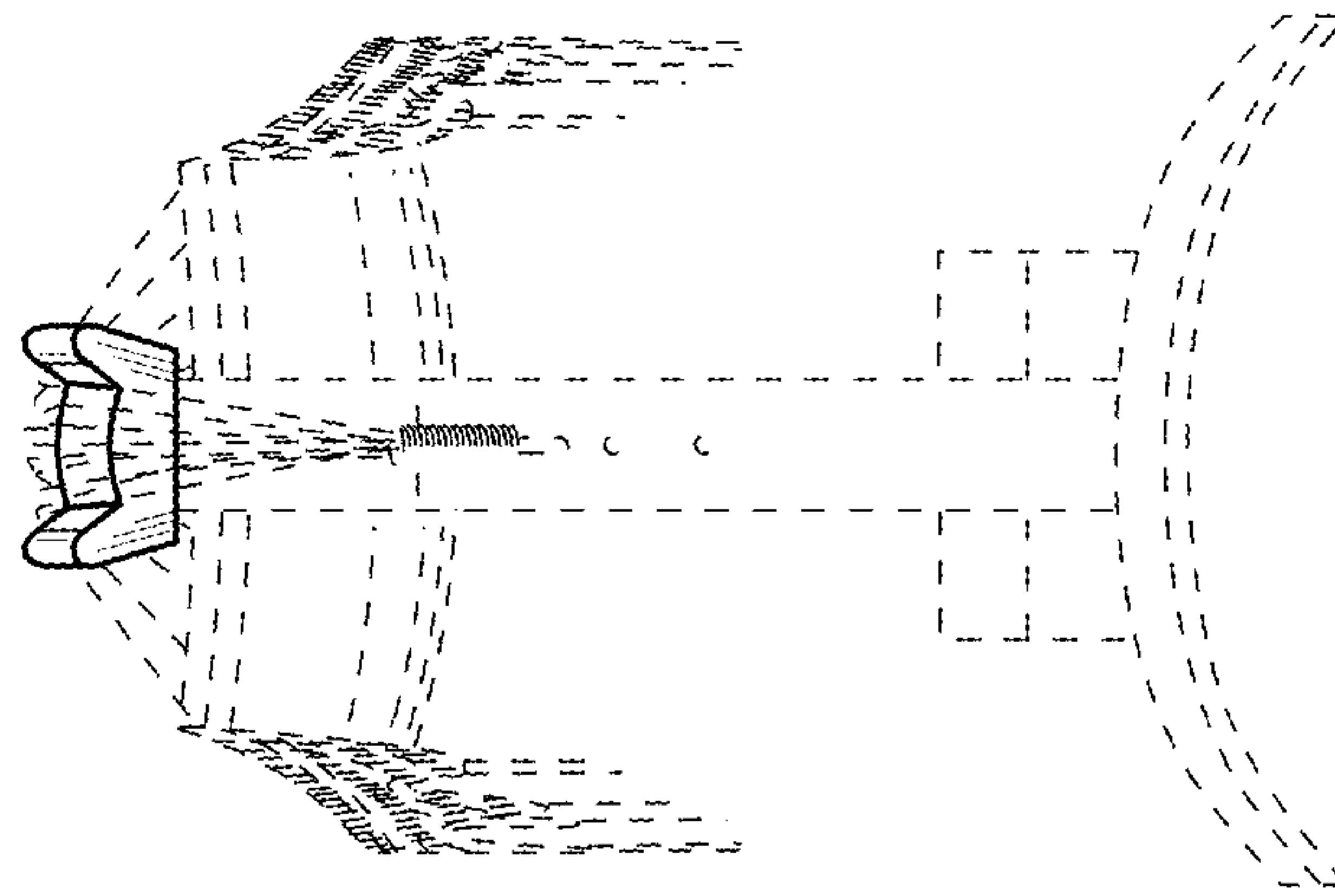


FIG. 4

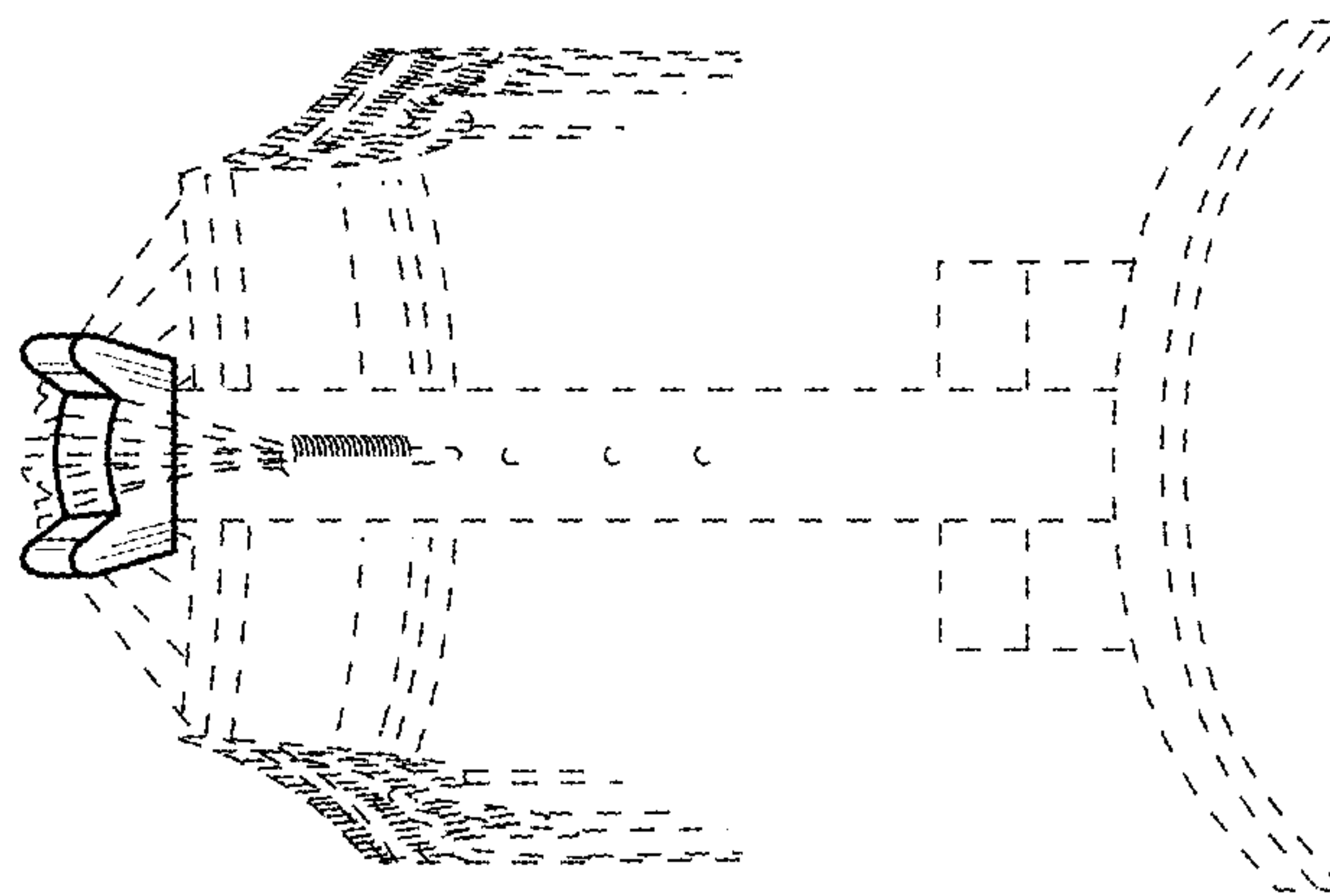


FIG. 5

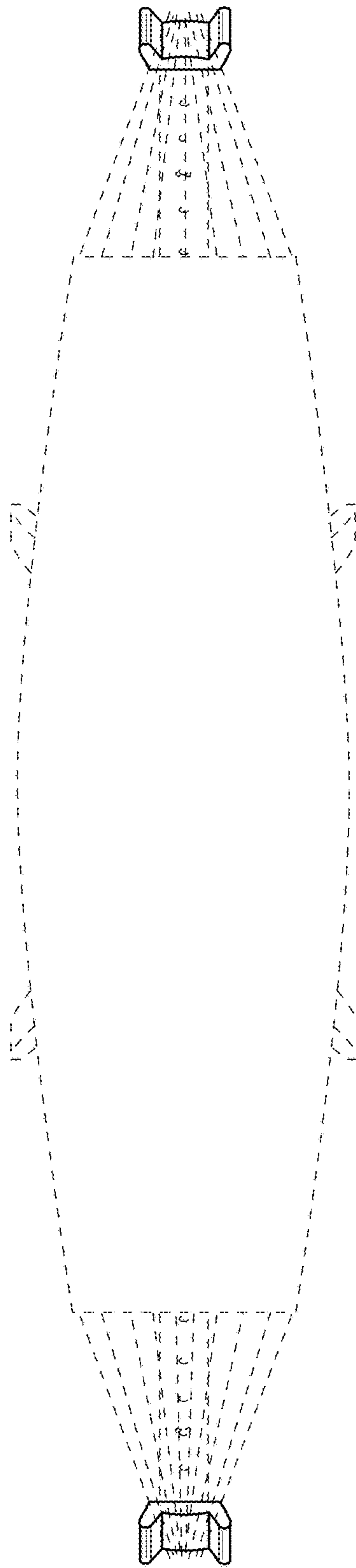


FIG. 6

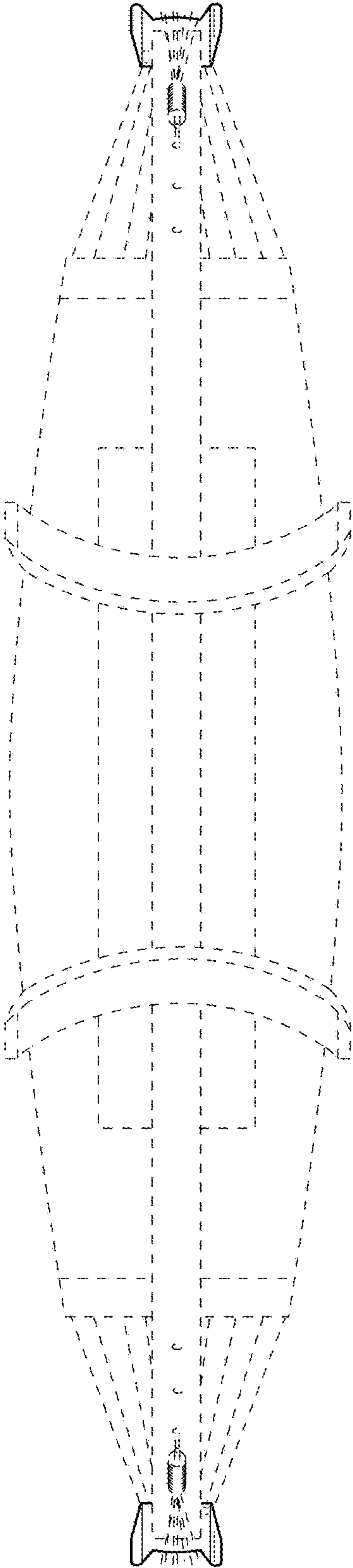


FIG. 7

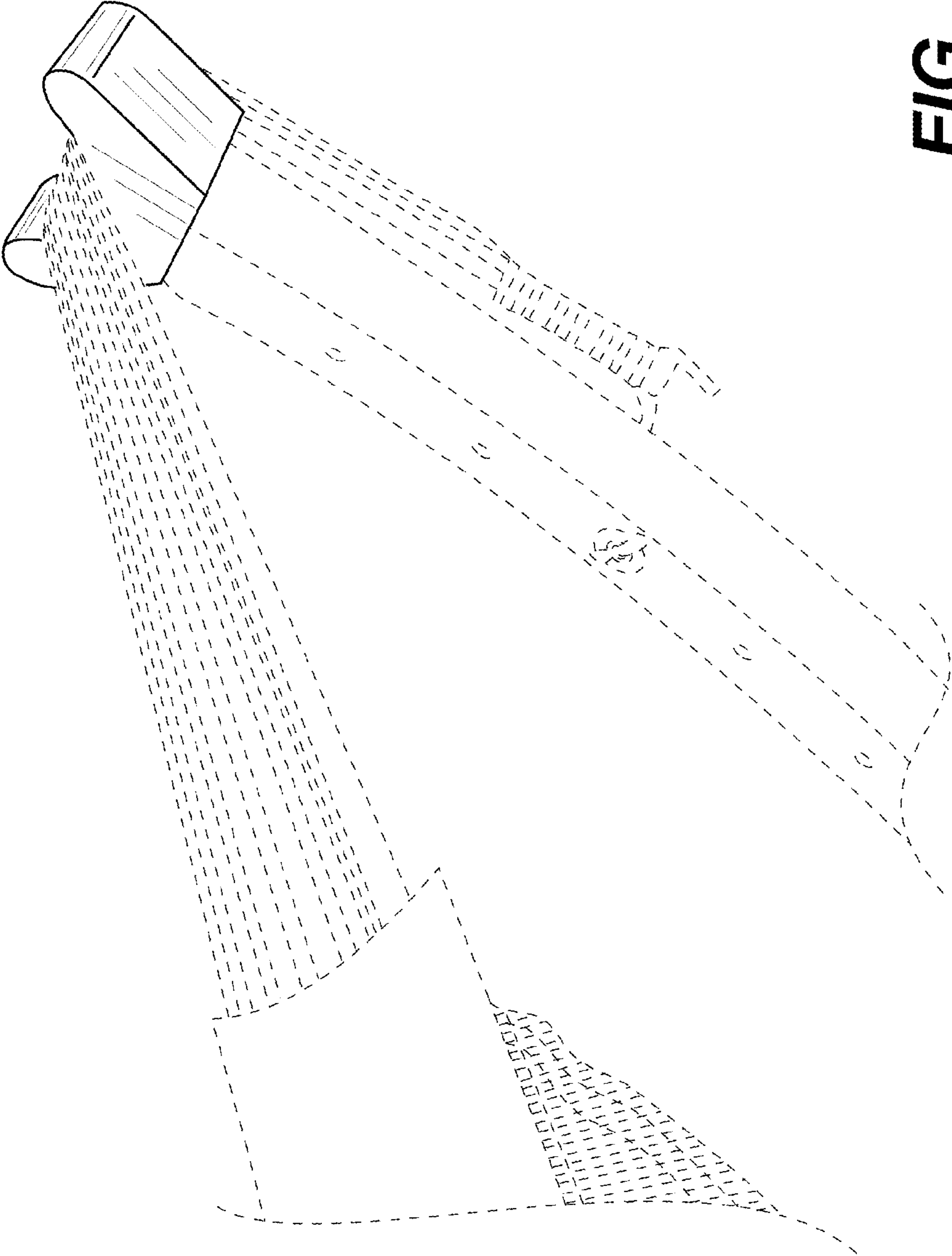


FIG. 8