



US00D785999S

(12) **United States Design Patent**
Gappa

(10) **Patent No.:** **US D785,999 S**

(45) **Date of Patent:** **** May 9, 2017**

- (54) **ARTICULATING HUNTERS BACKREST**
- (71) Applicant: **Grant Thomas Gappa**, Frederick, SD (US)
- (72) Inventor: **Grant Thomas Gappa**, Frederick, SD (US)
- (**) Term: **15 Years**
- (21) Appl. No.: **29/546,603**
- (22) Filed: **Nov. 24, 2015**
- (51) **LOC (10) Cl.** **06-01**
- (52) **U.S. Cl.**
USPC **D6/716.4**; D6/368
- (58) **Field of Classification Search**
USPC D6/334, 335, 366, 361, 367, 368, 374, D6/375, 716, 716.1, 716.4
CPC A47C 9/00; A47C 9/10; A47C 16/005; A47C 7/40; A47C 7/407; A47C 1/146; A47C 5/005; A45F 4/00; A45F 4/02
See application file for complete search history.

- 5,020,854 A * 6/1991 Powell A47C 1/146 297/377
 - D337,000 S * 7/1993 Williams D6/368
 - D343,525 S * 1/1994 Wright D6/335
 - 5,432,967 A * 7/1995 Raftery A47C 16/005 5/633
 - 5,588,570 A * 12/1996 Zirbel A45F 4/02 224/155
 - 5,836,653 A * 11/1998 Albecker A47C 1/146 297/452.16
 - 5,921,627 A 7/1999 Risetter
 - 6,015,190 A 1/2000 Wend
 - 6,250,712 B1 * 6/2001 Livingston A47C 1/146 297/129
 - 6,695,378 B2 2/2004 Hanagan
 - 6,698,131 B2 3/2004 Latschaw
- (Continued)

Primary Examiner — Mimosa De
(74) *Attorney, Agent, or Firm* — Antonio Papageorgiou; Meister Seelig & Fein LLP

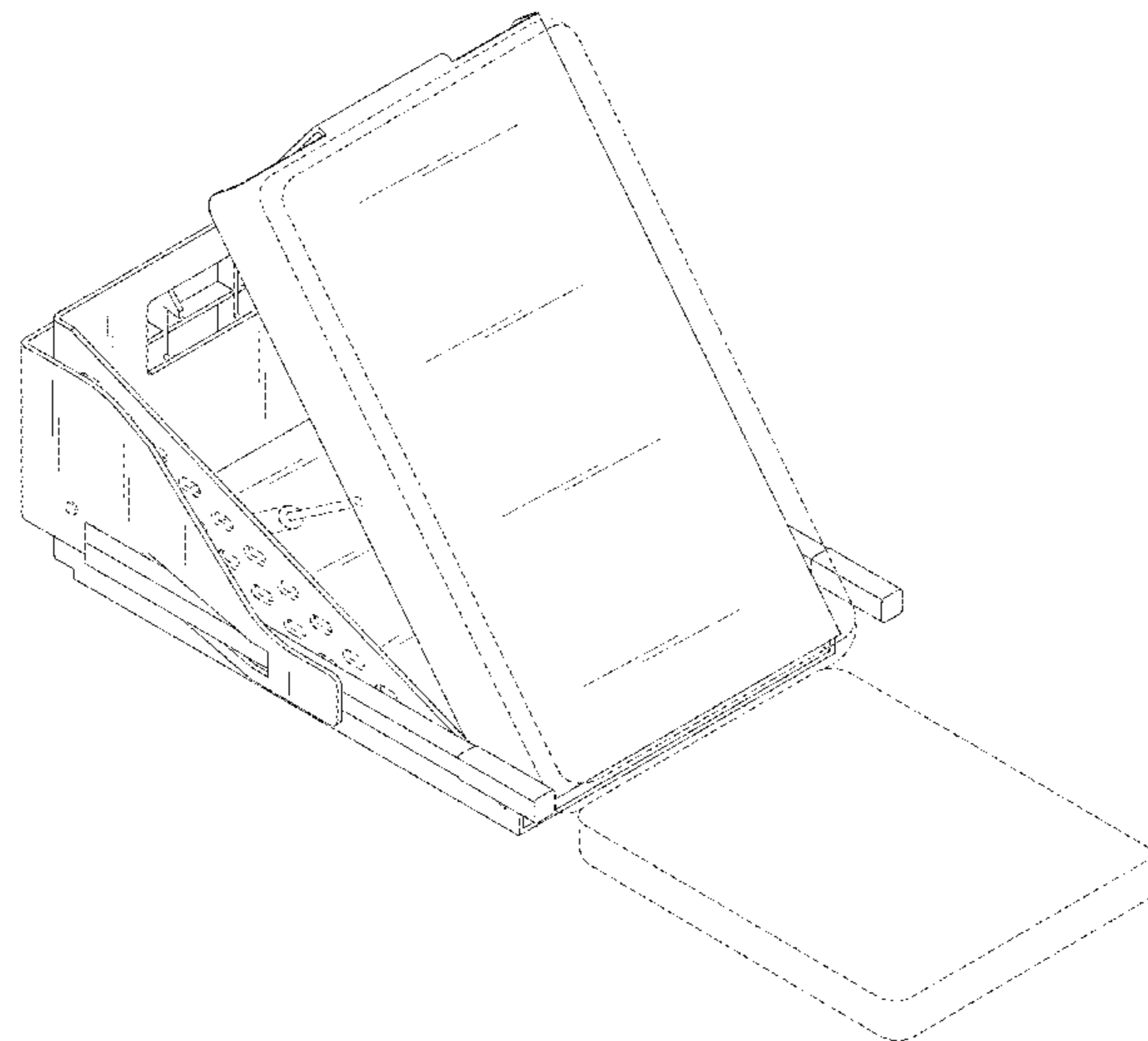
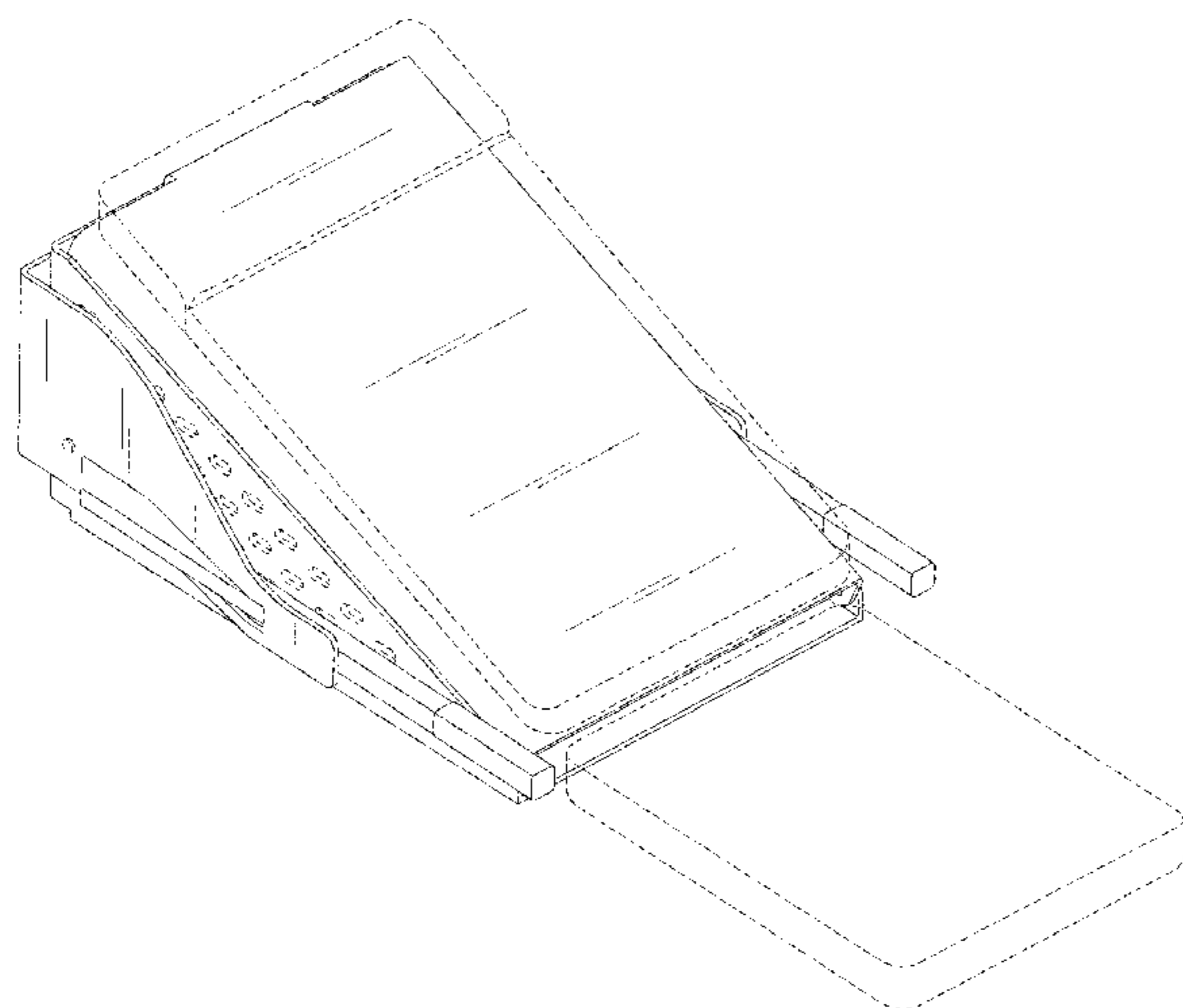
(57) **CLAIM**

The ornamental design for an articulating hunters backrest, as shown and described.

DESCRIPTION

FIG. 1 is a perspective view of one side and the front of the articulating hunters backrest according to one embodiment of my new design;
FIG. 2 is a front elevation view thereof;
FIG. 3 is a back elevation view thereof;
FIG. 4 is a left side elevation view thereof;
FIG. 5 is a right side elevation view thereof;
FIG. 6 is a top plan view thereof;
FIG. 7 is a bottom view thereof; and,
FIG. 8 is a perspective view like FIG. 1, with the invention in an articulated position.
The dashed lines shown in the drawings illustrate environmental subject matter and form no part of the claimed design.

1 Claim, 8 Drawing Sheets



(56)

References Cited

U.S. PATENT DOCUMENTS

6,820,928 B1 11/2004 Ransom
6,913,312 B2 * 7/2005 Clary A47C 1/146
297/118
7,007,328 B1 * 3/2006 Bailey A47C 16/005
5/632
7,114,770 B2 10/2006 Murphy
7,575,241 B1 8/2009 Keller
7,717,514 B2 5/2010 Redmann
D641,563 S * 7/2011 Matteson D6/368
7,997,291 B2 8/2011 Gressette, III et al.
8,678,489 B1 3/2014 Skinner
D717,057 S * 11/2014 Inestroza D6/368
D726,428 S * 4/2015 Inestroza D6/368
9,072,290 B1 7/2015 McCauley
2004/0021354 A1 2/2004 Hogg
2010/0019550 A1 1/2010 Cook et al.
2010/0176639 A1 7/2010 Balgaard
2010/0270831 A1 10/2010 Kelly
2014/0210238 A1 7/2014 Kania et al.

* cited by examiner

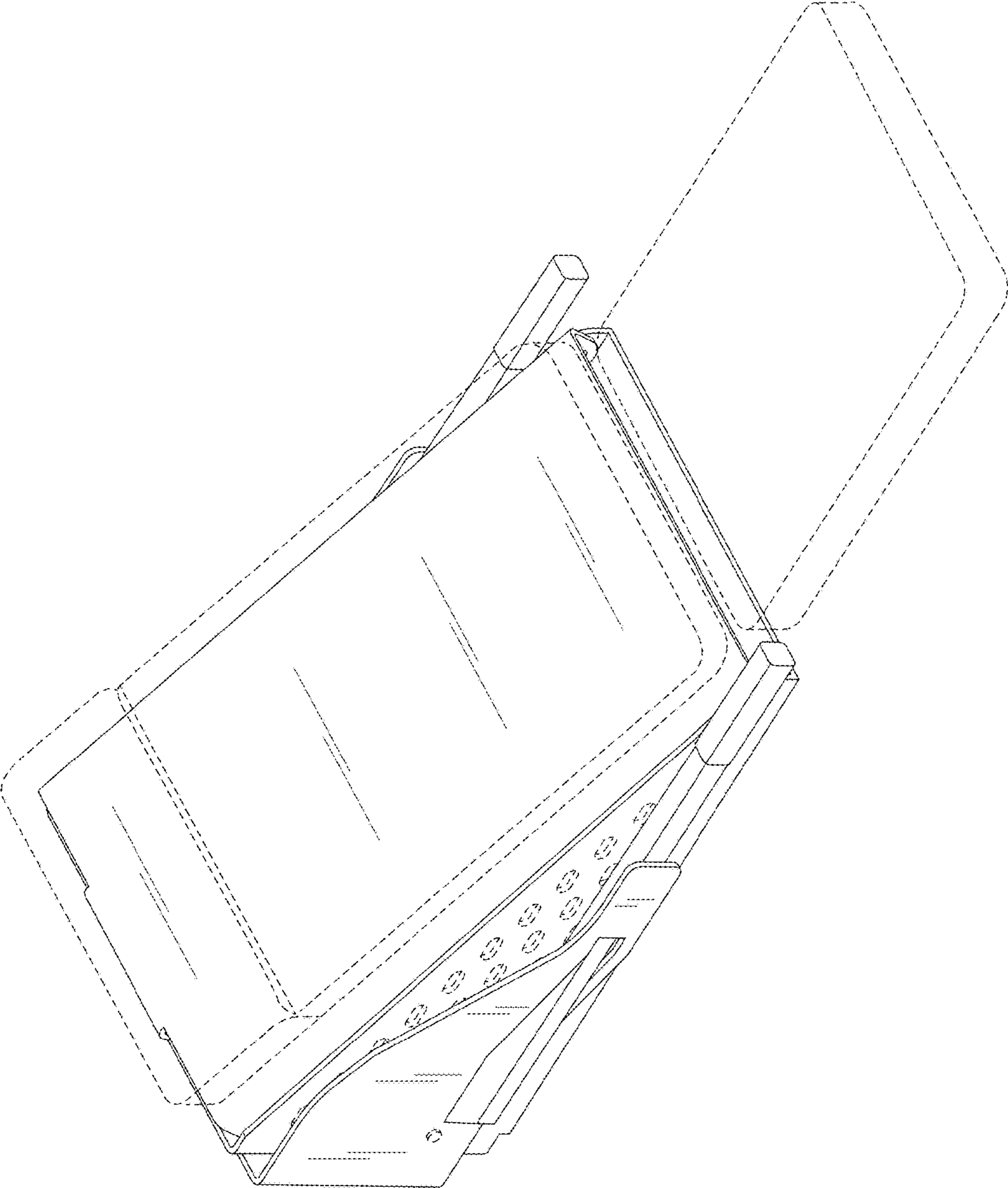


FIG. 1

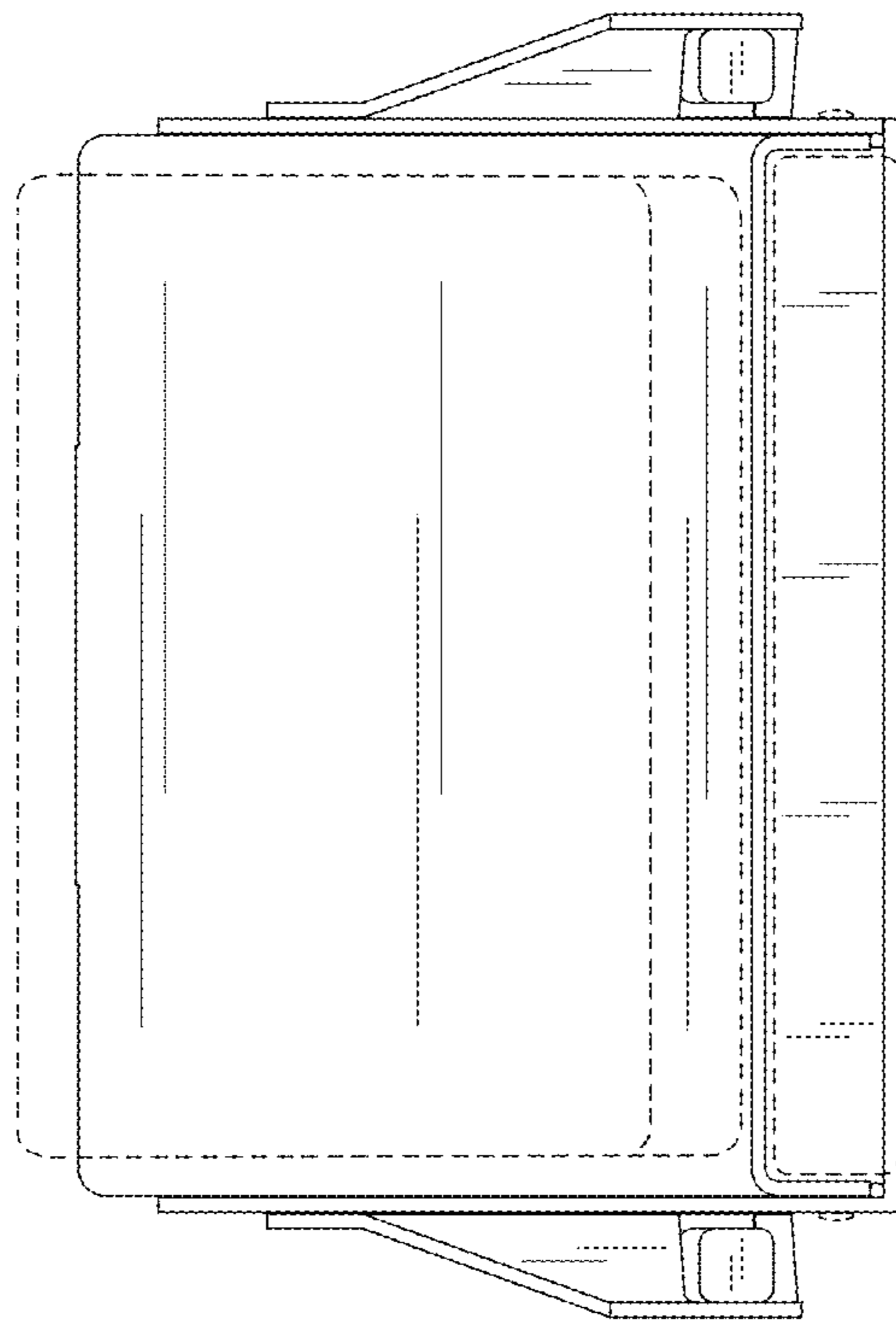


FIG. 2

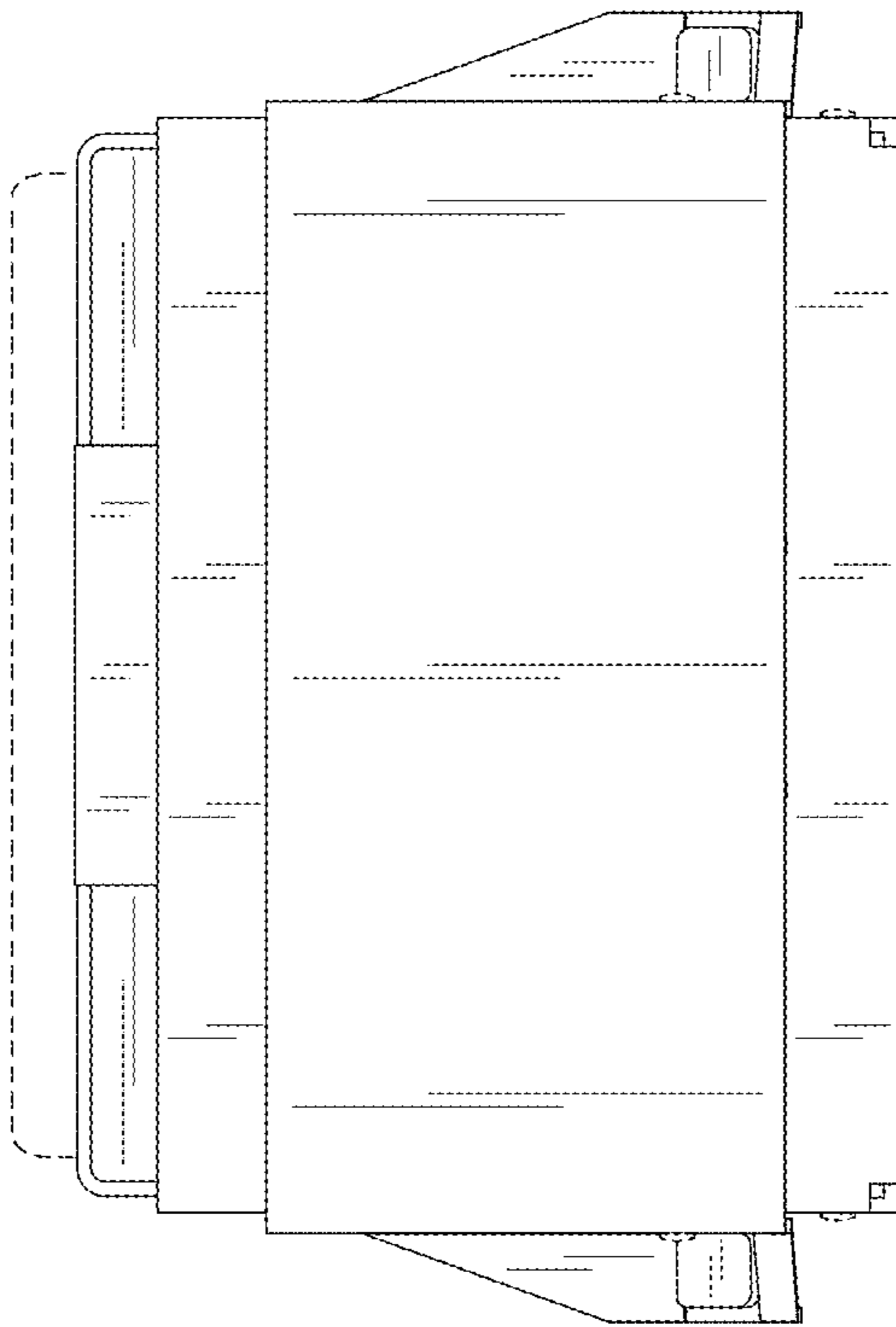


FIG. 3

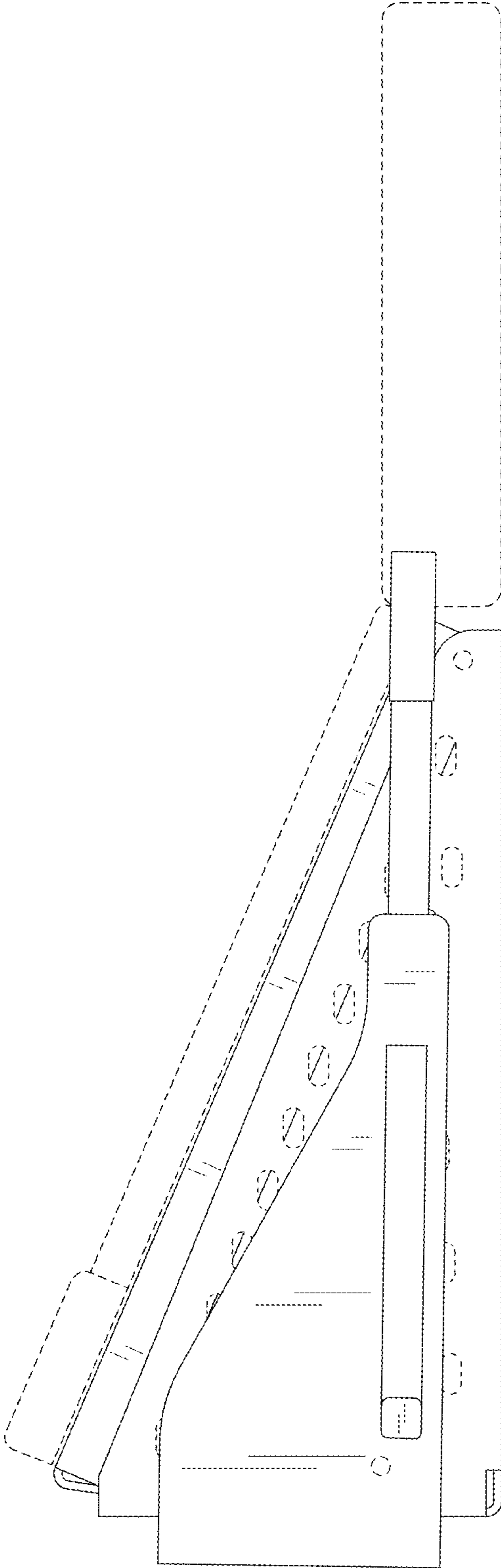


FIG. 4

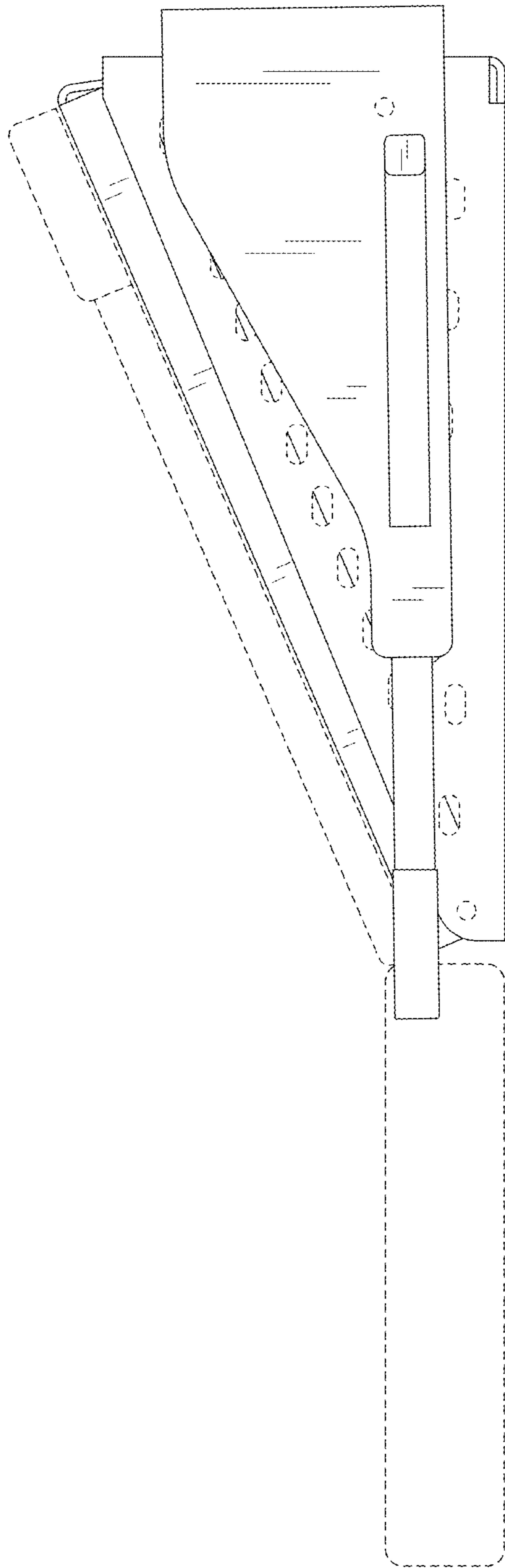


FIG. 5

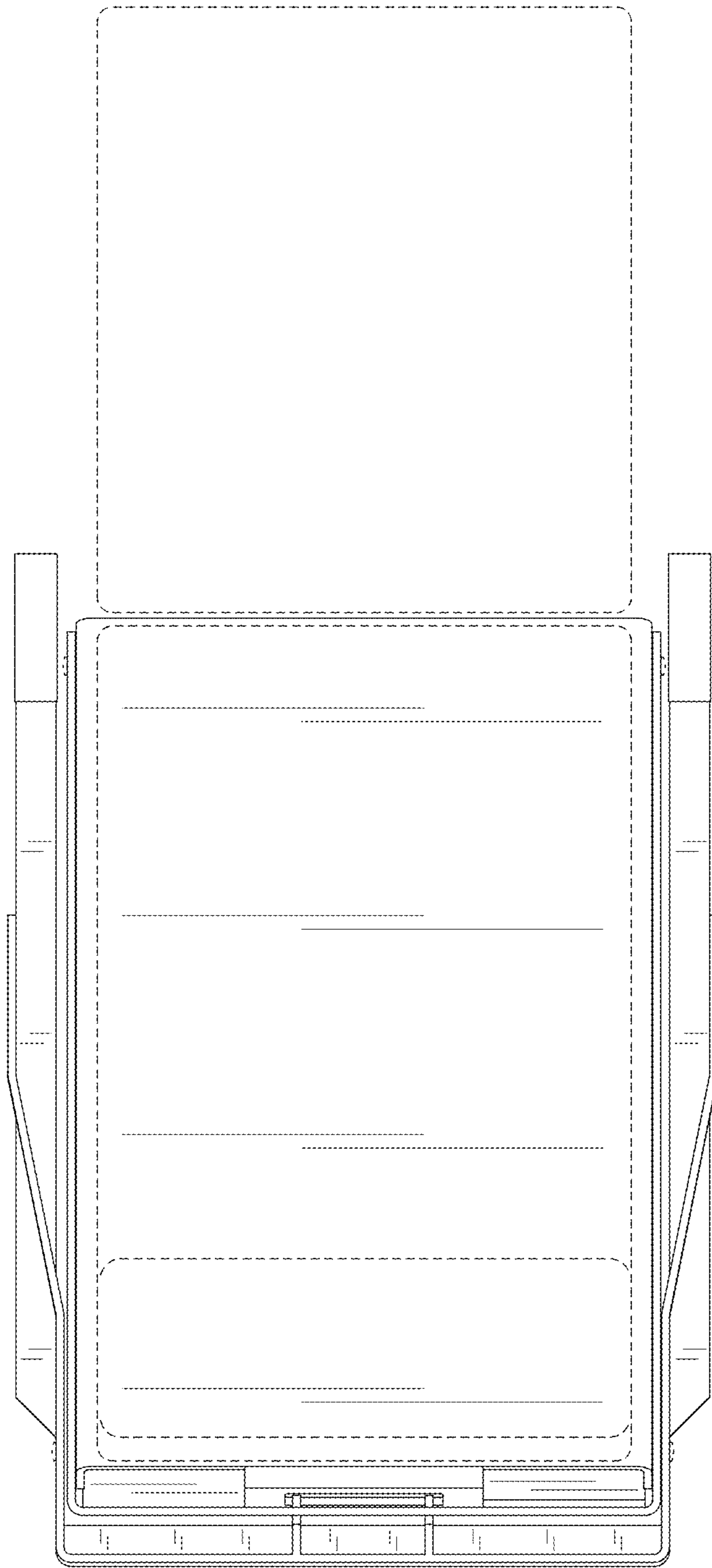


FIG. 6

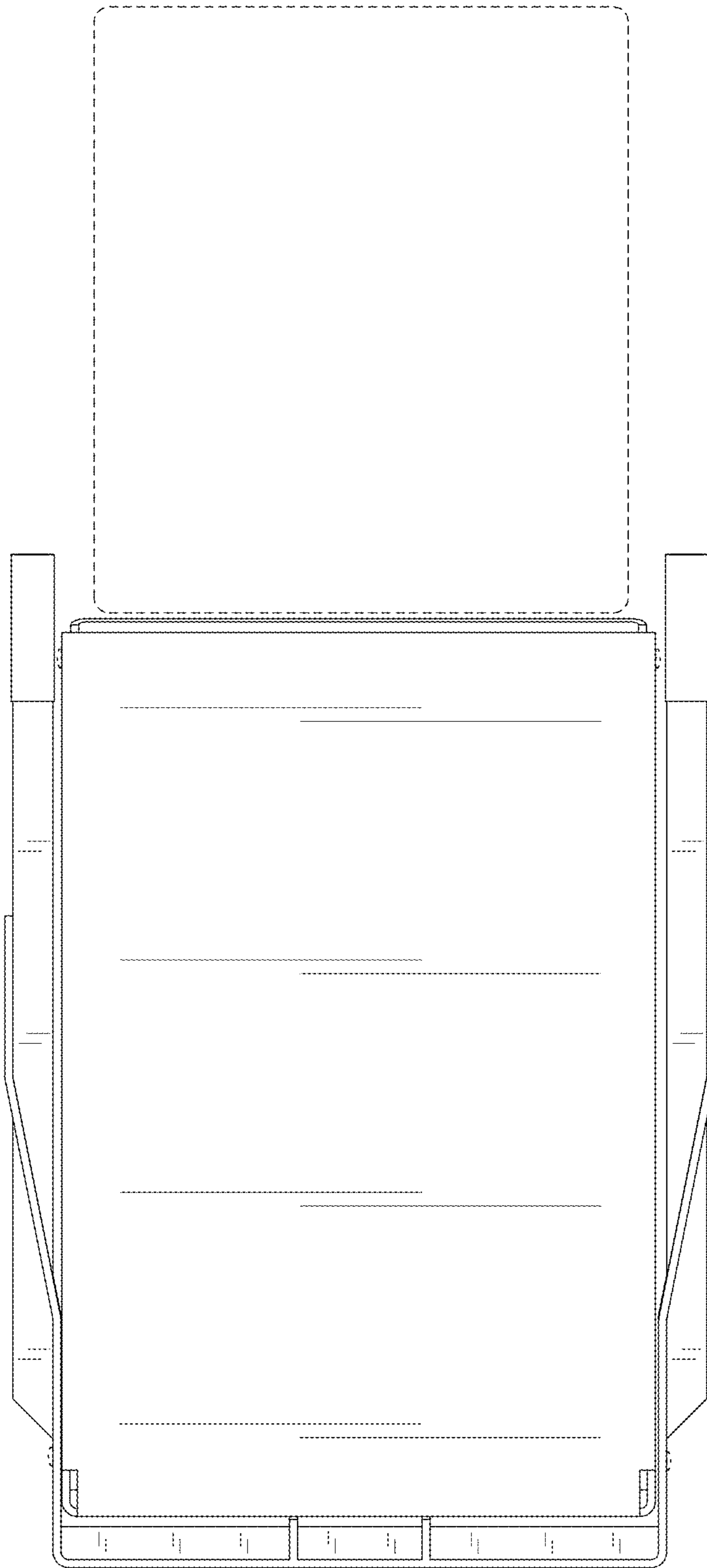


FIG. 7

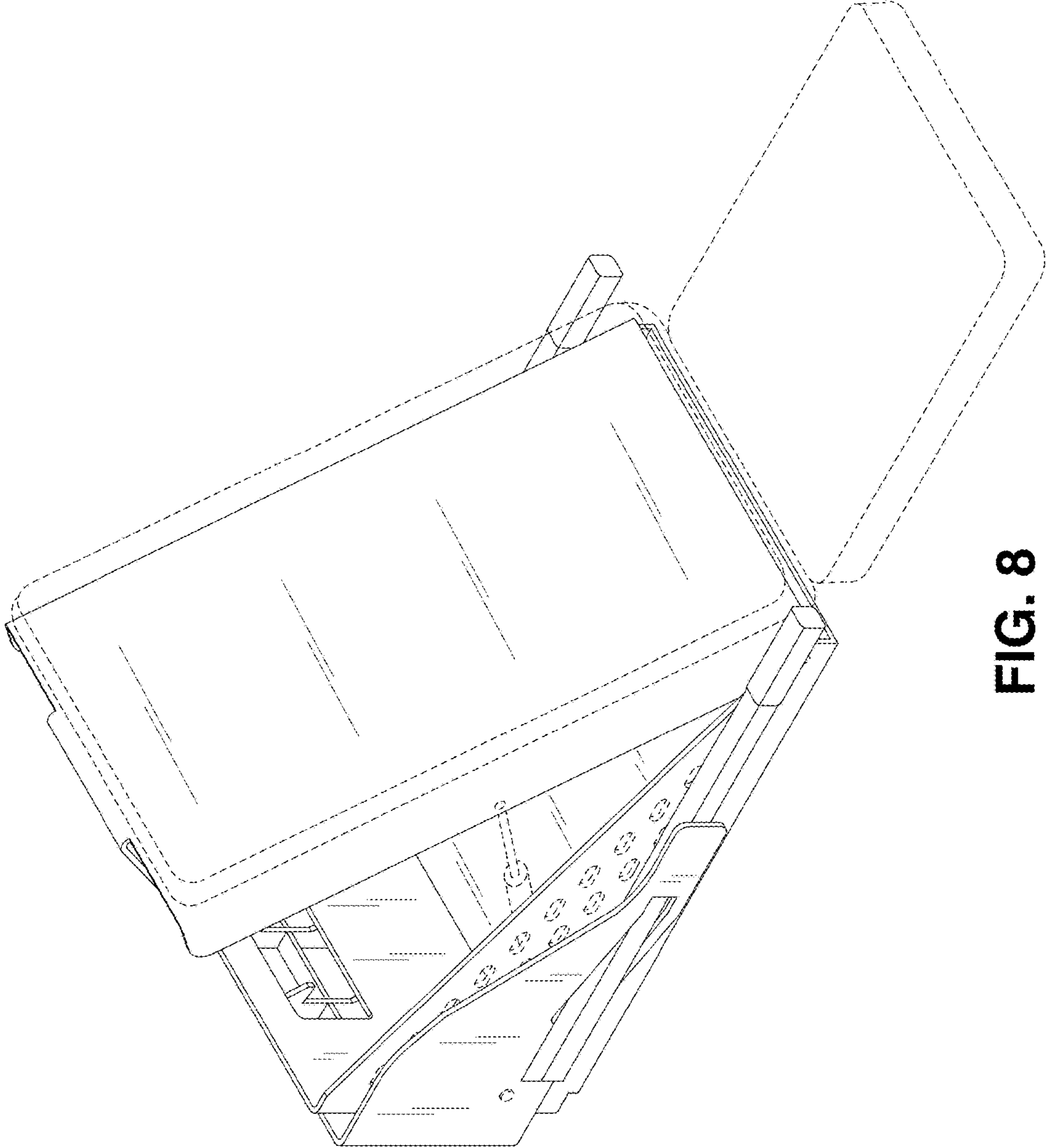


FIG. 8