



US00D785998S

(12) **United States Design Patent**
Ishii et al.

(10) **Patent No.:** **US D785,998 S**

(45) **Date of Patent:** **** May 9, 2017**

(54) **VEHICLE SEAT**

FOREIGN PATENT DOCUMENTS

(71) Applicant: **TACHI-S CO., LTD.**, Tokyo (JP)

JP 1005171 S 3/1998

JP 1497916 S 5/2014

(72) Inventors: **Atsushi Ishii**, Tokyo (JP); **Hiroshi Sekino**, Tokyo (JP)

JP 1497917 S 5/2014

JP 1502246 S 7/2014

* cited by examiner

(73) Assignee: **TACHI-S CO., LTD.**, Tokyo (JP)

Primary Examiner — Rosemary K Tarcza

Assistant Examiner — Christy Nemeth

(**) Term: **14 Years**

(74) *Attorney, Agent, or Firm* — Miles & Stockbridge P.C.

(21) Appl. No.: **29/499,506**

(57) **CLAIM**

(22) Filed: **Aug. 15, 2014**

The ornamental design for a vehicle seat, as shown and described.

(30) **Foreign Application Priority Data**

DESCRIPTION

Feb. 27, 2014 (JP) 2014-004105

(51) **LOC (10) Cl.** **06-01**

(52) **U.S. Cl.**
USPC **D6/716.4**

(58) **Field of Classification Search**
USPC D6/356, 716, 716.1, 716.4, 611;
180/9.23; 244/122

CPC B60R 2011/0012; B60R 2011/0015; B60N
2/00; B60N 2/24; B60N 2/242; B60N
2/44

See application file for complete search history.

FIG. 1 is a front, top and right side perspective view of a vehicle seat showing our new design;
FIG. 2 is a front elevational view thereof;
FIG. 3 is a rear elevational view thereof;
FIG. 4 is a right side elevational view thereof;
FIG. 5 is a left side elevational view thereof;
FIG. 6 is a top plan view thereof;
FIG. 7 is a bottom plan view thereof;
FIG. 8 is an enlarged fragment view taken along 8-8 in FIG. 2 thereof; and,
FIG. 9 is a cross-sectional view taken along line 9-9 in FIG. 8.

(56) **References Cited**

U.S. PATENT DOCUMENTS

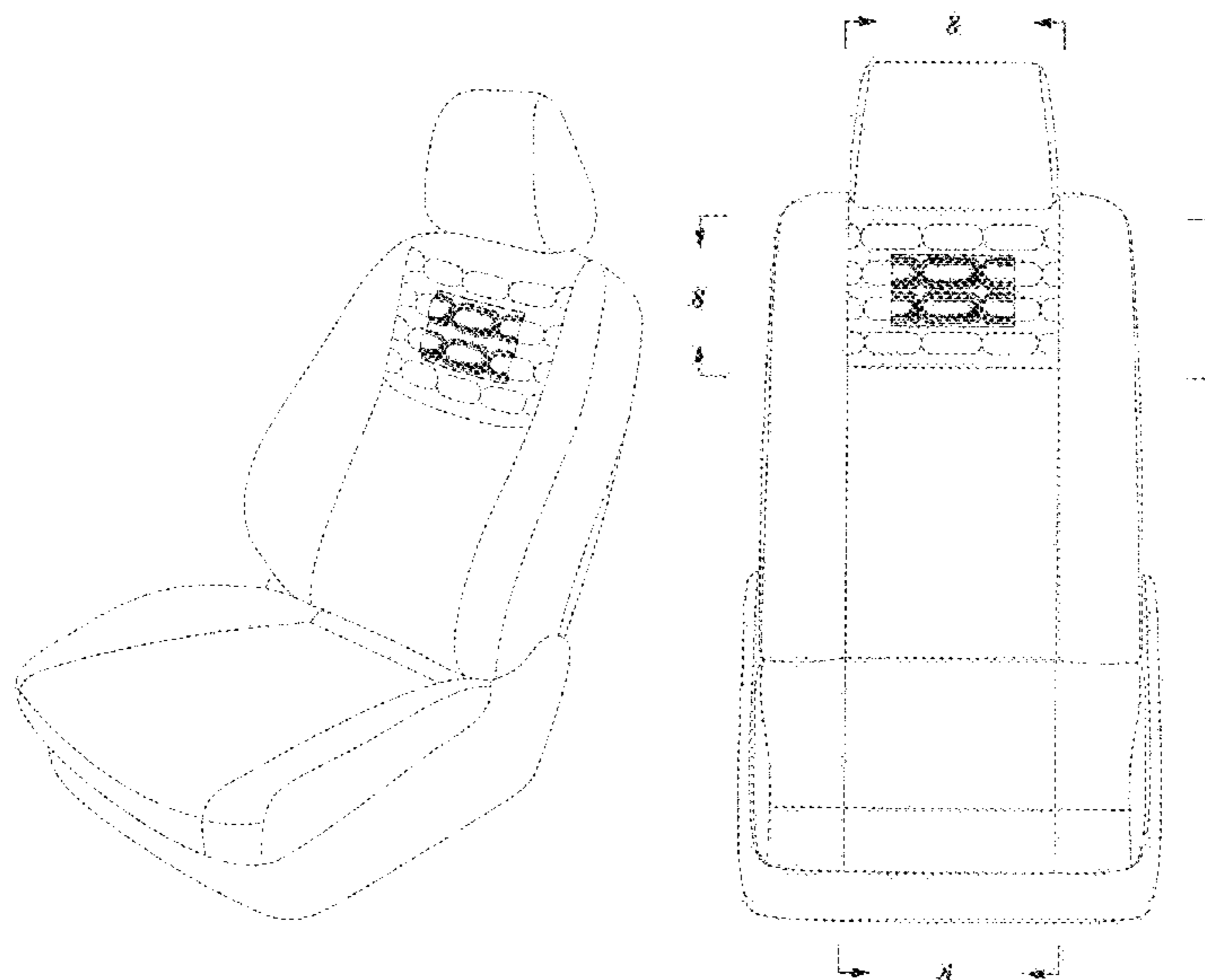
D726,470 S * 4/2015 Itou D6/716.4
D741,099 S * 10/2015 Igarashi D6/716.4
2010/0187876 A1 * 7/2010 Nitsuma B60N 2/4228
297/216.13
2013/0057035 A1 * 3/2013 Nishiura B60N 2/7011
297/218.3
2015/0352986 A1 * 12/2015 Fujita B60N 2/68
297/216.1

The dash-dot-dash broken lines represent the boundary lines of the claimed design.

The lightweight dashed broken lines shown in the drawings outside of the dash-dot-dash boundary lines represent portions of the vehicle seat that form no part of the claimed design.

The heavyweight dashed broken lines shown in the drawings within the dash-dot-dash boundary lines illustrate stitching and do form a part of the claimed design.

1 Claim, 9 Drawing Sheets



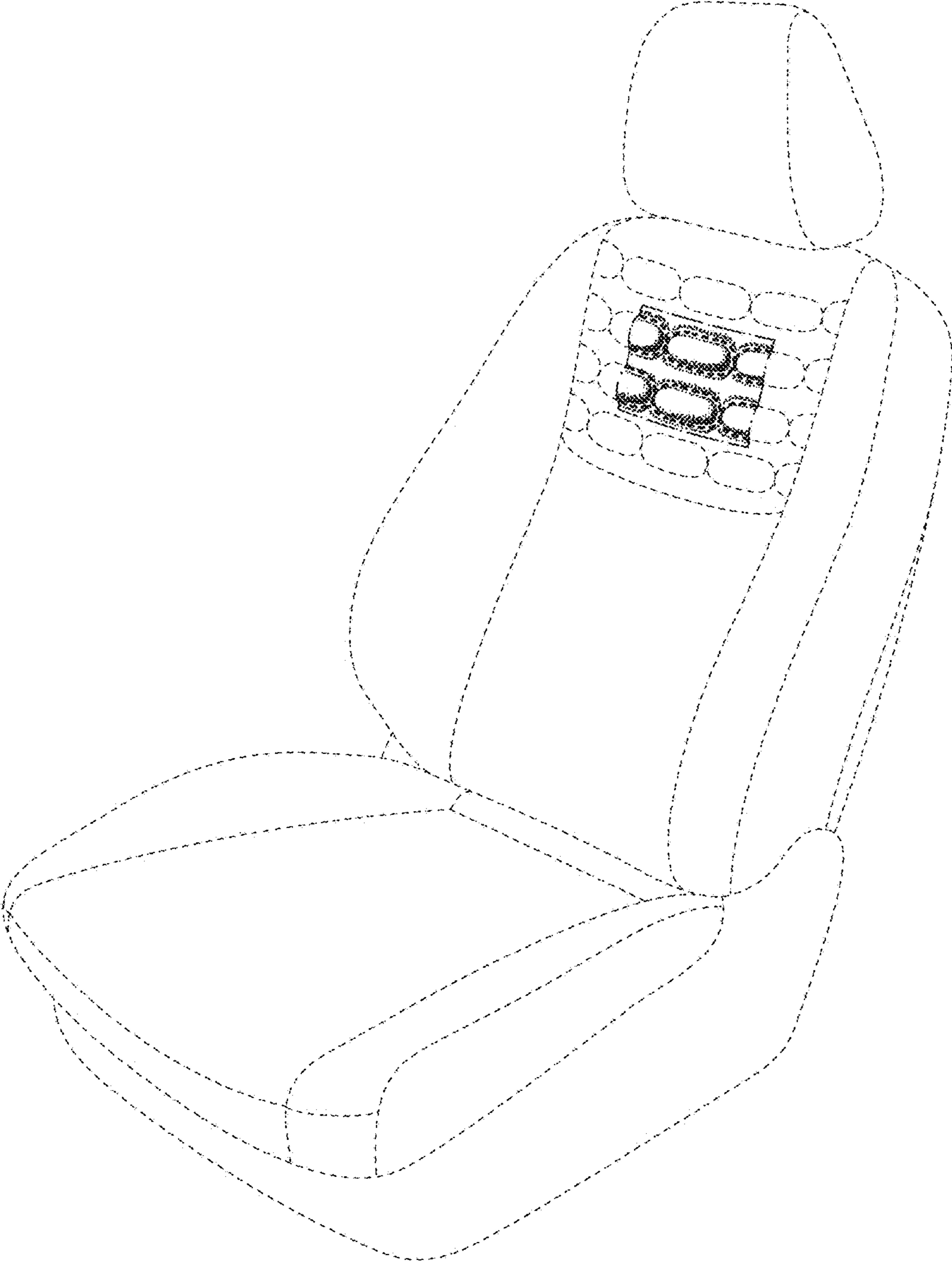


Fig. 1

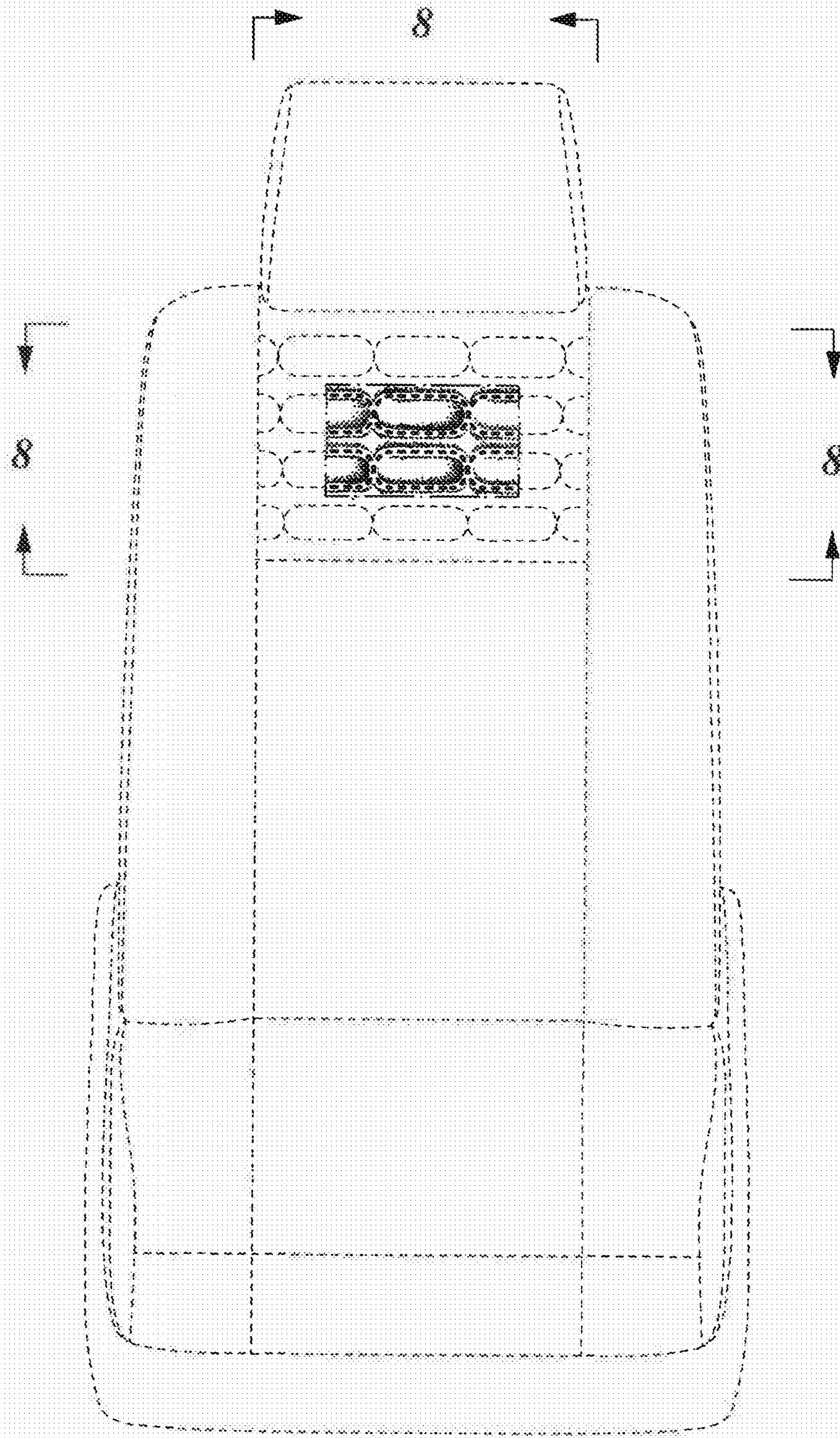
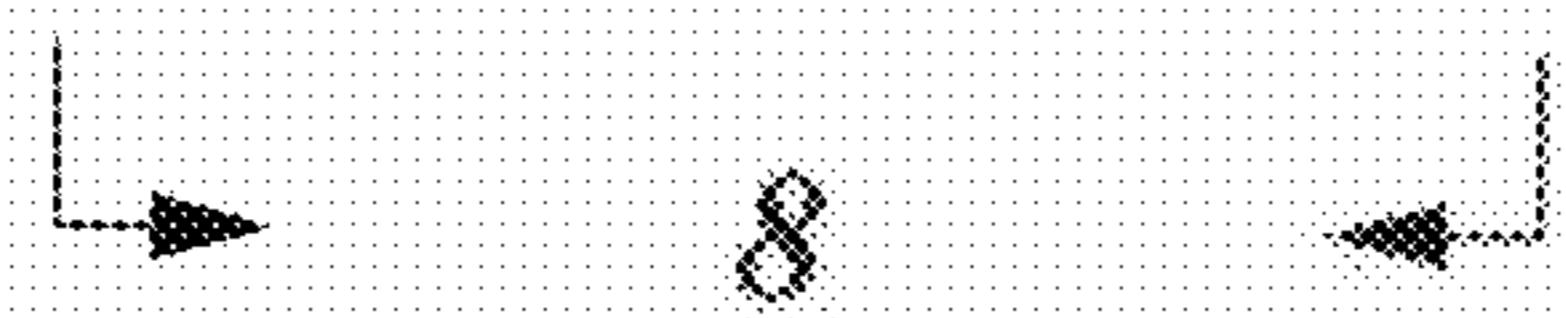


Fig. 2



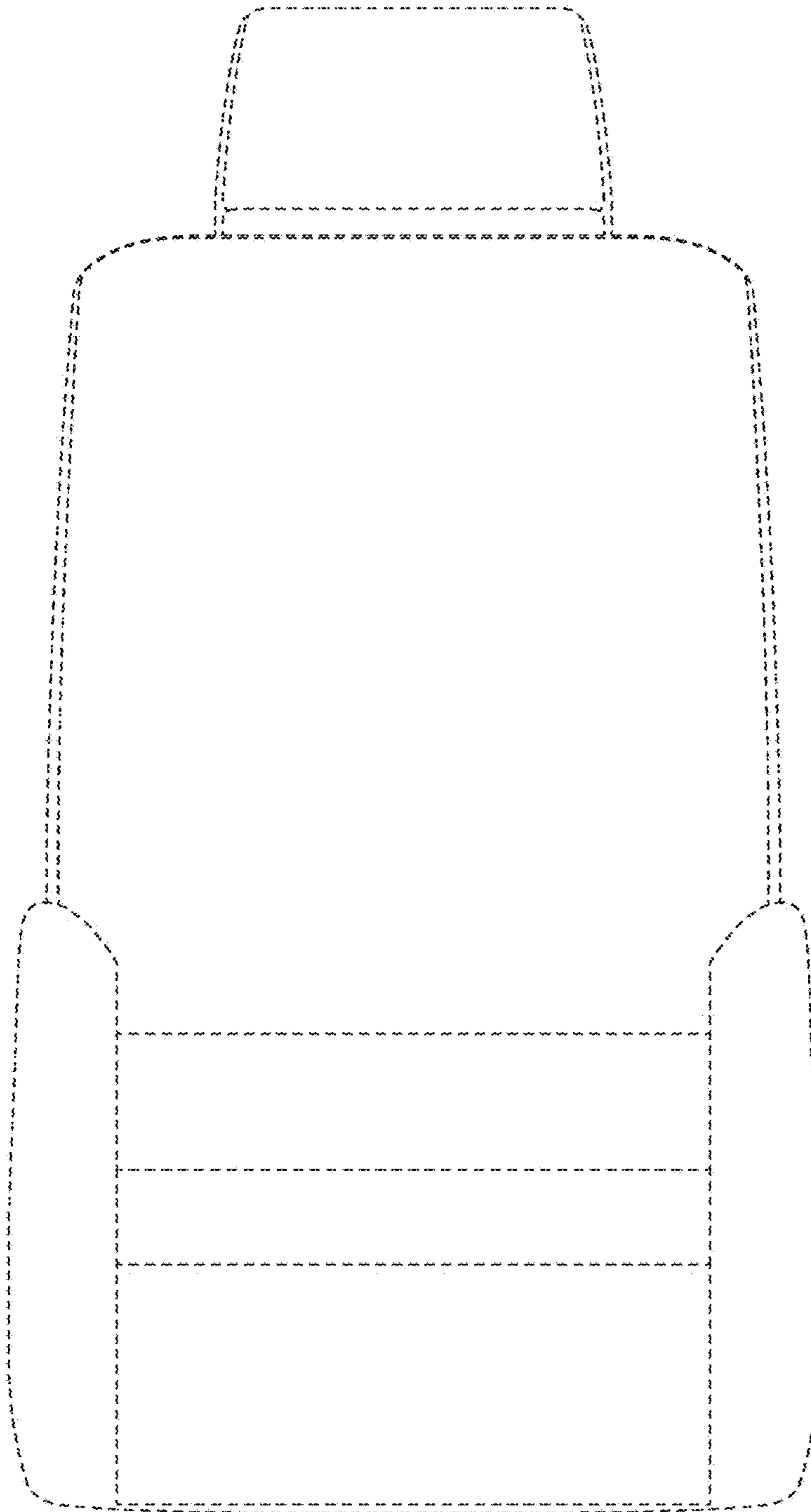


Fig. 3

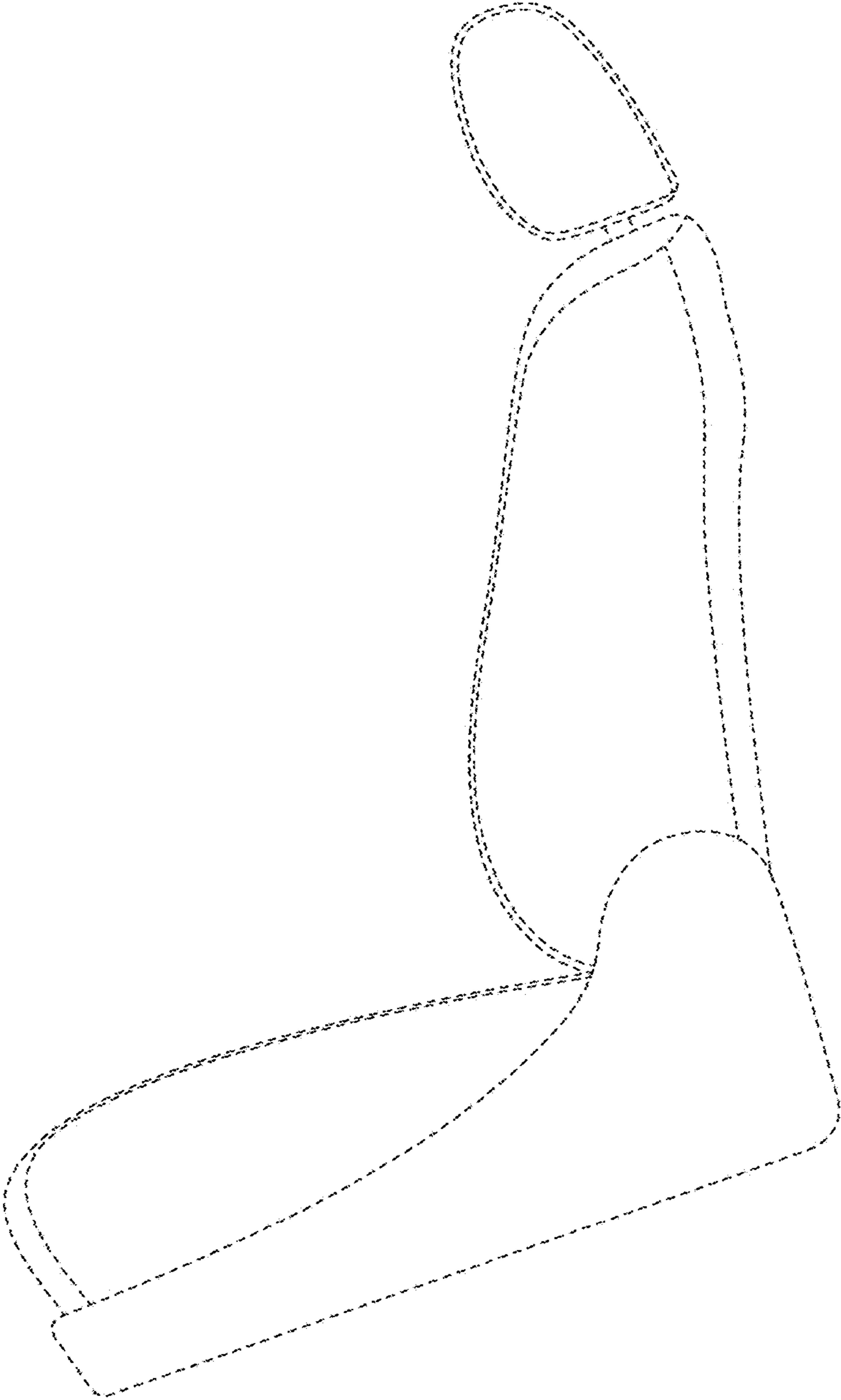


Fig. 4

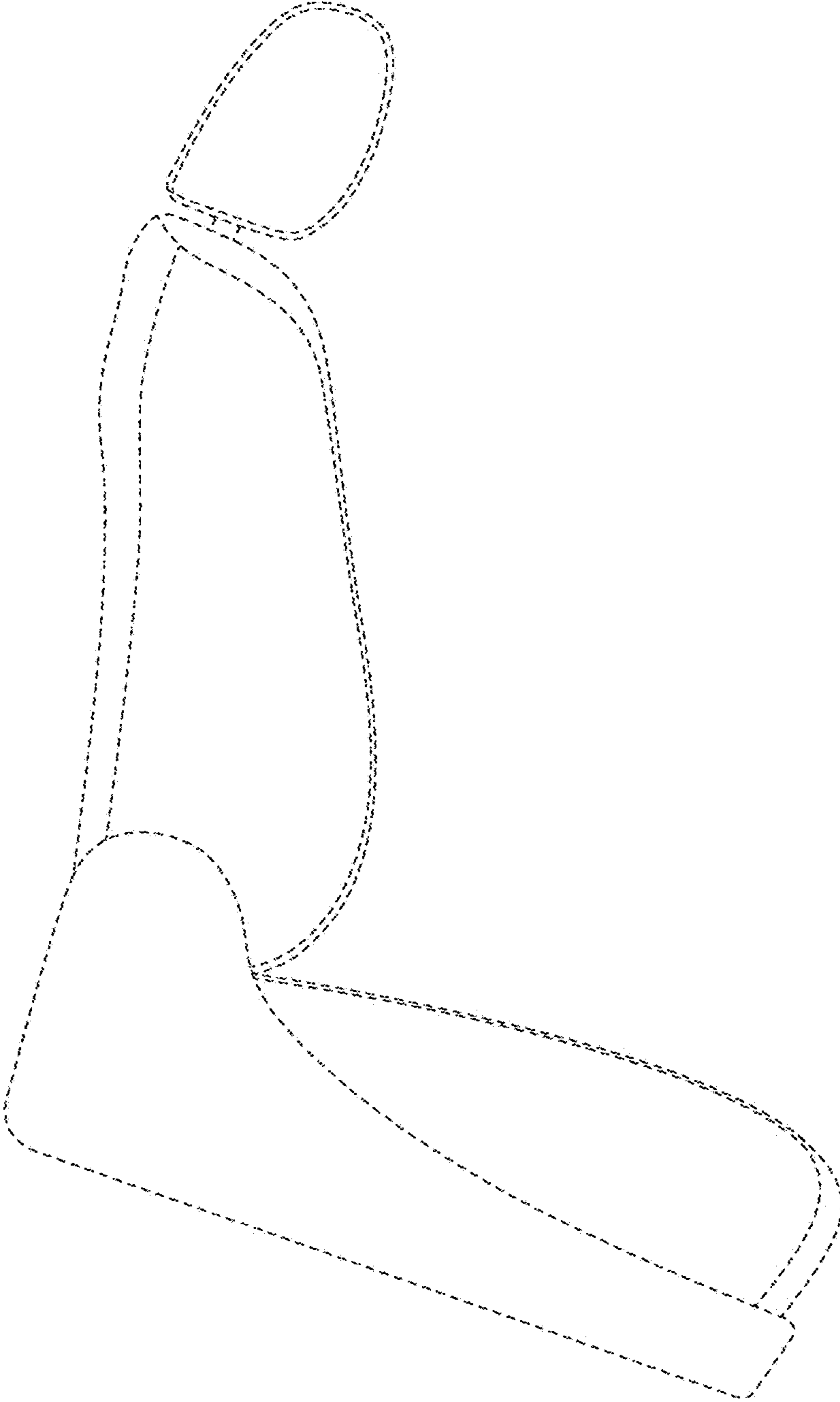


Fig. 5

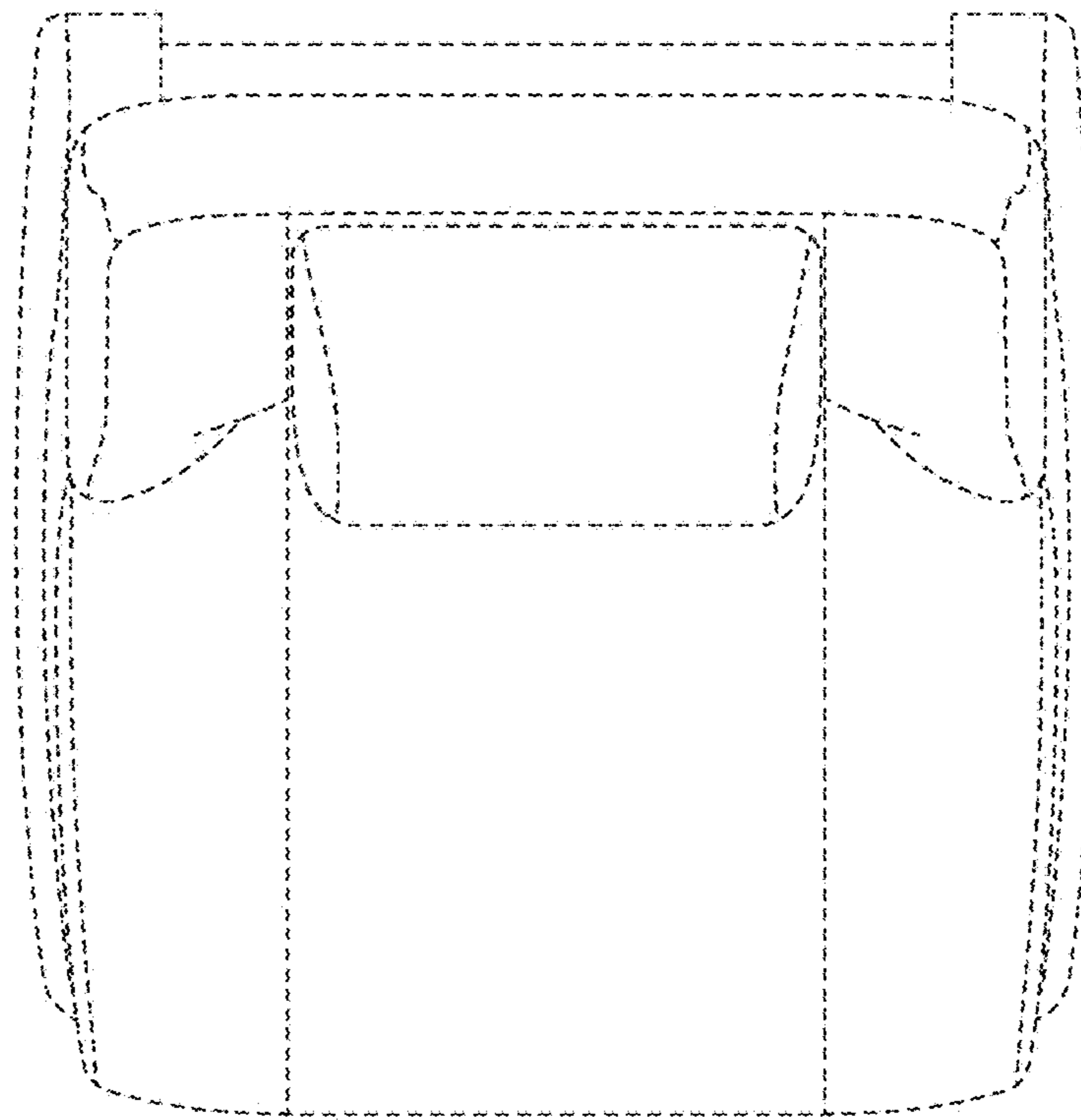


Fig. 6

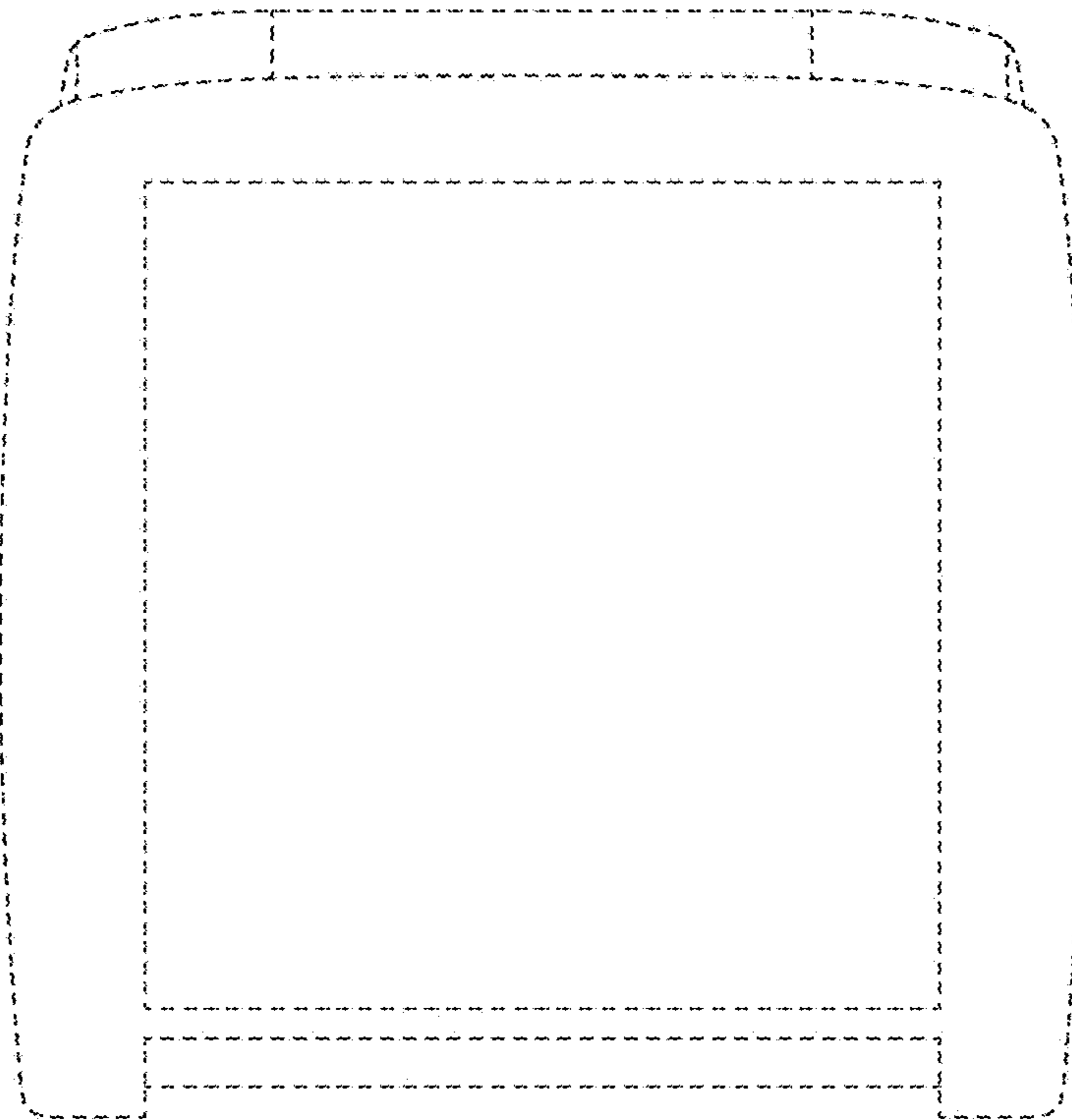


Fig. 7

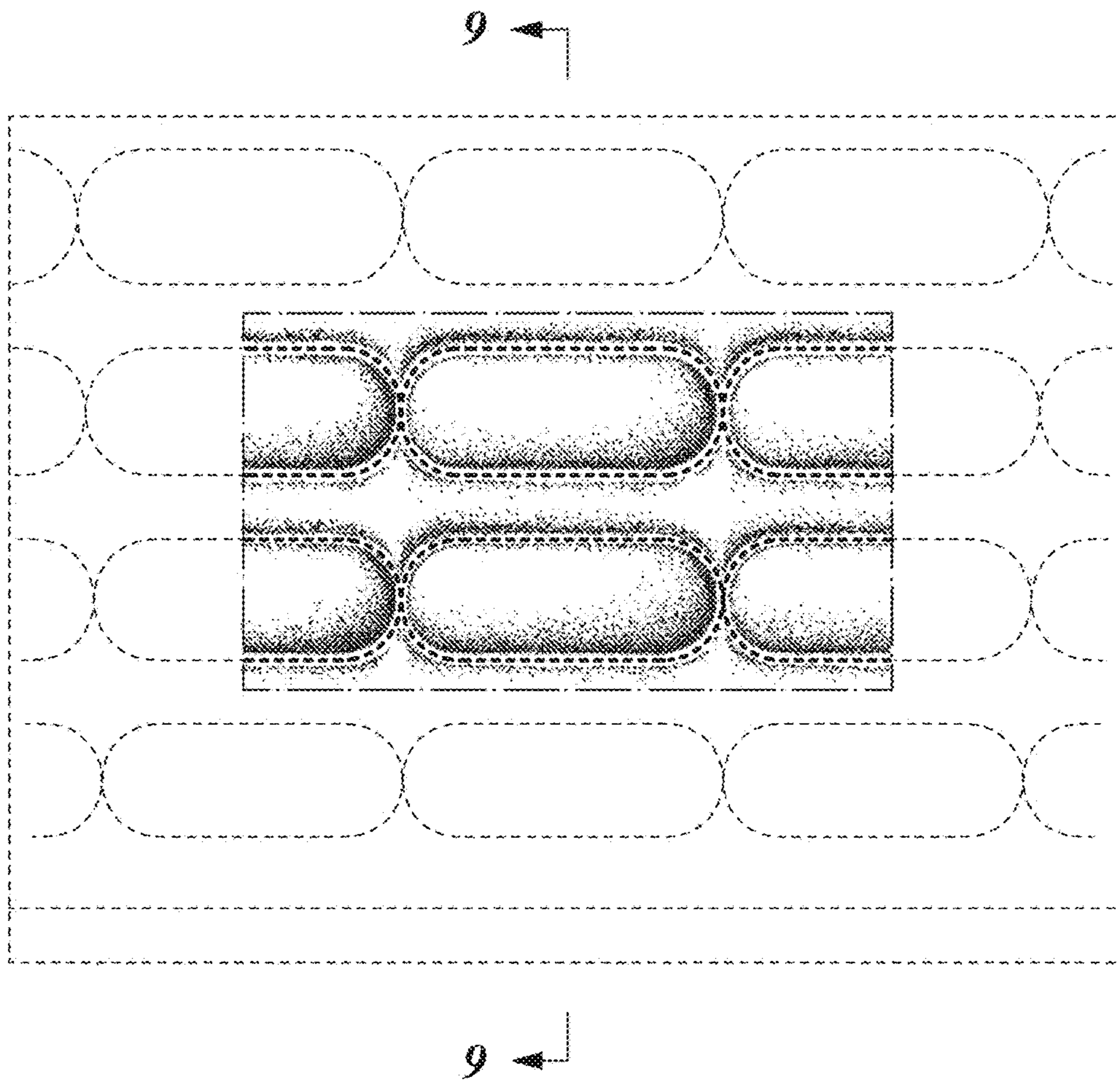


Fig. 8

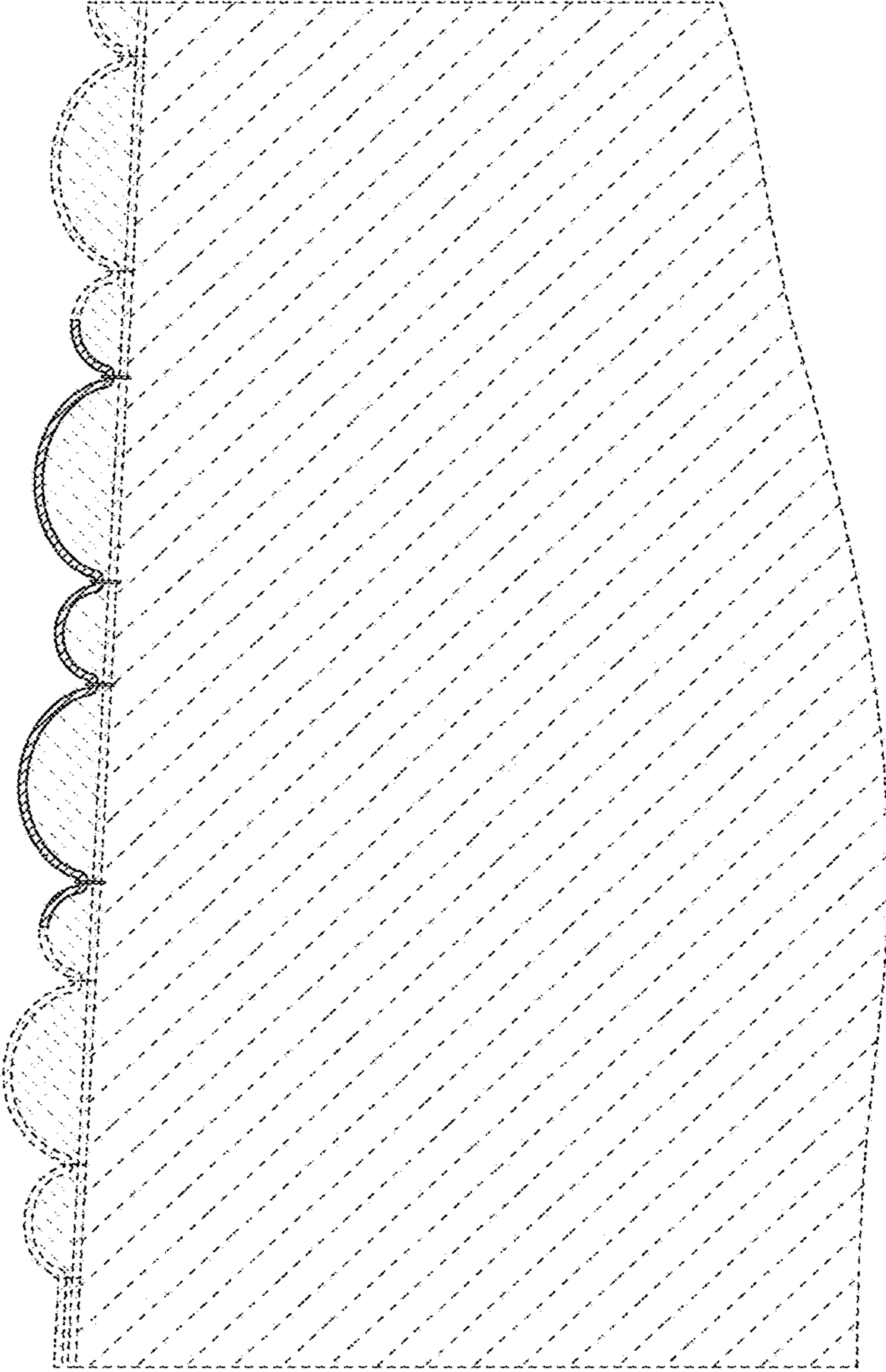


Fig. 9