



US00D785996S

(12) **United States Design Patent**
Tsai

(10) **Patent No.:** **US D785,996 S**
(45) **Date of Patent:** **** May 9, 2017**

(54) **HANDLE FOR SHELVES**

3/002; B62B 3/005; B42F 7/10; A47J
45/10

(71) Applicant: **PRETTY STAR STORE LLC**,
Rowland Heights, CA (US)

See application file for complete search history.

(72) Inventor: **Tsung-Yu Tsai**, Changhua (TW)

(56) **References Cited**

(73) Assignee: **PRETTY STAR STORE LLC**,
Rowland Heights, CA (US)

U.S. PATENT DOCUMENTS

(**) Term: **14 Years**

D132,171 S * 4/1942 Bersin D6/656.11
2,789,853 A * 4/1957 Jakeway E05B 1/0038
292/336.3
3,891,228 A * 6/1975 Rhinehart B62B 3/002
211/149
3,955,511 A * 5/1976 Bak A47B 45/00
108/137
4,955,650 A * 9/1990 Davey A47J 45/10
294/12
D319,356 S * 8/1991 Vukelich, Sr. D6/405

(21) Appl. No.: **29/525,257**

(22) Filed: **Apr. 28, 2015**

(Continued)

(51) **LOC (10) Cl.** **06-06**

(52) **U.S. Cl.**

USPC **D6/705.6**

OTHER PUBLICATIONS

(58) **Field of Classification Search**

USPC D6/405, 656.11, 333, 310, 312, 708,
D6/708.22, 708.23, 512, 707.19, 663,
D6/664, 667, 671, 671.1, 671.2, 655,
D6/705.6, 657, 705, 705.4, 702, 703,
D6/703.3, 703.6, 675, 675.2, 705.1;
D34/19, 21; D7/600.1, 600.4, 704, 641;
D8/300, 301, 302, 315, 321, 382;
D26/113, 138; D32/37; D19/92

“DecoBros Metal Mesh Rolling Cart, Silver” Sep. 1, 2014, Amazon,
site visited Oct. 14, 2016 <https://www.amazon.com/DecoBros-Metal-Mesh-Rolling-Silver/dp/B008AFVLOK/ref=sr_1_16?ie=UTF8&qid=1476489519&sr=8-16&keywords=laundry+cart>.*

(Continued)

CPC A47B 9/04; A47B 17/04; A47B 67/00;
A47B 67/04; A47B 88/04; A47B 88/00;
A47B 88/0044; A47B 87/00; A47B
13/08; A47B 43/00; A47B 45/00; A47B
47/03; A47B 47/02; A47B 47/021; A47B
96/14; A47B 23/007; A47B 23/06; A47B
2097/006; A47B 21/045; A47B 57/586;
A45C 2011/002; A47F 5/0018; A47F
5/0031; A47F 5/01; F16B 7/00; F16B
7/04; F16B 7/12; F16B 12/02; F16B
12/04; E05B 1/0038; B62B 3/02; B62B

Primary Examiner — Kevin Rudzinski
Assistant Examiner — Paul Bohannon
(74) *Attorney, Agent, or Firm* — Muncy, Geissler, Olds &
Lowe, P.C.

(57) **CLAIM**

The ornamental design for a handle for shelves, as shown
and described.

DESCRIPTION

FIG. 1 is a perspective view of the present design;
FIG. 2 is a front view of the present design;
FIG. 3 is a rear view of the present design;
FIG. 4 is a left side view of the present design;
FIG. 5 is a right side view of the present design;

(Continued)

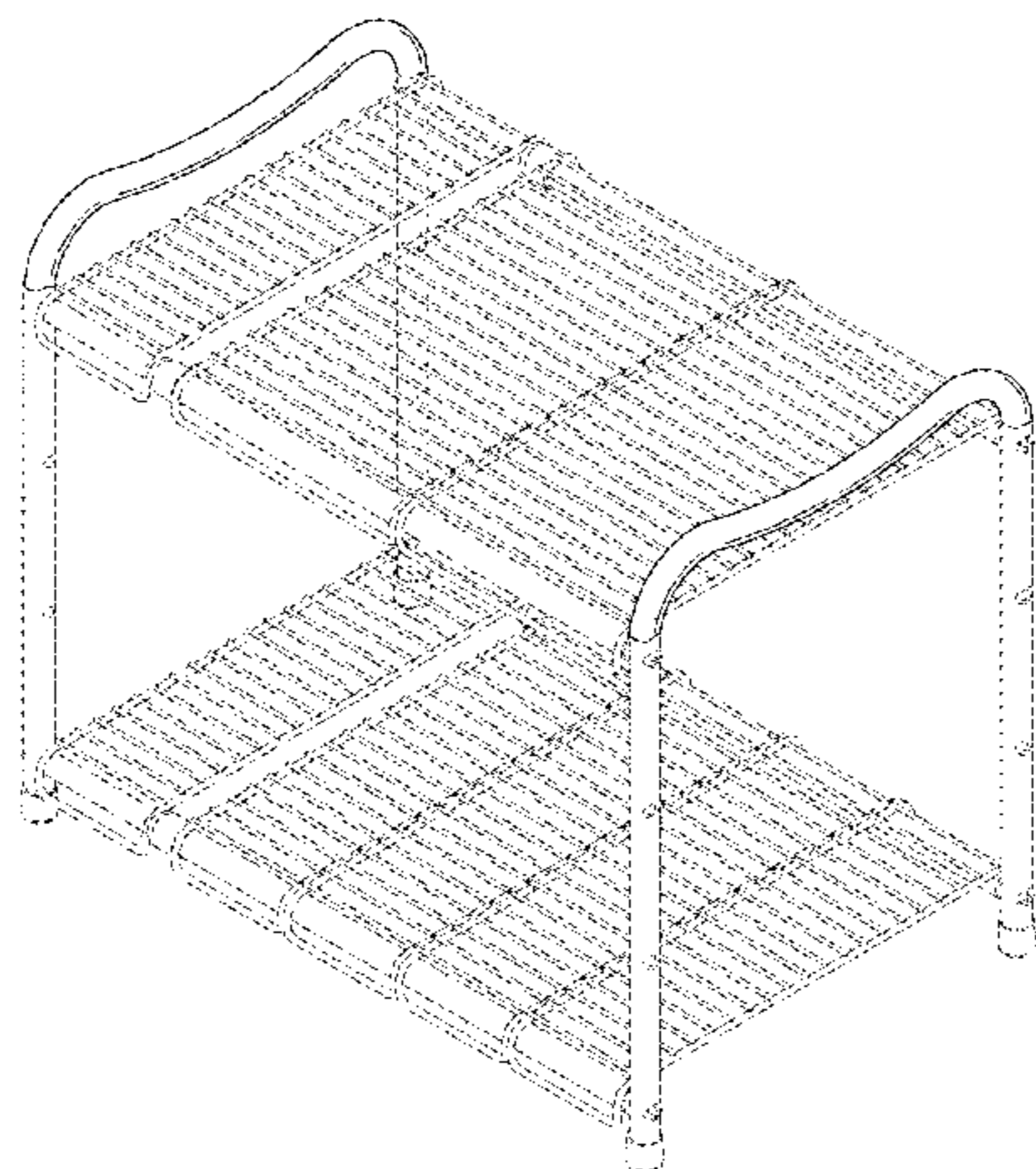


FIG. 6 is a top view of the present design; and,
FIG. 7 is a bottom view of the present design.
The broken line showing of shelves and legs is for the
purpose of illustrating portions of the article and forms no
part of the claim.

1 Claim, 6 Drawing Sheets

(56)

References Cited

U.S. PATENT DOCUMENTS

D323,101 S * 1/1992 Holscher D8/301
D340,398 S * 10/1993 Clancy D8/302
D353,288 S * 12/1994 Kain D6/333
D361,255 S * 8/1995 Crinion D8/301
D445,281 S * 7/2001 Tsong-Yow D6/657
D467,784 S * 12/2002 Maier D8/301

D583,646 S * 12/2008 Nolte D8/301
D733,984 S * 7/2015 Tsai D32/37
D734,914 S * 7/2015 Tsai D34/21
D757,177 S * 5/2016 Tsai D19/92
D760,980 S * 7/2016 Tsai D32/37
2014/0217690 A1* 8/2014 Schumaker B62B 3/005
280/47.35
2015/0076086 A1* 3/2015 Tsai B42F 7/10
211/11
2015/0230601 A1* 8/2015 Tsai A47B 57/586
211/11
2015/0291196 A1* 10/2015 Nelson B62B 3/02
280/47.371

OTHER PUBLICATIONS

“DecoBros Heavy-Duty 3-Bag Laundry Sorter Cart, Chrome” May
21, 2014, Amazon, site visited Oct. 14, 2016 <https://www.amazon.com/dp/B00HLSTYNS/ref=cm_sw_su_dp>.*

* cited by examiner

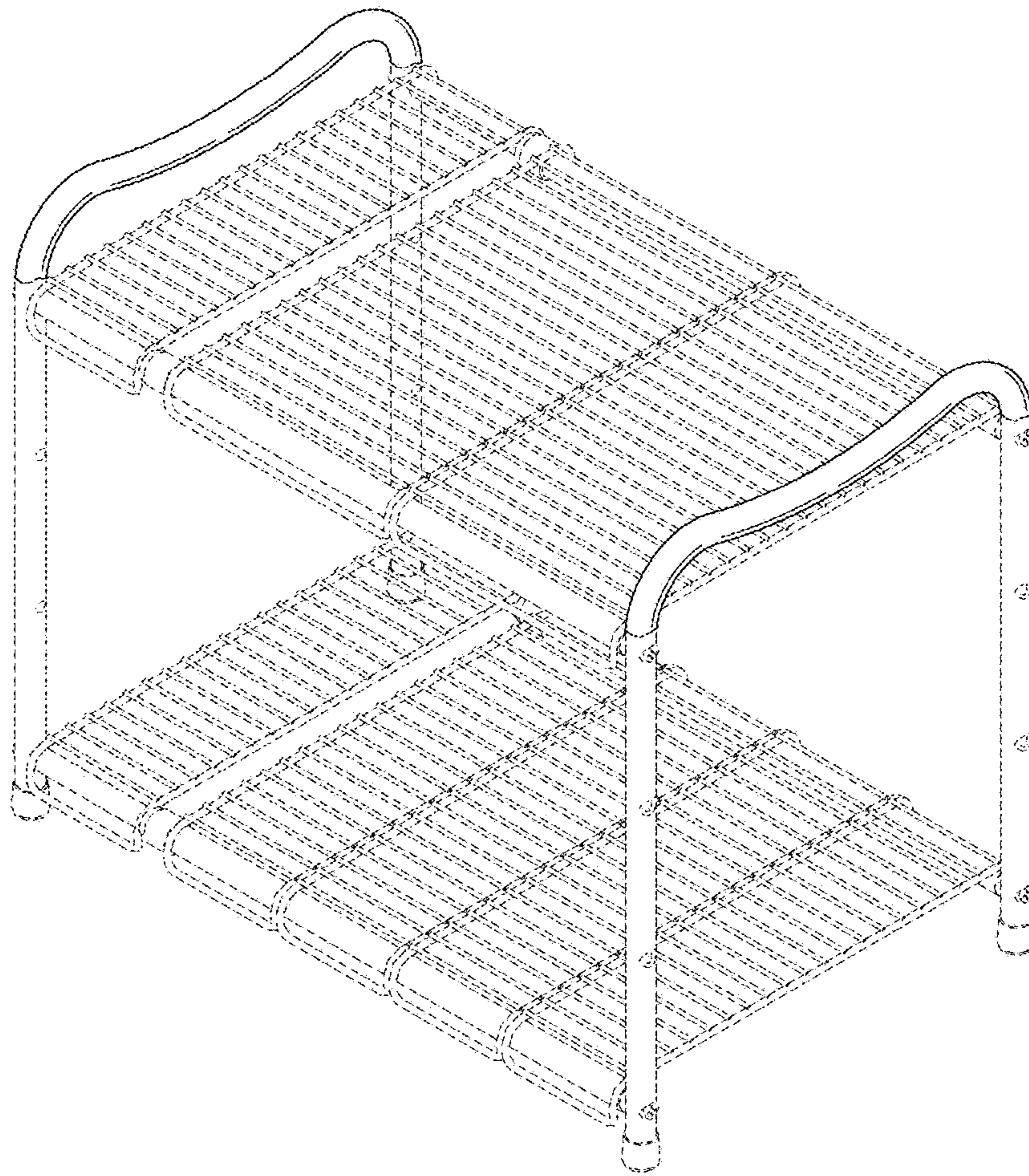


FIG. 1

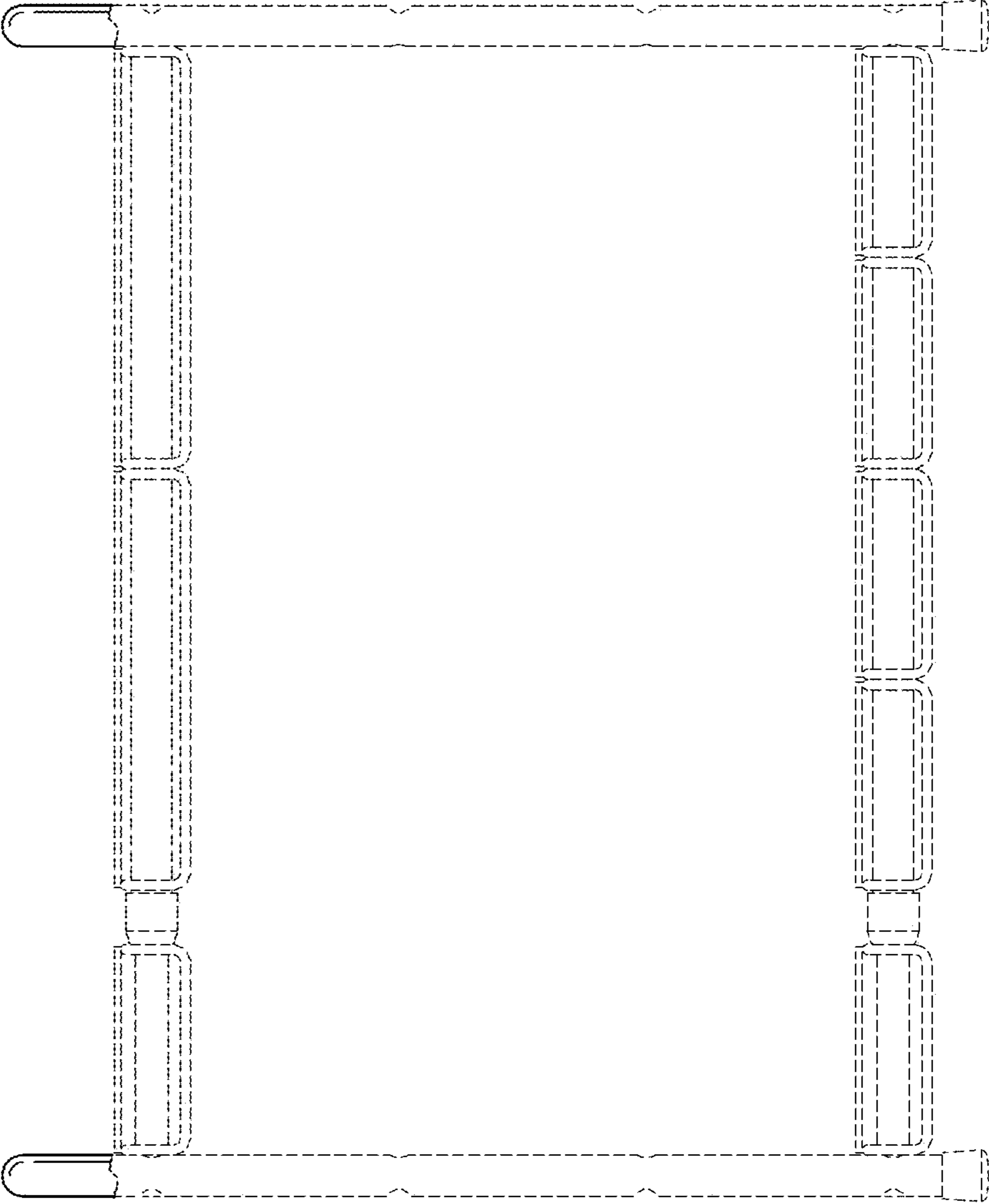


FIG. 2

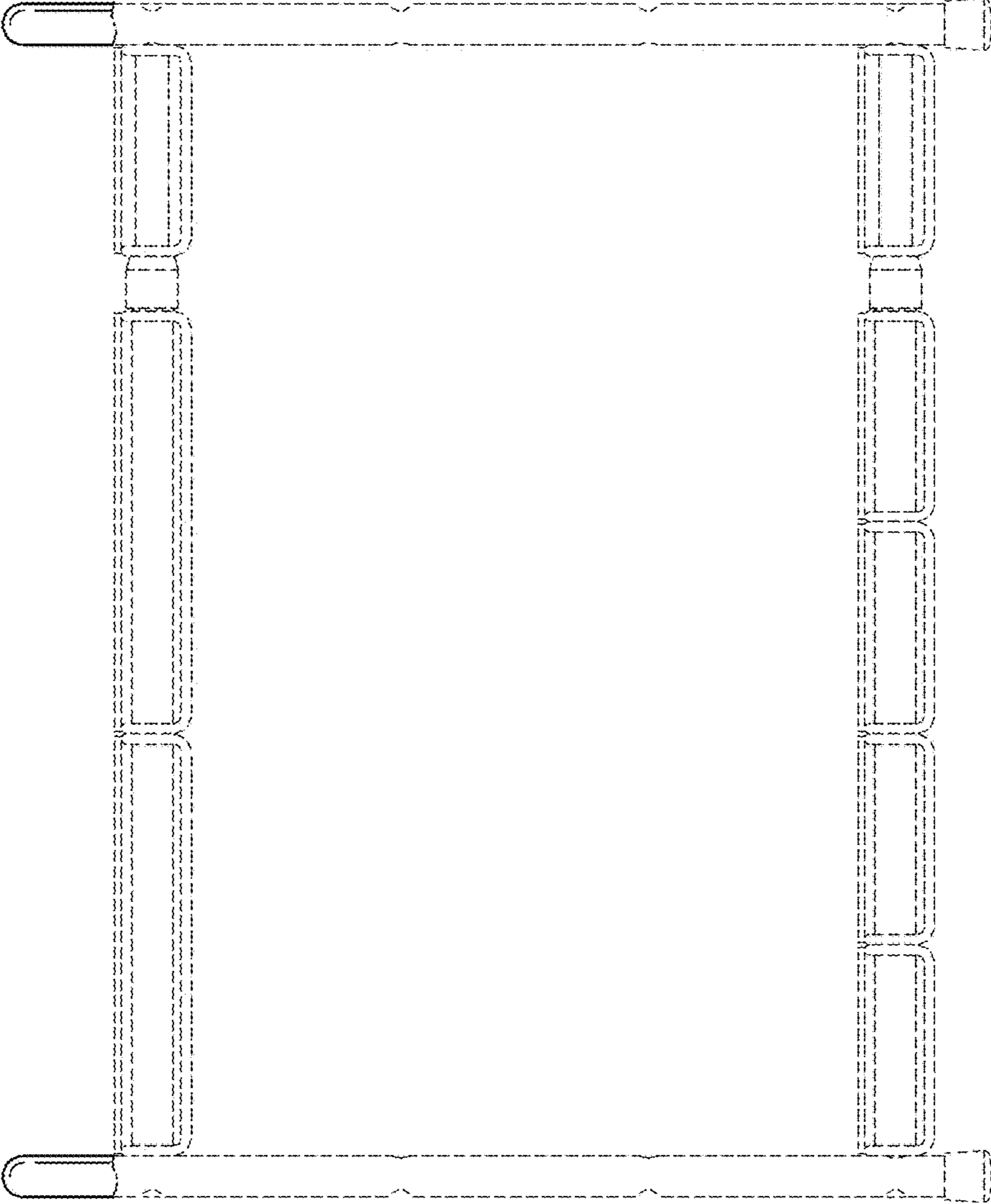


FIG. 3

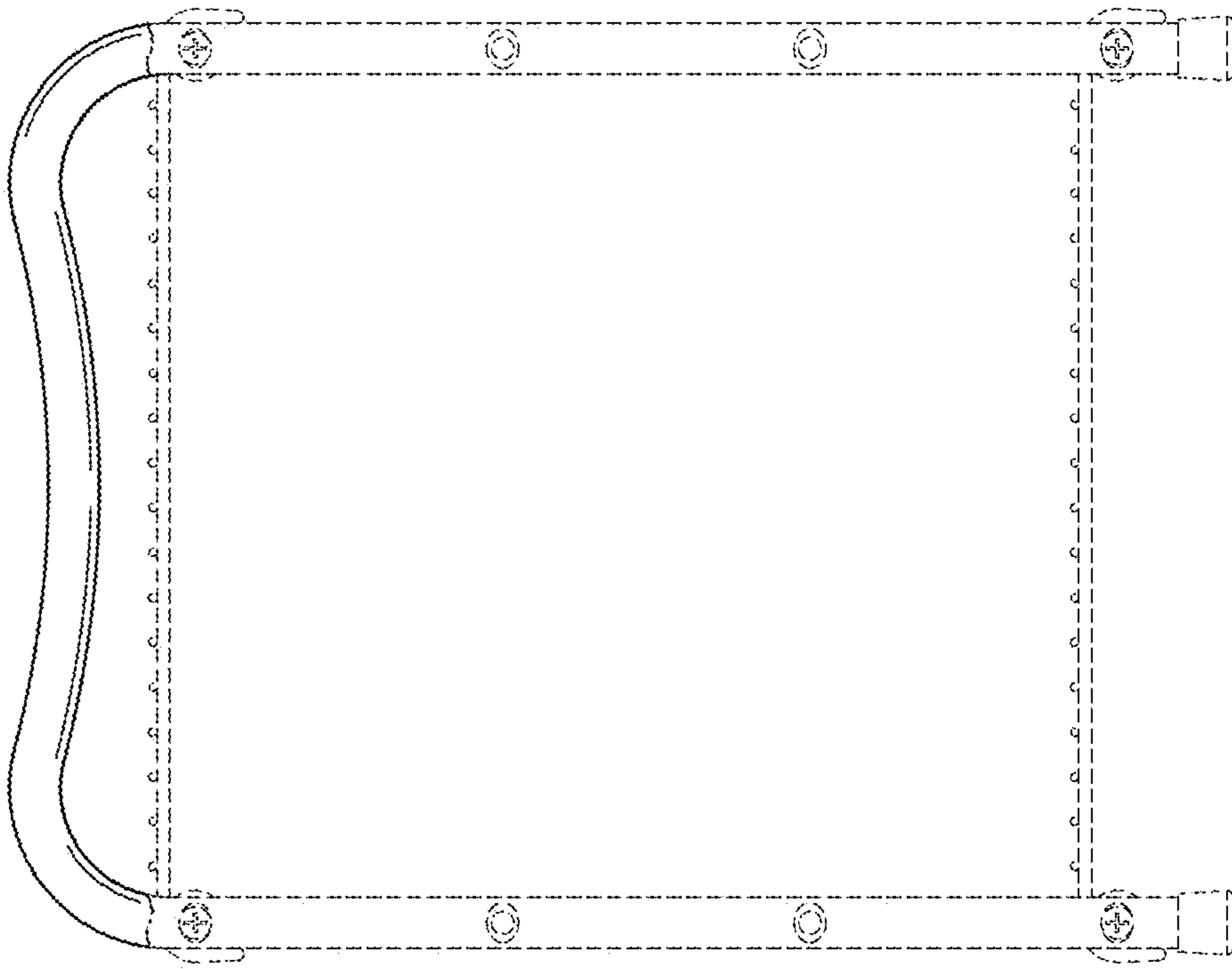


FIG. 5

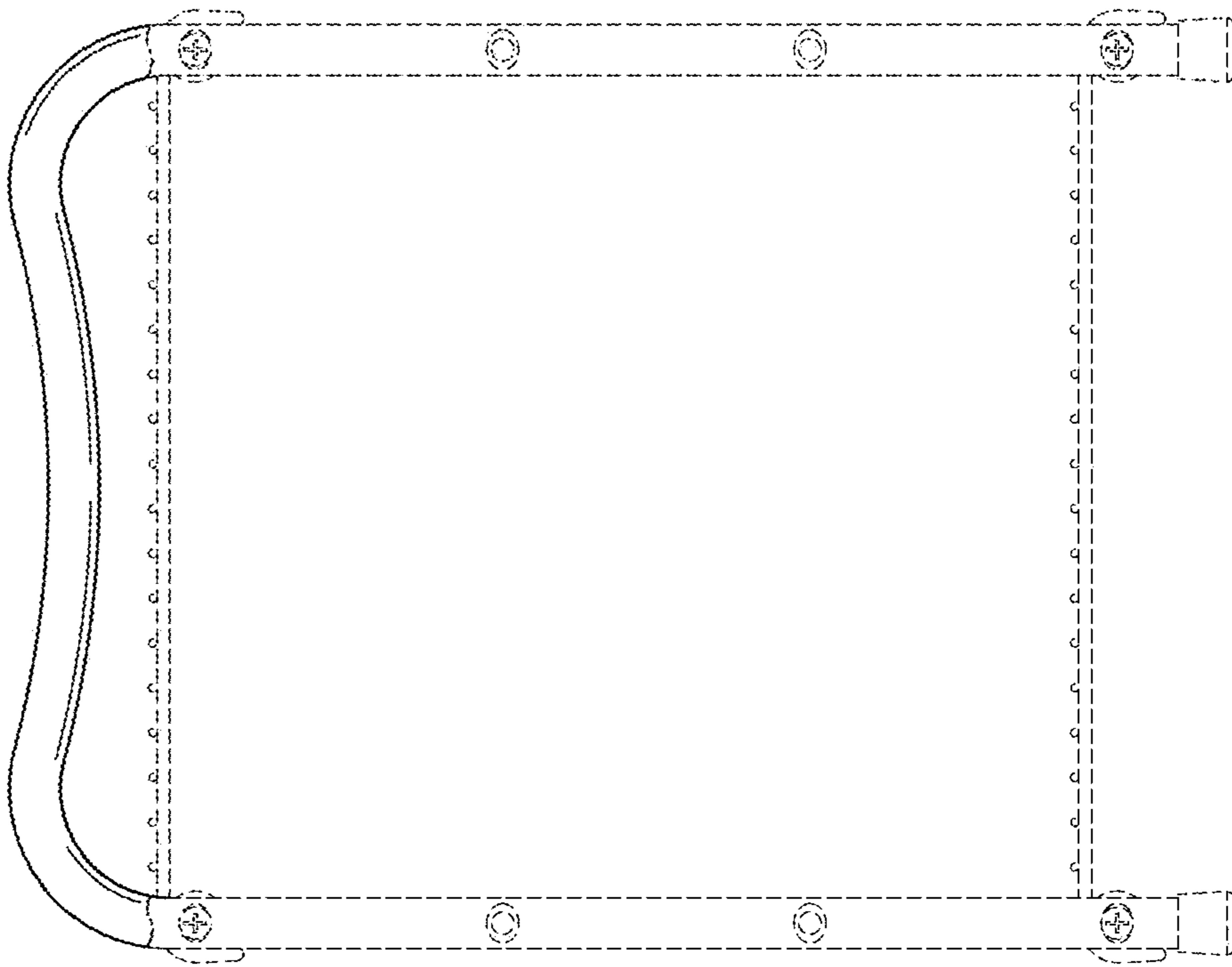


FIG. 4

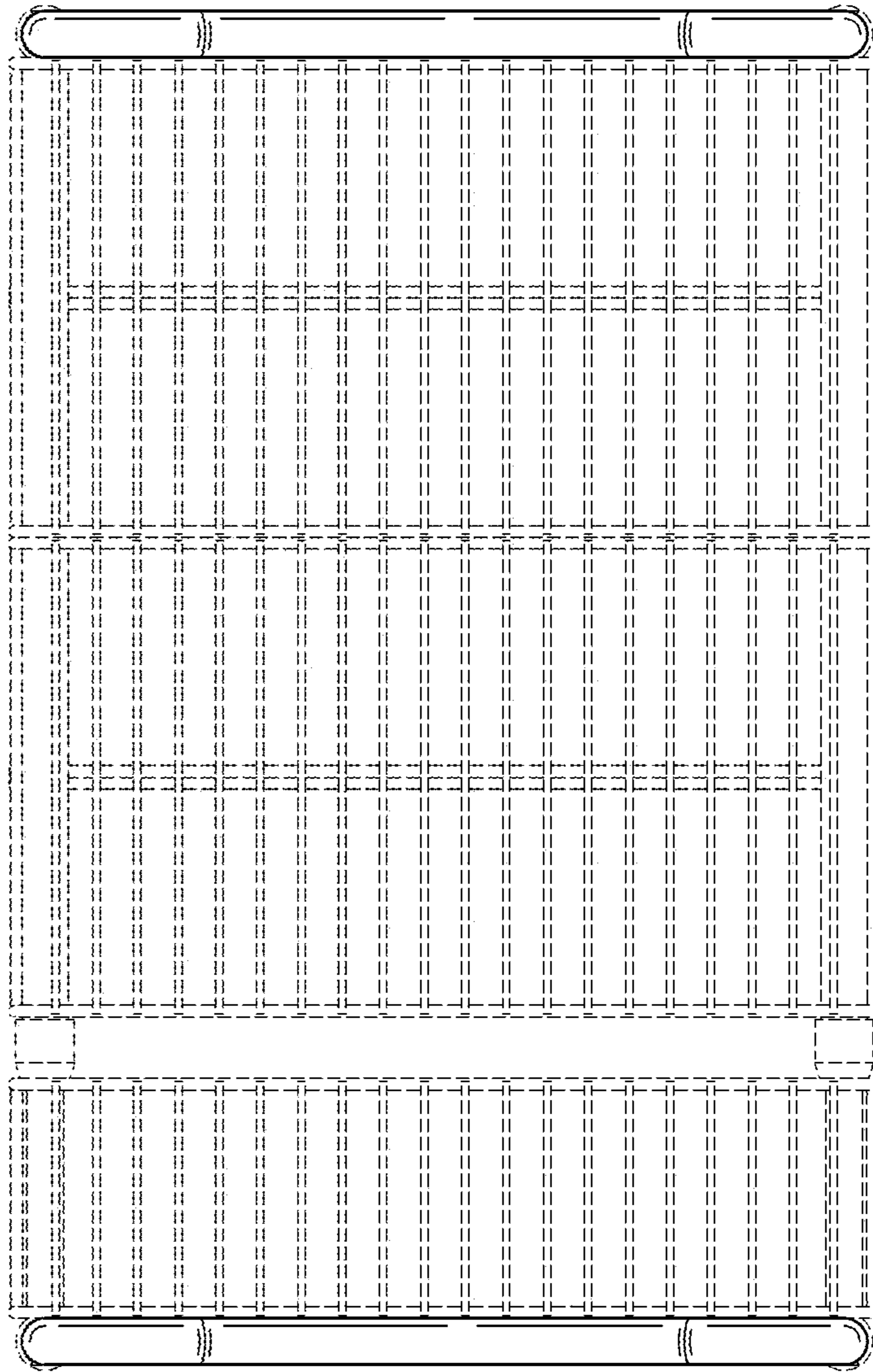


FIG. 6

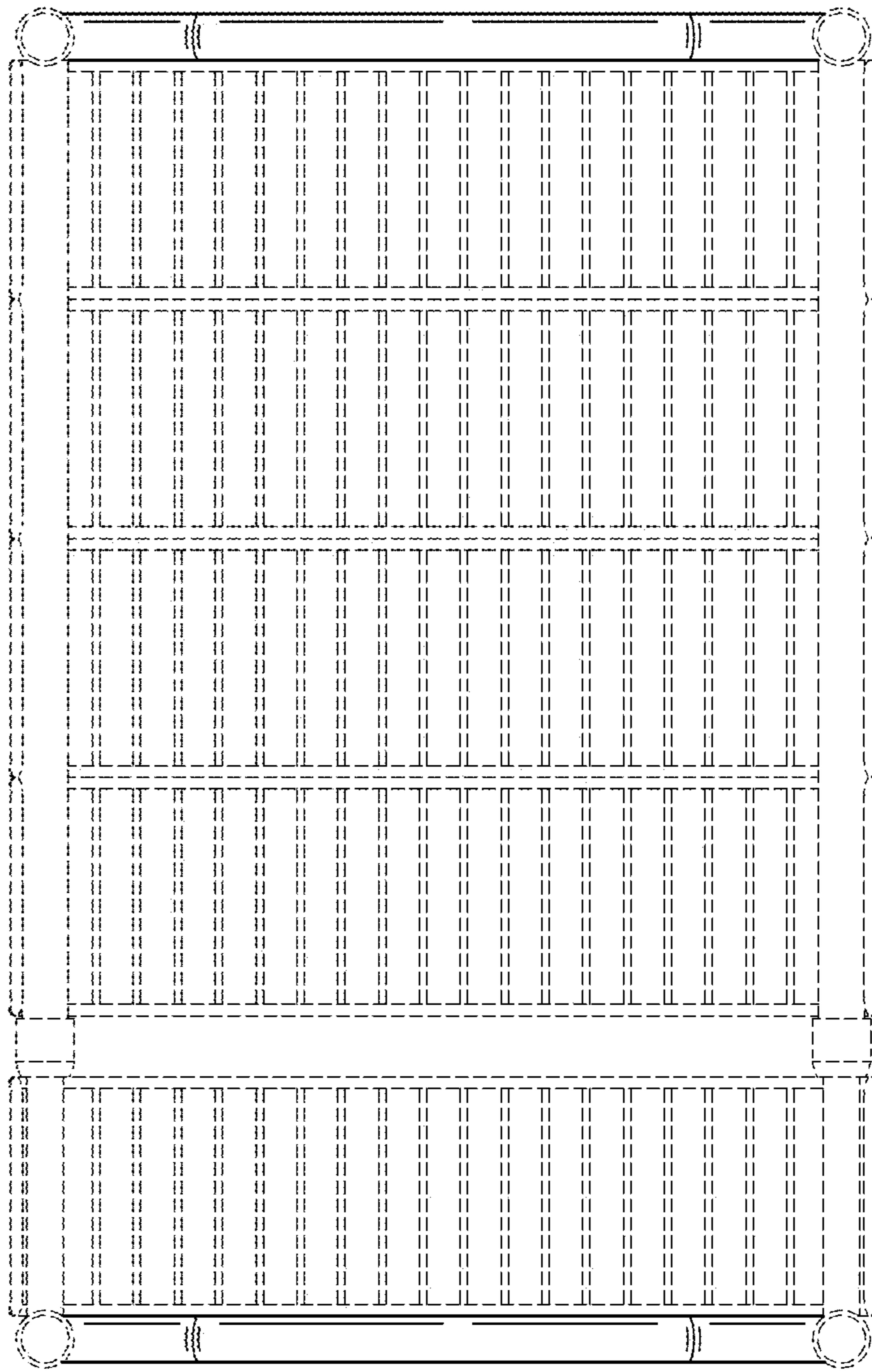


FIG. 7