



US00D785995S

(12) **United States Design Patent** (10) **Patent No.:** **US D785,995 S**
Tsai (45) **Date of Patent:** **** May 9, 2017**

(54) **EXPANDABLE SHELVES**
(71) Applicant: **Pretty Star Store LLC**, Rowland Heights, CA (US)
(72) Inventor: **Tsung-Yu Tsai**, Changhua (TW)
(73) Assignee: **PRETTY STAR STORE LLC**, Rowland Heights, CA (US)

D285,631 S * 9/1986 Pali D6/390
D291,165 S * 8/1987 Ray D6/675.2
D408,665 S * 4/1999 Von Gunten D25/69
D417,108 S * 11/1999 Von Gunten D6/705.6
D424,836 S * 5/2000 Kopala, Jr. D6/675.2
D485,092 S * 1/2004 Rosen D6/675.2
D540,568 S * 4/2007 Clucas D6/569
D587,492 S * 3/2009 Gusdorf D6/675.5
D637,427 S * 5/2011 Troyner D6/705.6

(Continued)

(**) Term: **14 Years**

OTHER PUBLICATIONS

(21) Appl. No.: **29/510,626**
(22) Filed: **Dec. 1, 2014**
(51) **LOC (10) Cl.** **06-04**
(52) **U.S. Cl.**
USPC **D6/705.6; D6/675.1; D6/675.2**
(58) **Field of Classification Search**
USPC D6/317, 319, 355, 367, 368, 514, 536,
D6/537, 546, 552, 553, 566, 567, 570,
D6/571, 574, 641, 642, 653, 672, 675,
D6/675.1, 675.2, 675.5, 681, 681.1,
D6/681.2, 687, 707.19, 717, 718.3;
D7/600.1, 600.4, 701, 704; D24/185,
D24/227, 228, 229, 234; D28/61, 73, 76;
D30/114, 116; 211/90, 134, 135, 137,
211/153, 186, 189; 108/59, 152;
312/194-196, 204, 140.1; D12/133, 406,
D12/426, 223; D9/420, 423, 510, 721,
D9/742; D3/201, 304-308, 312, 314,
D3/319; D34/5, 6, 11
CPC . A47B 87/02; A47B 87/0215; A47B 87/1223;
A47B 61/04; A47B 67/00; A47B 47/045;
A47B 47/027; A47B 47/02; A47B
47/024; A47F 7/0014; A47F 7/08; A47F
5/0018; A47F 5/01; A47F 5/0031
See application file for complete search history.

Bed Bath and Beyond [Two Tier Expandable Under-the Sink Shelf].
Announced Nov. 6, 2013 [online], site visited Feb. 2, 2016. Avail-
able from Intenet URL:[http://www.bedbathandbeyond.com/store/
product/two-tier-expandable-under-the-sink-shelf/1014997024](http://www.bedbathandbeyond.com/store/product/two-tier-expandable-under-the-sink-shelf/1014997024).*

Primary Examiner — Thomas Johannes
Assistant Examiner — Catherine Posthauer
(74) *Attorney, Agent, or Firm* — Muncy, Geissler, Olds &
Lowe, P.C.

(57) **CLAIM**

The ornamental design for an expandable shelves, as shown
and described.

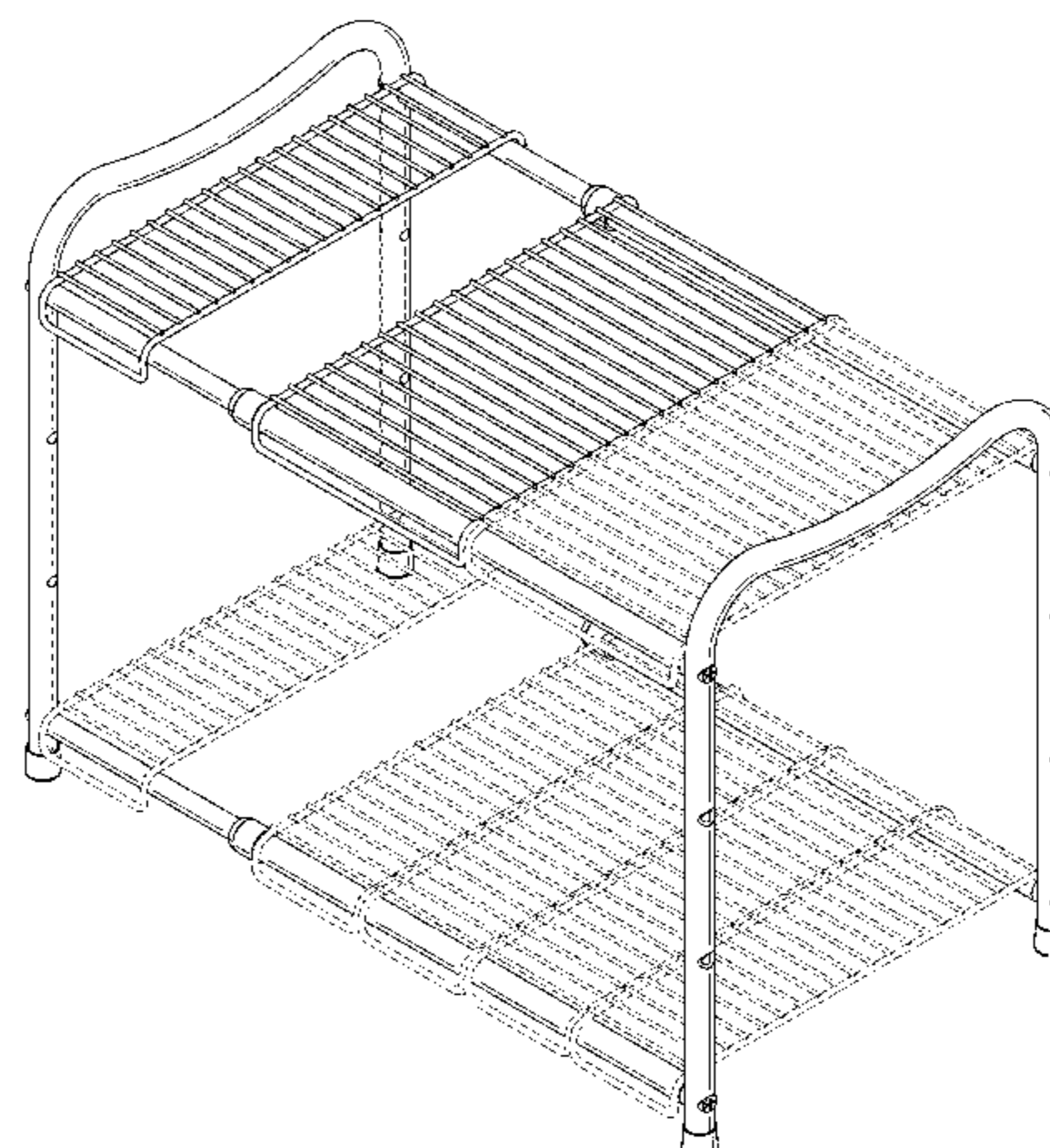
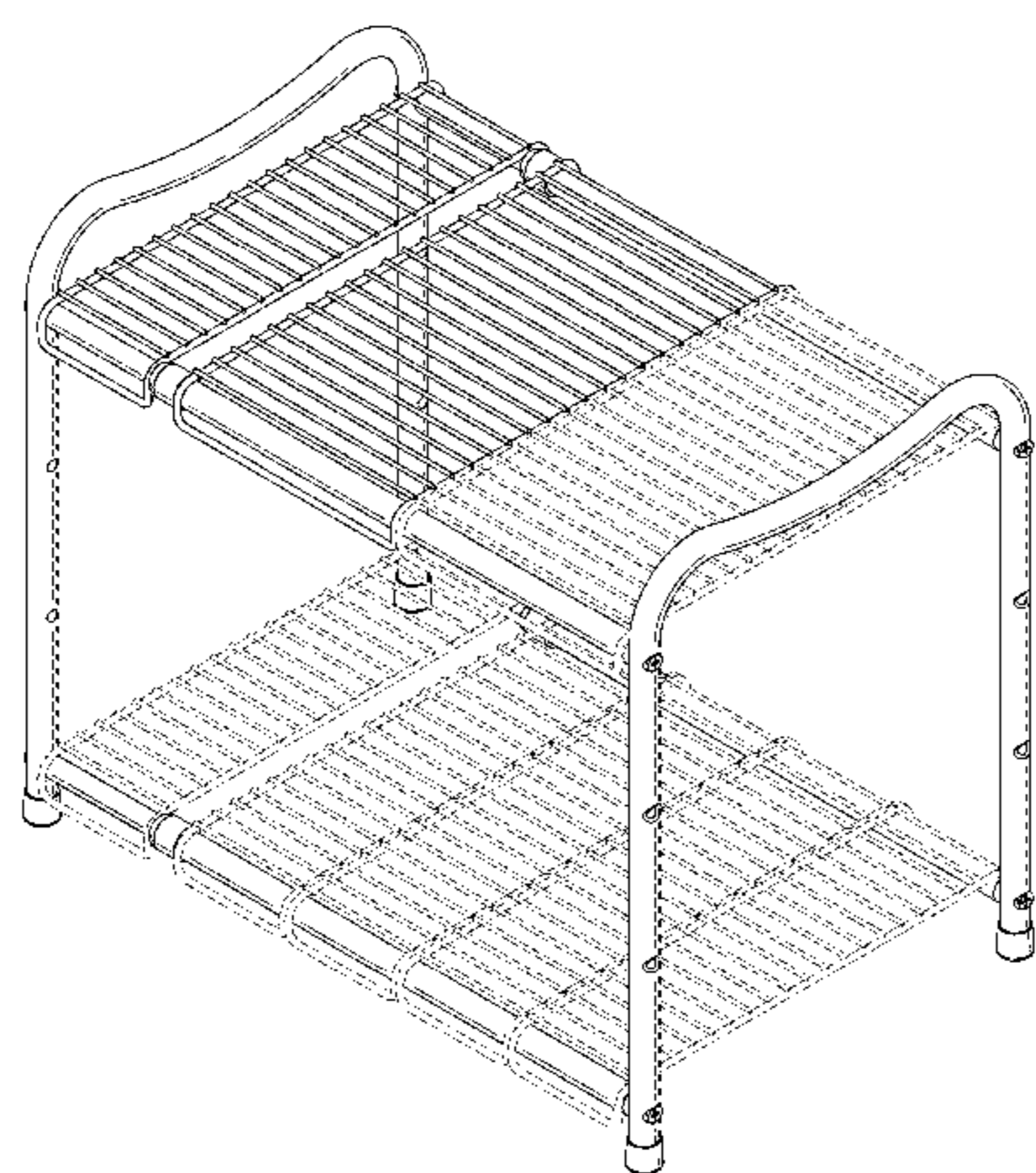
DESCRIPTION

FIG. 1 is a perspective view of the present design;
FIG. 2 is a front view of the present design;
FIG. 3 is a rear view of the present design;
FIG. 4 is a left side view of the present design;
FIG. 5 is a right side view of the present design;
FIG. 6 is a top view of the present design;
FIG. 7 is a bottom view of the present design; and,
FIG. 8 is a perspective view of FIG. 1 shown in an expanded
usage configuration.
The broken lines are shown for the purpose of illustrating
parts of the expandable shelves that form no part of the
claimed design.

(56) **References Cited**
U.S. PATENT DOCUMENTS

D255,963 S * 7/1980 Baker D6/394
D278,864 S * 5/1985 Borichevsky D6/349

1 Claim, 7 Drawing Sheets



(56)

References Cited

U.S. PATENT DOCUMENTS

D657,588	S *	4/2012	Snider	D6/705.6
D699,485	S *	2/2014	Hsu	D6/675.1
D704,482	S *	5/2014	Hsu	D6/675.1
D730,666	S *	6/2015	Goodman	D6/675.3
D732,323	S *	6/2015	Ho	D6/675
D733,984	S *	7/2015	Tsai	D32/37
D734,966	S *	7/2015	Greenspon	D6/675.2
D736,014	S *	8/2015	Tsai	D6/675.2
D746,089	S *	12/2015	Hsu	D6/683
D747,837	S *	1/2016	Chang	D34/21
2008/0203042	A1 *	8/2008	Felsenthal	A47B 47/027 211/153
2009/0272706	A1 *	11/2009	Gusdorf	A47B 55/02 211/153
2011/0253658	A1 *	10/2011	Jarvis	A47B 47/045 211/134
2015/0014263	A1 *	1/2015	Lo	A47F 5/01 211/182
2015/0096953	A1 *	4/2015	Lai	A47B 47/024 211/186

* cited by examiner

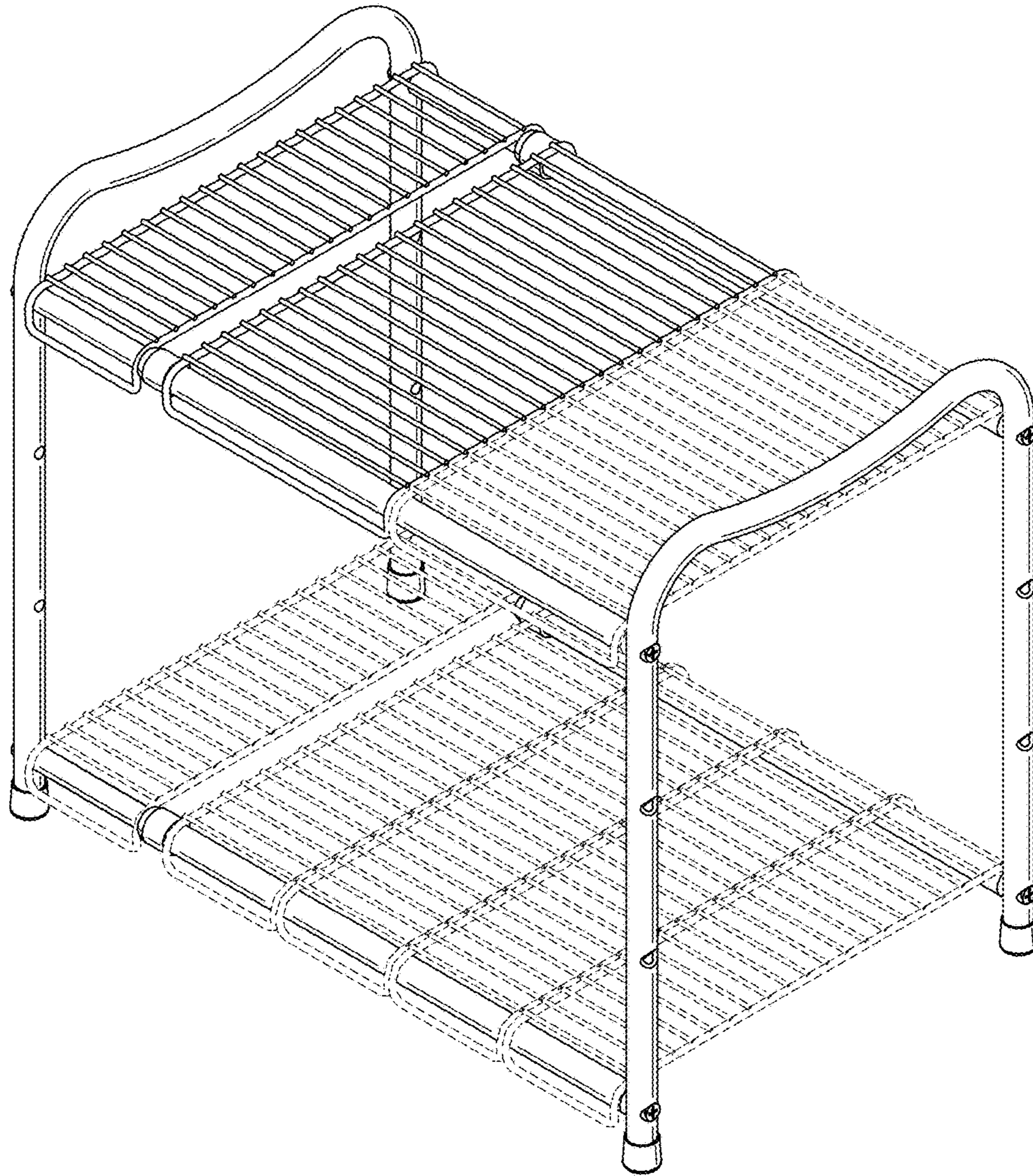


FIG. 1

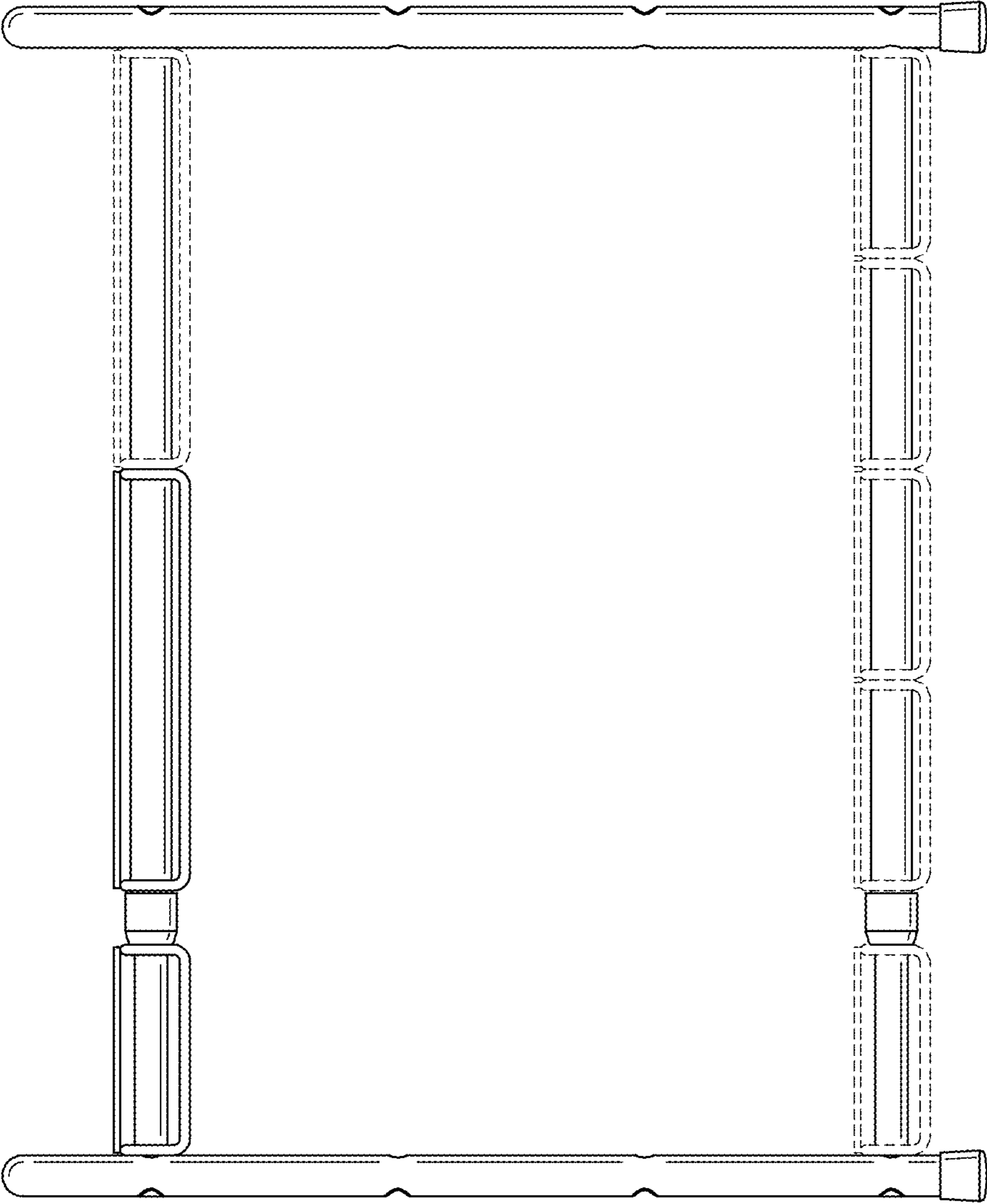


FIG. 2

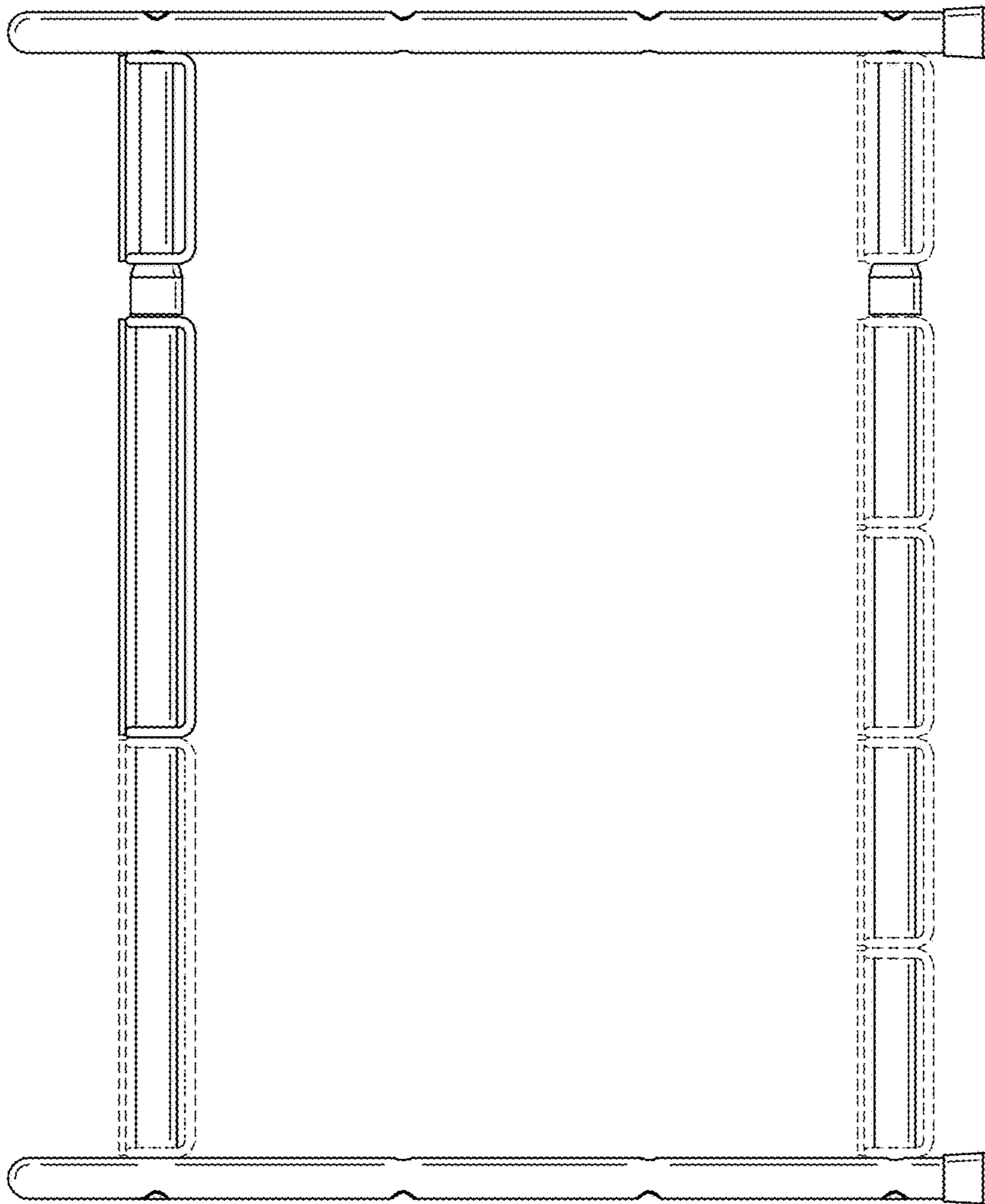


FIG. 3

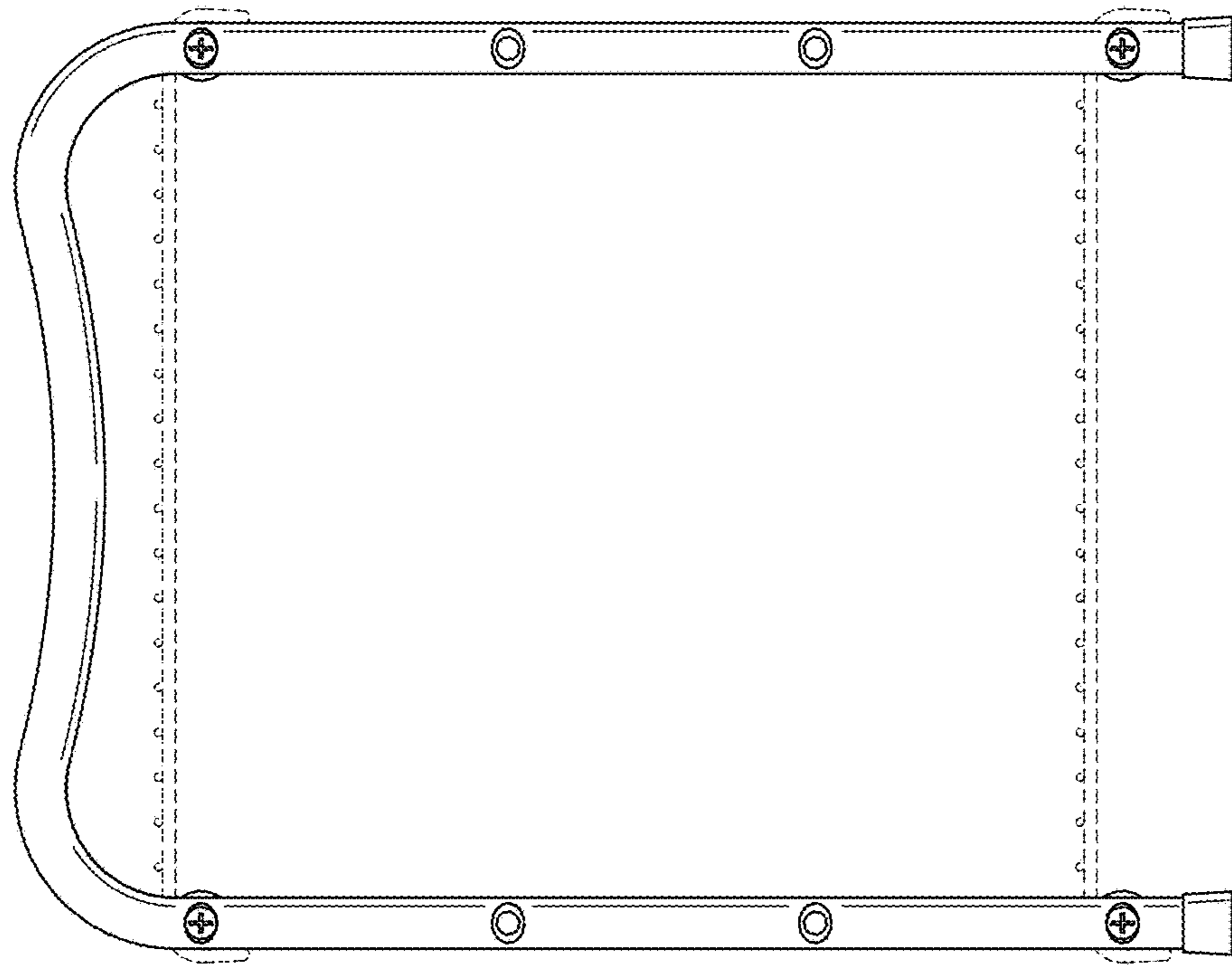


FIG. 5

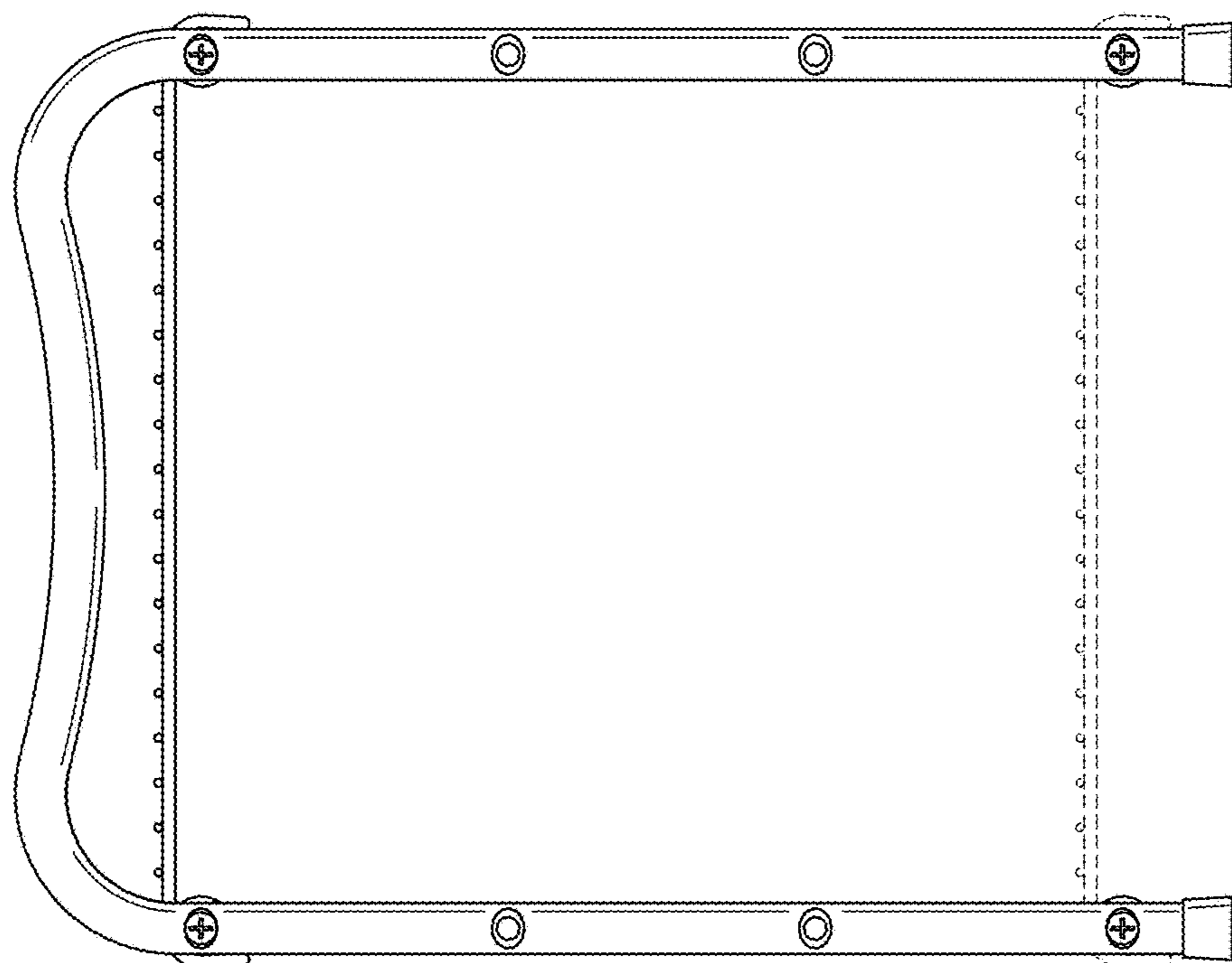


FIG. 4

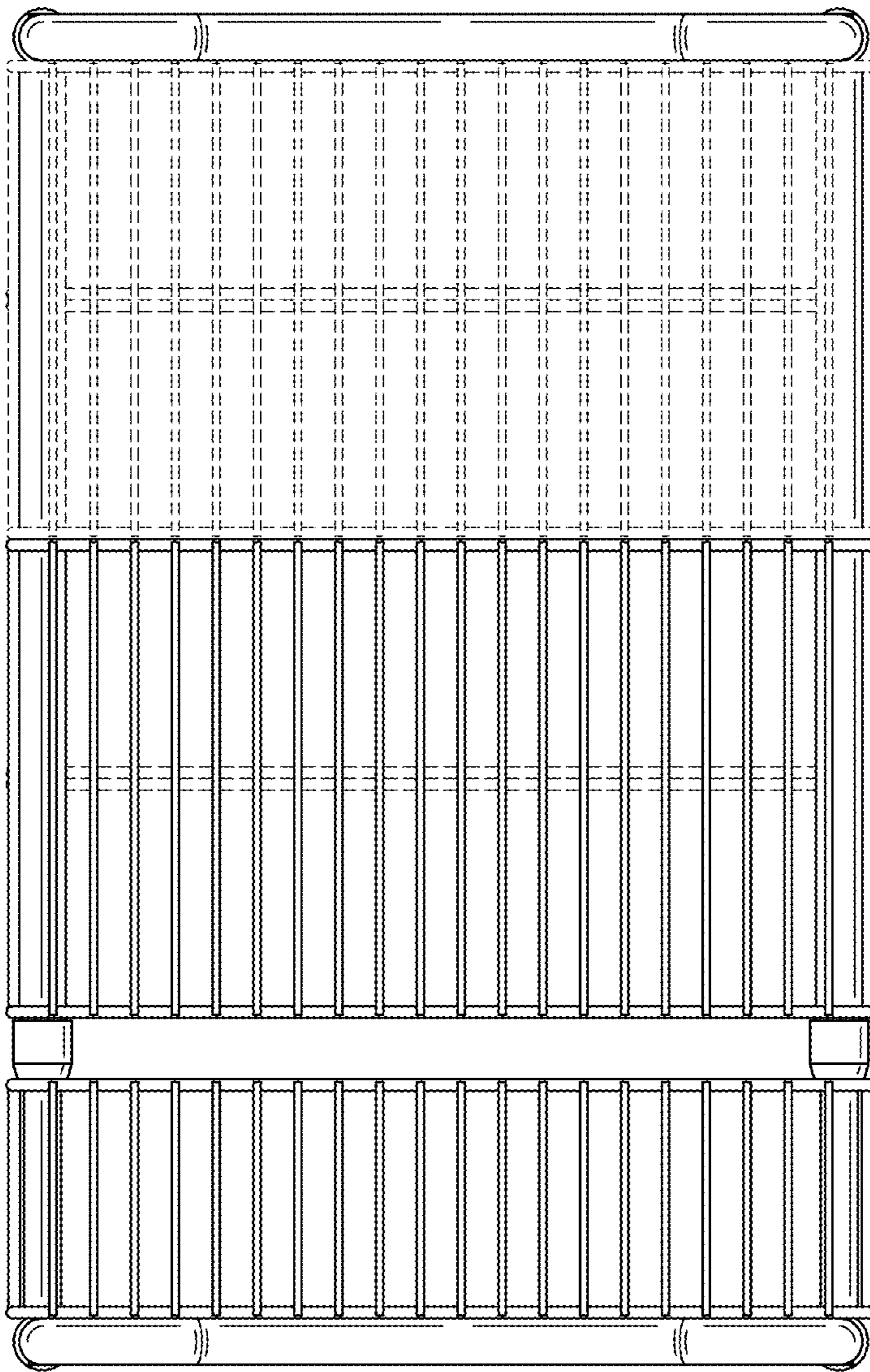


FIG. 6

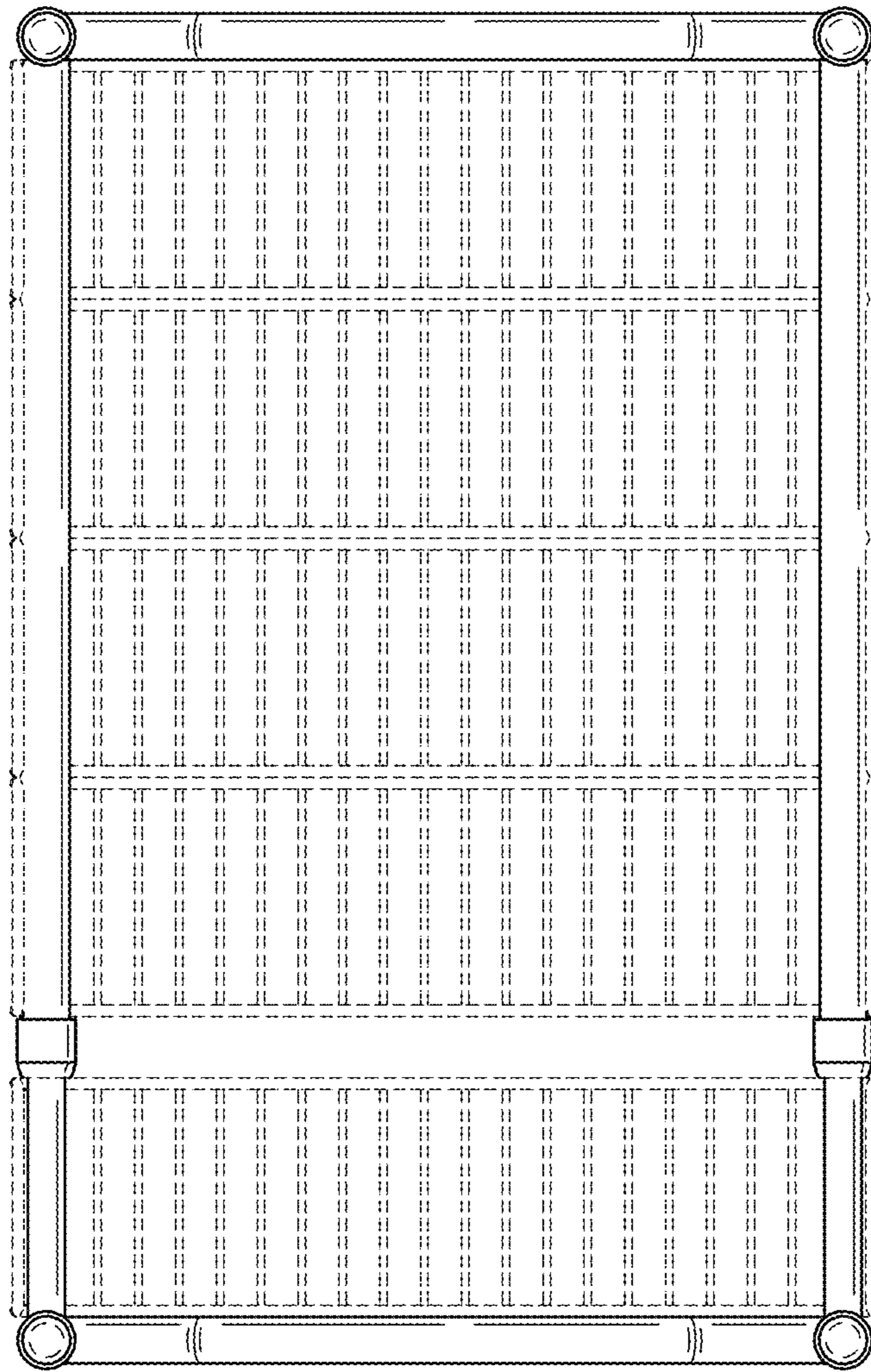


FIG. 7

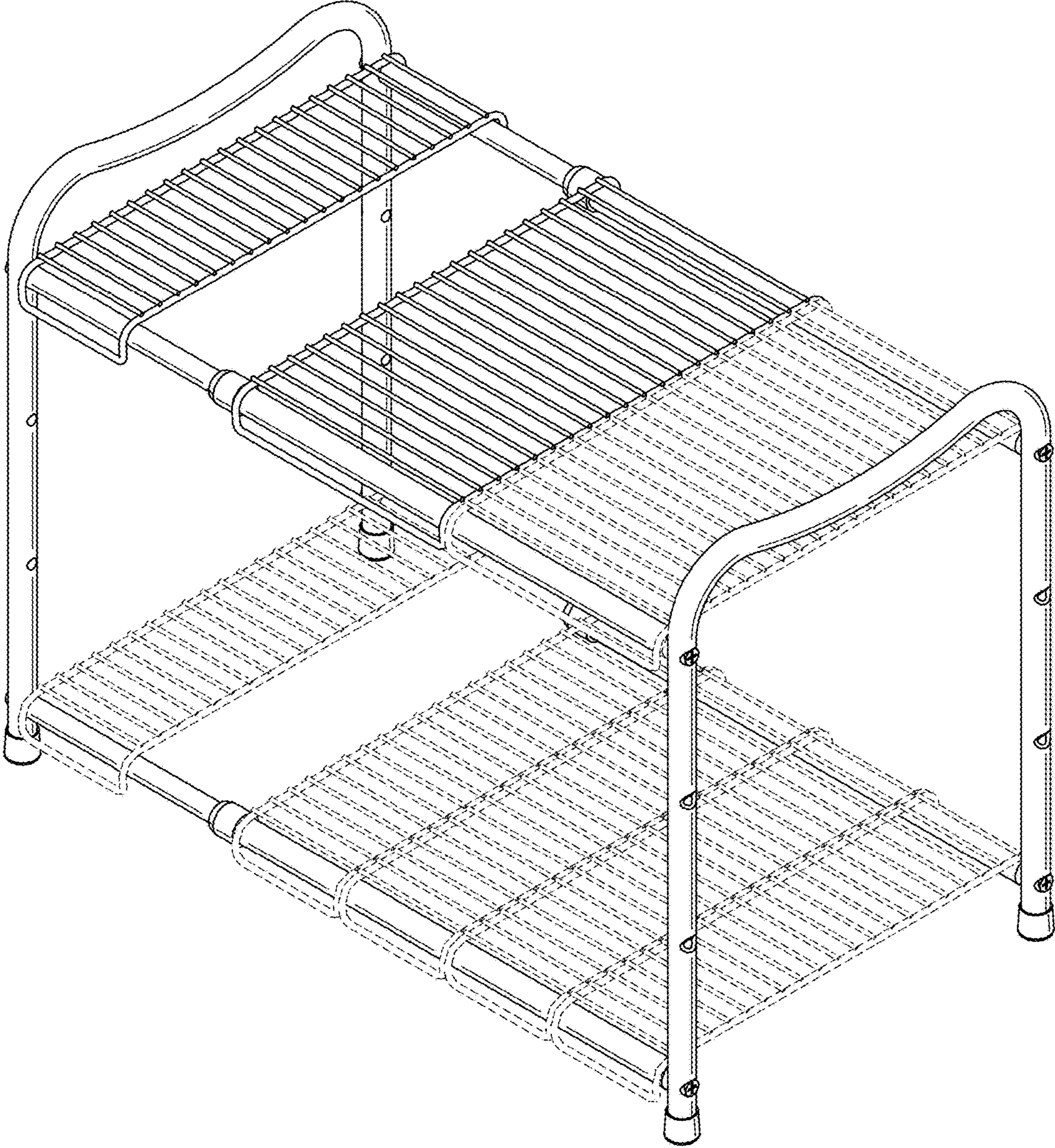


FIG. 8