



US00D785993S

(12) **United States Design Patent** (10) **Patent No.:** **US D785,993 S**
Price et al. (45) **Date of Patent:** **** May 9, 2017**

(54) **PREP CENTER CABINET**

(71) Applicant: **Mortarless Technologies LLC**,
Rochester, MN (US)

(72) Inventors: **Brian A. Price**, Rochester, MN (US);
Drew Wohlfiel, Mantorville, MN (US)

(73) Assignee: **Mortarless Technologies LLC**,
Rochester, MN (US)

(**) Term: **15 Years**

(21) Appl. No.: **29/552,853**

(22) Filed: **Jan. 26, 2016**

(51) **LOC (10) Cl.** **06-03**

(52) **U.S. Cl.**
USPC **D6/699.2**

(58) **Field of Classification Search**
USPC D6/671, 677, 687, 690, 691, 691.1,
D6/691.2, 691.3, 691.4, 691.5, 693, 689,
D6/691.9, 695, 695.2, 698, 699, 699.2,
D6/703; D23/284, 286, 287, 345
CPC A47B 55/04; A47B 7/00; A47B 13/08;
A47B 13/10; A47B 21/00; A47B
2009/006; A47B 11/00

See application file for complete search history.

(56) **References Cited**

U.S. PATENT DOCUMENTS

2,728,334 A * 12/1955 Paoletta A47J 37/0759
126/25 R
3,557,770 A * 1/1971 Szentkuti A47J 37/0759
126/25 R

(Continued)

OTHER PUBLICATIONS

The Dearborn Family Wood Fired Brick Pizza Oven in Iowa
[online]. The BrickWood Ovens Forum, Posted Aug. 21, 2014

[retrieved on Jan. 30, 2017]. Retrieved from the Internet:<<http://forum.brickwoodovens.com/post/the-dearborn-family-wood-fired-brick-pizza-oven-in-iowa-7047309>>.*

(Continued)

Primary Examiner — Mary Ann Calabrese

Assistant Examiner — Sloan Rozin

(74) *Attorney, Agent, or Firm* — Fish & Richardson P.C.

(57) **CLAIM**

The ornamental design for a prep center cabinet, as shown and described.

DESCRIPTION

FIG. 1 is a perspective view of a prep center cabinet according to a first embodiment.

FIG. 2 is a front view of the prep center cabinet of FIG. 1.

FIG. 3 is a back view of the prep center cabinet of FIG. 1.

FIG. 4 is a left side view of the prep center cabinet of FIG. 1.

FIG. 5 is a right side view of the prep center cabinet of FIG. 1.

FIG. 6 is a top view of the prep center cabinet of FIG. 1.

FIG. 7 is a bottom view of the prep center cabinet of FIG. 1.

FIG. 8 is a back of a prep center cabinet having an opening in a back side according to a second embodiment, the front, left, right, top and bottom views identical to the first embodiment.

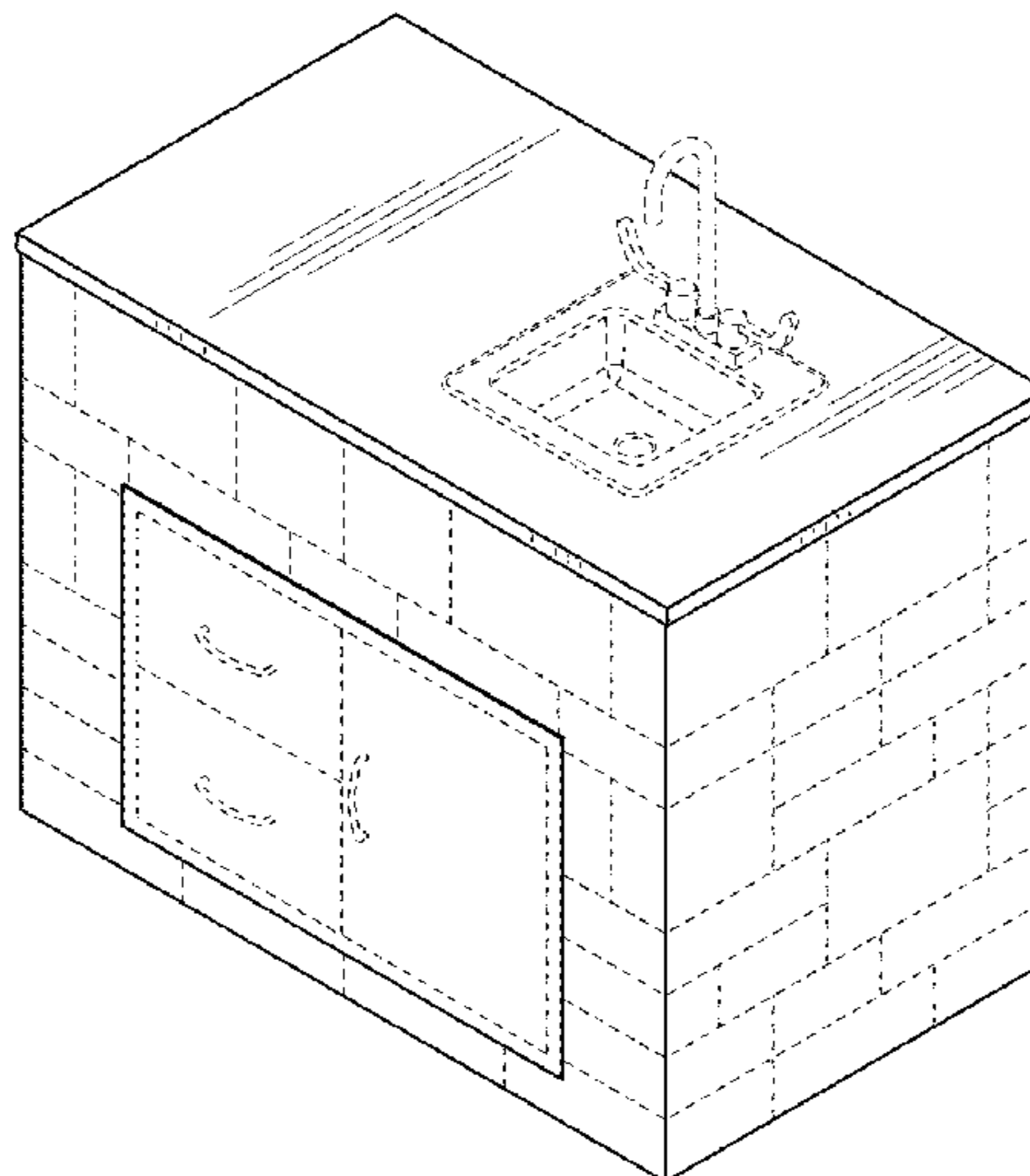
FIG. 9 is a back view of the prep center cabinet of FIG. 8.

FIG. 10 is an illustration of the prep center cabinet of FIG. 1 as part of an exemplary outdoor kitchen; and,

FIG. 11 is an illustration of the prep center cabinet of FIG. 1 as part of an exemplary outdoor kitchen.

The broken line showing of additional structures is for the purpose of illustrating environment and forms no part of the claimed design. The broken line showing of elements on the prep center cabinet illustrate portions of the article and form no part of the claimed design.

1 Claim, 8 Drawing Sheets



(56)

References Cited

U.S. PATENT DOCUMENTS

3,561,420	A *	2/1971	Paoella	A47J 37/0759 126/25 R
D231,967	S *	7/1974	Webb	D6/691.5
D242,006	S *	10/1976	Faber	D6/691
D244,113	S *	4/1977	Friedman	D6/691.9
D304,396	S *	11/1989	Pitchersky	D6/688.27
D347,952	S *	6/1994	Brownfield, Jr.	D6/691.5
D464,330	S *	10/2002	Zarker, Jr.	D23/286
D513,796	S *	1/2006	Borowske	D23/343
D553,879	S *	10/2007	Juneau	D6/671
D647,332	S *	10/2011	Pederson	D6/699
D647,334	S *	10/2011	Ernst	D6/691.4
D653,878	S *	2/2012	Ernst	D6/699
D654,290	S *	2/2012	Ernst	D6/691.5
D696,759	S *	12/2013	Ernst	D23/345
D706,066	S *	6/2014	Ernst	D6/699
D751,324	S *	3/2016	Baylar	D6/688
D769,032	S *	10/2016	Burden	D6/671

OTHER PUBLICATIONS

AB Courtyard Collection, "Build a Free-Standing Bar," How-to sheet #330, copyright 2007, 2 pages.
 AB Courtyard Collection, "Build an Outdoor Kitchen," How-to sheet #340, copyright 2008, 2 pages.
 AB Courtyard Collection, "Building a BBQ Grilling Station," How-to sheet #290, copyright 2003-2005, 2 pages.
 AB Courtyard Collection, "Building an Outdoor Kitchen," How-to-sheet #341, copyright 2009, 5 pages.
 Allan Block, Top 12 Outdoor Weekend Project Ideas, retrieved from the Internet: <URL: <http://www.allanblock.com/projects/weekend-projects.aspx>>, 2 pages, archived on Dec. 11, 2013.
 Anchor Block Products, "Outdoor Living Kits," retrieved from the Internet <URL: <http://anchorblock.com/products/Fire-pits-and-fire-places/default.aspx>>, 15 pages, archived Oct. 16, 2015.
 Anchor, "2015 Landscape Collection," copyright 2015, 60 pages.
 Anchor, "Do-It-Yourself Landscape Ideas," Jan. 2014, 20 pages.
 Anchor, "Easy Weekend Project Ideas," 2015, 24 pages.
 Keystone Hardscapes, Country Manor 2-pc Grill Station Kit, 2013, 14 pages.
 Keystone Hardscapes, Country Manor 2-pc Kitchen Linear Kit, 2015, 18 pages.
 Keystone Hardscapes, Country Manor 3-pc Grill Station1 Kit, 2015, 18 pages.

Keystone Hardscapes, Country Manor 3-pc Grill Station2 Kit, 2012, 6 pages.
 Keystone Hardscapes, Country Manor 3-pc Kitchen Linear Kit, 2015, 18 pages.
 Keystone Hardscapes, Country Manor 3-pc Kitchen L-shape Kit, 2015, 16 pages.
 Versa-Lok, Residential Idea Book, retrieved from the Internet: <URL: <http://www.versa-lok.com/idea-book/residential>>, 14 pages, archived Oct. 12, 2015.
 Willow Creek Landscape Kits for Outdoor Living, retrieved from the Internet: <URL: <http://www.willowcreekpavingstones.com/willow-creek-outdoor-kits>>, 5 pages, archived Feb. 22, 2015.
 WillowCreek, "Ledgestone Bar and Grill Kit," retrieved from the Internet: <URL: <http://www.willowcreekpavingstones.com/sites/default/files/docs/pdf/BarGrill2013 Print.pdf>>, 2013, 1 page.
 WillowCreek, "Ledgestone Grill Kit," retrieved from the Internet: <<https://www.patiotown.com/sites/default/files/files/Grill%20Kits%202013.pdf>>, 2013, 1 page.
 WillowCreek, "Outdoor Fireplace Kit," 2012, 1 page.
 U.S. Appl. No. 29/552,756, filed Jan. 26, 2016, Price et al.
 U.S. Appl. No. 29/552,752, filed Jan. 26, 2016, Price et al.
 U.S. Appl. No. 29/552,769, filed Jan. 26, 2016, Price et al.
 U.S. Appl. No. 29/552,760, filed Jan. 26, 2016, Price et al.
 U.S. Appl. No. 29/552,784, filed Jan. 26, 2016, Price et al.
 U.S. Appl. No. 29/552,763, filed Jan. 26, 2016, Price et al.
 U.S. Appl. No. 29/552,766, filed Jan. 26, 2016, Price et al.
 U.S. Appl. No. 29/552,778, filed Jan. 26, 2016, Price et al.
 U.S. Appl. No. 29/552,773, filed Jan. 26, 2016, Price et al.
 U.S. Appl. No. 29/552,786, filed Jan. 26, 2016, Price et al.
 U.S. Appl. No. 29/552,776, filed Jan. 26, 2016, Price et al.
 U.S. Appl. No. 29/552,782, filed Jan. 26, 2016, Price et al.
 U.S. Appl. No. 29/552,780, filed Jan. 26, 2016, Price et al.
 U.S. Appl. No. 29/552,789, filed Jan. 26, 2016, Price et al.
 U.S. Appl. No. 29/552,794, filed Jan. 26, 2016, Price et al.
 U.S. Appl. No. 29/552,795, filed Jan. 26, 2016, Price et al.
 U.S. Appl. No. 29/552,805, filed Jan. 26, 2016, Price et al.
 U.S. Appl. No. 29/552,809, filed Jan. 26, 2016, Price et al.
 U.S. Appl. No. 29/552,802, filed Jan. 26, 2016, Price et al.
 U.S. Appl. No. 29/552,817, filed Jan. 26, 2016, Price et al.
 U.S. Appl. No. 29/552,806, filed Jan. 26, 2016, Price et al.
 U.S. Appl. No. 29/552,813, filed Jan. 26, 2016, Price et al.
 U.S. Appl. No. 29/552,845, filed Jan. 26, 2016, Price et al.
 U.S. Appl. No. 29/552,846, filed Jan. 26, 2016, Price et al.
 U.S. Appl. No. 29/552,858, filed Jan. 26, 2016, Price et al.
 U.S. Appl. No. 29/552,849, filed Jan. 26, 2016, Price et al.

* cited by examiner

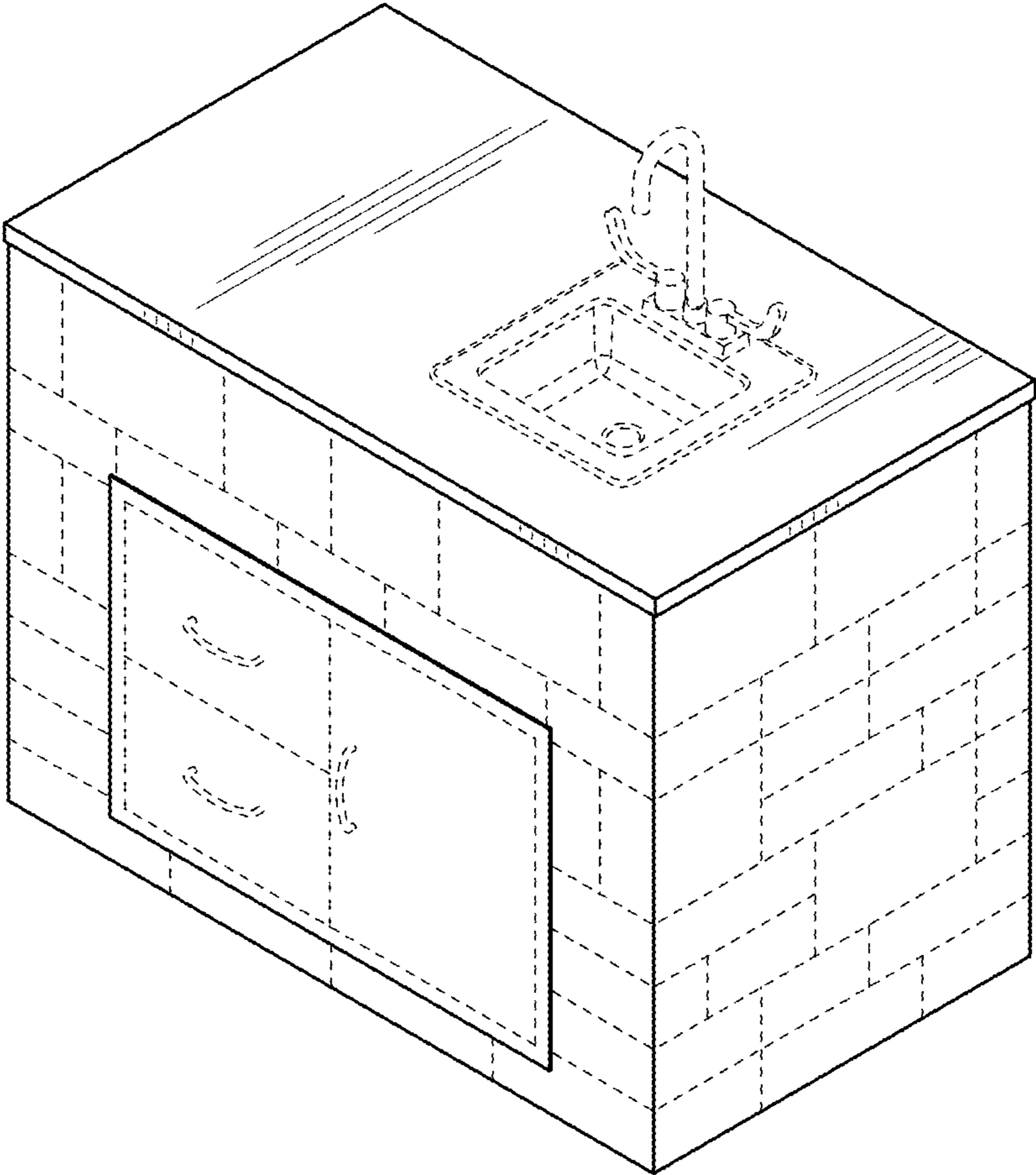


FIG. 1

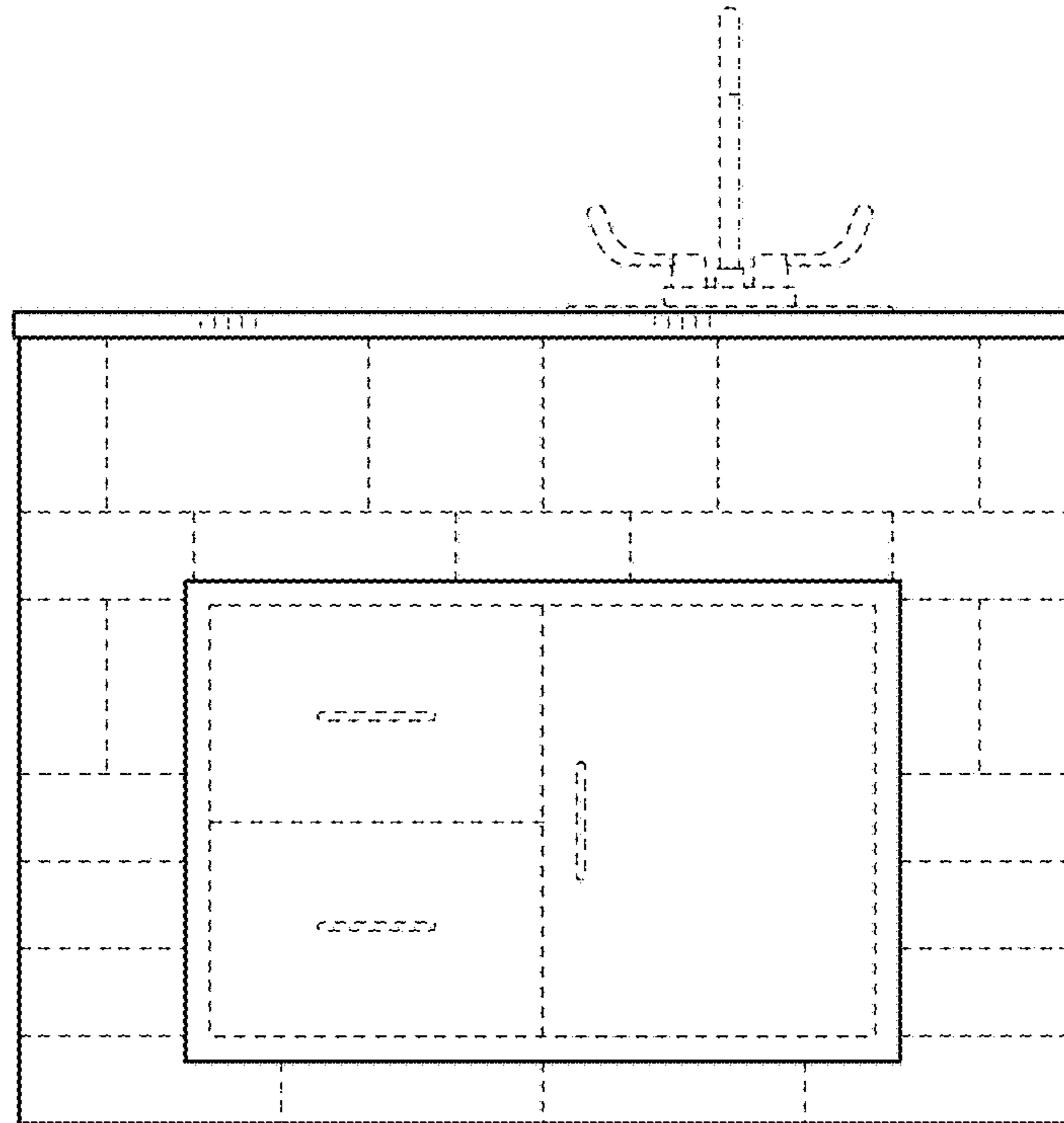


FIG. 2

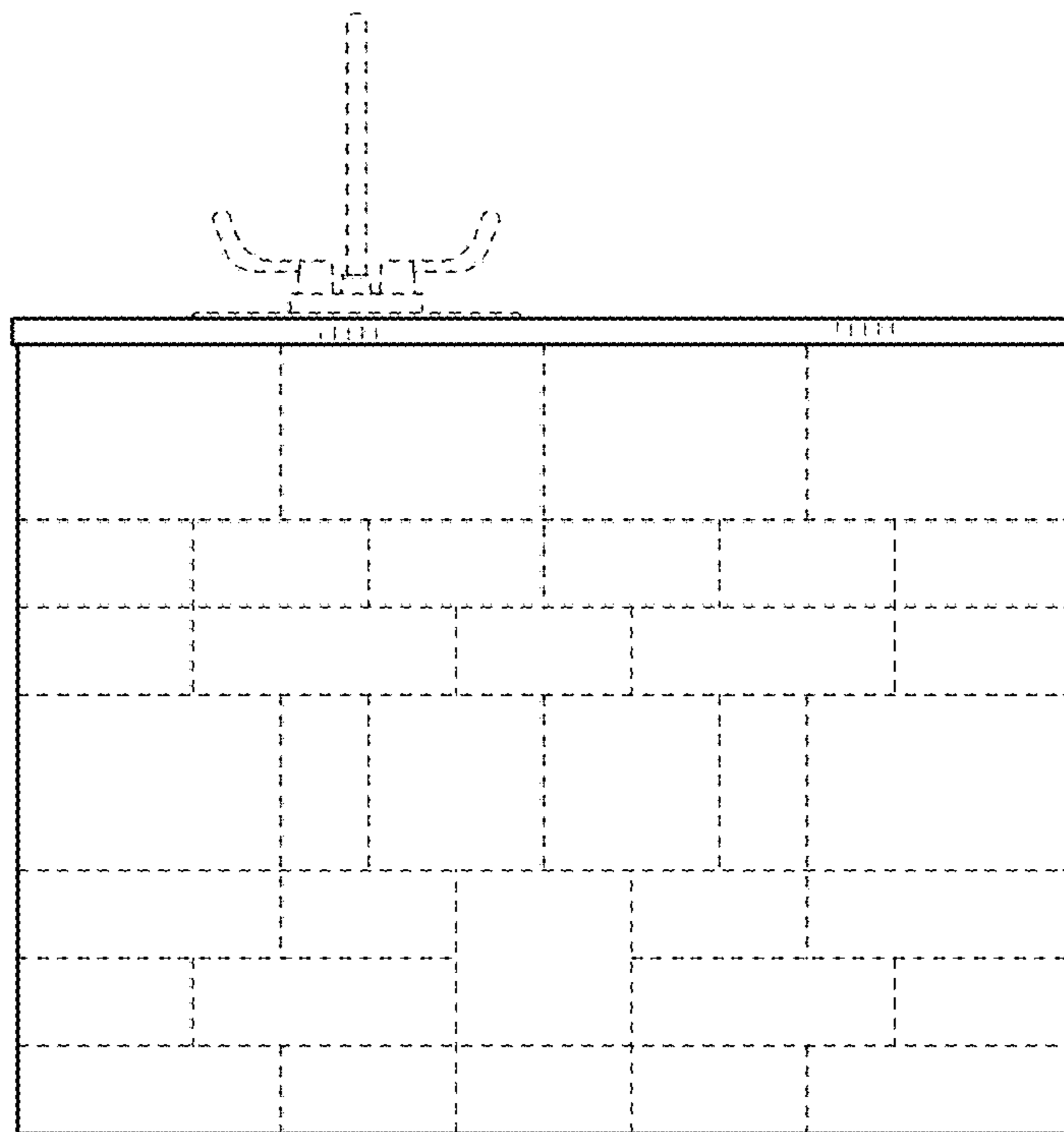


FIG. 3

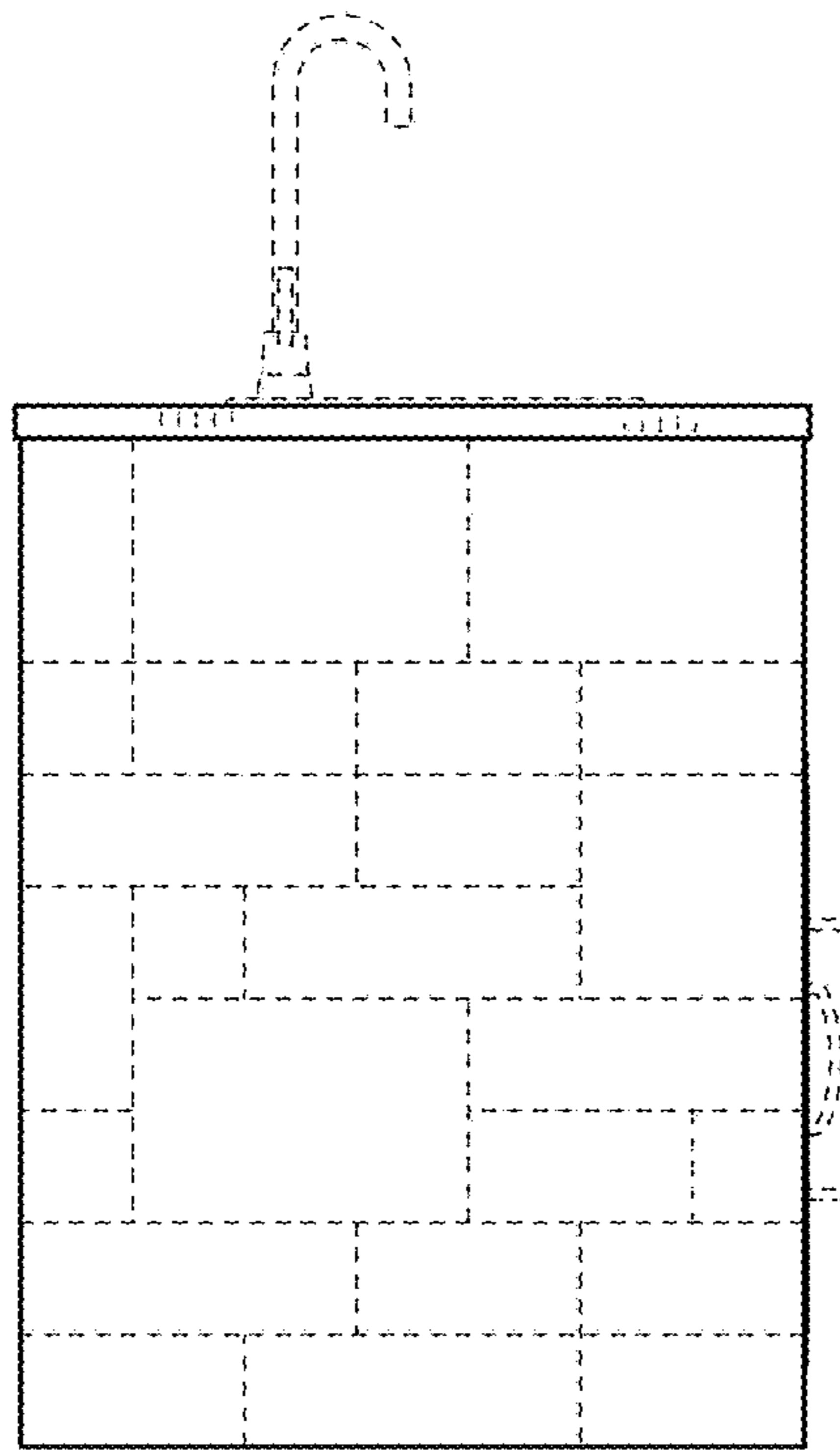


FIG. 4

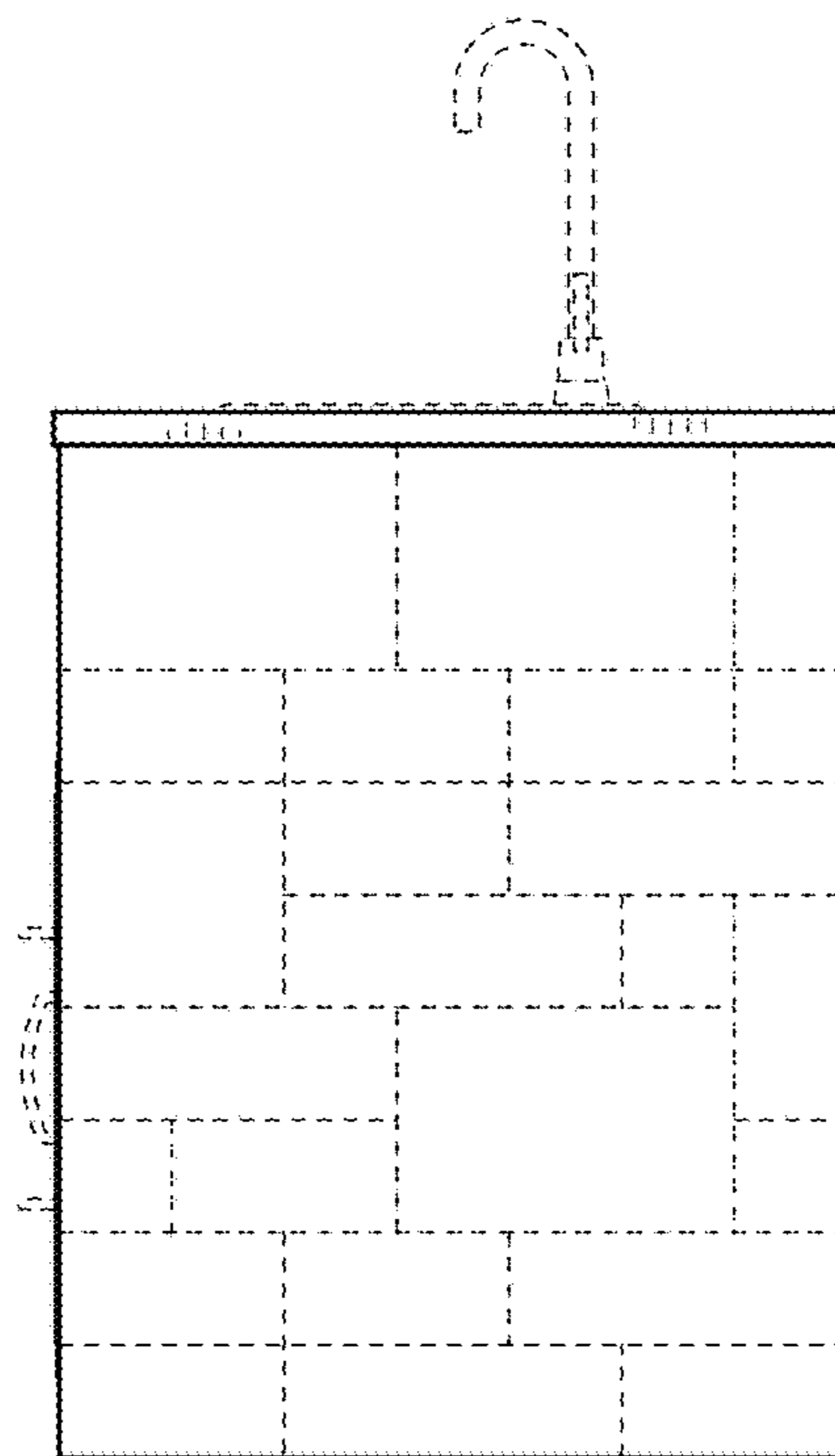


FIG. 5

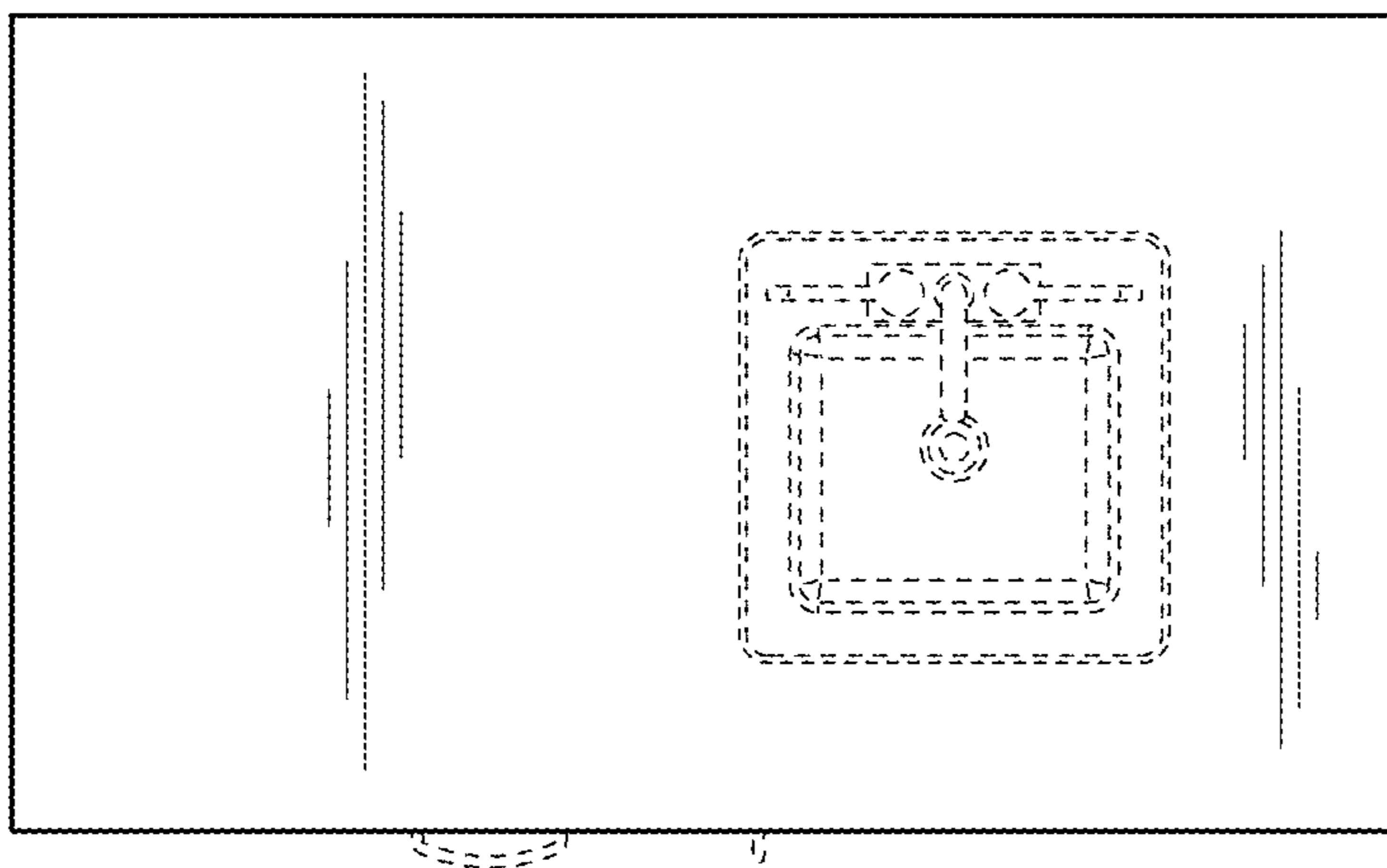


FIG. 6

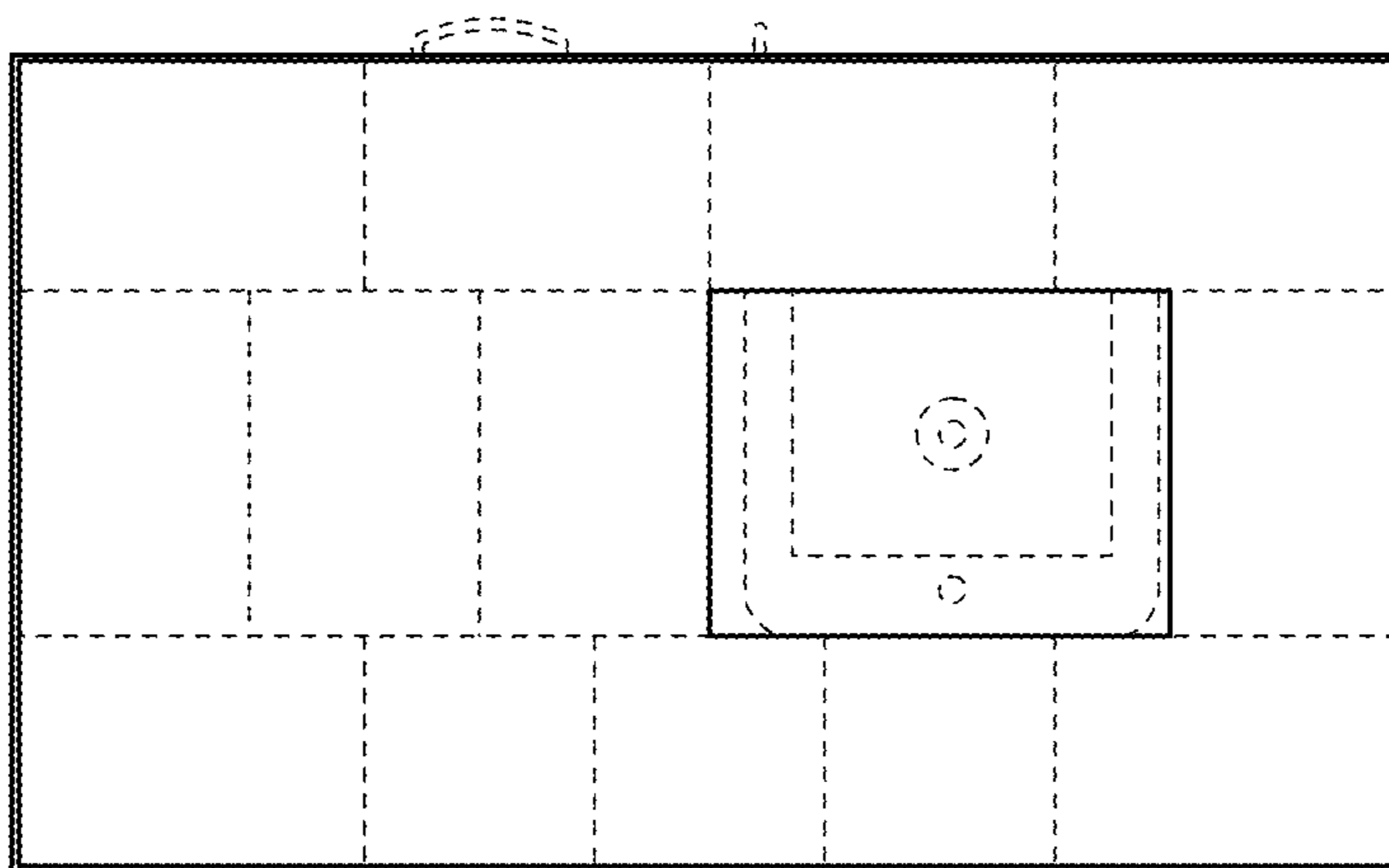


FIG. 7

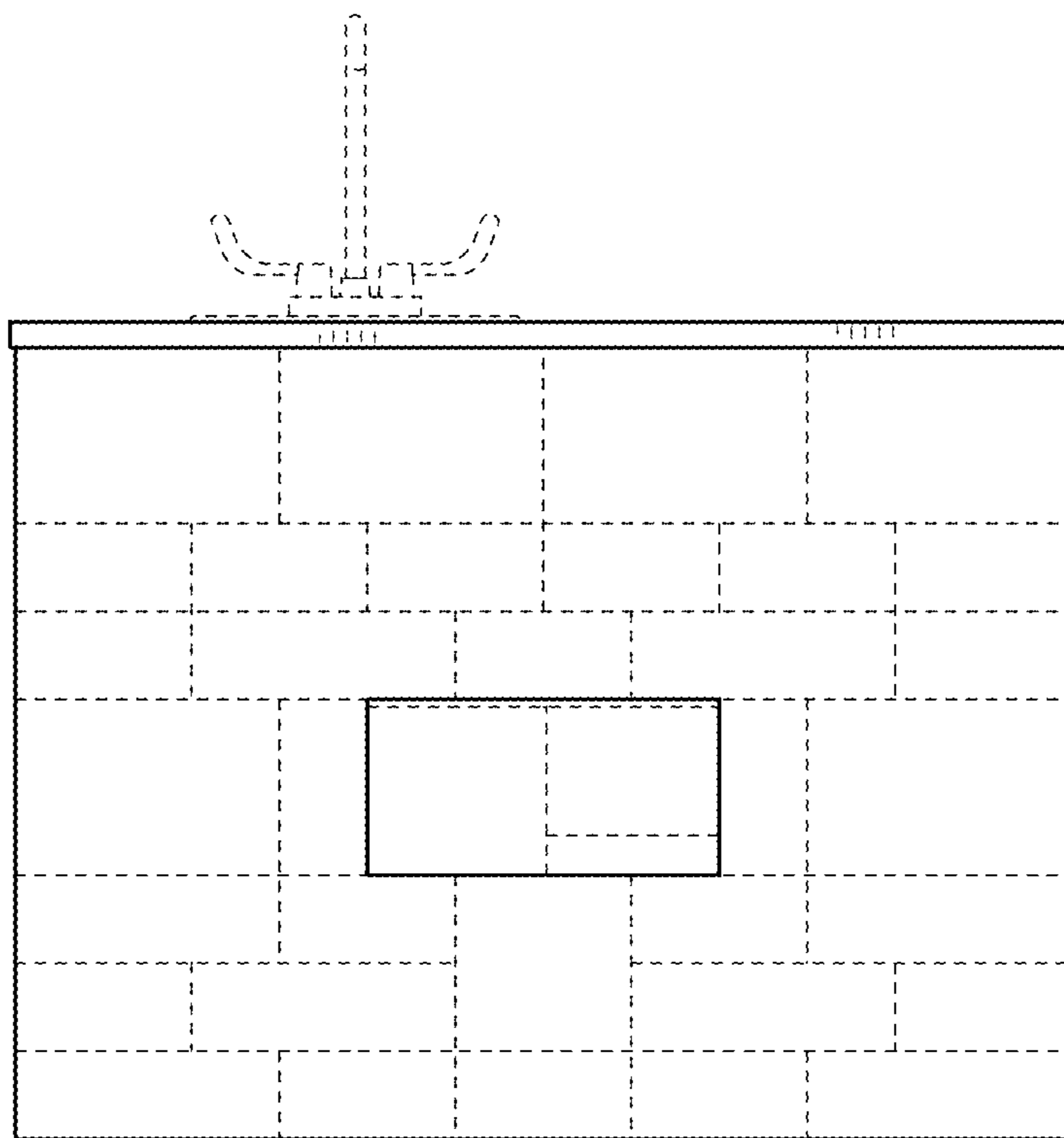


FIG. 8

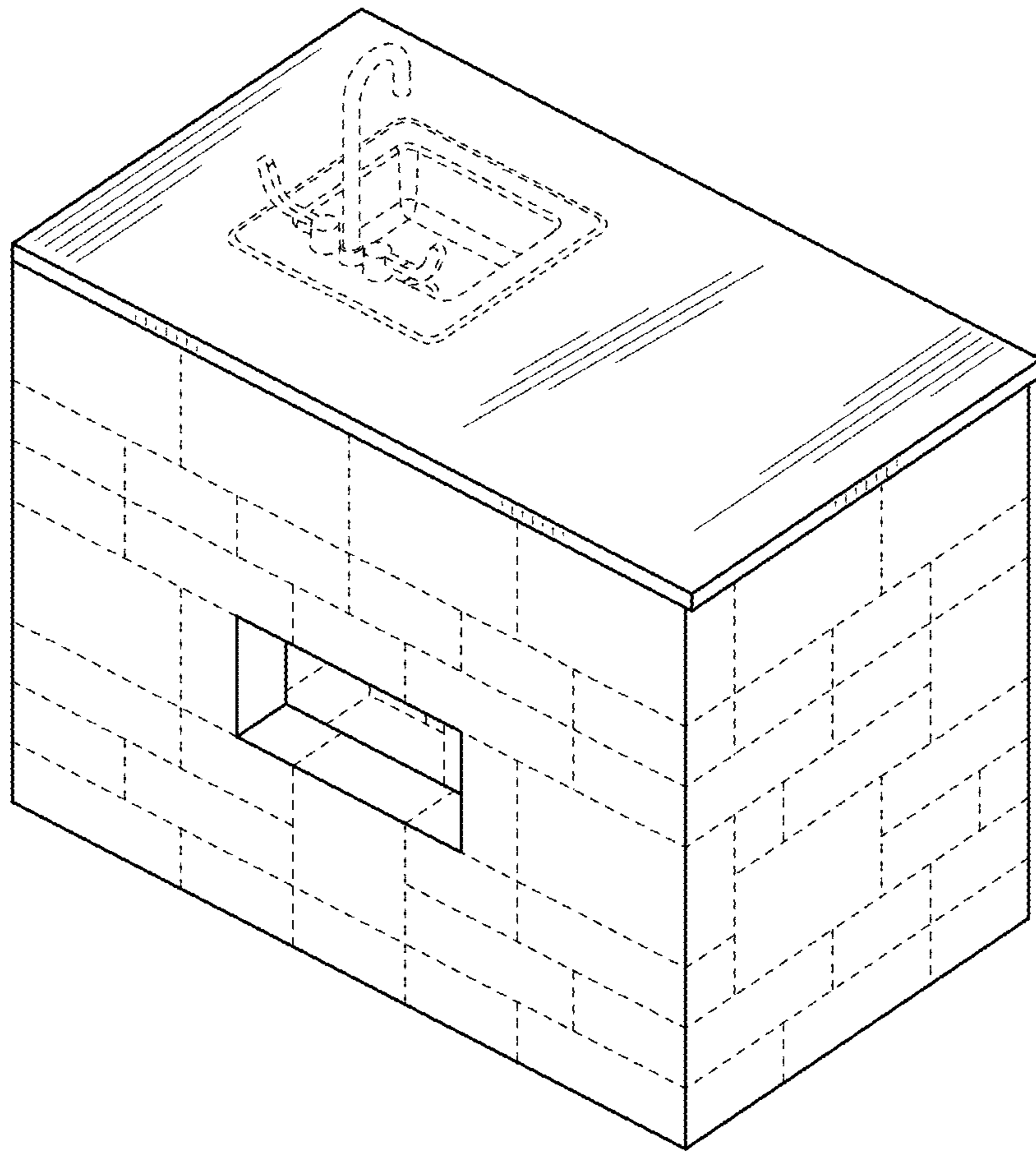


FIG. 9

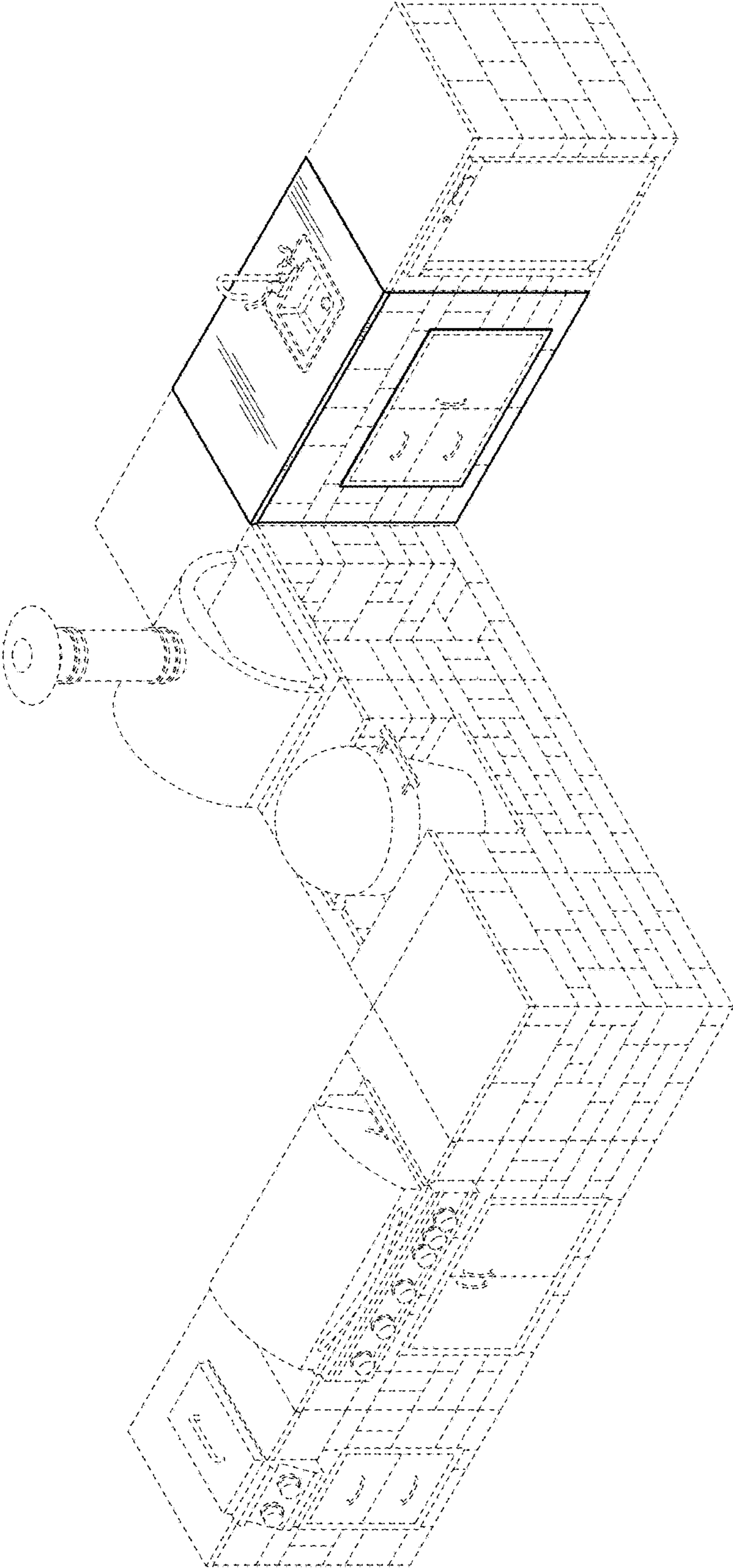


FIG. 10

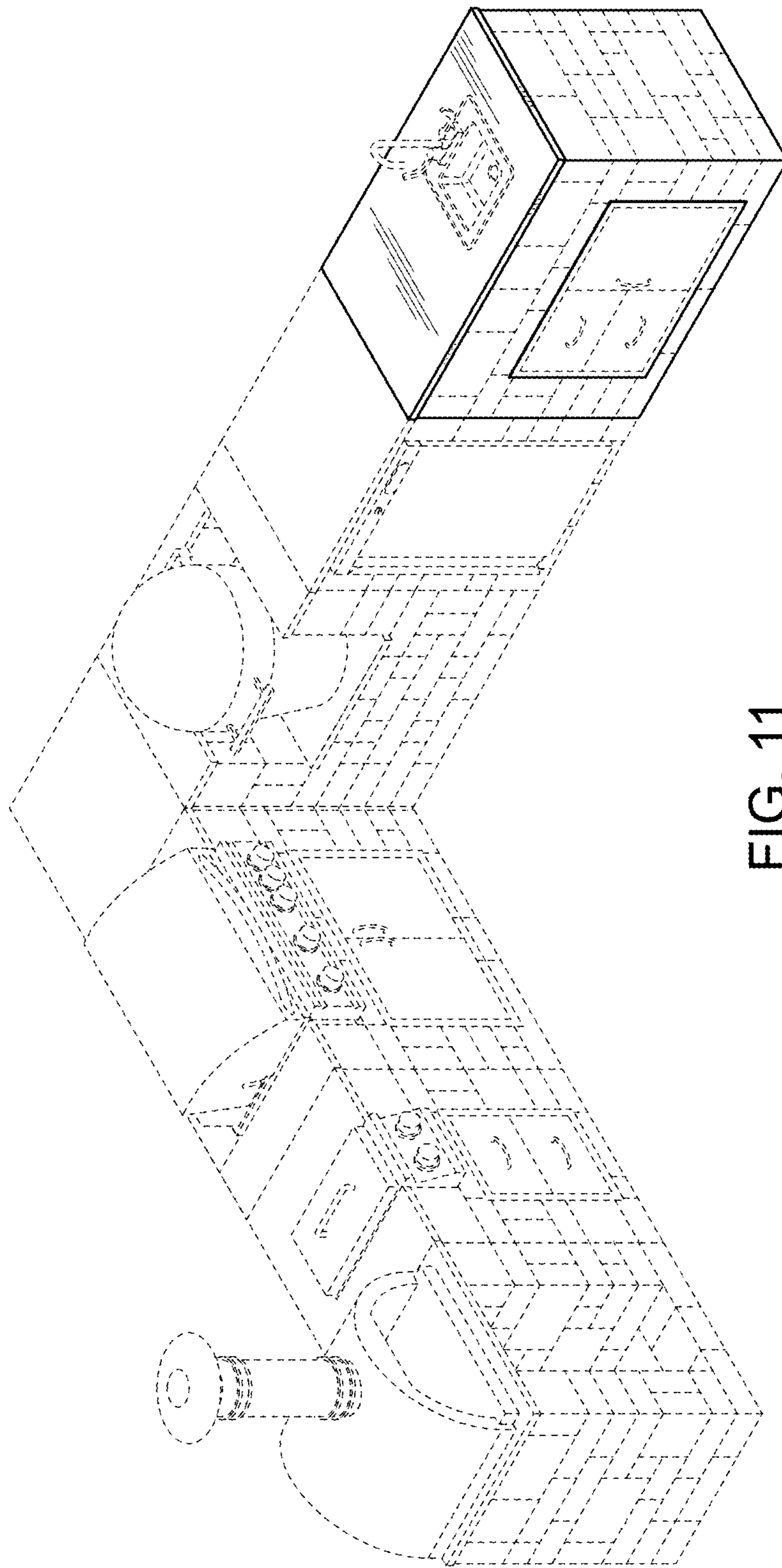


FIG. 11