



US00D785988S

(12) **United States Design Patent** (10) **Patent No.:** **US D785,988 S**
Polidoros (45) **Date of Patent:** **** May 9, 2017**

- (54) **TABLE**
- (71) Applicant: **IHS Global Design Pty Ltd**, Rowville, Victoria (AU)
- (72) Inventor: **Nicholas Polidoros**, Mitcham (AU)
- (73) Assignee: **IHS Global Design Pty Ltd** (AU)
- (**) Term: **15 Years**
- (21) Appl. No.: **29/533,724**
- (22) Filed: **Jul. 21, 2015**

- 1,963,594 A 6/1934 Schwabe
- 2,010,342 A 8/1935 Woods
- 2,057,334 A 10/1936 Hannum
- 2,190,623 A 2/1940 Benson
- D121,062 S 6/1940 Bach
- D129,485 S 9/1941 Jiranek
- D133,624 S 9/1942 Hollander
- 2,591,797 A 4/1952 Exline et al.
- 3,312,355 A 4/1967 Steinmetz
- D222,624 S 11/1971 Gianfagna
- 3,837,328 A 9/1974 Schaffer
- D240,377 S 7/1976 Goulder

(Continued)

FOREIGN PATENT DOCUMENTS

- AU 2006203492 2/2008
- CN 3245051 7/2002

(Continued)

OTHER PUBLICATIONS

Bloomberry, Rosewood foldable tray table, 1stdibs.com, http://www.1stdibs.com/furniture_item_print.php?id=664172, available at least as early as Nov. 2, 2012.

(Continued)

Primary Examiner — Mary Ann Calabrese
Assistant Examiner — Jennifer L Rempfer
(74) *Attorney, Agent, or Firm* — Saidman DesignLaw Group, LLC

Related U.S. Application Data

- (62) Division of application No. 29/472,554, filed on Nov. 13, 2013, now Pat. No. Des. 744,266.
- (51) **LOC (10) Cl.** **06-03**
- (52) **U.S. Cl.**
USPC **D6/691.6**
- (58) **Field of Classification Search**
USPC ... D6/691, 691.3, 691.6, 691.8, 707.19, 708, D6/708.16, 709, 709.2, 711, 711.1, 675.1
CPC . A47B 3/06; A47B 2200/0028; A47B 13/003; A47B 2013/006; F16B 12/48; F16B 12/52
See application file for complete search history.

(56) **References Cited**

U.S. PATENT DOCUMENTS

- 169,764 A 11/1875 Beaver
- 211,483 A 1/1879 Valley
- 587,219 A 7/1897 Maes
- 587,896 A 8/1897 White
- D35,045 S 9/1901 Stickley
- 901,152 A 10/1908 Churchill
- 919,257 A 4/1909 Seydewitz
- 1,793,709 A 2/1931 Meyers
- 1,939,904 A 12/1933 Koopman

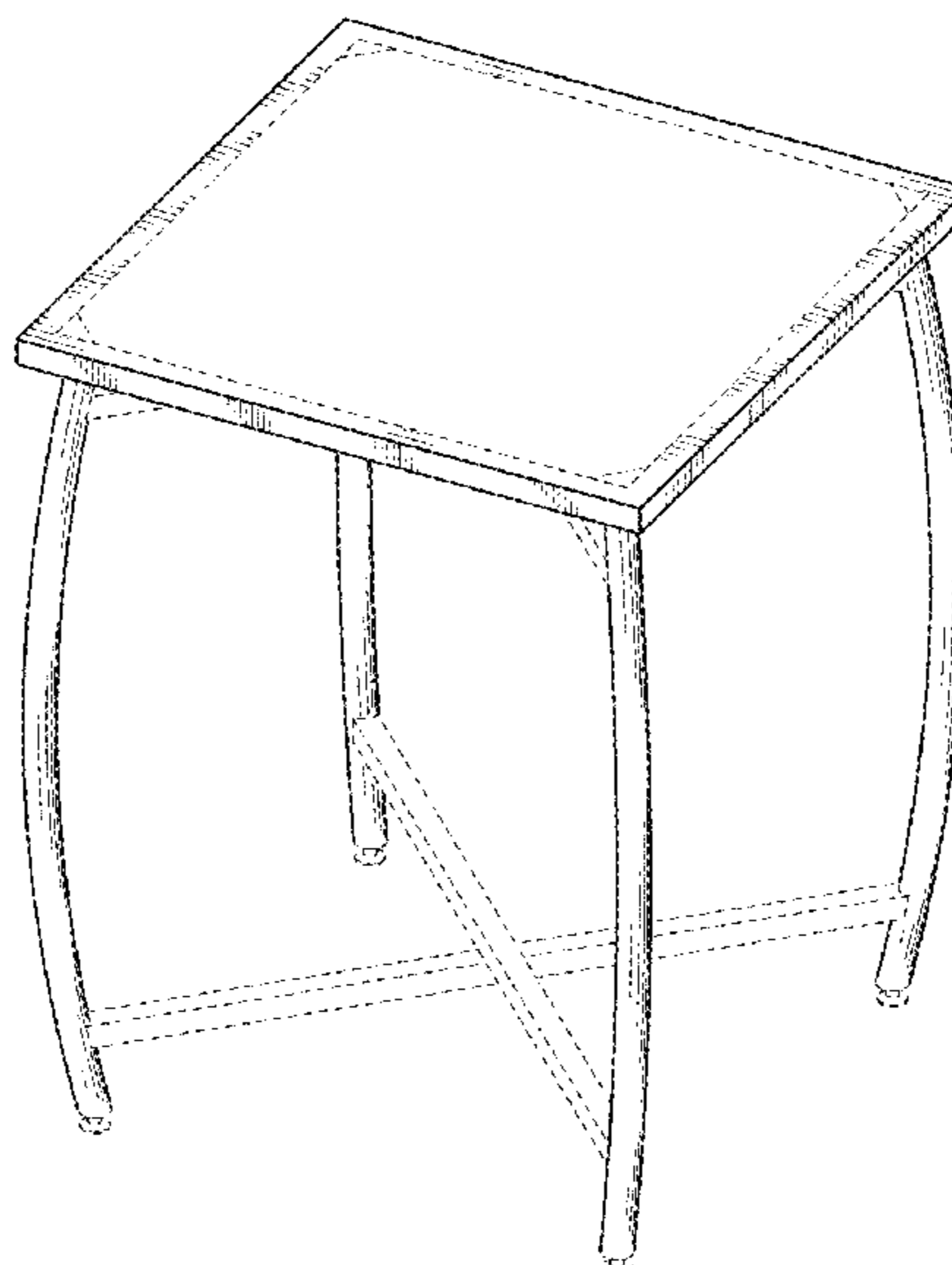
(57) **CLAIM**

The ornamental design for a table, as shown and described.

DESCRIPTION

The sole FIGURE is a perspective view of a table showing my new design. The broken lines show portions of the design that form no part of the claim.

1 Claim, 1 Drawing Sheet



(56)

References Cited

U.S. PATENT DOCUMENTS

D240,871 S 8/1976 Herman
 4,119,045 A 10/1978 Michelotti
 D250,313 S 11/1978 Miller
 RE30,020 E 6/1979 Spencer et al.
 4,300,455 A 11/1981 Ornati
 D264,291 S 5/1982 Haigh
 D268,555 S 4/1983 Rosen
 D278,774 S 5/1985 De Fuccio
 D279,742 S 7/1985 DiPersia
 4,529,160 A 7/1985 Chan et al.
 D298,095 S 10/1988 Kelley et al.
 4,779,540 A 10/1988 Dion et al.
 D304,135 S 10/1989 Mergenov
 4,879,800 A 11/1989 Rumman
 D307,685 S 5/1990 Kelley et al.
 D334,312 S 3/1993 Glass
 D339,002 S 9/1993 Wong
 D340,598 S * 10/1993 Castiglioni D6/691
 5,253,595 A 10/1993 Heidmann
 5,421,273 A 6/1995 Lin
 D389,347 S 1/1998 Muller
 D413,210 S 8/1999 Haserjian
 D415,909 S * 11/1999 Valderen D6/685
 D425,335 S 5/2000 Newhouse
 D430,414 S 9/2000 Aloisi
 D440,080 S 4/2001 Suzuki
 D440,431 S 4/2001 Alexandersson
 D440,788 S 4/2001 Alexandersson
 D441,574 S 5/2001 Voyce
 D443,442 S 6/2001 Hutton
 D450,950 S * 11/2001 Leideritz D6/691
 D455,298 S 4/2002 McDaniel et al.
 D456,644 S 5/2002 Weaver
 D460,880 S 7/2002 Ferrer
 D461,342 S 8/2002 Spitler
 D463,164 S 9/2002 Davis
 D468,938 S 1/2003 Williams
 6,615,746 B2 9/2003 Bart
 D480,578 S 10/2003 Teel
 D482,214 S 11/2003 Weaver
 D485,097 S 1/2004 Raftery
 D486,015 S 2/2004 de Blois
 D488,938 S 4/2004 DiPersia
 D493,983 S 8/2004 Di Guglielmo et al.
 D506,082 S 6/2005 Foy
 D511,911 S 11/2005 Light et al.
 D534,743 S 1/2007 Bibi
 D553,384 S 10/2007 Wilenius
 D558,487 S 1/2008 Everson et al.
 D561,495 S 2/2008 Kreiss
 D572,499 S 7/2008 Davis
 D573,384 S * 7/2008 Domack D6/707.19
 D606,337 S 12/2009 Lee
 D649,381 S 11/2011 Mainzer
 D662,735 S 7/2012 Polidoros
 D665,540 S 8/2012 Kilroy
 D692,708 S 11/2013 Polidoros
 D692,709 S 11/2013 Polidoros
 D693,157 S 11/2013 Polidoros
 D693,161 S 11/2013 Polidoros
 D693,162 S 11/2013 Polidoros
 D693,613 S 11/2013 Polidoros
 D693,614 S 11/2013 Polidoros
 D703,473 S 4/2014 Polidoros
 D708,463 S 7/2014 Polidoros
 8,925,468 B2 1/2015 Polidoros
 D744,266 S * 12/2015 Polidoros D6/708.16

D750,403 S * 3/2016 Polidoros D6/691.6
 D764,190 S * 8/2016 Chang D6/349
 2003/0095832 A1 5/2003 Weaver
 2006/0150870 A1 7/2006 Mai
 2008/0143166 A1 6/2008 de Oliveira
 2010/0147200 A1 6/2010 Polidoros
 2010/0269738 A1 10/2010 Collins

FOREIGN PATENT DOCUMENTS

DE 29800863 7/1998
 EP 0 613 637 11/1993
 EP 0 823 582 1/1997
 FR 674881 2/1930
 FR 708875 7/1931
 FR 2320713 3/1977
 FR 954590-001 11/1995
 FR 954590-002 11/1995
 FR 965228-002 2/1997
 FR 2750837 1/1998
 FR 977595-003 1/2001
 FR 010278-012 6/2001
 FR 032542-002 8/2003
 GB 322625 7/1929
 GB 387188 2/1933
 GB 397 592 8/1933
 GB 510 248 7/1939
 GB 652 211 4/1951
 GB 766 898 1/1957
 GB 1356191 6/1974
 GB 2060886 2/1997
 GB 2 316 605 3/1998
 JP 59134424 11/1987
 JP 55013857 1/1989
 WO 81-01321 5/1981
 WO 97/32503 9/1997
 WO 00/03147 1/2000
 WO 2008/014535 2/2008

OTHER PUBLICATIONS

Fornasetti Lacquered Tray Table, 1stdibs.com, http://www.1stdibs.com/furniture_item_print.php?id=700614, available at least as early as Nov. 2, 2012.
 Mark Frisman, Hans Wegner Occasional Table in Teak, 1stdibs.com, http://www.1stdibs.com/furniture_item_print.php?id=711797, available at least as early as Nov. 2, 2012.
 Dual, Nest of Occasional Tables Bertha Schaefer for M. Singer & Sons, 1stdibs.com, http://www.1stdibs.com/furniture_item_print.php?id=330714, available at least as early as Nov. 2, 2012.
 G4 Décor, Tole Tray with Stand, 1stdibs.com, http://www.1stdibs.com/furniture_item_print.php?id=499089, available at least as early as Nov. 2, 2012.
 Forbes Industries, EcoFlex Tables Catalogue, © 2013.
 European Search Report dated Jul. 5, 2010 for Application No. EP 10157763.
 International Search Report dated Jun. 2, 2007 for Application No. PCT/AU2007/000589.
 Written Opinion dated Jul. 17, 2008 for Application No. PCT/AU2007/000589.
 Abstract for WO 81/01321 dated May 14, 1981.
 Abstract for EP 0823582 dated Feb. 11, 1998.
 Application of Nicholas Polidoros in U.S. Appl. No. 29/457,232, filed Jun. 7, 2013. (Unpublished).
 Forbes Brochure, published in 2000.
 Application of Nicholas Polidoros in U.S. Appl. No. 29/472,555, filed Nov. 13, 2013. (Unpublished).

* cited by examiner

