



US00D785982S

(12) **United States Design Patent** (10) **Patent No.:** **US D785,982 S**  
**Brown et al.** (45) **Date of Patent:** **\*\* May 9, 2017**

(54) **DISPLAY STRUCTURE** 2,115,048 A \* 4/1938 Stewart ..... A47F 3/0439  
108/92  
(71) Applicant: **Apple Inc.**, Cupertino, CA (US) D109,489 S \* 5/1938 Lacy ..... D6/675.1  
D114,674 S \* 5/1939 Gross ..... D6/675.3  
(72) Inventors: **Sam Brown**, Sunnyvale, CA (US); D147,084 S \* 7/1947 Reinecke ..... D6/675.3  
**Casey Feeney**, Los Gatos, CA (US); 4,025,137 A \* 5/1977 Wyler ..... A47B 45/00  
**Jean-Marc Gady**, Los Altos, CA (US); 312/114  
**Christopher M. Green**, Cupertino, CA D372,816 S \* 8/1996 Rose ..... D6/675.4  
(US); **Kully Kraig Mandon**, San D439,445 S \* 3/2001 Riga ..... D6/675.3  
Francisco, CA (US); **Stefan Behling**, D467,450 S \* 12/2002 Trulaske, Sr. .... D6/675  
London (GB); **Rafe Bertram**, London D541,082 S \* 4/2007 Nomoto ..... D6/675.3  
(GB); **James McGrath**, Cupertino, CA D641,988 S \* 7/2011 Giroux ..... D6/675  
(US) D757,465 S \* 5/2016 Woelfel ..... D6/672  
D769,021 S \* 10/2016 Green ..... D6/560

\* cited by examiner

(73) Assignee: **Apple Inc.**, Cupertino, CA (US)

(\*\*) Term: **15 Years**

(21) Appl. No.: **29/556,102**

(22) Filed: **Feb. 26, 2016**

**Related U.S. Application Data**

(63) Continuation of application No. 29/537,128, filed on Aug. 21, 2015.

(51) **LOC (10) Cl.** ..... **06-04**

(52) **U.S. Cl.**

USPC ..... **D6/675.3**

(58) **Field of Classification Search**

USPC ..... D6/657, 661, 672, 673, 675, 675.1,  
D6/675.3, 675.45, 560

CPC ..... A47F 3/00; A47F 3/005; A47F 5/0018;  
A47F 5/0043; A47F 3/0439; A47B 45/00;  
A47B 57/00; A47B 63/00; A47B 43/00

See application file for complete search history.

(56) **References Cited**

**U.S. PATENT DOCUMENTS**

D56,348 S \* 10/1920 Fifer ..... D6/675.1  
D80,738 S \* 3/1930 Orr et al. .... D6/675.3

*Primary Examiner* — Mimosa De

(74) *Attorney, Agent, or Firm* — Sterne, Kessler,  
Goldstein & Fox P.L.L.C.

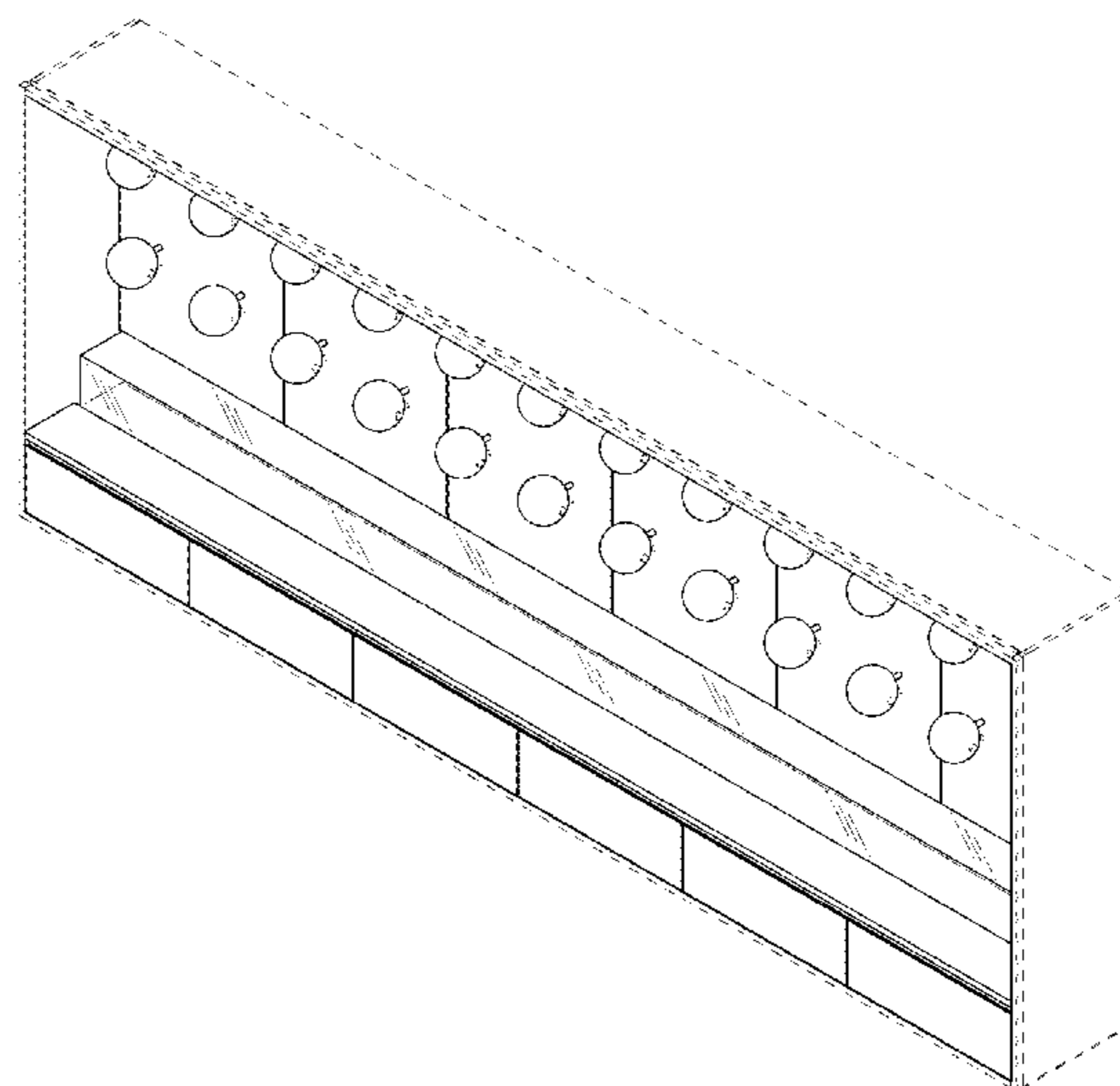
(57) **CLAIM**

The ornamental design for a display structure, as shown and described.

**DESCRIPTION**

FIG. 1 is a top right perspective view of a display structure showing our new design;  
FIG. 2 is a bottom left perspective view thereof;  
FIG. 3 is a front view thereof;  
FIG. 4 is a rear view thereof;  
FIG. 5 is a left side view thereof;  
FIG. 6 is a right side view thereof;  
FIG. 7 is a top view thereof;  
FIG. 8 is a bottom view thereof; and,  
FIG. 9 is a front view thereof showing the display structure in an environment in which it may be used.  
The dashed broken lines in the figures show portions of the display structure or environment that form no part of the claimed design.

**1 Claim, 7 Drawing Sheets**



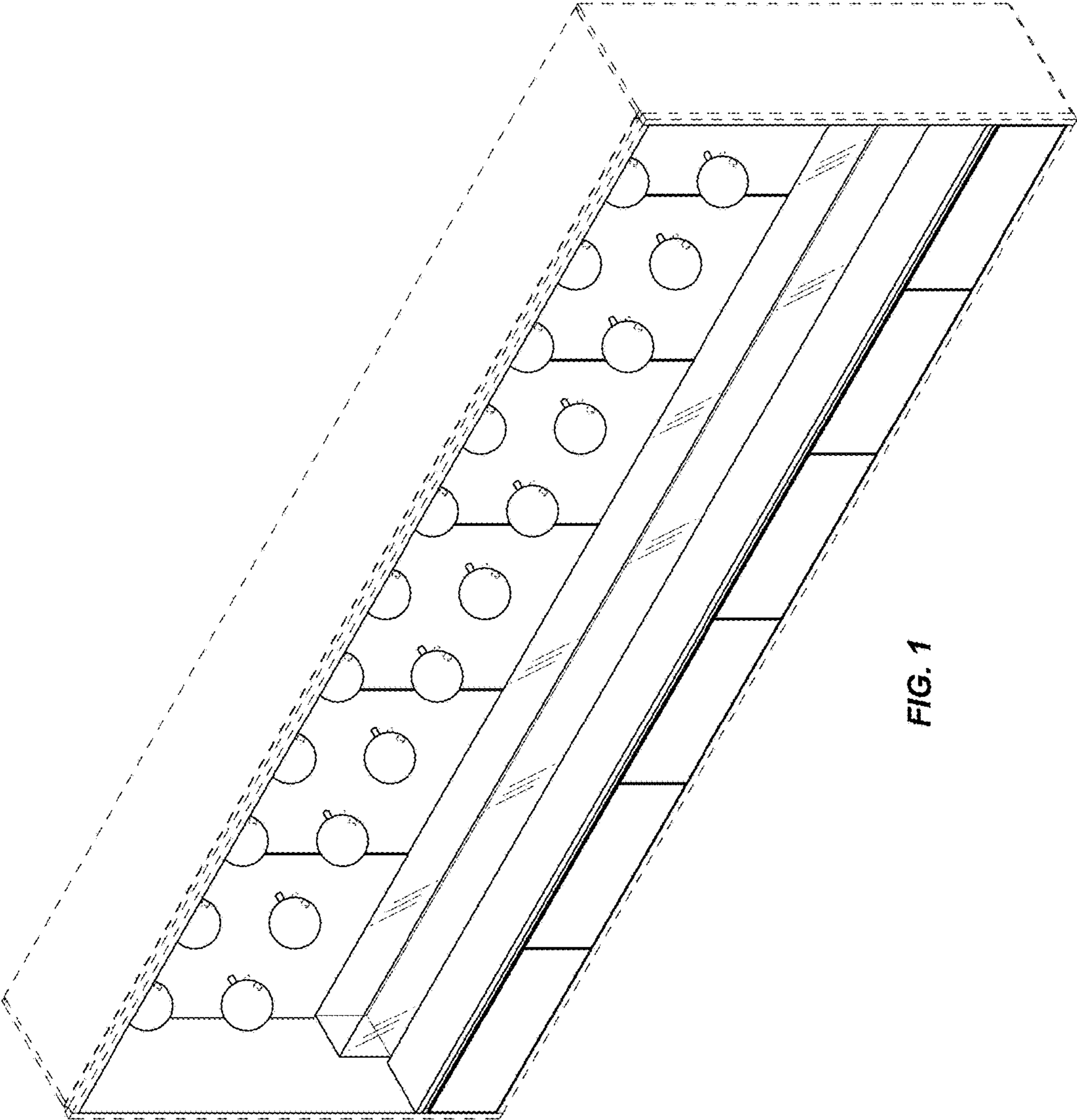


FIG. 1

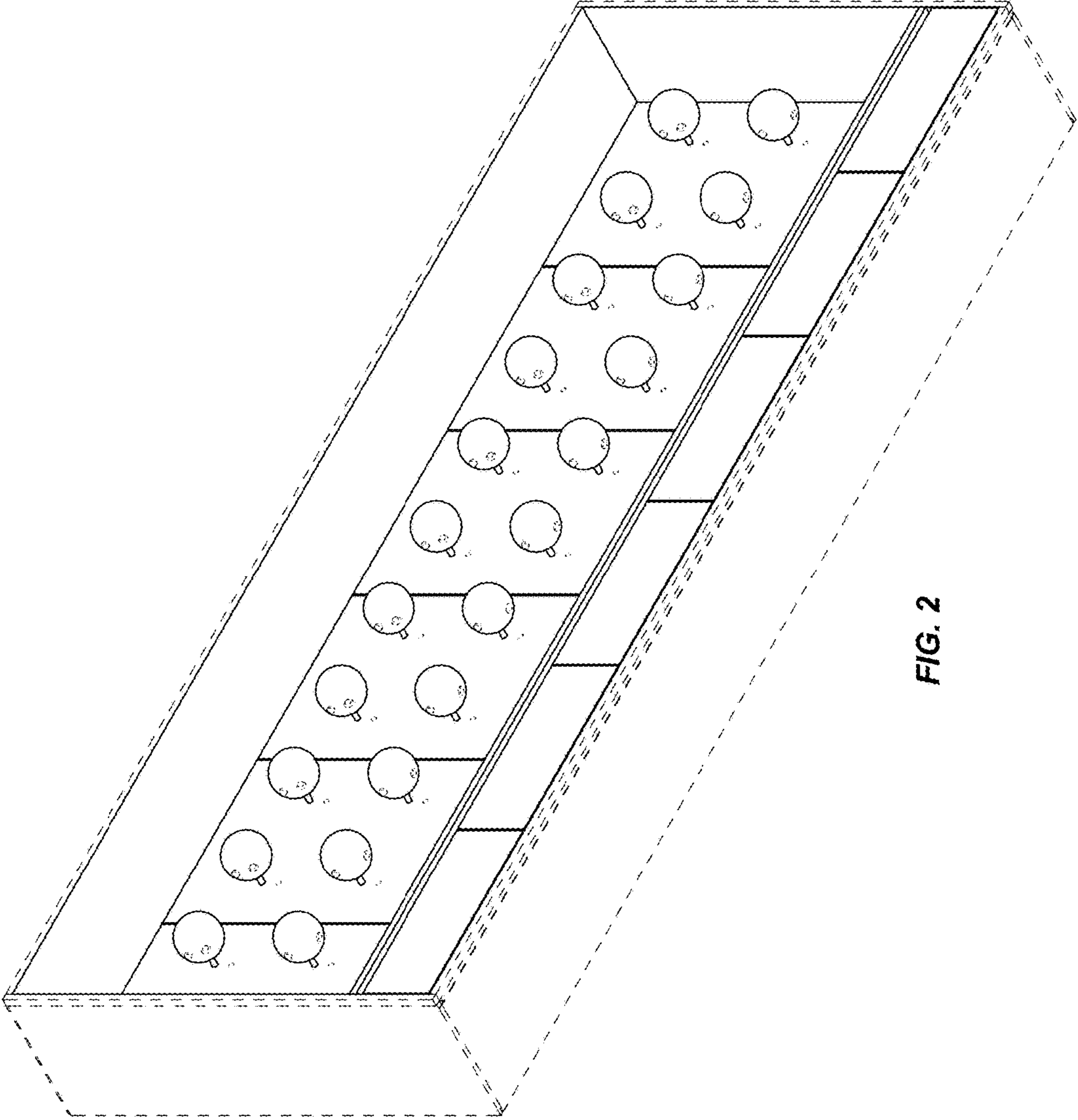


FIG. 2

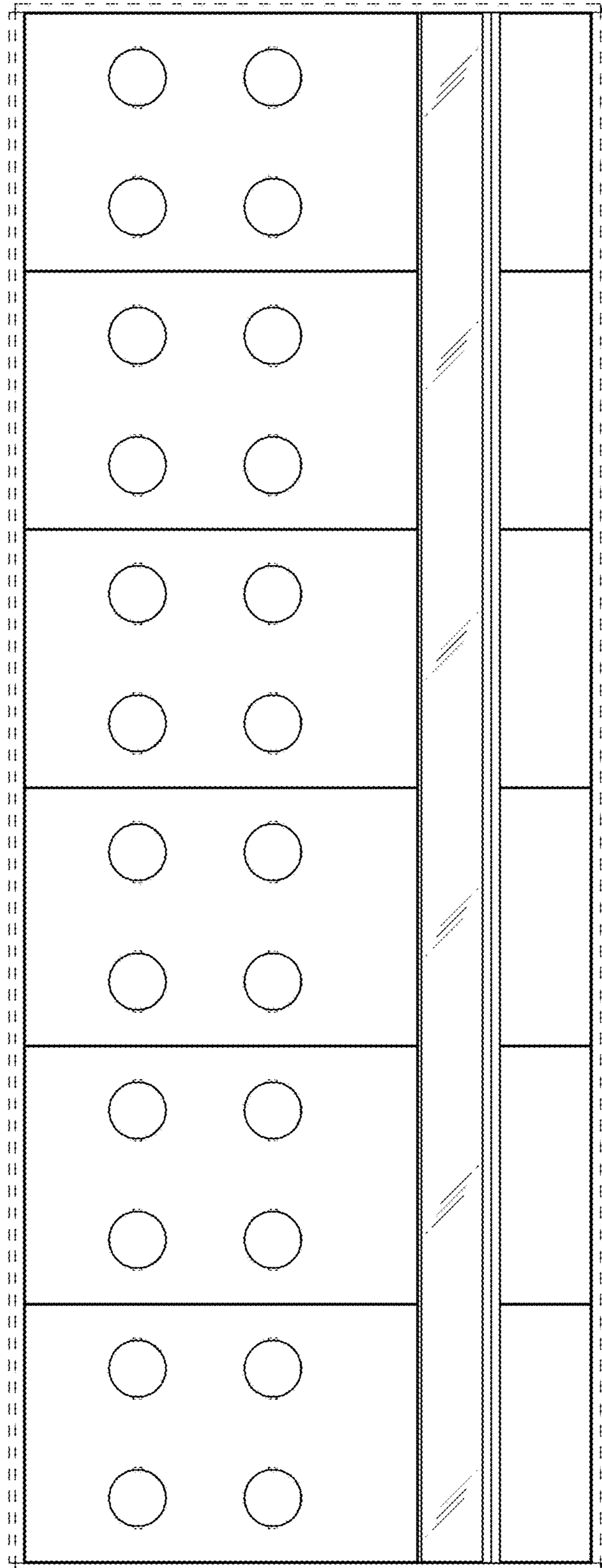


FIG. 3

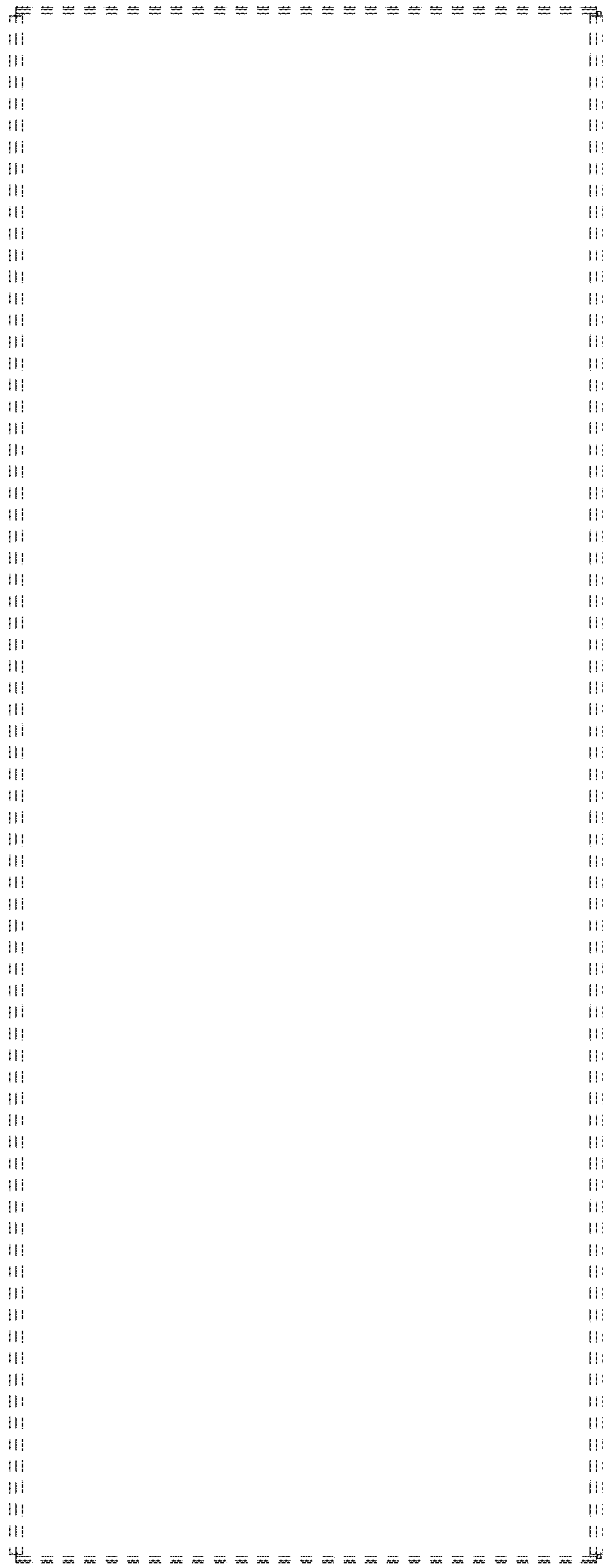
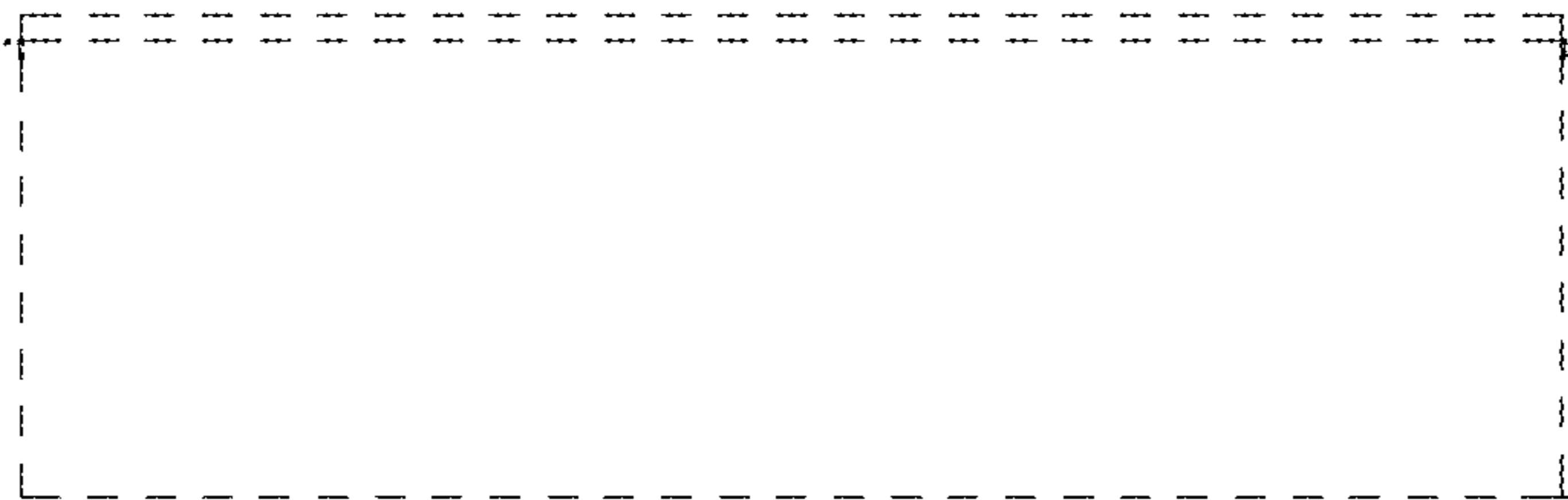


FIG. 4

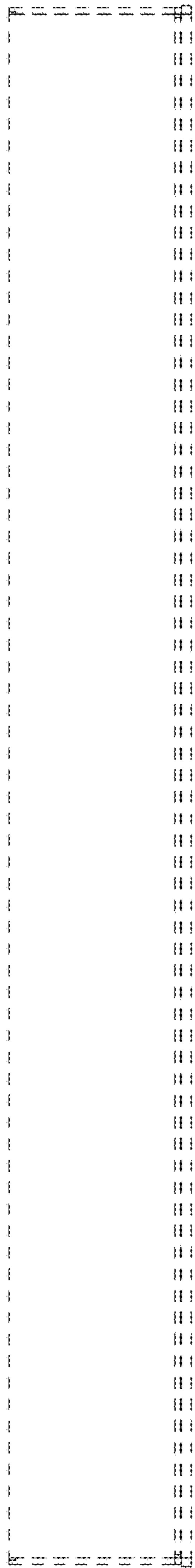




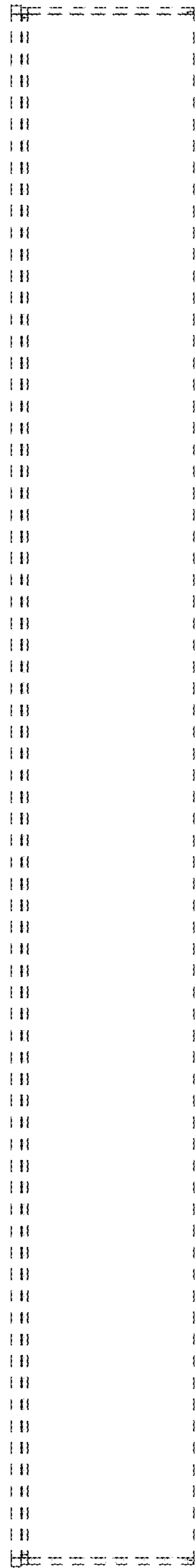
**FIG. 6**



**FIG. 5**



**FIG. 7**



**FIG. 8**

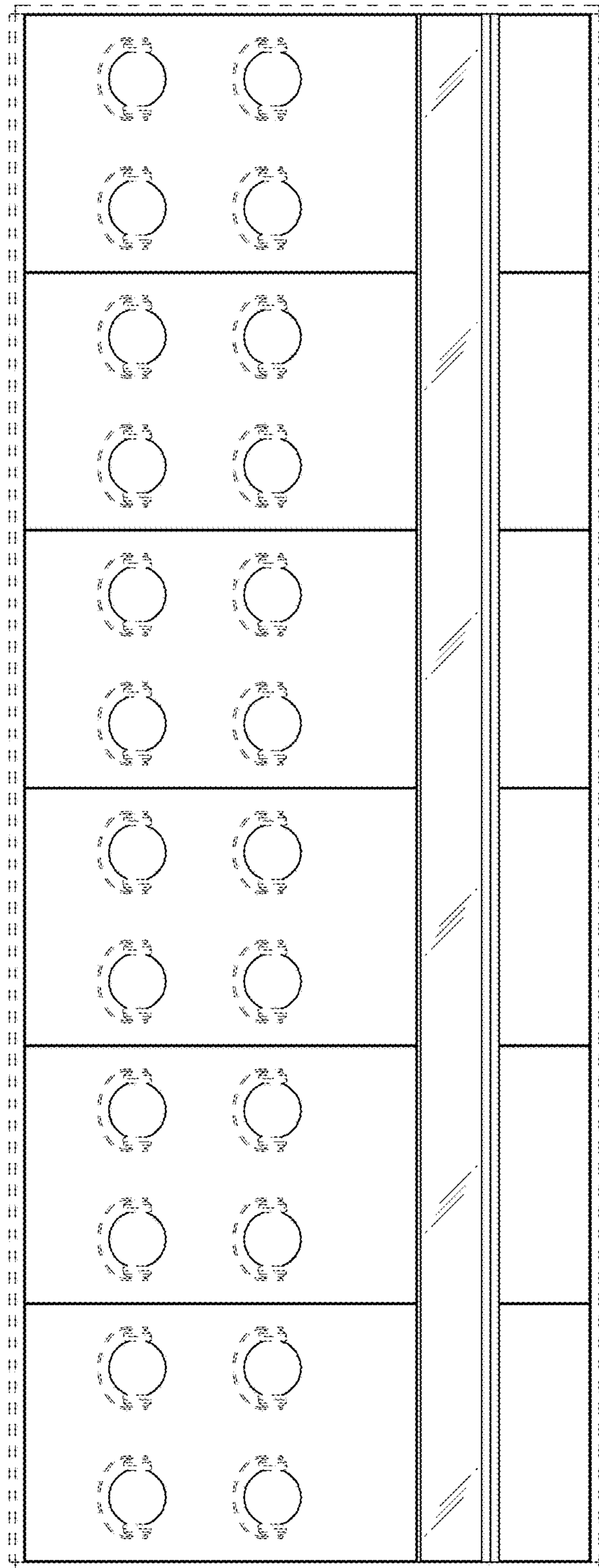


FIG. 9