



US00D785981S

(12) **United States Design Patent**
Kimmich et al.

(10) **Patent No.:** **US D785,981 S**

(45) **Date of Patent:** **** May 9, 2017**

(54) **ACCESSORY STAND**

(71) Applicants: **Karl C. Kimmich**, Wexford, PA (US);
Bradley J. Field, Clifton Park, NY (US)

(72) Inventors: **Karl C. Kimmich**, Wexford, PA (US);
Bradley J. Field, Clifton Park, NY (US)

(73) Assignee: **Trinity Capital Ventures, LLC**,
Wexford, PA (US)

(**) Term: **15 Years**

(21) Appl. No.: **29/541,861**

(22) Filed: **Oct. 8, 2015**

(51) **LOC (10) Cl.** **06-04**

(52) **U.S. Cl.**
USPC **D6/675.3**

(58) **Field of Classification Search**
USPC D6/300, 314, 675.3; D25/64, 65;
144/286.1; 182/20, 21, 27, 33-33.7, 35,
182/39, 62.5, 67.1, 85, 125, 126, 129,
182/165; 297/124, 130
CPC A47C 12/00; A47C 12/02; E06C 1/005;
E06C 1/393
See application file for complete search history.

(56) **References Cited**

U.S. PATENT DOCUMENTS

2,230,015	A *	1/1941	Rich	E06C 1/387
					182/161
D197,061	S *	12/1963	Silverstein	182/33.5
3,224,530	A *	12/1965	King	A47C 12/02
					182/33
3,960,241	A *	6/1976	Arias	E06C 1/005
					182/33.3
4,130,316	A *	12/1978	Rossi	A47C 12/02
					182/156

4,236,599	A *	12/1980	Luff	A47C 12/02
					144/286.1
4,258,827	A *	3/1981	Klose	A47C 12/02
					182/33.3
4,320,817	A *	3/1982	Knoke	A47C 12/02
					182/126
4,557,350	A *	12/1985	Wang	A47C 12/02
					182/125
D343,906	S *	2/1994	Murray	D25/64
6,089,661	A *	7/2000	Åstrom	A47D 11/02
					182/33.2
D485,708	S *	1/2004	Robertson	D6/675.3
6,880,835	B2 *	4/2005	Tornabene	B62B 1/002
					182/20
7,051,837	B1 *	5/2006	Brahier	B25H 1/04
					182/129
D523,155	S *	6/2006	Shoultz	D25/64
D591,533	S *	5/2009	Karsson	D6/675.3

(Continued)

Primary Examiner — Manpreet Matharu

Assistant Examiner — Keith Wilson

(74) *Attorney, Agent, or Firm* — Paul D Bangor, Jr.;
Clark Hill, PLC

(57) **CLAIM**

The ornamental design for an accessory stand, as shown and described.

DESCRIPTION

FIG. 1 is a perspective view of an accessory stand of the present invention.

FIG. 2 a left elevational view of the accessory stand of FIG. 1.

FIG. 3 is a right elevational view of the accessory stand of FIG. 1.

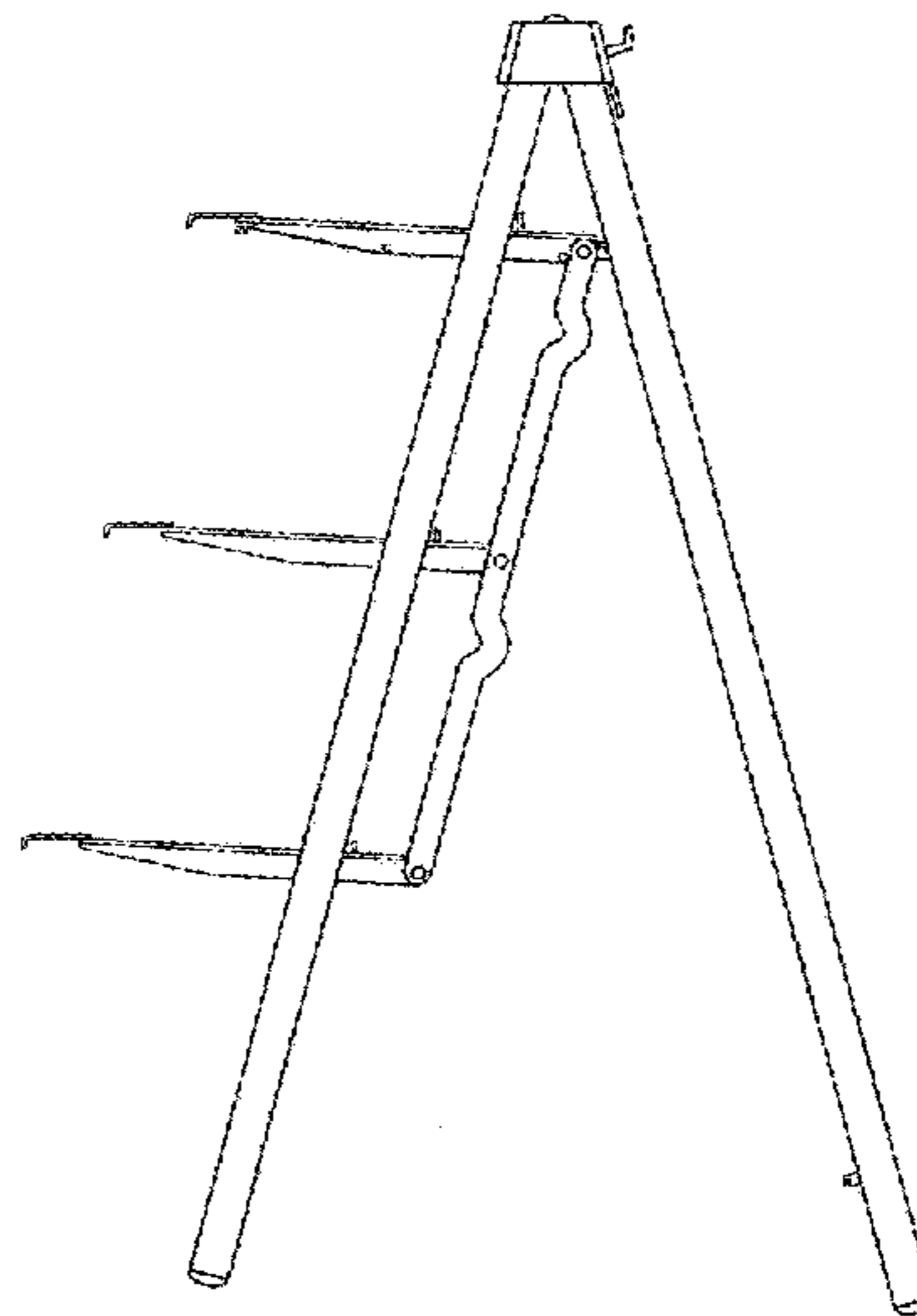
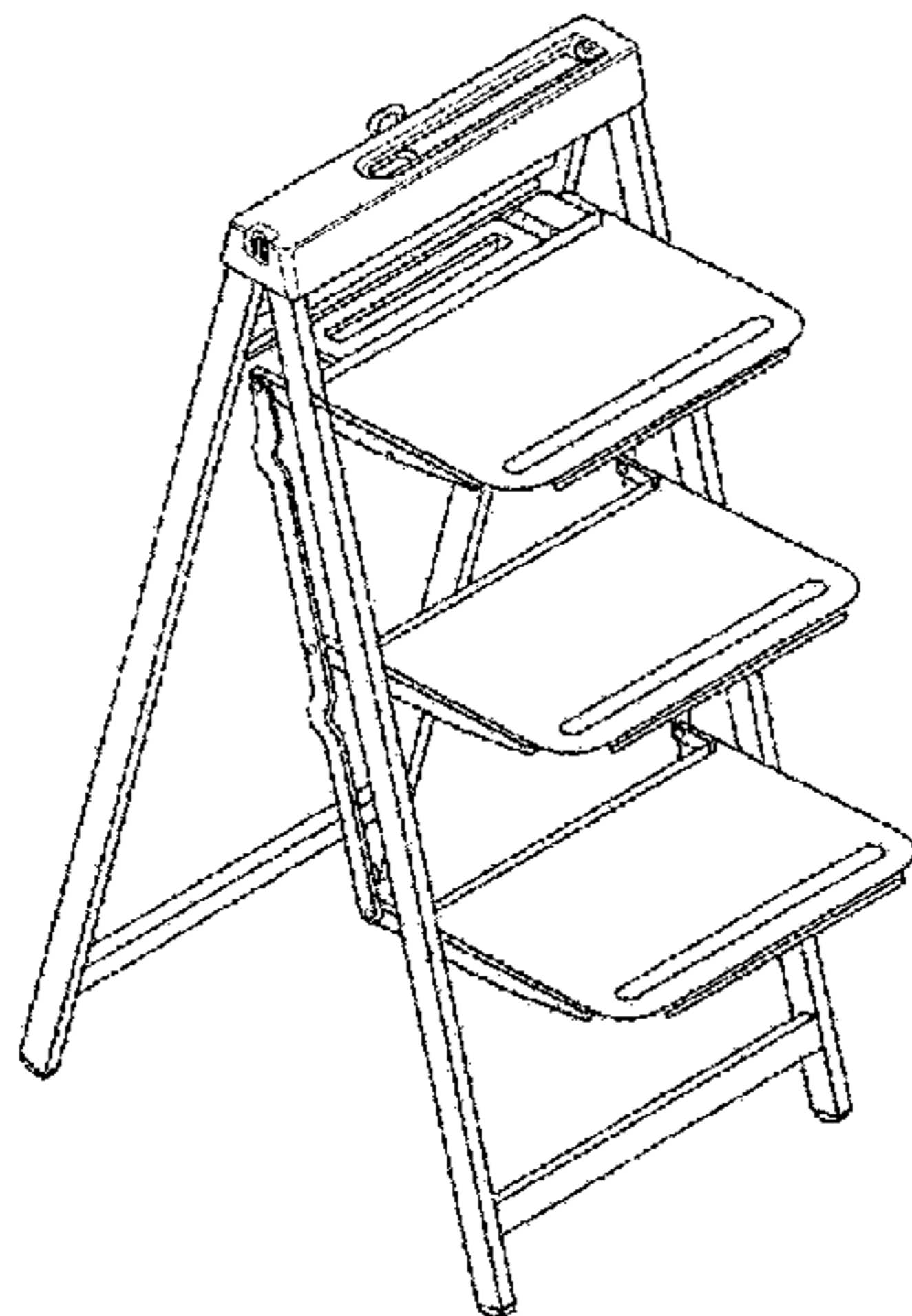
FIG. 4 is a rear view of the accessory stand of FIG. 1.

FIG. 5 is a front view of the accessory stand of FIG. 1.

FIG. 6 is a top view of the accessory stand of FIG. 1; and,

FIG. 7 is a bottom view of the accessory stand of FIG. 1.

1 Claim, 2 Drawing Sheets



(56)

References Cited

U.S. PATENT DOCUMENTS

D624,200 S * 9/2010 Kieffer D25/65
7,828,117 B2 * 11/2010 Cole A47C 12/02
182/165
D643,232 S * 8/2011 Wagner D6/675.3
8,127,890 B2 * 3/2012 Meyers A47C 12/00
182/156
D671,337 S * 11/2012 Sexton D6/675.3
8,408,361 B2 * 4/2013 Chung B62B 1/12
182/20
8,684,139 B2 * 4/2014 Leng A47C 12/00
182/129
D737,079 S * 8/2015 Tsai D6/675.3
9,332,838 B1 * 5/2016 Kilday A47B 47/0091
2005/0029050 A1 * 2/2005 Baumgartner E06C 1/393
182/165
2007/0056797 A1 * 3/2007 Wang B62B 1/12
182/21
2010/0200334 A1 * 8/2010 Moldthan E06C 1/393
182/165
2015/0027810 A1 * 1/2015 Yoo E06C 1/393
182/27

* cited by examiner

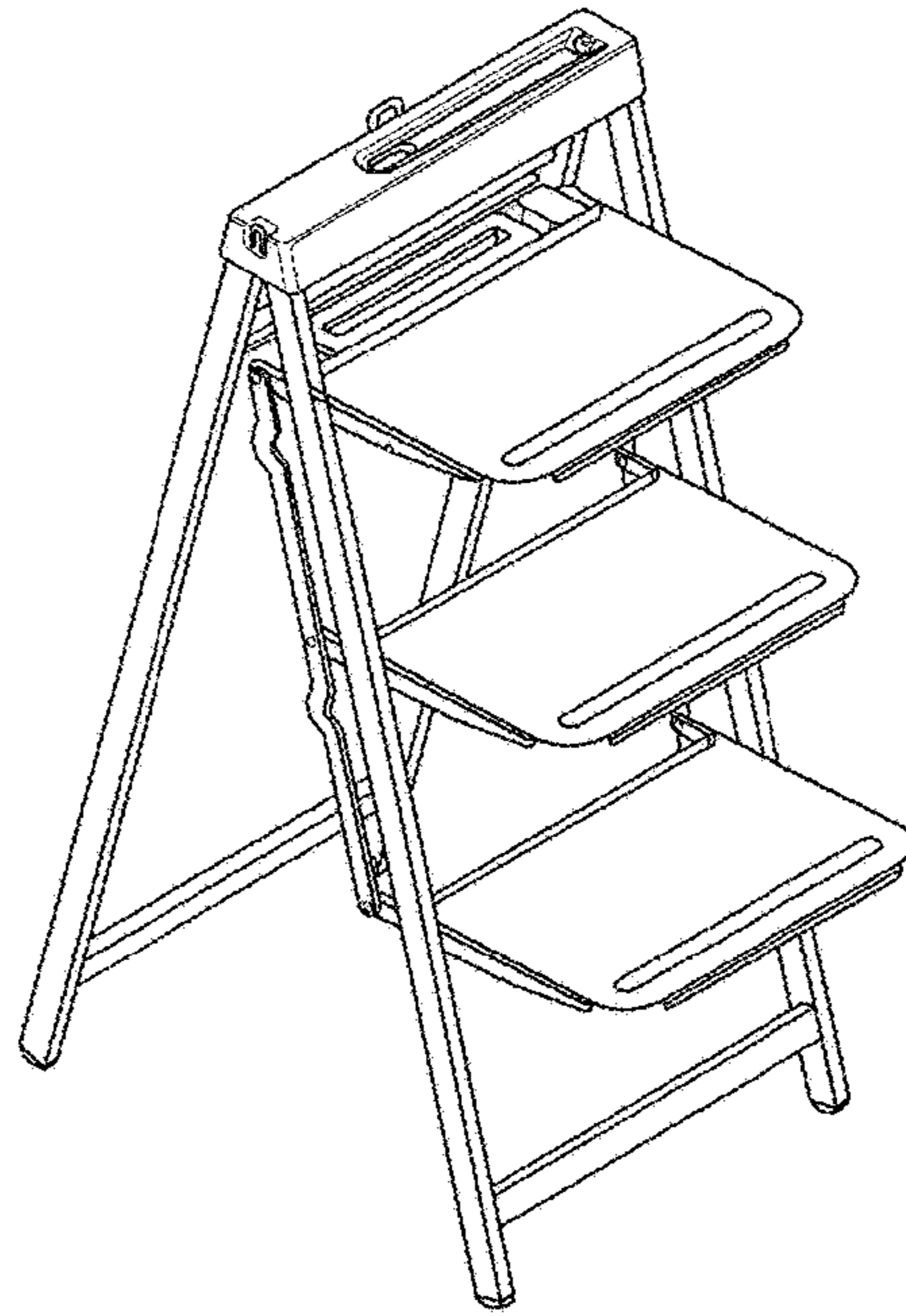


Fig. 1

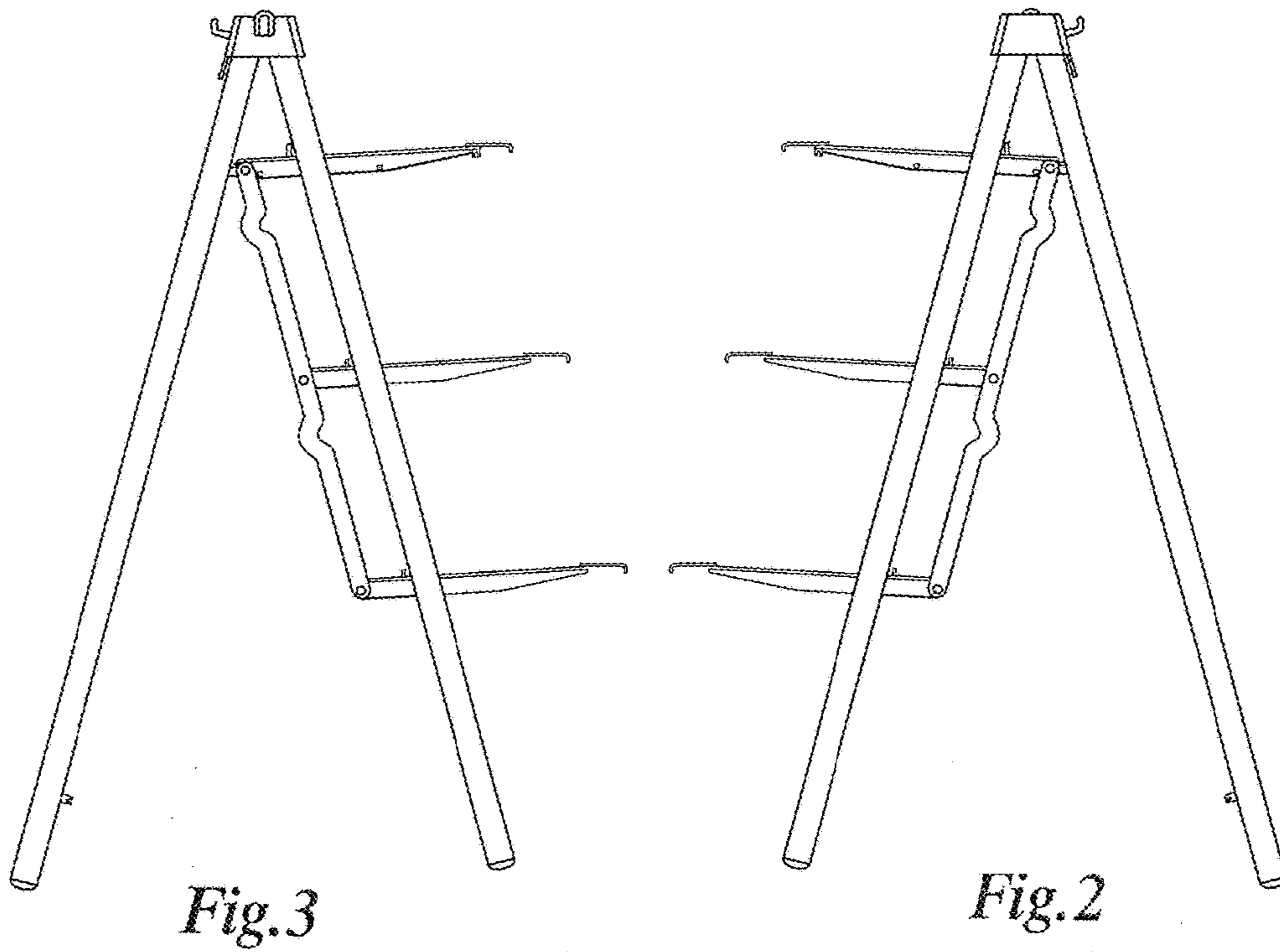


Fig. 3

Fig. 2

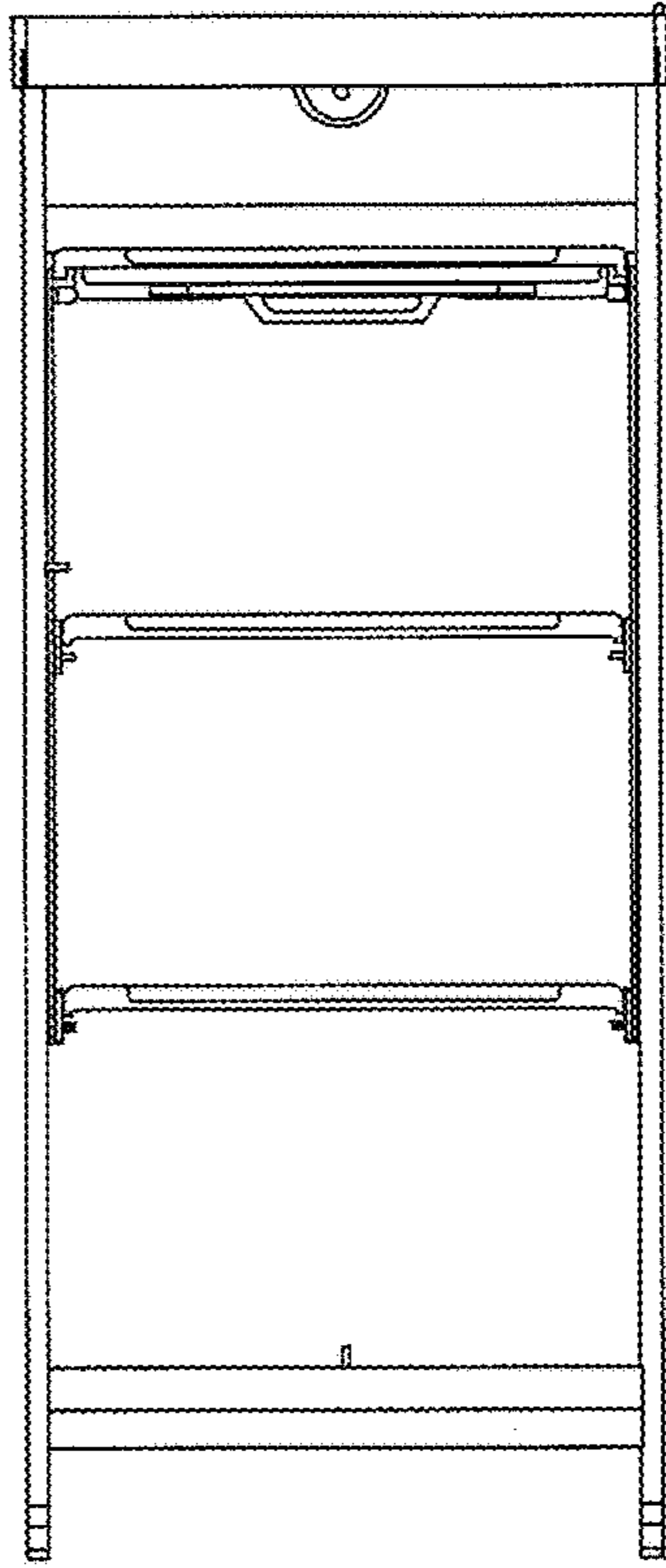


Fig. 5

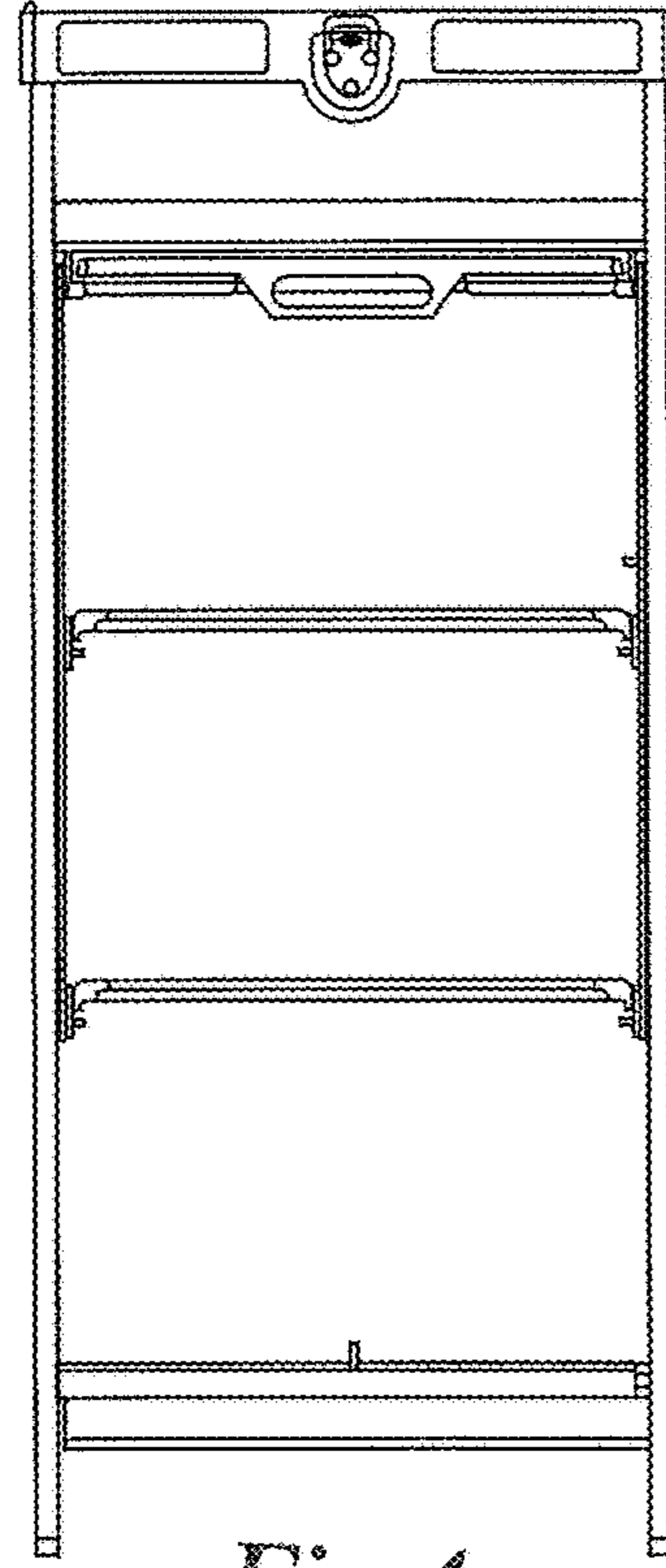


Fig. 4

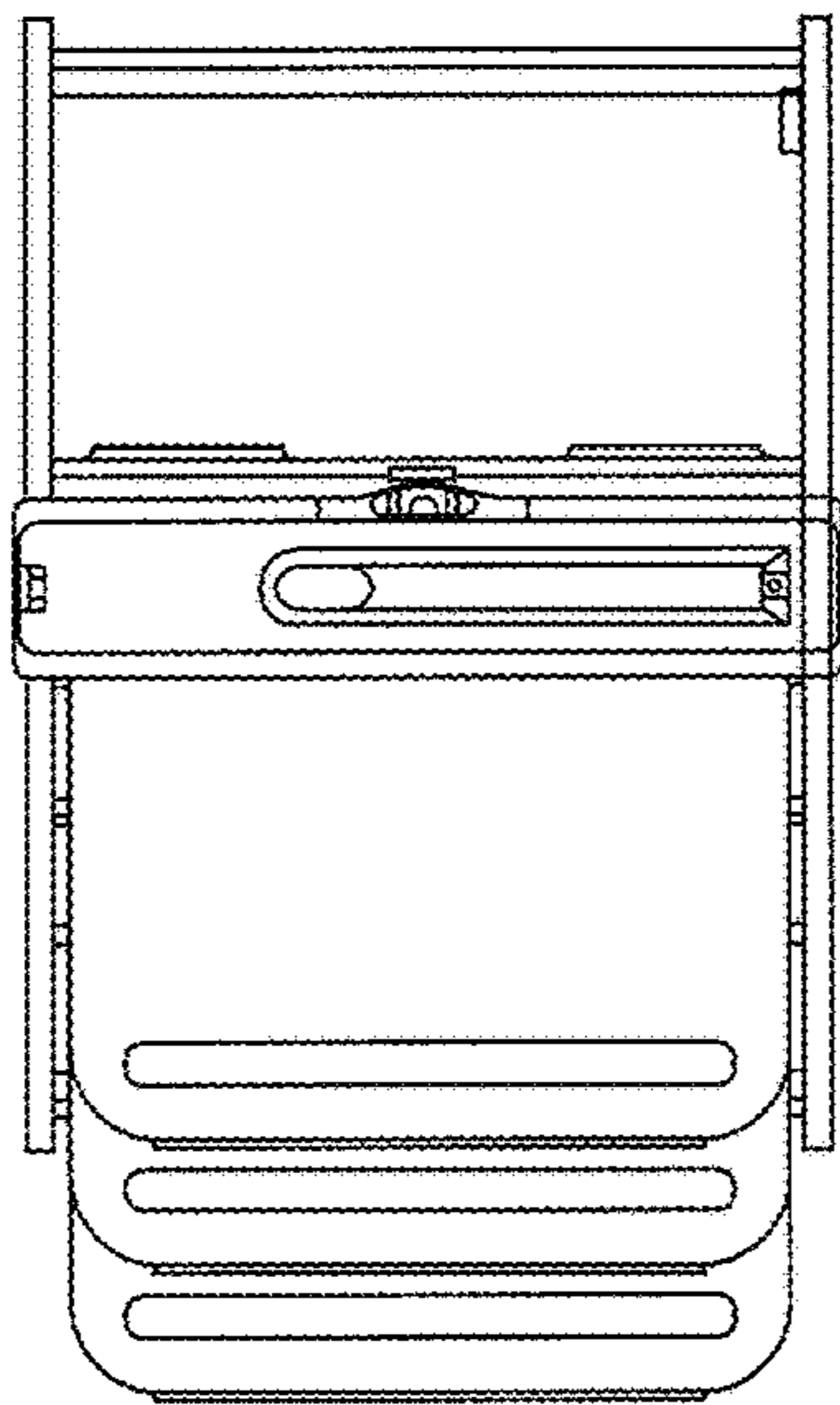


Fig. 6

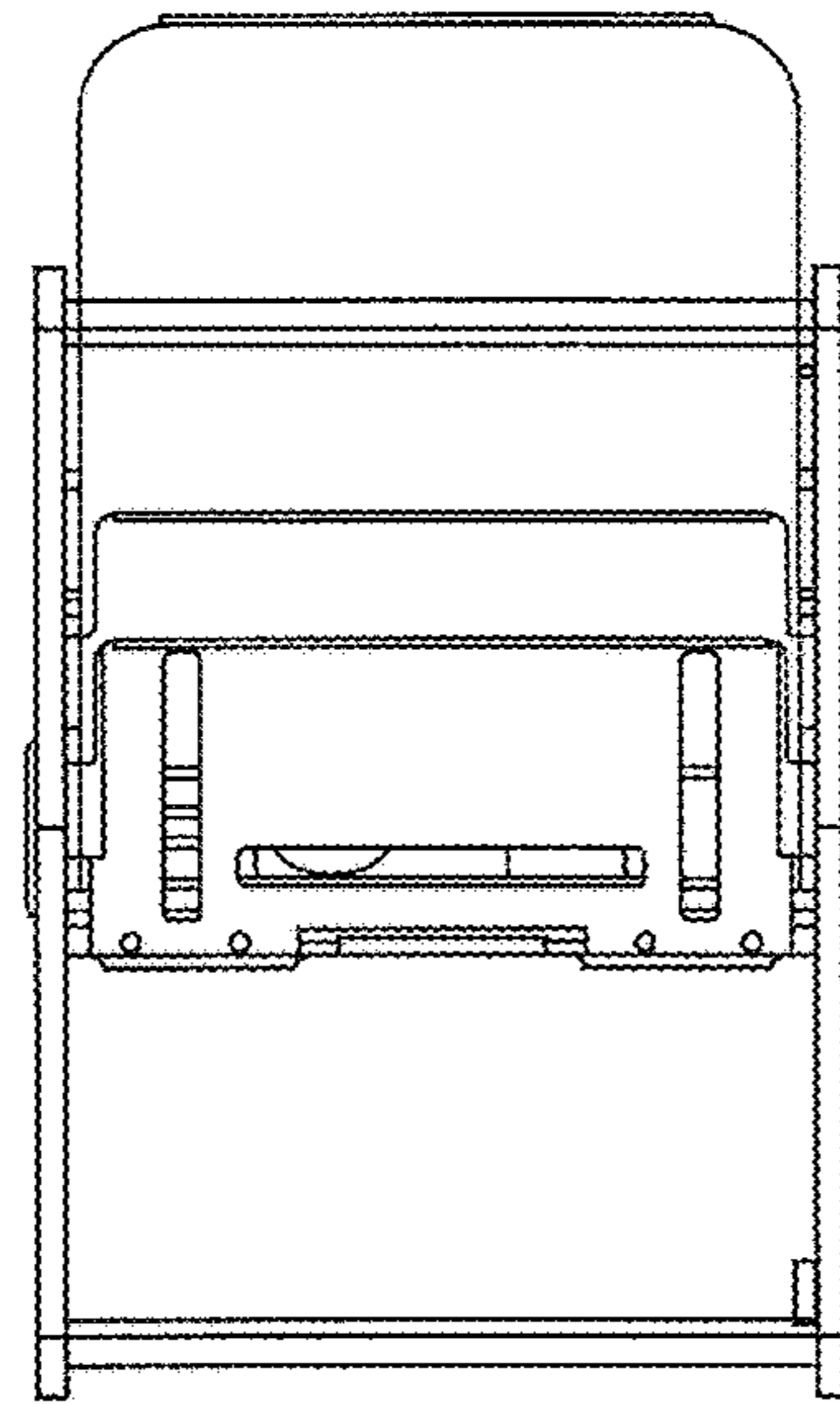


Fig. 7