



US00D785980S

(12) **United States Design Patent** (10) **Patent No.:** **US D785,980 S**  
**Brown et al.** (45) **Date of Patent:** **\*\* May 9, 2017**

(54) **DISPLAY STRUCTURE**  
(71) Applicant: **Apple Inc.**, Cupertino, CA (US)  
(72) Inventors: **Sam Brown**, Sunnyvale, CA (US);  
**Casey Feeney**, Los Gatos, CA (US);  
**Jean-Marc Gady**, Los Altos, CA (US);  
**Christopher M. Green**, Cupertino, CA  
(US); **Kully Kraig Mandon**, San  
Francisco, CA (US); **Stefan Behling**,  
London (GB); **Rafe Bertram**, London  
(GB); **James McGrath**, Cupertino, CA  
(US)

(73) Assignee: **Apple Inc.**, Cupertino, CA (US)  
(\*\*) Term: **15 Years**

(21) Appl. No.: **29/537,128**  
(22) Filed: **Aug. 21, 2015**  
(51) **LOC (10) Cl.** ..... **06-04**  
(52) **U.S. Cl.**  
USPC ..... **D6/675.3**  
(58) **Field of Classification Search**  
USPC ..... D6/657, 661, 672, 673, 675, 675.1,  
D6/675.3, 675.4  
CPC ..... A47F 3/00; A47F 3/005; A47F 5/0018;  
A47F 5/0043; A47F 3/0439; A47B 45/00;  
A47B 57/00; A47B 63/00; A47B 43/00  
See application file for complete search history.

(56) **References Cited**  
U.S. PATENT DOCUMENTS  
D56,348 S \* 10/1920 Fifer ..... D6/675.1  
D80,738 S \* 3/1930 Orr et al. .... D6/675.3  
2,115,048 A \* 4/1938 Stewart ..... A47F 3/0439  
108/92

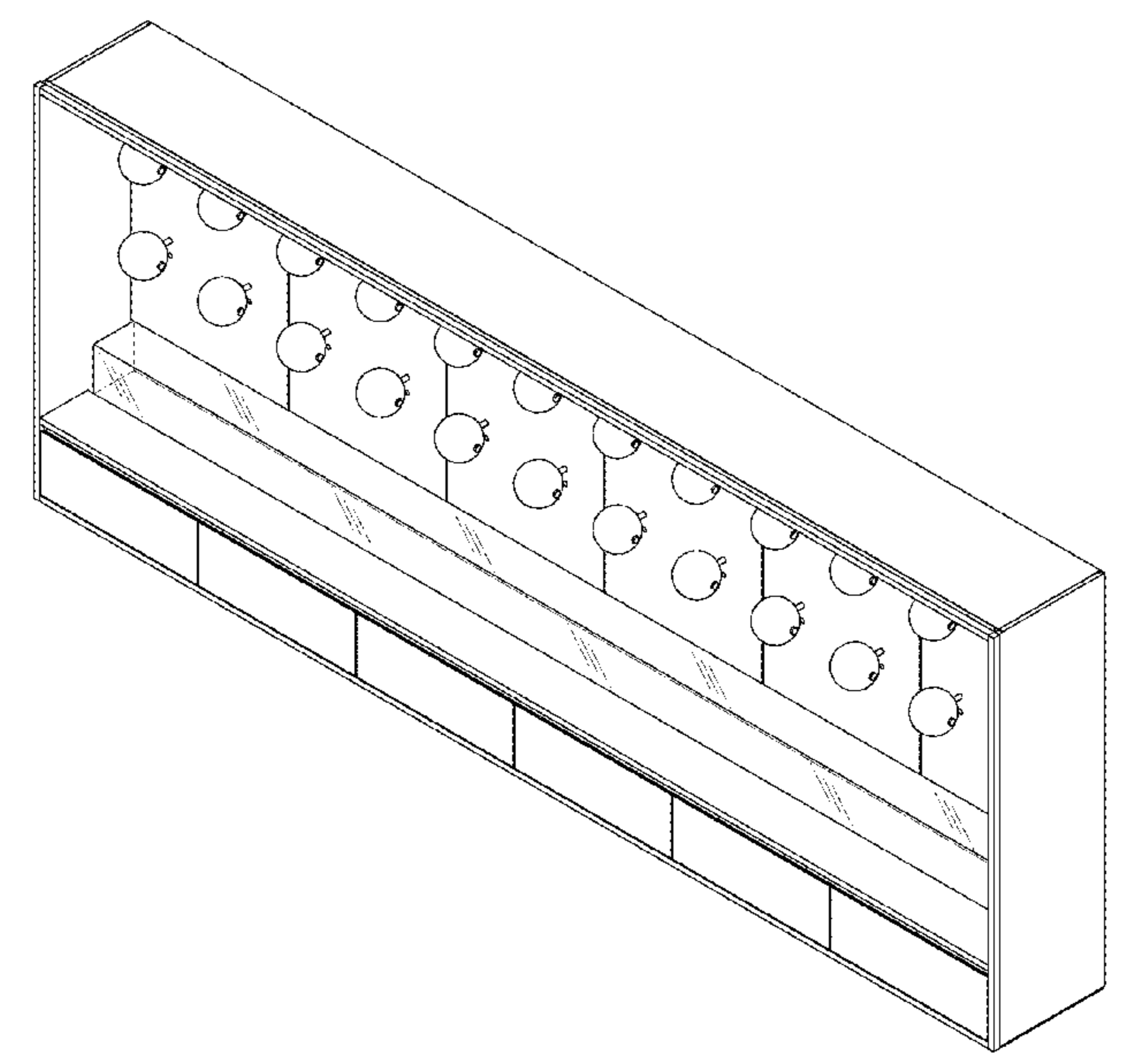
D109,489 S \* 5/1938 Lacy ..... D6/675.1  
D114,674 S \* 5/1939 Gross ..... D6/675.3  
D147,084 S \* 7/1947 Reinecke ..... D6/675.3  
4,025,137 A \* 5/1977 Wyler ..... A47B 45/00  
312/114  
D372,816 S \* 8/1996 Rose ..... D6/675.4  
D439,445 S \* 3/2001 Riga ..... D6/675.3  
D467,450 S \* 12/2002 Trulaske, Sr. .... D6/675  
D541,082 S \* 4/2007 Nomoto ..... D6/675.3  
D641,988 S \* 7/2011 Giroux ..... D6/675  
D757,465 S \* 5/2016 Woelfel ..... D6/672  
D769,021 S 10/2016 Green et al.

\* cited by examiner  
*Primary Examiner* — Mimosa De  
(74) *Attorney, Agent, or Firm* — Sterne, Kessler,  
Goldstein & Fox P.L.L.C.

(57) **CLAIM**  
The ornamental design for a display structure, as shown and  
described.

**DESCRIPTION**  
FIG. 1 is a top right perspective view of a display structure  
showing our new design;  
FIG. 2 is a bottom left perspective view thereof;  
FIG. 3 is a front view thereof;  
FIG. 4 is a rear view thereof;  
FIG. 5 is a left side view thereof;  
FIG. 6 is a right side view thereof;  
FIG. 7 is a top view thereof;  
FIG. 8 is a bottom view thereof; and,  
FIG. 9 is a front view thereof showing the display structure  
in an environment in which it may be used.  
The broken lines in FIG. 9 show environment that forms no  
part of the claimed design.

**1 Claim, 7 Drawing Sheets**



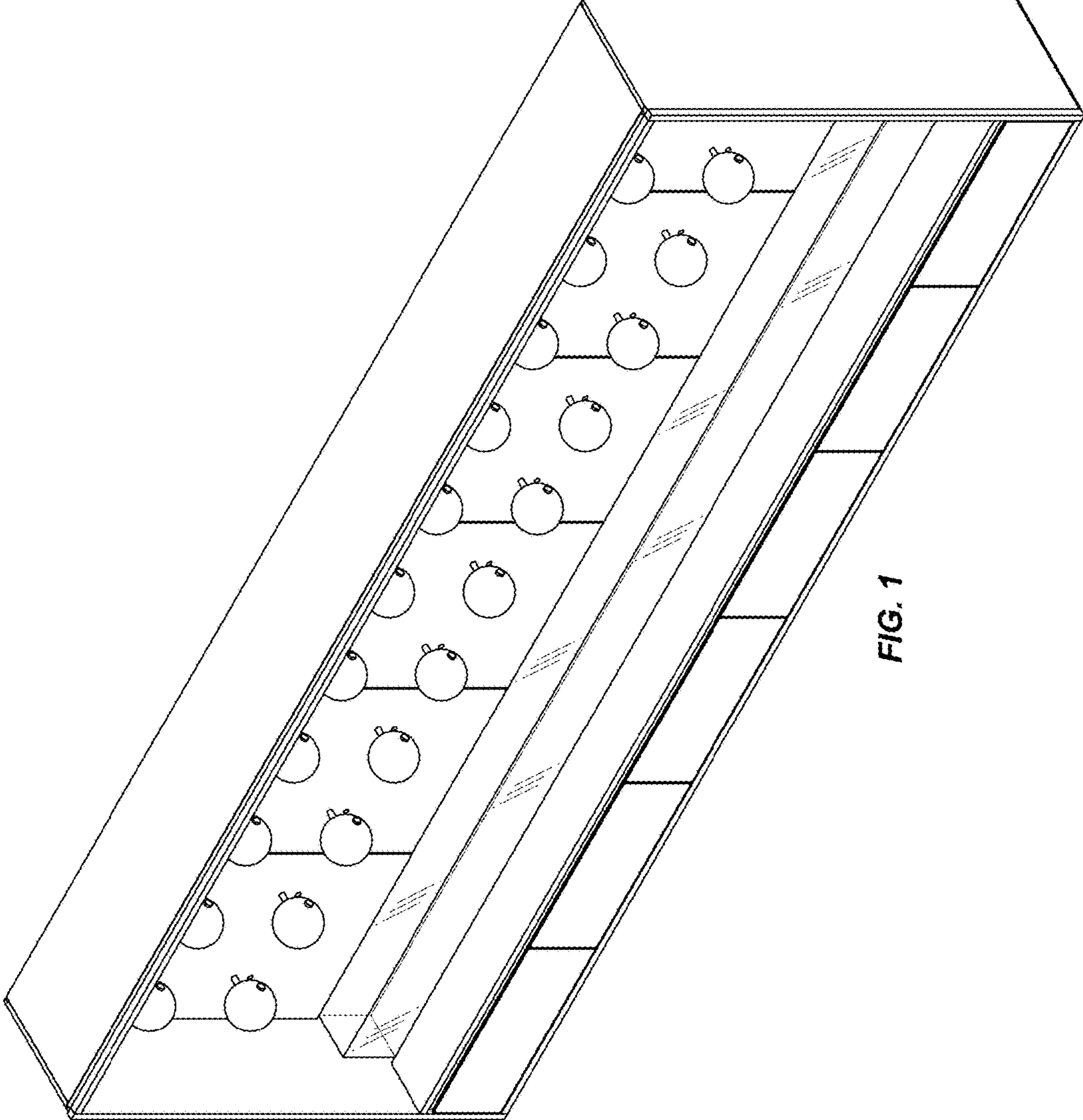


FIG. 1

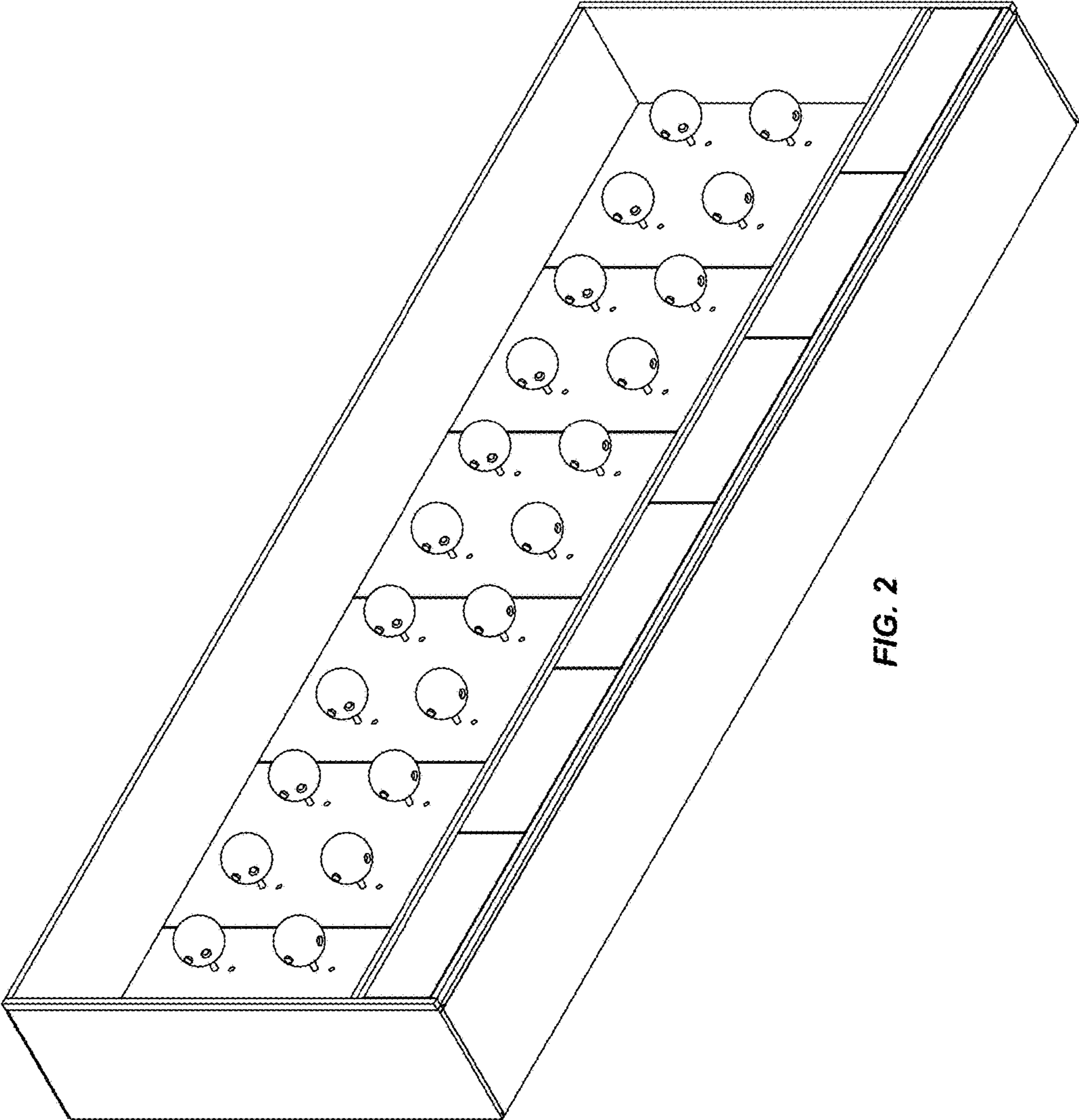


FIG. 2

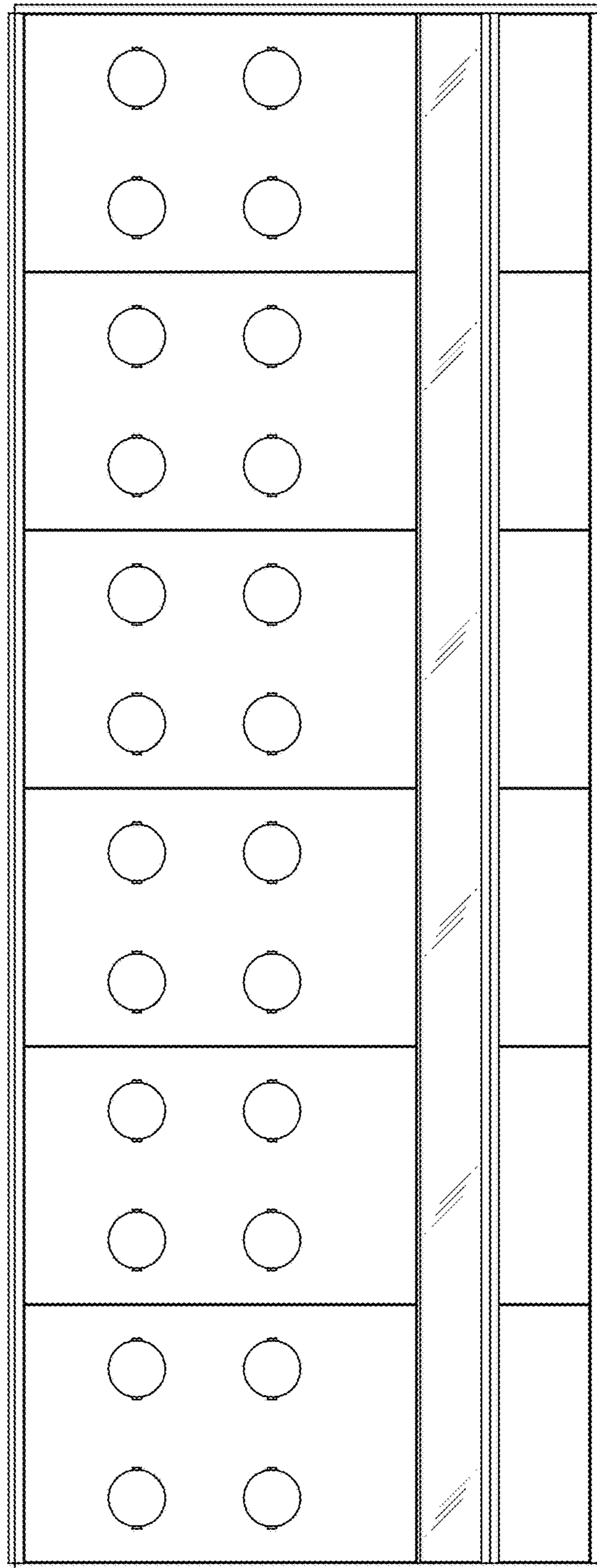


FIG. 3

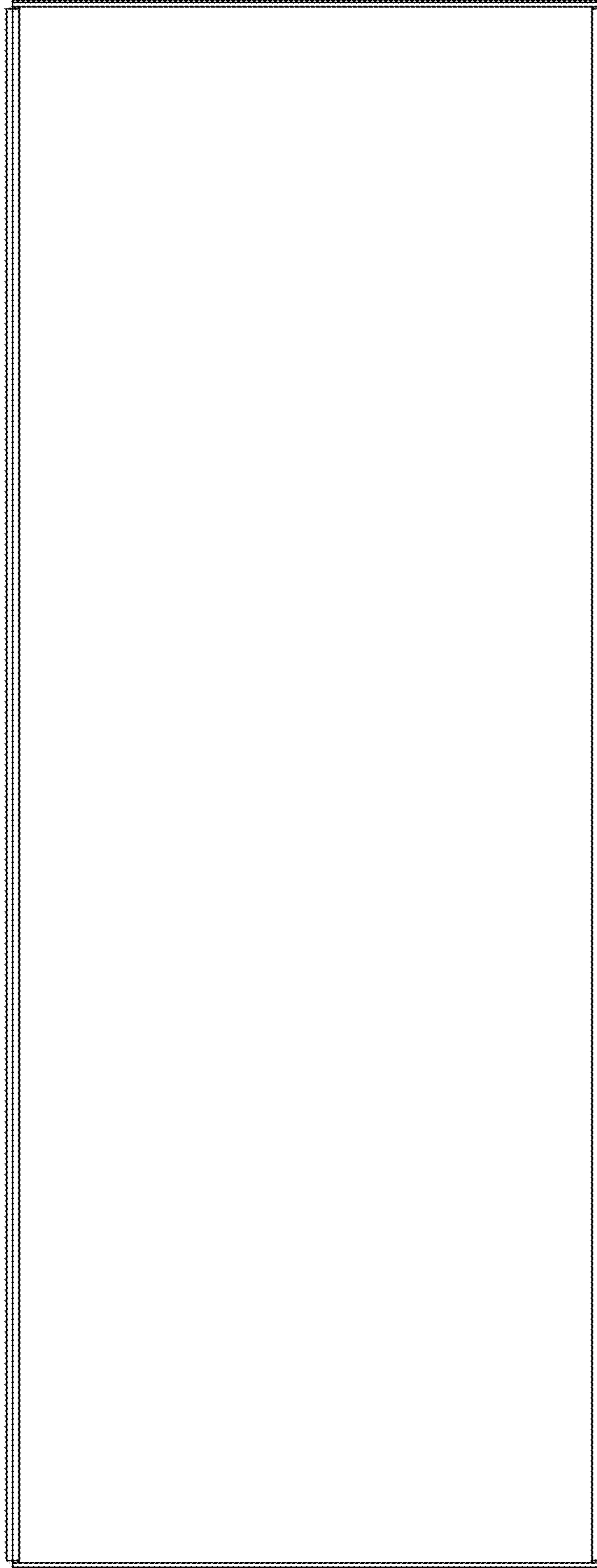
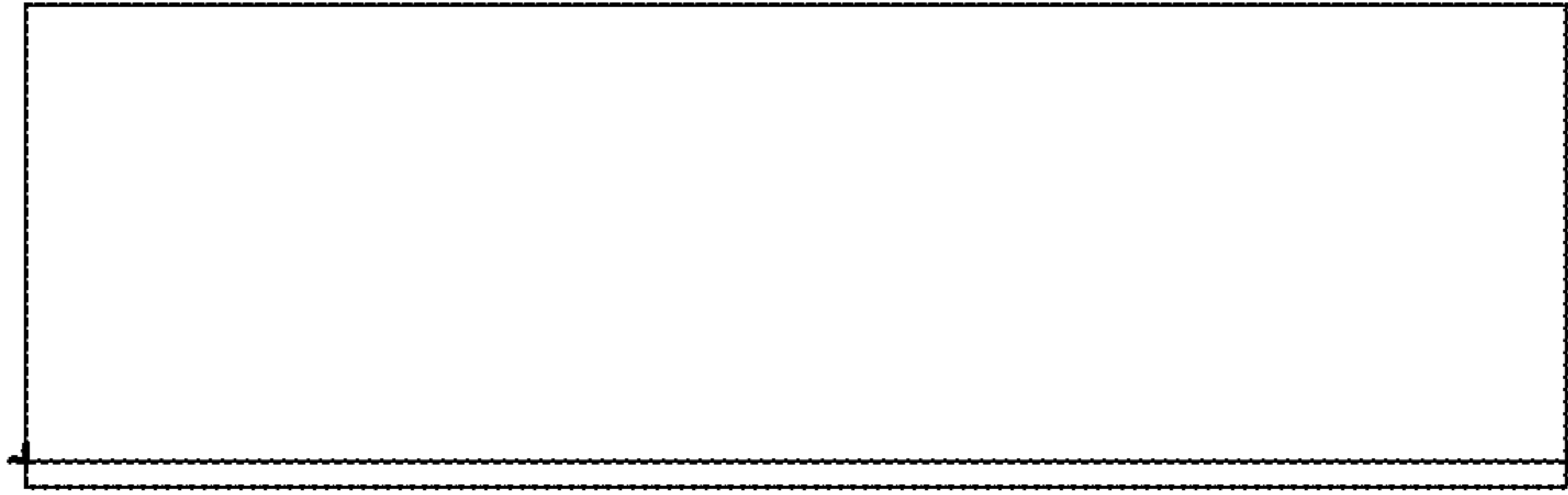
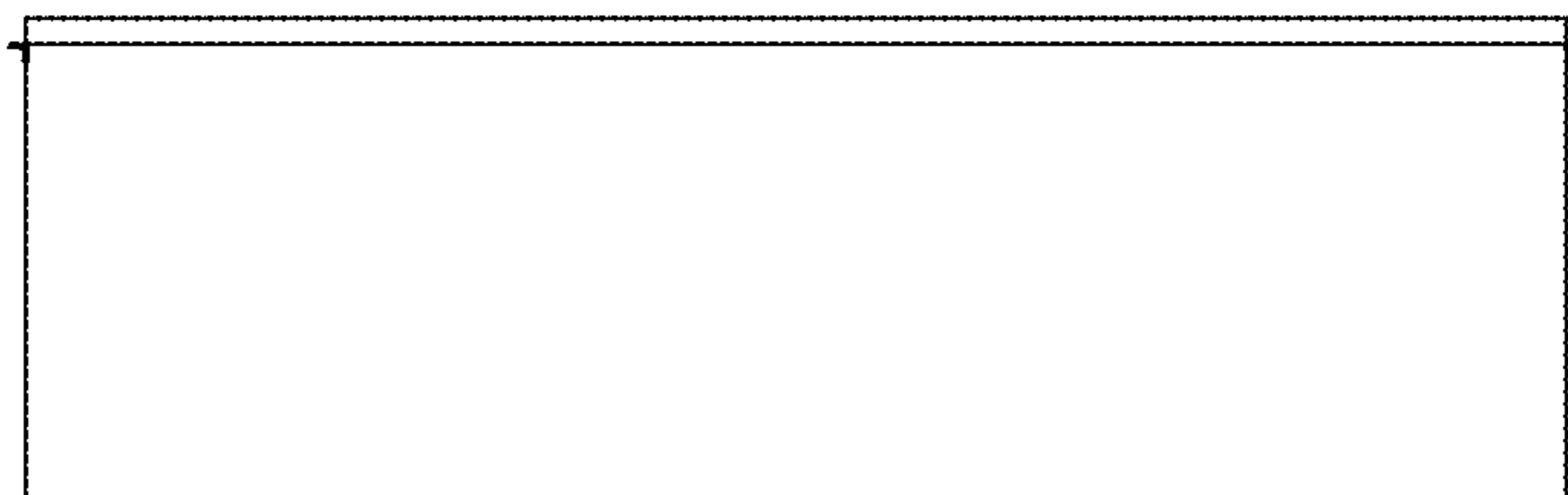


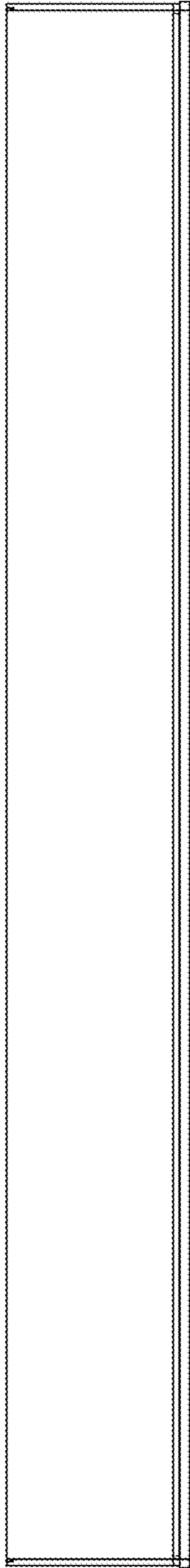
FIG. 4



**FIG. 6**



**FIG. 5**



**FIG. 7**



**FIG. 8**

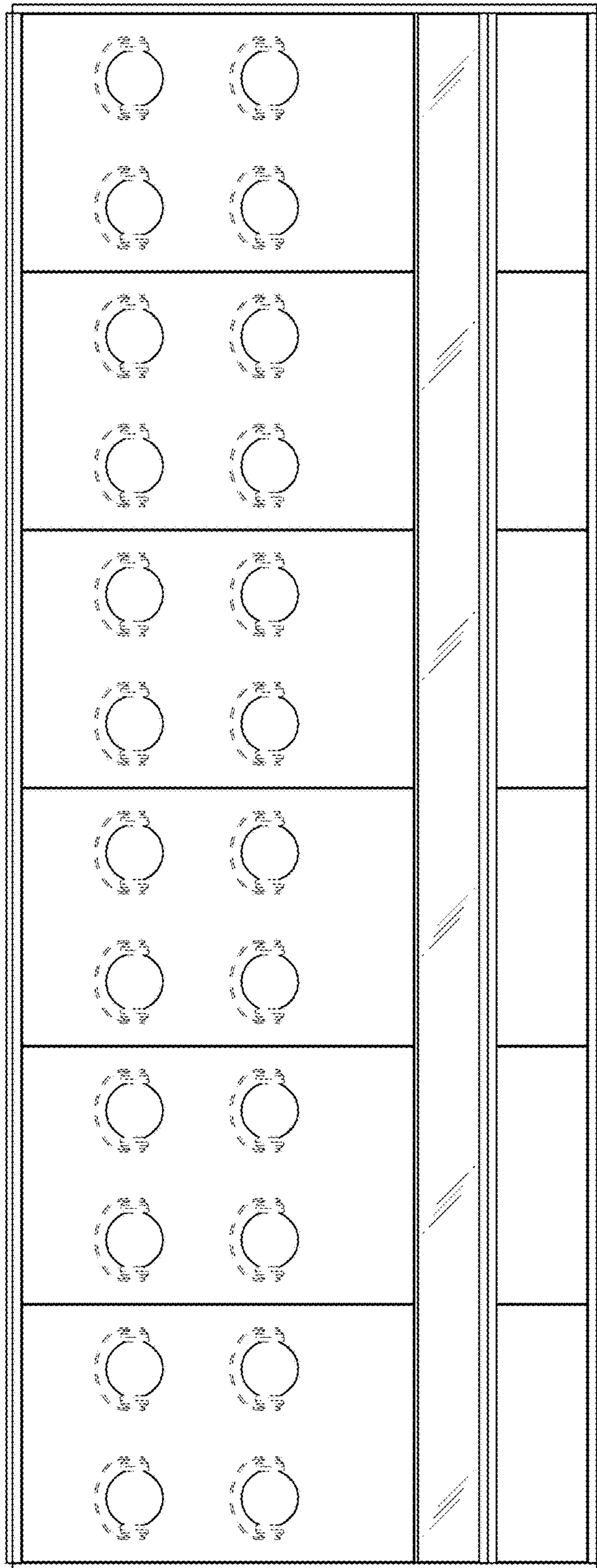


FIG. 9