



US00D785979S

(12) **United States Design Patent**
Snider

(10) **Patent No.:** **US D785,979 S**

(45) **Date of Patent:** **** May 9, 2017**

- (54) **TWO TIER CABINET ORGANIZER**
- (71) Applicant: **MSA Products, Inc.**, Nyack, NY (US)
- (72) Inventor: **Martin Snider**, New City, NY (US)
- (73) Assignee: **MSA Products, Inc.**, Nyack, NY (US)
- (**) Term: **15 Years**
- (21) Appl. No.: **29/542,292**
- (22) Filed: **Oct. 13, 2015**

D491,752 S *	6/2004	Harwanko	D6/678.1
D556,476 S *	12/2007	Butler	D6/675.2
D568,635 S *	5/2008	Klein	D6/675.2
D603,188 S	11/2009	Wang		
7,802,566 B1 *	9/2010	Faught	A47J 33/00 126/30
D650,203 S	12/2011	Klein et al.		
D670,102 S *	11/2012	Duncan	D6/683
D683,567 S	6/2013	Hsu et al.		
D734,914 S	7/2015	Tsai		
D739,681 S	9/2015	Bee		
9,247,809 B1	2/2016	Hsu		
D752,906 S	4/2016	Gunderson et al.		
D764,844 S *	8/2016	Hsu	D6/683.1
2004/0020483 A1 *	2/2004	Chen	F24B 1/022 126/9 R
2005/0121018 A1 *	6/2005	Rosen	F24B 1/182 126/9 R
2009/0205639 A1 *	8/2009	Ip	F24C 3/085 126/9 R

Related U.S. Application Data

- (63) Continuation-in-part of application No. 29/532,330, filed on Jul. 6, 2015.
- (51) **LOC (10) Cl.** **06-04**
- (52) **U.S. Cl.**
USPC **D6/675.1**
- (58) **Field of Classification Search**
USPC D6/570, 675, 675.1-675.4, 678.1-678.4,
D6/680.2-680.3, 683, 708.16; D34/17,
D34/20; 126/9 B, 9 R, 30
CPC A47B 73/00; A47B 73/002; A47B 73/004;
A47B 47/00; A47B 47/0058; A47B
47/008; A47B 47/25; A47F 5/00; A47F
5/0056; A47F 5/0062; B65D 21/0211
See application file for complete search history.

References Cited

U.S. PATENT DOCUMENTS

D207,437 S	4/1967	Oliver		
D301,790 S *	6/1989	Ivano	D34/17
D362,138 S *	9/1995	Sagol	D6/675.1
D429,582 S *	8/2000	Grosfillex	D6/675.1
D450,481 S	11/2001	Post		
D458,791 S *	6/2002	Harwanko	D6/570
D471,381 S	3/2003	Yamaguchi		
D491,751 S *	6/2004	Harwanko	D6/675.1

(Continued)

Primary Examiner — Manpreet Matharu

Assistant Examiner — Keith Wilson

(74) *Attorney, Agent, or Firm* — Gerald E. Hespos;
Michael J. Porco; Matthew T. Hespos

(57) **CLAIM**

The ornamental design for a two tier cabinet organizer, as shown and described.

DESCRIPTION

FIG. 1 is a perspective view of a two tier cabinet organizer in accordance with my design.

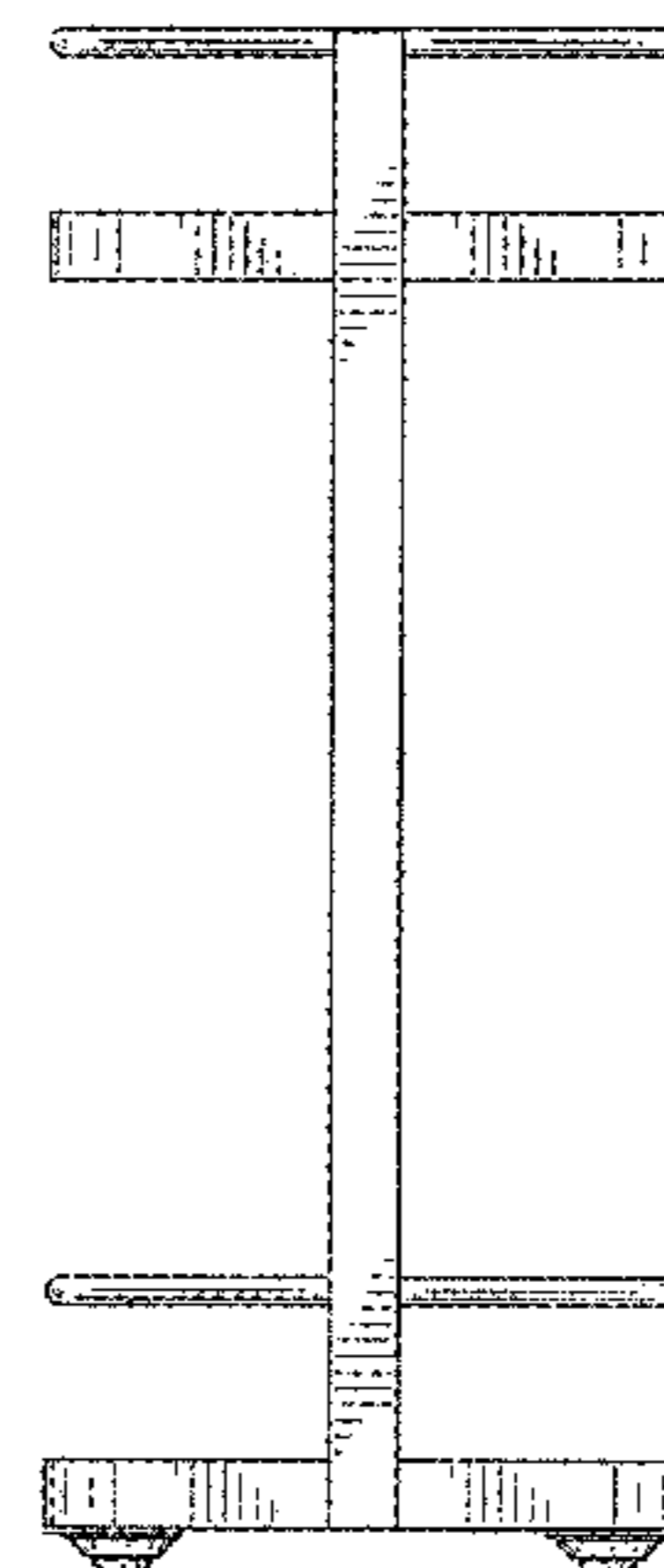
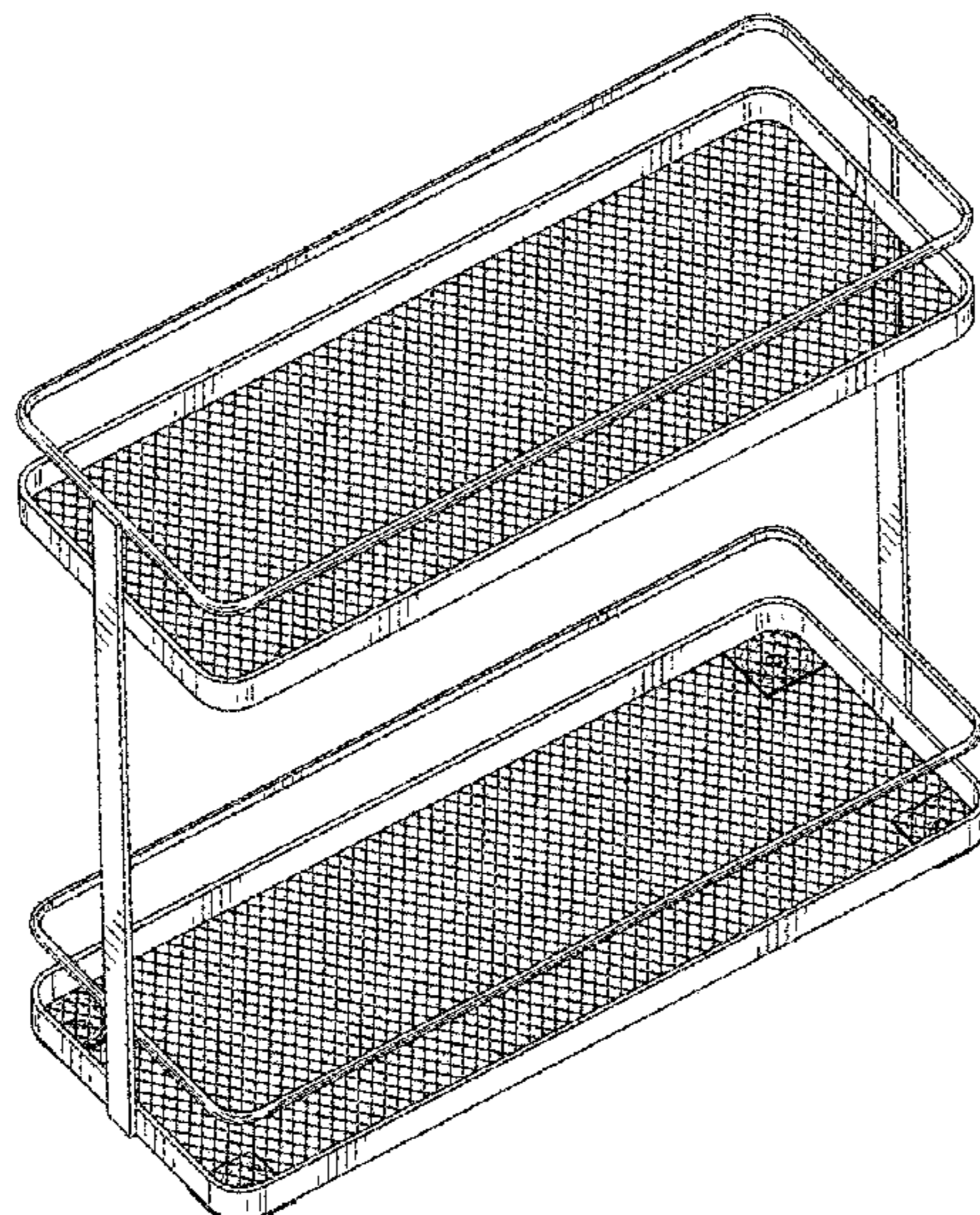
FIG. 2 is a front elevational view thereof, with the rear elevational view being identical;

FIG. 3 is a left side elevational view thereof, with the right side elevational view being identical;

FIG. 4 is a top plan view; and,

FIG. 5 is a bottom plan view.

1 Claim, 5 Drawing Sheets



(56)

References Cited

U.S. PATENT DOCUMENTS

2010/0288717 A1 11/2010 Morandi
2011/0168168 A1* 7/2011 Schneider A47J 33/00
126/9 B

* cited by examiner

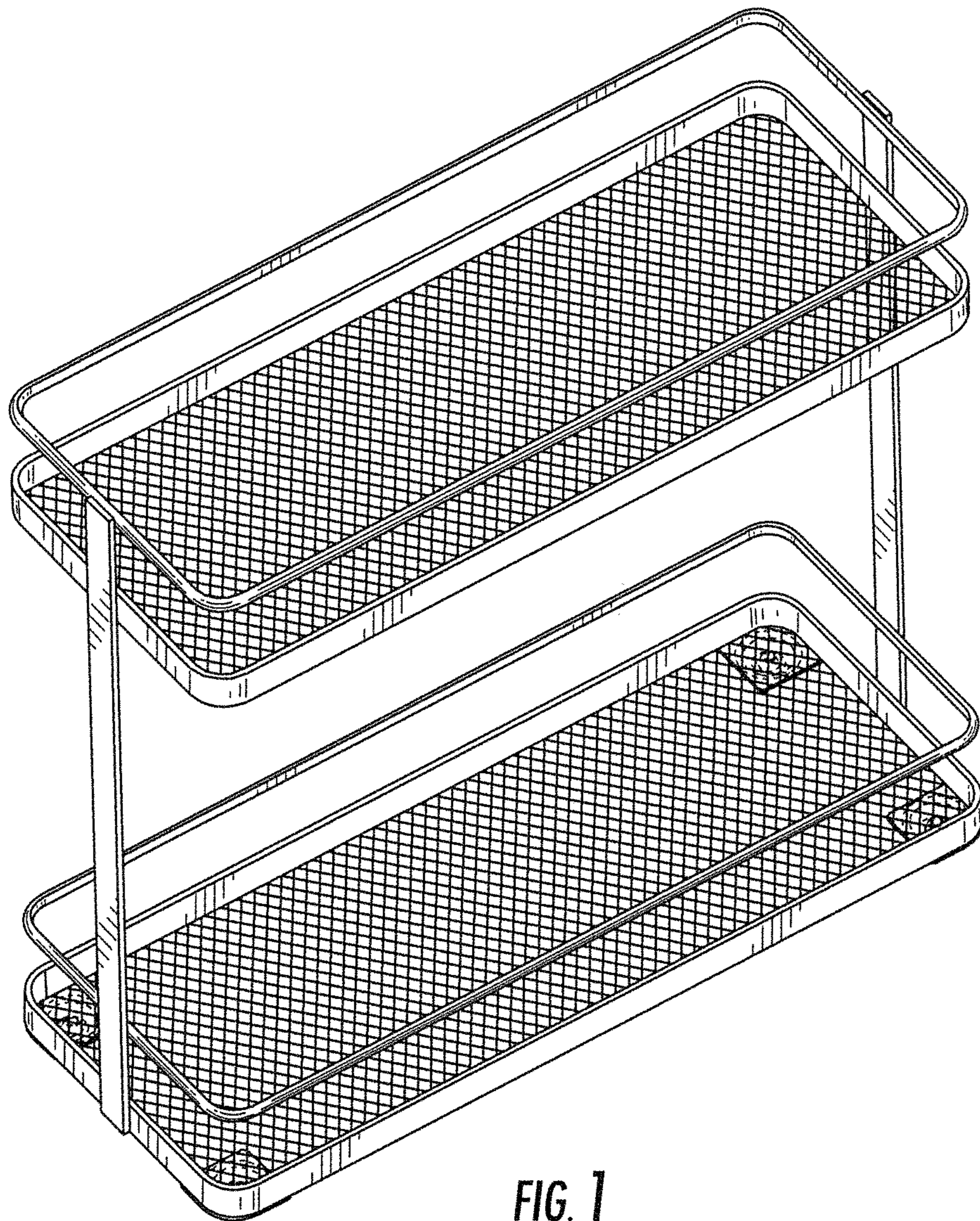


FIG. 1

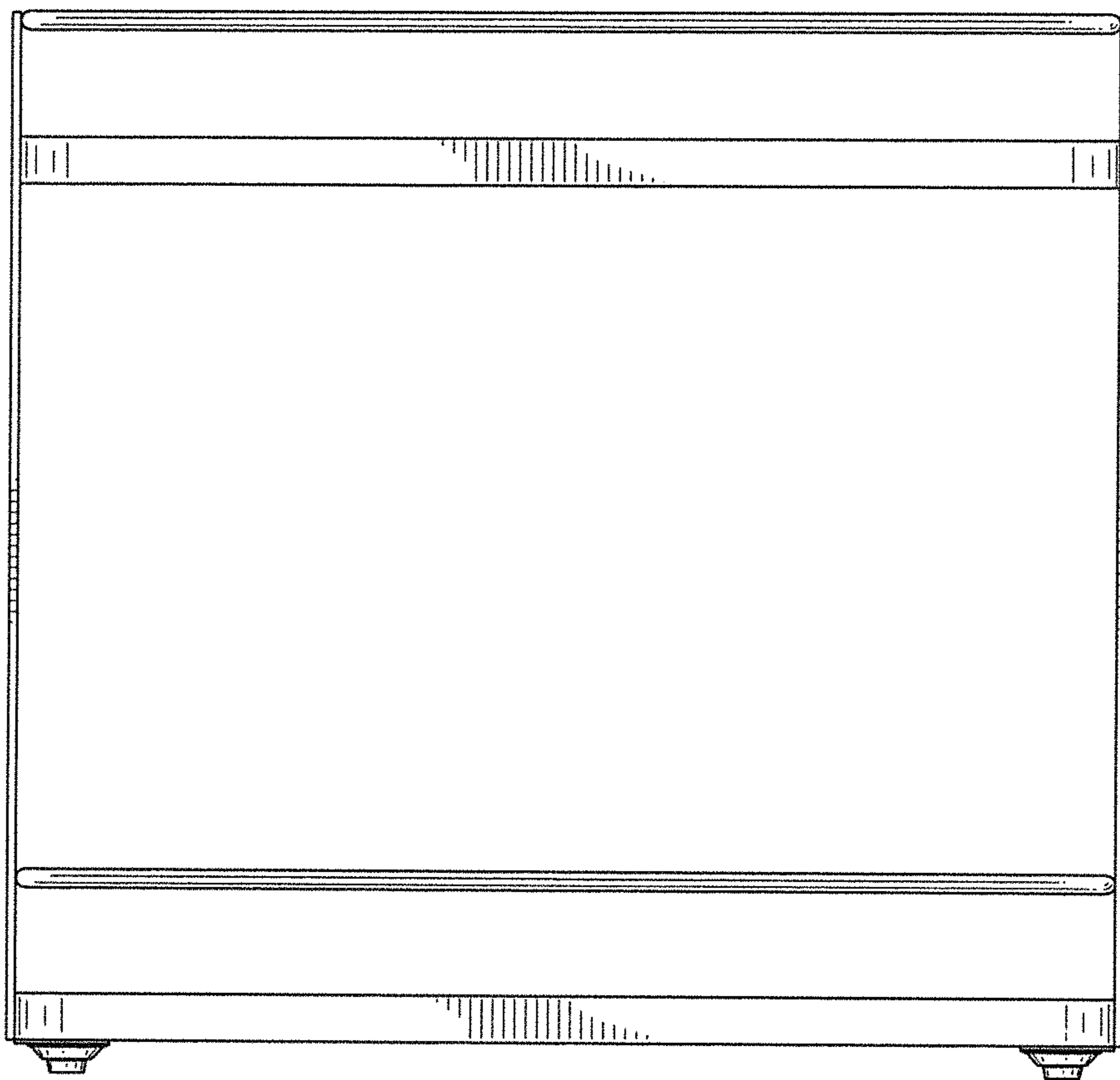


FIG. 2

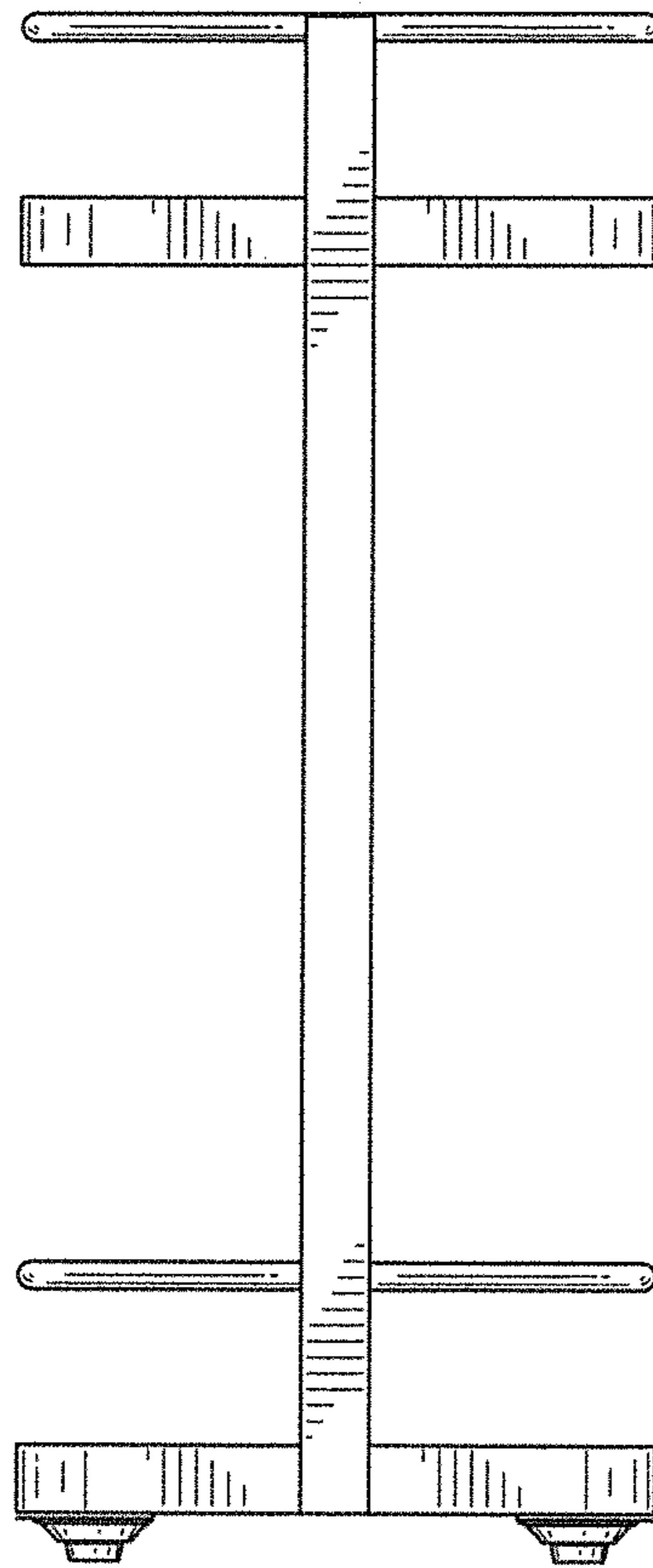


FIG. 3

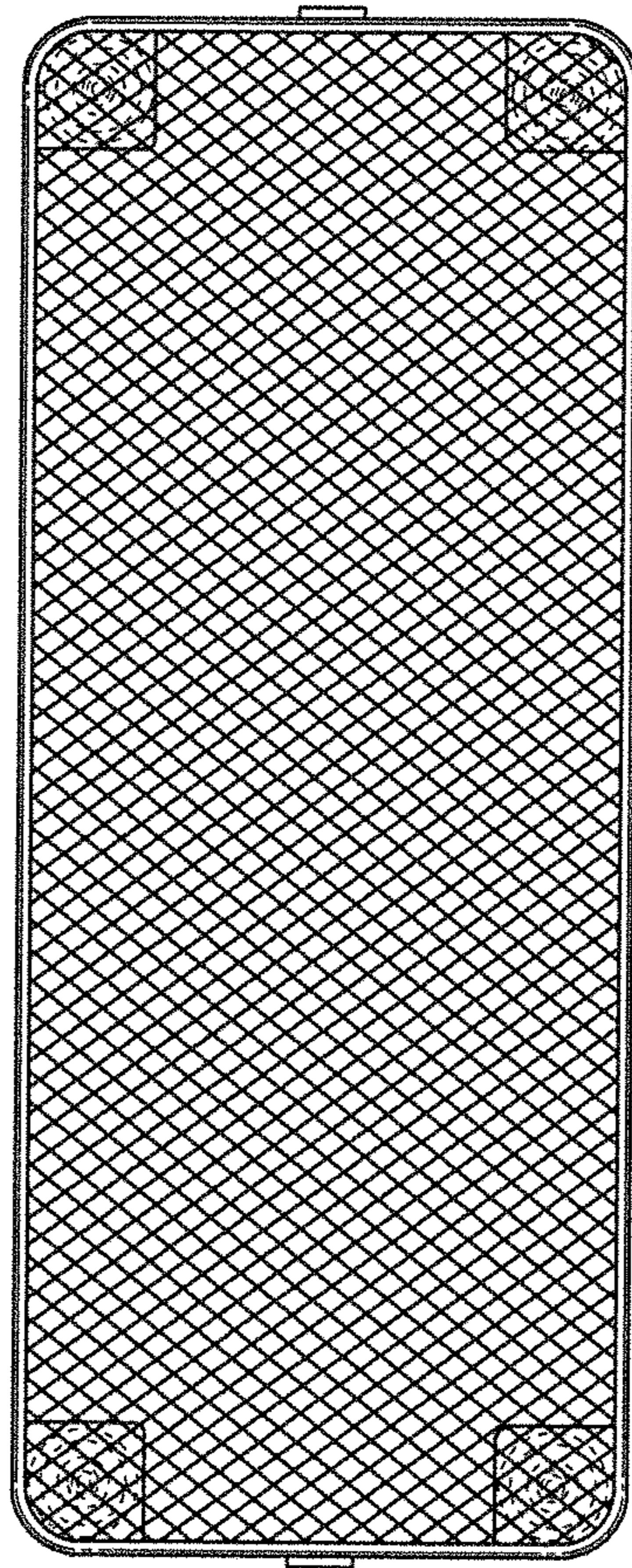


FIG. 4

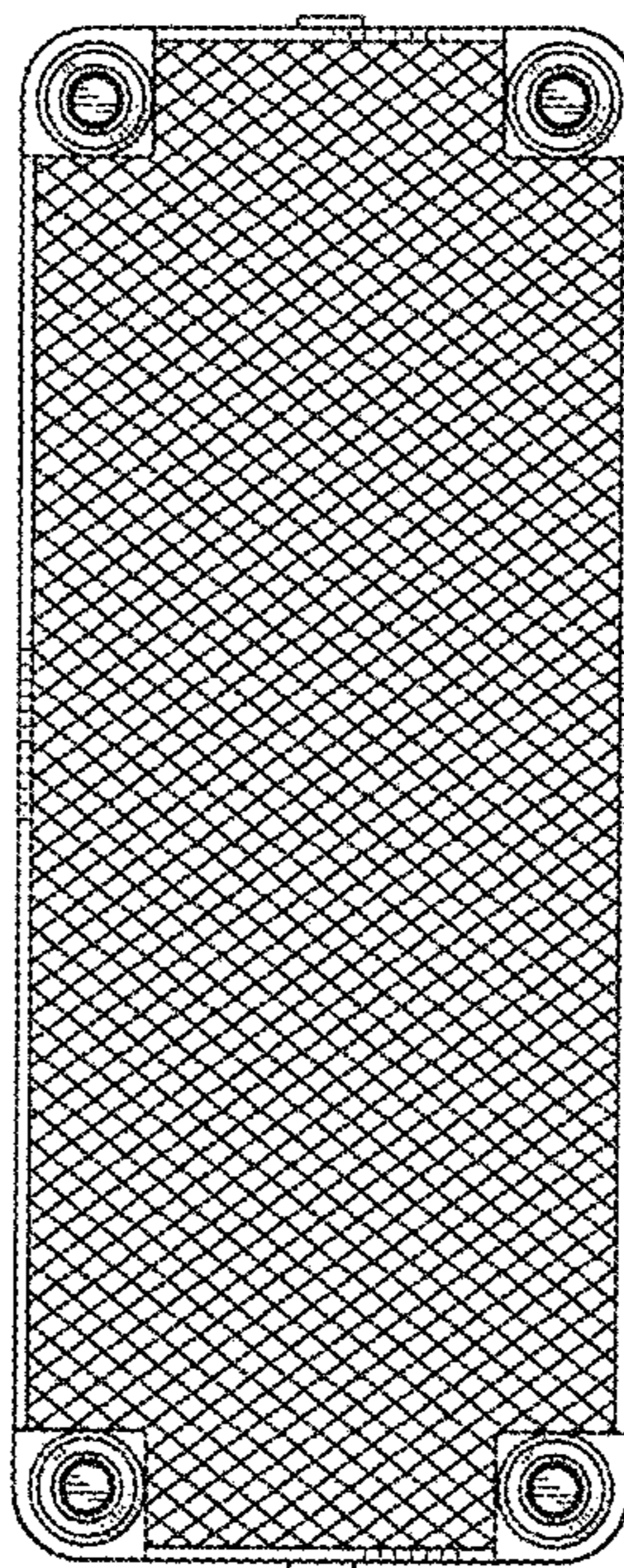


FIG. 5