



US00D785978S

(12) **United States Design Patent** (10) **Patent No.:** **US D785,978 S**
Brown et al. (45) **Date of Patent:** **** May 9, 2017**

(54) **DISPLAY STRUCTURE**
(71) Applicant: **Apple Inc.**, Cupertino, CA (US)
(72) Inventors: **Sam Brown**, Sunnyvale, CA (US);
Casey Feeney, Los Gatos, CA (US);
Jean-Marc Gady, Los Altos, CA (US);
Christopher M. Green, Cupertino, CA
(US); **Kully Kraig Mandon**, San
Francisco, CA (US)
(73) Assignee: **Apple Inc.**, Cupertino, CA (US)
(**) Term: **15 Years**
(21) Appl. No.: **29/537,122**
(22) Filed: **Aug. 21, 2015**
(51) **LOC (10) Cl.** **06-04**
(52) **U.S. Cl.**
USPC **D6/675.1**
(58) **Field of Classification Search**
USPC D6/657, 672, 673, 675, 675.1
CPC A47F 5/0018; A47F 5/0043; A47F 5/0846;
A47B 45/00; A47B 57/00; A47B 63/00;
A47B 43/00
See application file for complete search history.

(56) **References Cited**
U.S. PATENT DOCUMENTS
4,116,509 A 9/1978 Smith
4,193,650 A * 3/1980 Gray A47B 45/00
312/257.1
D265,618 S * 8/1982 Robertson D6/675.1
D290,204 S 6/1987 Bruget
D314,877 S * 2/1991 Bush D6/675.1
D321,100 S 10/1991 Dorrell
D329,155 S * 9/1992 Schremmer D6/675.1
D342,846 S * 1/1994 Stefanowicz D6/675.1
D354,638 S 1/1995 Todd et al.
D365,947 S 1/1996 Howard

D389,345 S * 1/1998 Grosfillex D6/675.1
D398,462 S 9/1998 Baluk et al.
6,170,678 B1 1/2001 de la Fuente
D439,445 S 3/2001 Riga et al.
D440,078 S * 4/2001 Carrabba D6/675.1
D442,796 S 5/2001 Brozak, Jr.
D495,901 S * 9/2004 Bosman D6/675.1
D521,275 S 5/2006 Dusenberry
D538,068 S 3/2007 Newhouse et al.
D538,556 S 3/2007 Arias
D554,907 S * 11/2007 Edison D6/675.1
D554,908 S * 11/2007 Edison D6/675.1
D576,426 S 9/2008 Yuen-Schat et al.
D590,630 S 4/2009 Singler et al.
D591,079 S 4/2009 Singler et al.
D591,979 S 5/2009 Singler et al.
D592,422 S 5/2009 Rheault
D593,775 S 6/2009 Singler et al.
D607,669 S 1/2010 Trinh et al.
D607,670 S 1/2010 Trinh et al.
D610,832 S 3/2010 Rheault
D632,903 S 2/2011 Paul

(Continued)

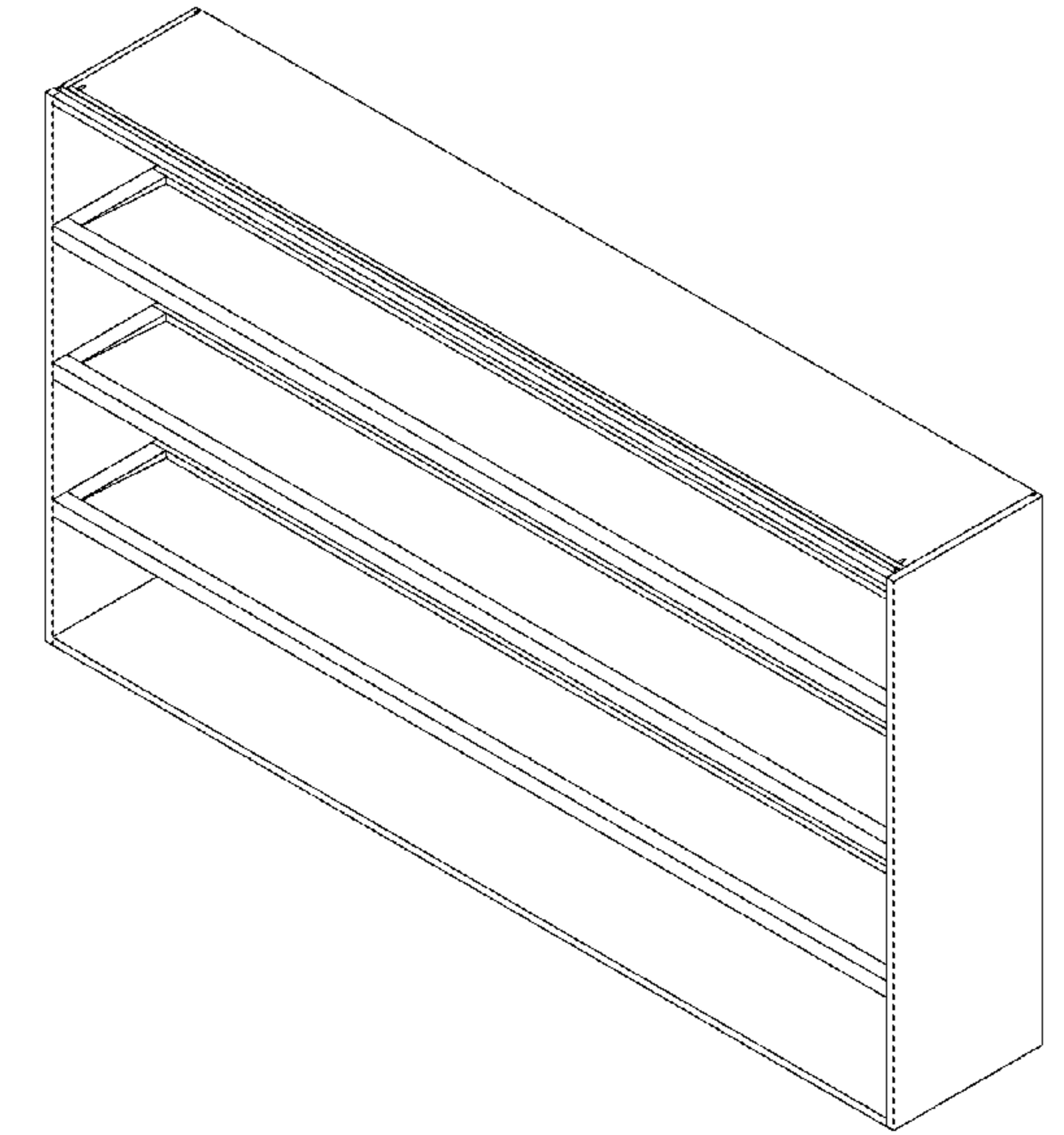
Primary Examiner — Mimosa De
(74) *Attorney, Agent, or Firm* — Sterne, Kessler,
Goldstein & Fox P.L.L.C.

(57) **CLAIM**
The ornamental design for a display structure, as shown and
described.

DESCRIPTION

FIG. 1 is a top right perspective view of a display structure
showing our new design;
FIG. 2 is a front view thereof;
FIG. 3 is a rear view thereof;
FIG. 4 is a left side view thereof;
FIG. 5 is a right side view thereof;
FIG. 6 is a top view thereof; and,
FIG. 7 is a bottom view thereof.

1 Claim, 5 Drawing Sheets



(56)

References Cited

U.S. PATENT DOCUMENTS

D637,421	S	5/2011	Theisen et al.	
D637,422	S	5/2011	Theisen et al.	
D641,989	S	7/2011	Giroux et al.	
D641,992	S	7/2011	Giroux et al.	
D642,824	S	8/2011	Theisen et al.	
D644,039	S	8/2011	Naples et al.	
D646,503	S	10/2011	Fiori	
D648,783	S	11/2011	Mathea	
D649,192	S	11/2011	Beukema et al.	
D657,978	S	4/2012	Hamm et al.	
D661,922	S	6/2012	Mitri	
D678,969	S	3/2013	Oldknow et al.	
D679,521	S	4/2013	Hamm et al.	
D680,350	S	4/2013	Peake-Atkins et al.	
D691,838	S *	10/2013	Hinkle	D6/675.1
D693,156	S	11/2013	Hamm et al.	
D728,283	S *	5/2015	Weshler	D6/675.1
2005/0279033	A1	12/2005	Faber et al.	
2007/0170823	A1	7/2007	Stannis et al.	

* cited by examiner

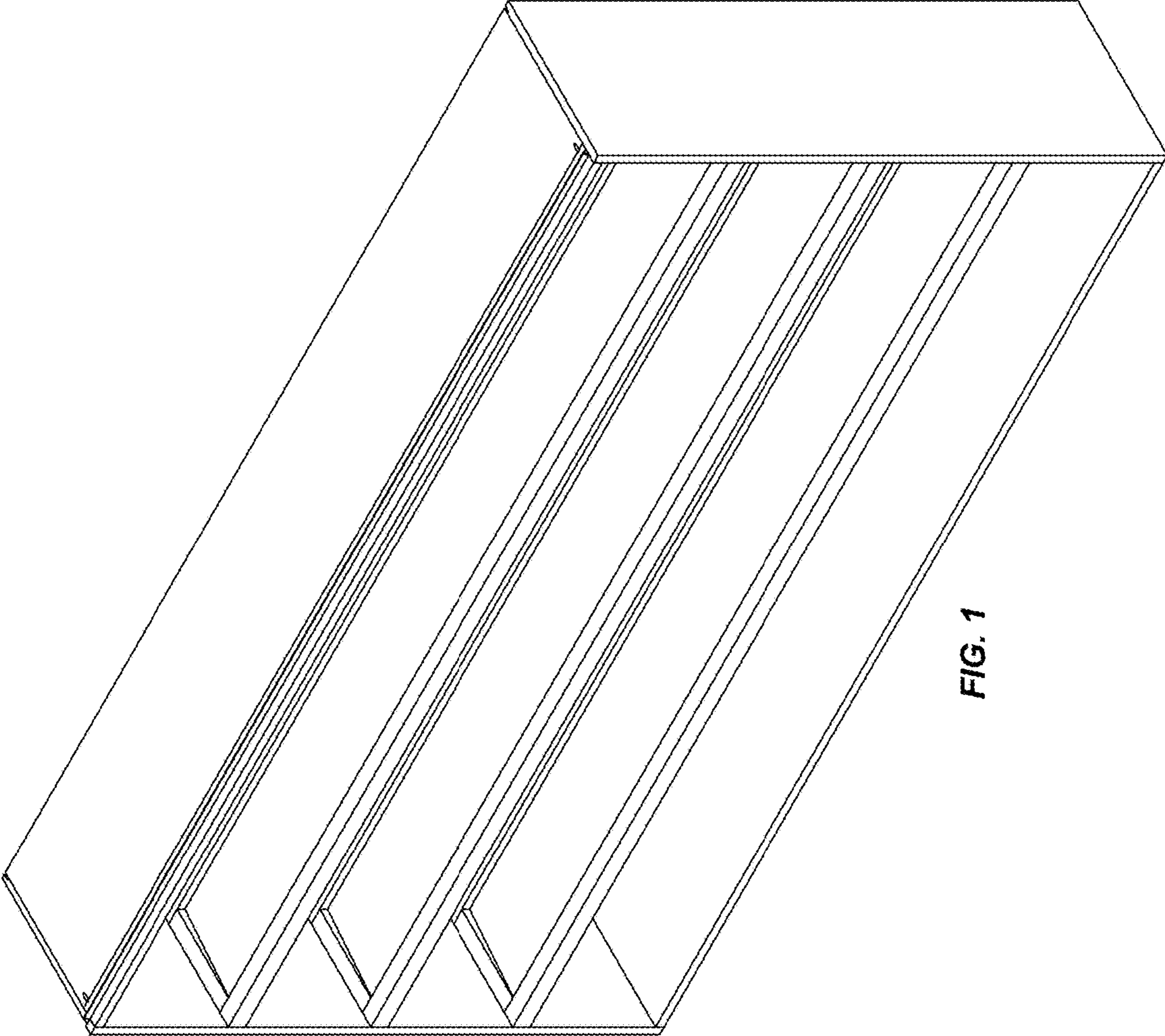


FIG. 1

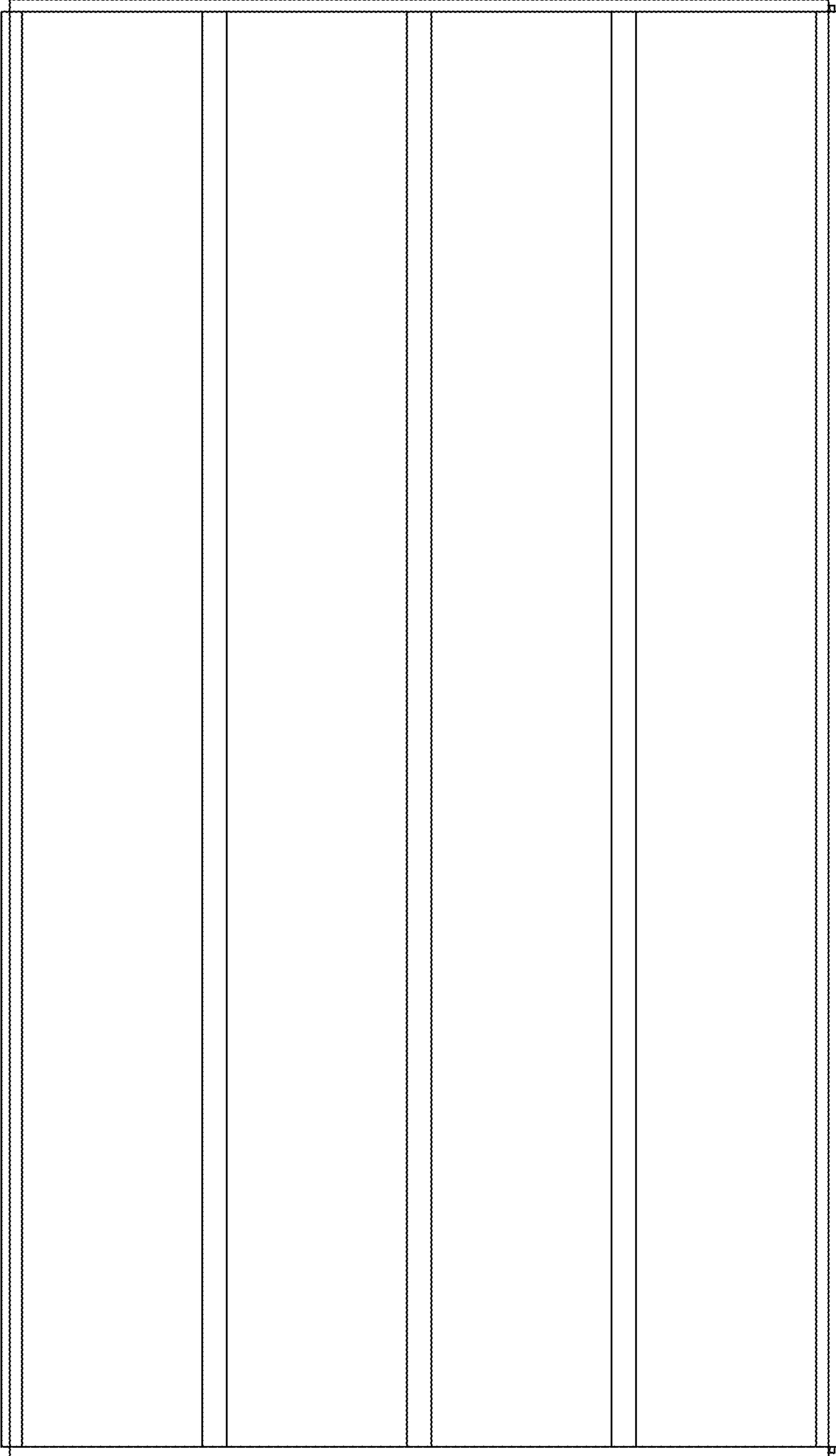


FIG. 2

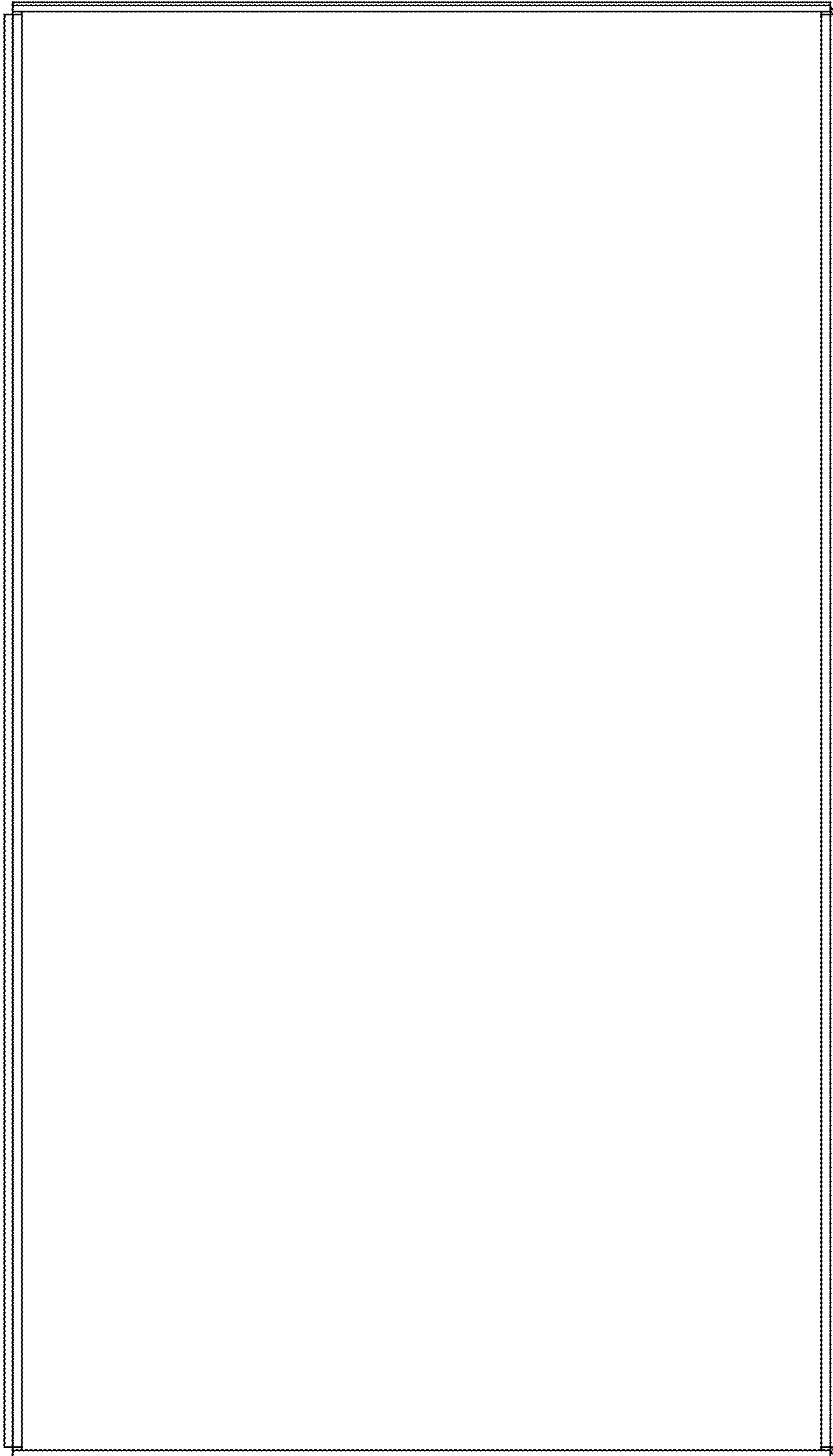


FIG. 3

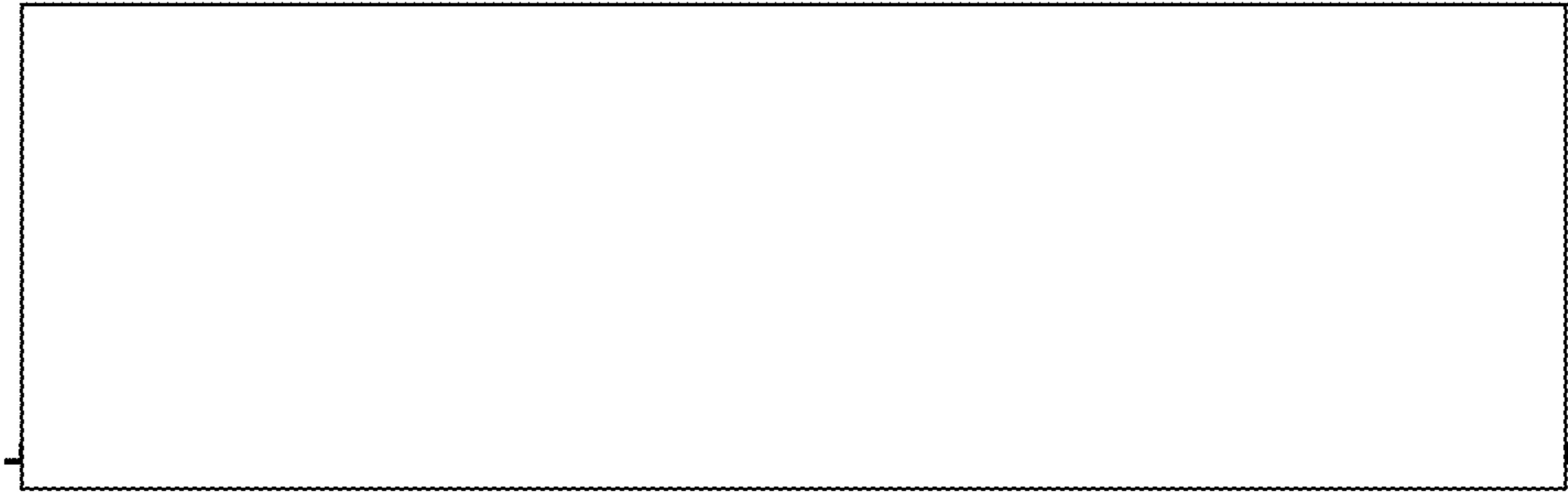


FIG. 5

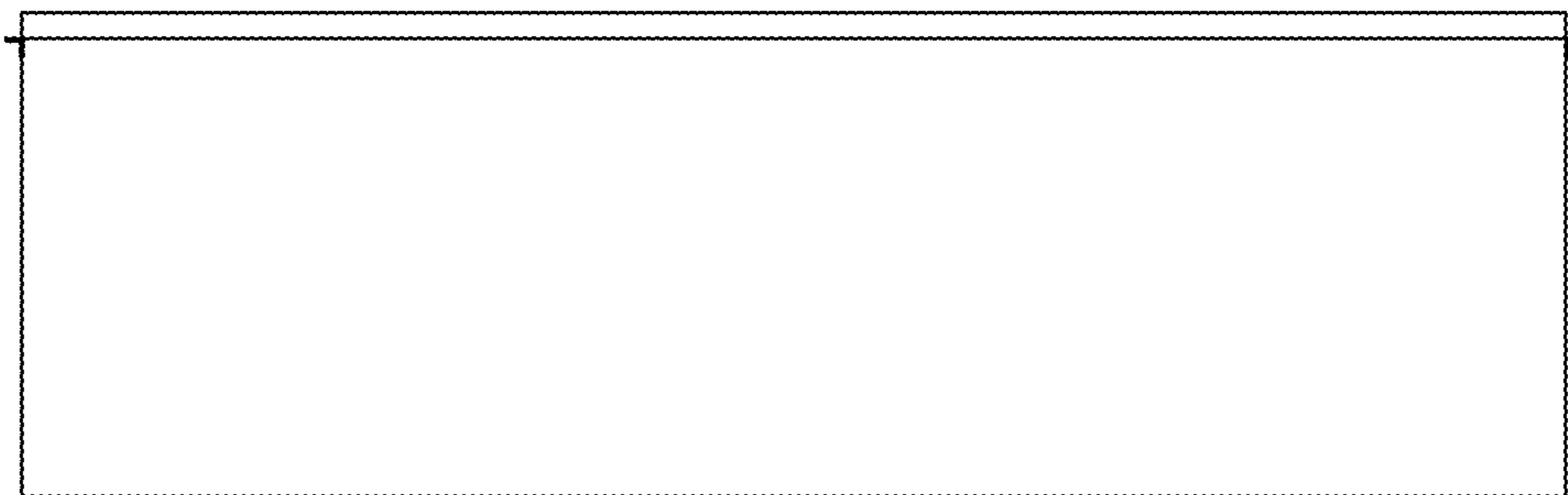


FIG. 4

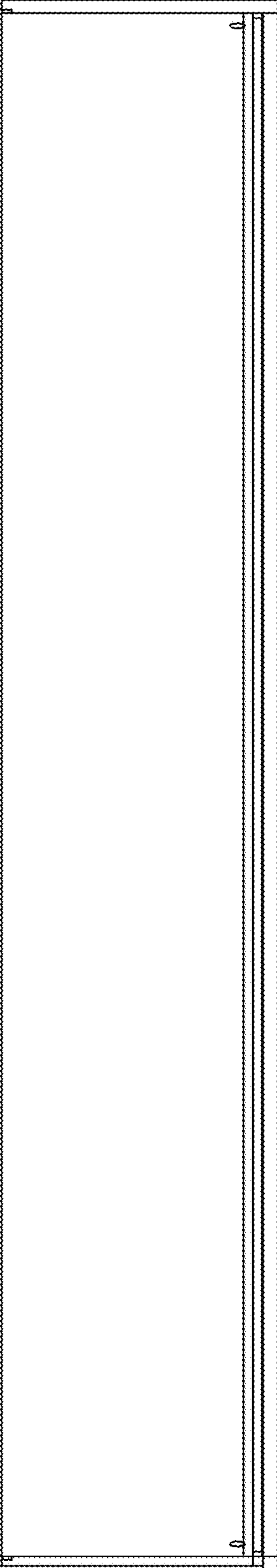


FIG. 6

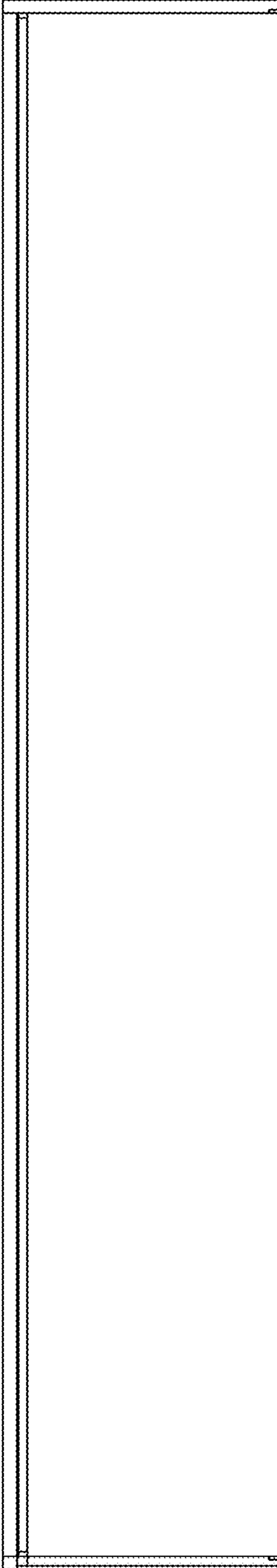


FIG. 7