



US00D785975S

(12) **United States Design Patent** (10) **Patent No.:** **US D785,975 S**
Thaler et al. (45) **Date of Patent:** **** May 9, 2017**

(54) **DISPLAY STRUCTURE**
(71) Applicant: **Apple Inc.**, Cupertino, CA (US)
(72) Inventors: **Frank Craig Thaler**, Santa Cruz, CA (US); **Russell John Kaaihue Heirakuji**, Cupertino, CA (US); **Carly Lynn Marasco**, Los Gatos, CA (US)
(73) Assignee: **Apple Inc.**, Cupertino, CA (US)

D679,521 S * 4/2013 Hamm D6/672
D707,991 S * 7/2014 Woelfel et al.
D711,170 S * 8/2014 Lawlor D6/673
D722,794 S * 2/2015 Luong D20/19
D723,026 S * 2/2015 Birgeoglu D14/307
D728,283 S * 5/2015 Weshler D6/675.1
D734,965 S * 7/2015 Tio D6/675
D747,901 S * 1/2016 Kanagy D6/673
D770,203 S * 11/2016 Thaler D6/673
(Continued)

(**) Term: **14 Years**
(21) Appl. No.: **29/526,384**
(22) Filed: **May 8, 2015**

FOREIGN PATENT DOCUMENTS

JP D1418952 S 7/2011
WO DM/041938 10/1997
WO DM/078462 5/2012

Related U.S. Application Data

(63) Continuation of application No. 29/507,089, filed on Oct. 23, 2014, now Pat. No. Des. 770,203.
(51) **LOC (10) Cl.** **06-06**
(52) **U.S. Cl.**
USPC **D6/673**
(58) **Field of Classification Search**
USPC D6/672-673, 675-675.1; 211/42, 44-45, 211/48, 50, 90.01, 133.1; 312/7.2, 9.1, 312/107-109, 117-119, 278-279; 108/59, 108, 161
CPC A47F 5/0018; A47F 5/0081
See application file for complete search history.

OTHER PUBLICATIONS

Japanese Patent Office document HB24003431, reported by JPO as dated Mar. 2012, p. 88.

Primary Examiner — Kelley Donnelly
(74) *Attorney, Agent, or Firm* — Sterne, Kessler, Goldstein & Fox P.L.L.C.

(56) **References Cited**

U.S. PATENT DOCUMENTS

D398,653 S * 9/1998 Hiraguchi D20/10
D438,256 S * 2/2001 Timmermans D20/10
D573,593 S * 7/2008 Sasaki D14/307
D580,926 S * 11/2008 McCarty D14/307
D591,078 S * 4/2009 Singler D14/307
D602,932 S * 10/2009 Sasaki D14/307
D632,903 S * 2/2011 Paul D6/675.3
D639,086 S * 6/2011 Curbbun D20/10
D661,922 S * 6/2012 Mitri D6/662

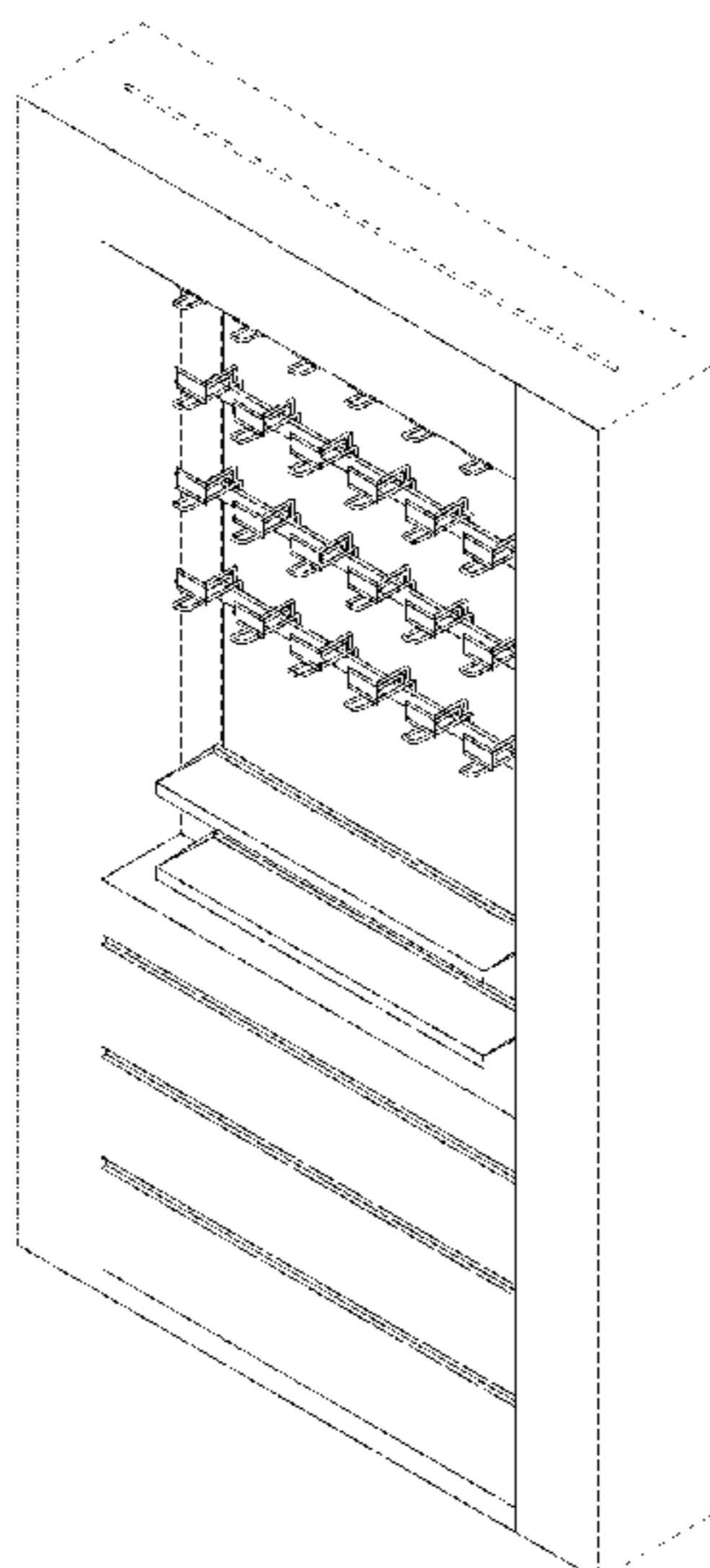
(57) **CLAIM**

The ornamental design for a display structure, as shown and described.

DESCRIPTION

FIG. 1 is a top front perspective view of a display structure showing our new design;
FIG. 2 is a front view thereof;
FIG. 3 is a rear view thereof;
FIG. 4 is a left side view thereof;
FIG. 5 is a right side view thereof;
FIG. 6 is a top view thereof; and,
FIG. 7 is a bottom view thereof.
The broken lines in the figures show portions of the display structure that form no part of the claimed design.

1 Claim, 5 Drawing Sheets



(56)

References Cited

U.S. PATENT DOCUMENTS

D776,463 S *	1/2017	Boaz	D6/672
2007/0170823 A1 *	7/2007	Stannis	A47B 81/06
			312/7.2
2015/0036326 A1 *	2/2015	Maciulewicz	A47F 11/10
			362/133
2015/0170552 A1 *	6/2015	Woelfel	G09F 5/04
			211/55

* cited by examiner

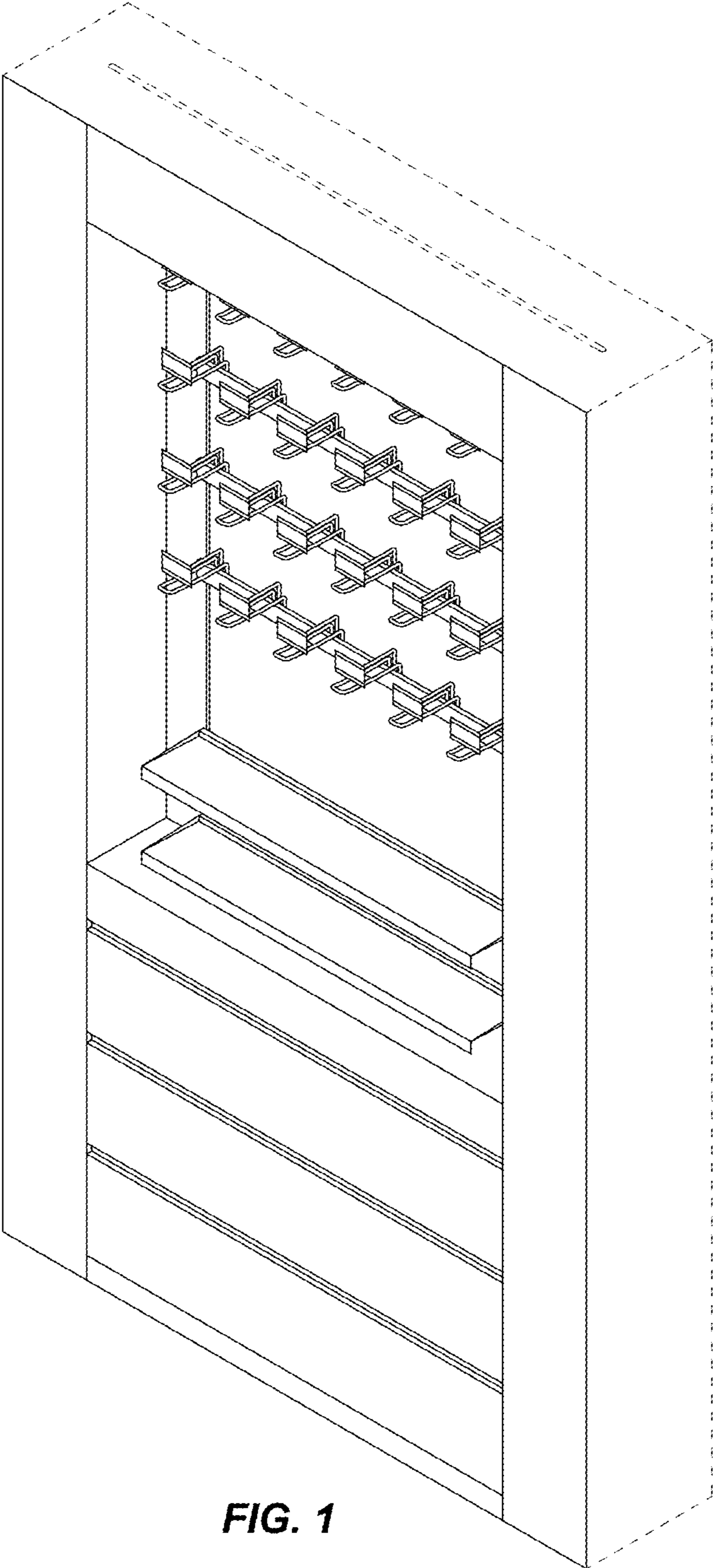


FIG. 1

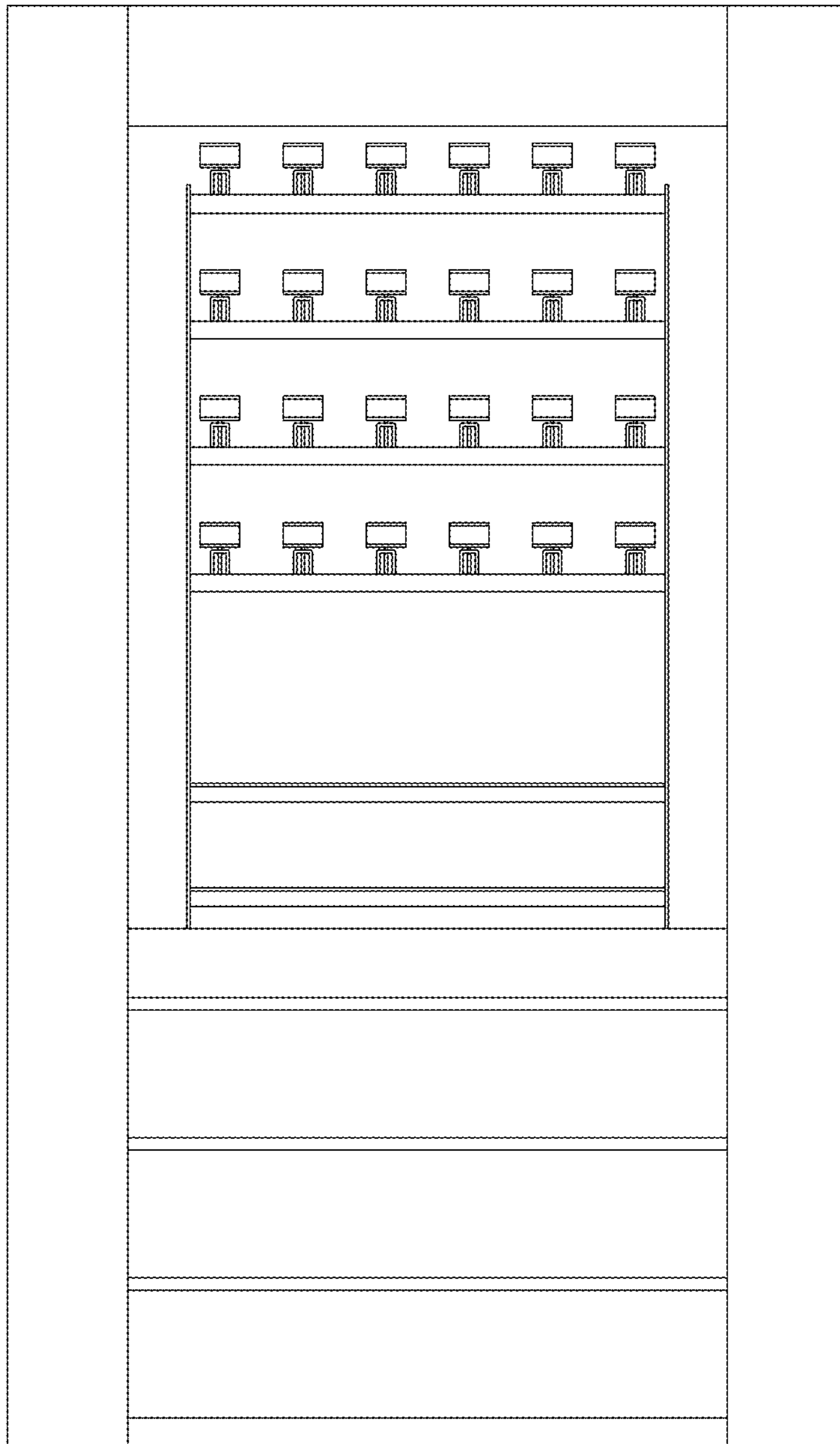


FIG. 2

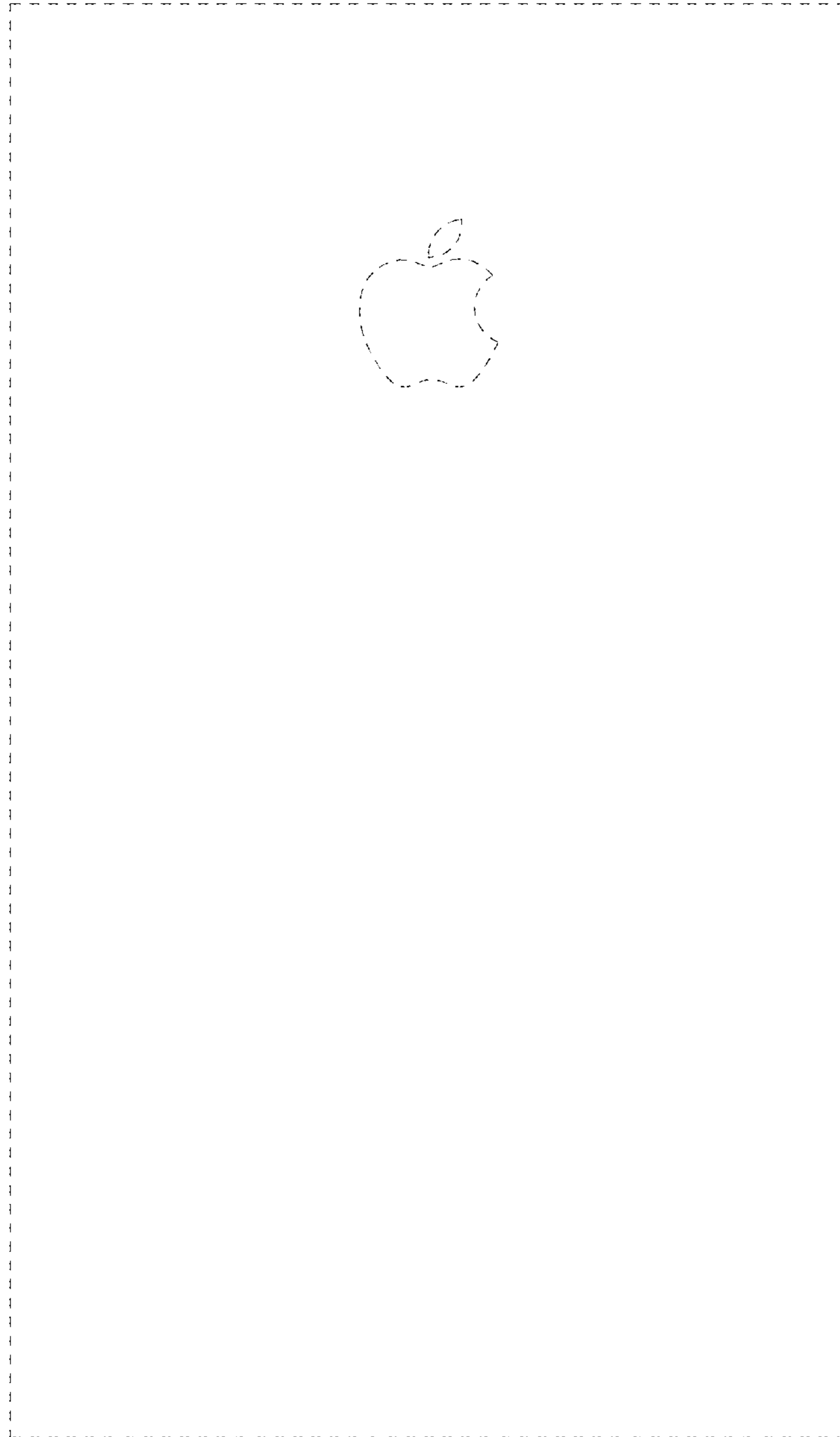


FIG. 3

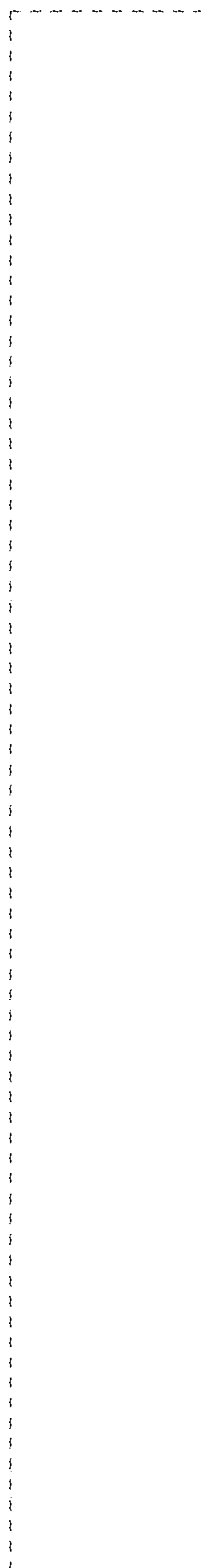


FIG. 4

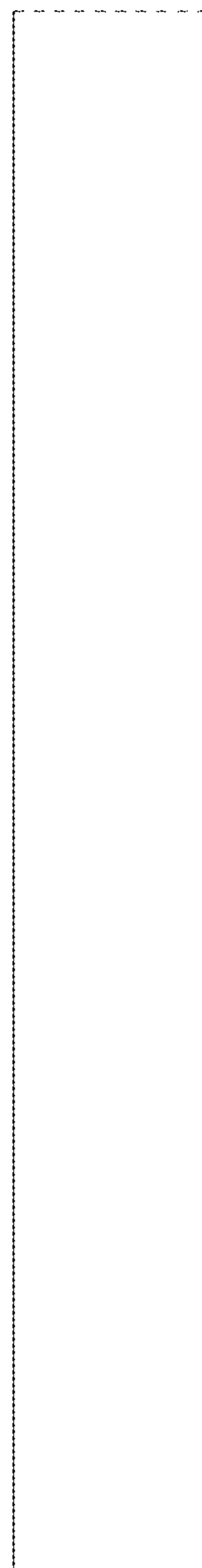


FIG. 5

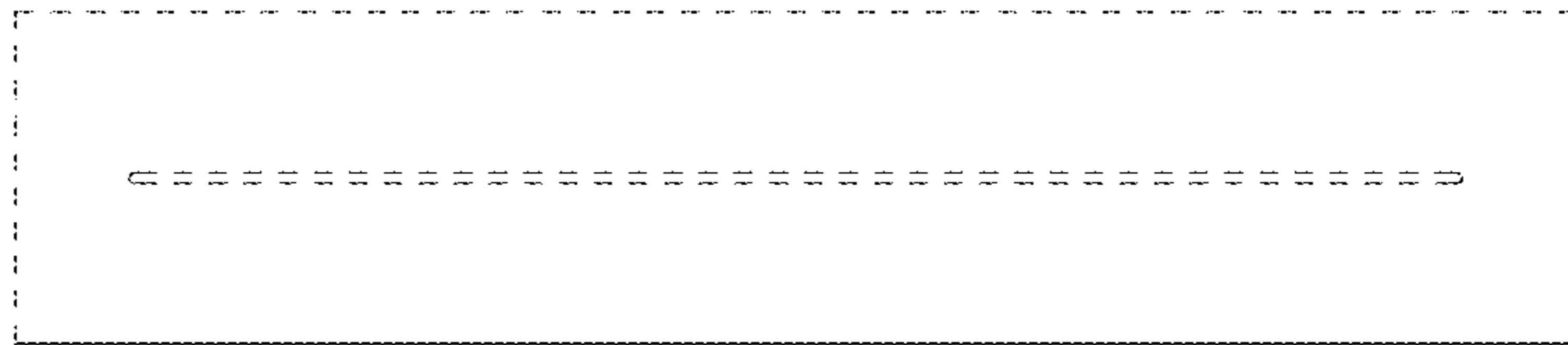


FIG. 6

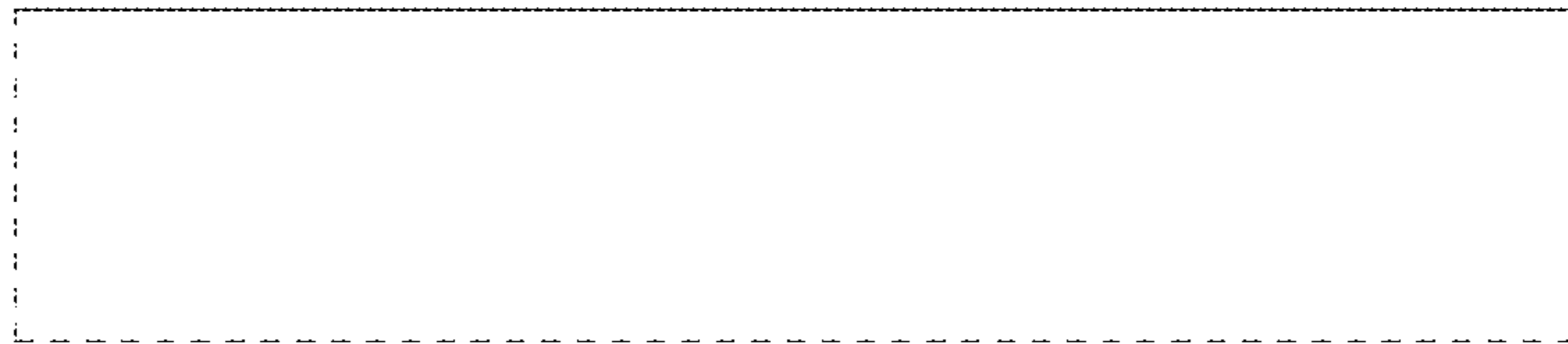


FIG. 7