



US00D785971S

(12) **United States Design Patent** (10) **Patent No.:** **US D785,971 S**
Marshall et al. (45) **Date of Patent:** **** May 9, 2017**

(54) **HOLDING APPARATUS**

5,368,203 A 11/1994 Friedrich et al.
5,871,107 A 2/1999 Johnson et al.
6,065,632 A 5/2000 Moore, Jr. et al.
(Continued)

(71) Applicant: **Honey-Can-Do International, LLC**,
Berkeley, IL (US)

(72) Inventors: **Jon Marshall**, London (GB); **Will Howe**, London (GB); **Edward Barber**, London (GB); **Jay Osgerby**, London (GB); **Molly Anderson**, San Francisco, CA (US); **Assaf Wand**, Palo Alto, CA (US)

FOREIGN PATENT DOCUMENTS

JP 2002/199980 7/2002
JP 2003/246378 9/2003
WO WO 2009/116895 9/2009

(73) Assignee: **Honey-Can-Do International, LLC**,
Berkeley, IL (US)

(**) Term: **15 Years**

(21) Appl. No.: **29/537,049**

(22) Filed: **Aug. 21, 2015**

(51) **LOC (10) Cl.** **23-02**

(52) **U.S. Cl.**
USPC **D6/553**

(58) **Field of Classification Search**
USPC D6/533, 524, 562, 546-550, 527, 532,
D6/535, 574; D8/300, 315-320;
D23/271, 303, 304; 211/13.1, 71.01,
211/86.01, 87.01, 88.01, 88.04, 90.01,
211/123, 126.1, 133.1, 134; 248/205.1,
248/220.1, 235, 251, 309.1
CPC A61B 17/1155; B26B 1/10; A47K 17/02;
A47K 3/001; A47K 3/282
See application file for complete search history.

(56) **References Cited**

U.S. PATENT DOCUMENTS

4,484,682 A 11/1984 Crow
D287,175 S 12/1986 Gecchelin
D305,193 S 12/1989 Sajadieh
5,037,107 A 8/1991 McArthur et al.
D334,265 S 3/1993 Giugiaro

OTHER PUBLICATIONS

PCT International Search Report and Written Opinion in International Application PCT/US2012/030987, mailed Jul. 13, 2012, 15 pgs.

Primary Examiner — Wan Laymon
Assistant Examiner — Mark Booker
(74) *Attorney, Agent, or Firm* — Adam K. Sacharoff;
Much Shelist

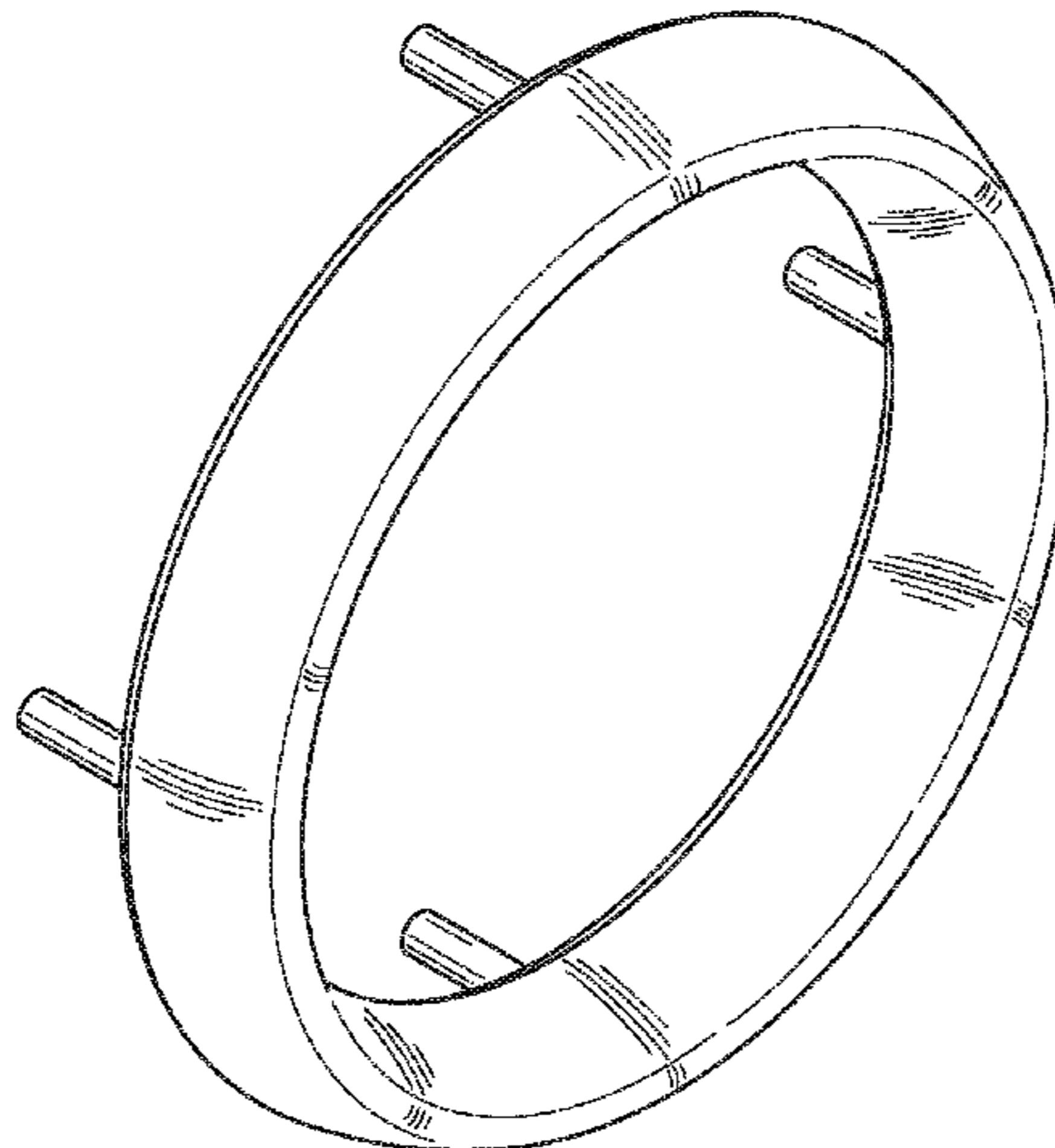
(57) **CLAIM**

The ornamental design for a holding apparatus, as shown.

DESCRIPTION

FIG. 1 is a perspective view of a holding apparatus showing our new design.
FIG. 2 is a front elevation view of the holding apparatus of FIG. 1.
FIG. 3 is a back elevation view of the holding apparatus of FIG. 1.
FIG. 4 is a right elevation view of the holding apparatus of FIG. 1.
FIG. 5 is a left elevation view of the holding apparatus of FIG. 1.
FIG. 6 is a top plan view of the holding apparatus of FIG. 1; and,
FIG. 7 is a bottom plan view of the holding apparatus of FIG. 1.
The broken lines are for environmental purposes only and form no part of the claimed design.

1 Claim, 5 Drawing Sheets



(56)

References Cited

U.S. PATENT DOCUMENTS

D448,299 S	9/2001	Negre		D634,165 S	3/2011	Yang	
D481,236 S	10/2003	Hunt		7,897,088 B2	3/2011	Mitchell	
D497,777 S	11/2004	Sanders et al.		D640,248 S	6/2011	Baumann et al.	
D505,312 S *	5/2005	Bacon	D8/310	D643,317 S	8/2011	Clear et al.	
D505,819 S *	6/2005	Hoernig	D6/546	8,001,671 B2	8/2011	Mitchell	
D506,644 S	6/2005	Poupel et al.		D646,852 S	10/2011	Chance et al.	
7,010,935 B2	3/2006	Citrynell et al.		D648,212 S	11/2011	Golota et al.	
D540,623 S	4/2007	Schreiber-Pethan et al.		D651,049 S	12/2011	Nakagawa	
D543,788 S	6/2007	Hong		D651,467 S	1/2012	Bodum	
D543,790 S	6/2007	Szymanski		D655,984 S	3/2012	Andreesen	
D551,502 S	9/2007	Bodum		D661,948 S	6/2012	Bangert	
D563,733 S	3/2008	Wang		D661,989 S	6/2012	Praster	
D564,843 S	3/2008	Frank		D662,785 S	7/2012	Kern	
D564,844 S	3/2008	Schreiber-Pethan et al.		D667,240 S	9/2012	Weldon	
D579,616 S	10/2008	Lion et al.		D676,710 S	2/2013	Kwok	
D581,279 S	11/2008	Oates		D676,946 S *	2/2013	O'Brien	D23/304
D581,738 S	12/2008	Bodum		D680,812 S	4/2013	Justus et al.	
D588,913 S	3/2009	Bakic		D685,230 S	7/2013	Hassman	
D590,564 S	4/2009	Dretzka		D685,608 S	7/2013	Bangert	
D593,882 S	6/2009	Scalisi		D685,610 S	7/2013	Bangert	
D594,277 S	6/2009	Snell		D687,934 S *	8/2013	Blakley	D23/304
D607,616 S	1/2010	Newsome et al.		D698,568 S	2/2014	Chen	
D611,769 S	3/2010	Hauser		D711,239 S	8/2014	Julier	
D612,732 S	3/2010	Takata et al.		D717,116 S	11/2014	Aslon	
D613,127 S	4/2010	Olivari		D717,608 S	11/2014	Lin	
D613,999 S	4/2010	Sierra		D718,532 S	12/2014	Wang	
D614,917 S	5/2010	Calco		2004/0173719 A1	9/2004	Mitchell et al.	
D620,764 S	8/2010	Lessells		2005/0056646 A1	3/2005	Gary	
D621,223 S	8/2010	Bas		2007/0131695 A1	6/2007	Hsing-Hsien	
D621,665 S	8/2010	Lion et al.		2008/0060204 A1	3/2008	Chen	
D622,553 S	8/2010	Bollenbacher		2009/0166243 A1	7/2009	Cetera	
D626,791 S	11/2010	Sierra		2010/0071395 A1	3/2010	LeDoux et al.	
D628,340 S	11/2010	Krause		2010/0206825 A1	8/2010	Johnston et al.	
D629,264 S	12/2010	Curtin		2011/0024585 A1	2/2011	Brinkdopke et al.	
D631,272 S *	1/2011	O'Brien	D6/533	2014/0117177 A1 *	5/2014	Shamsadov	H04B 1/3888 248/205.1
D632,138 S	2/2011	Carter		2015/0128491 A1	5/2015	Aller et al.	
				2015/0158633 A1	6/2015	Aller et al.	
				2015/0164003 A1	6/2015	Aller et al.	

* cited by examiner

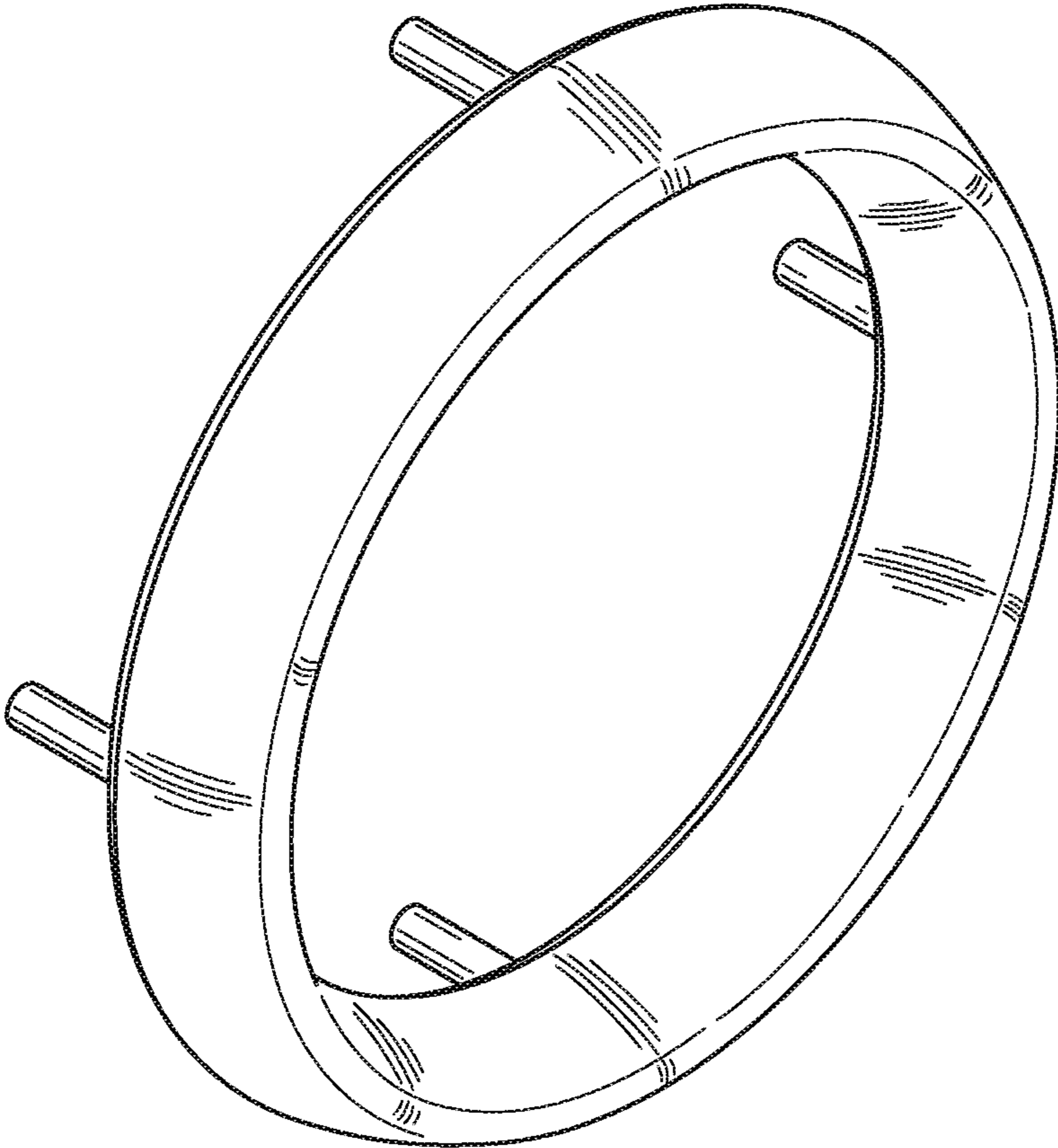


FIG. 1

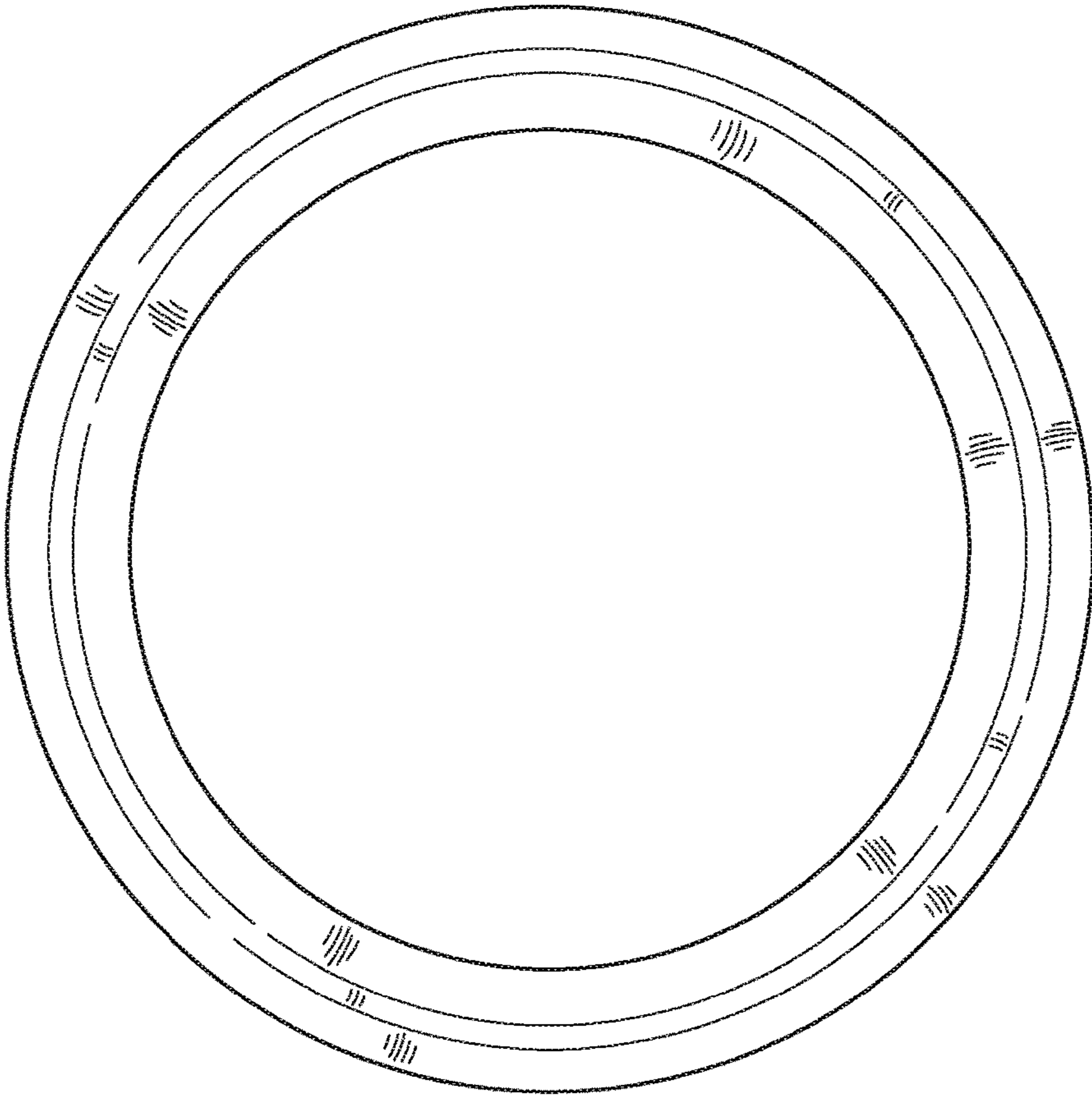


FIG.2

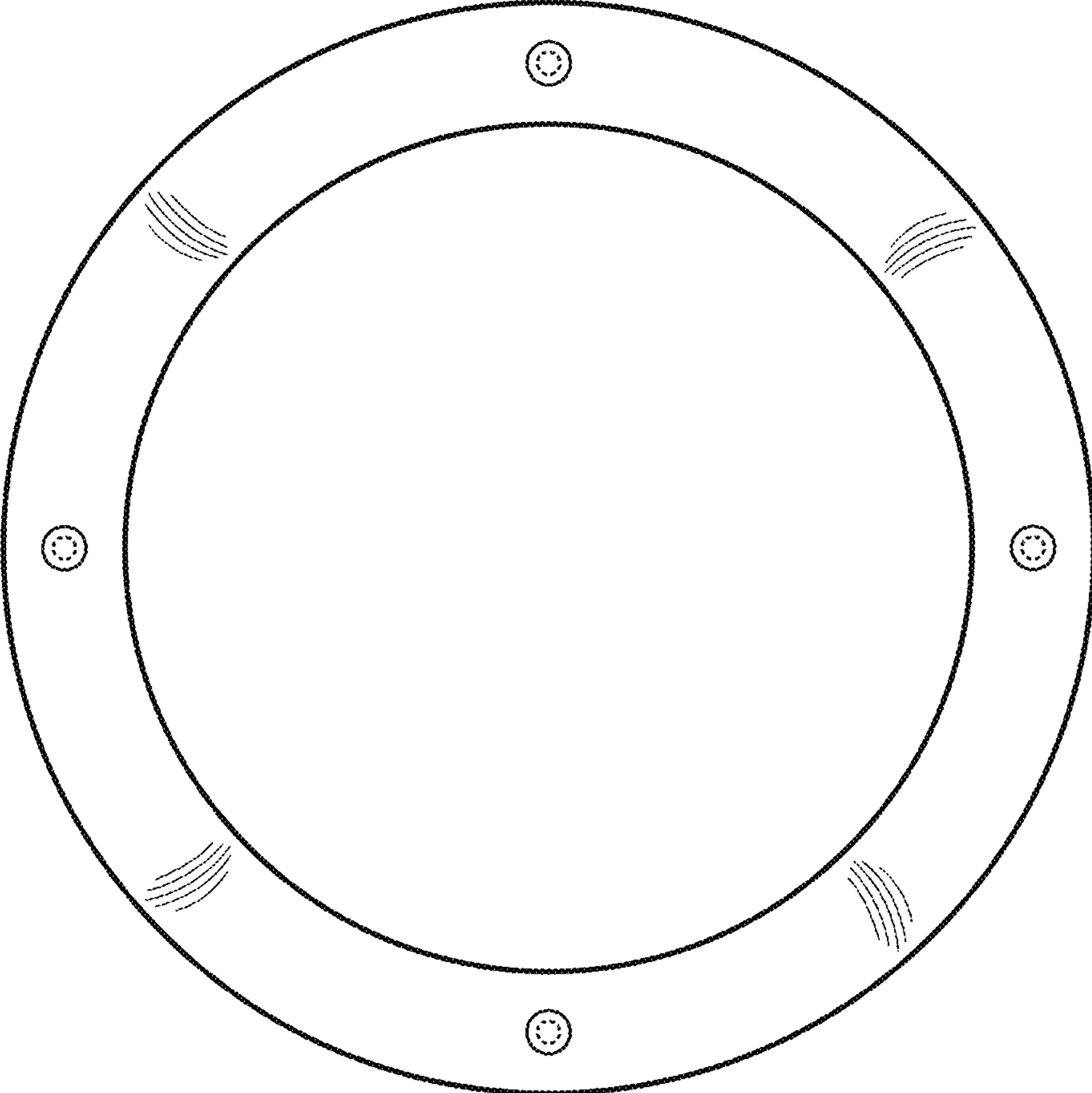


FIG.3

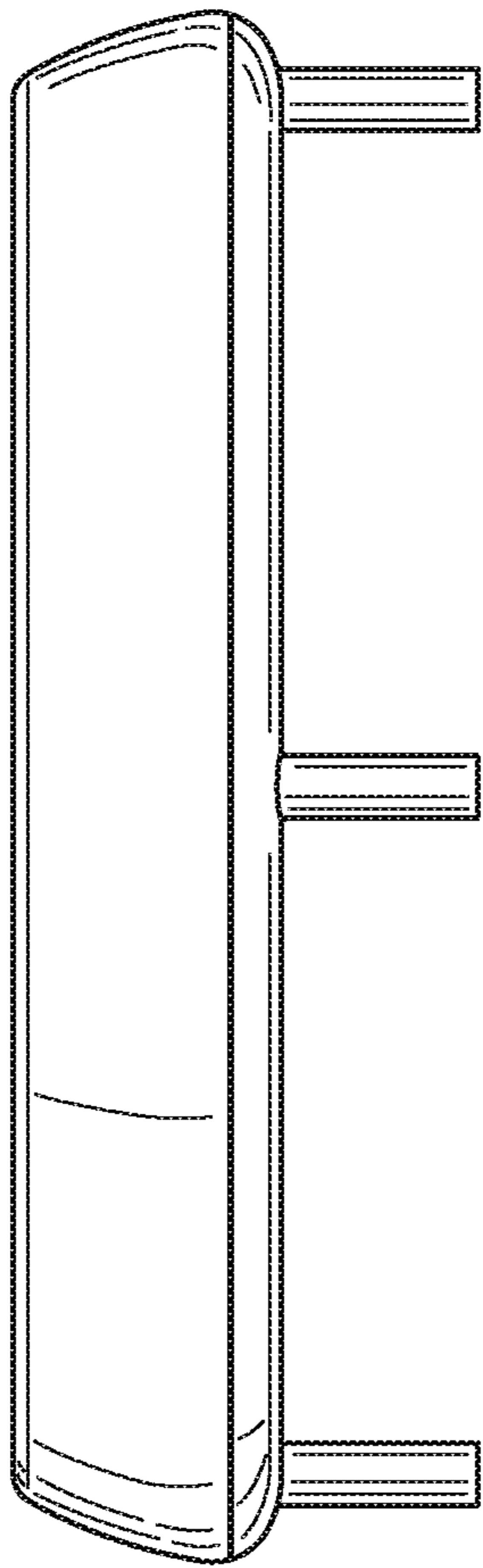


FIG. 4

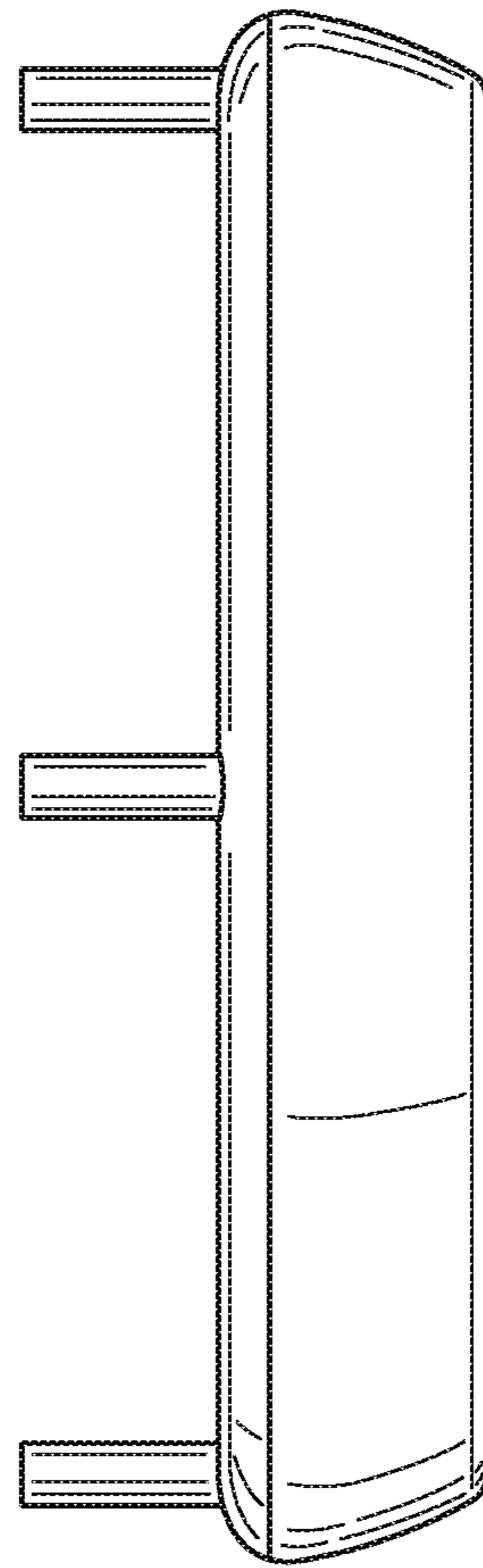


FIG. 5

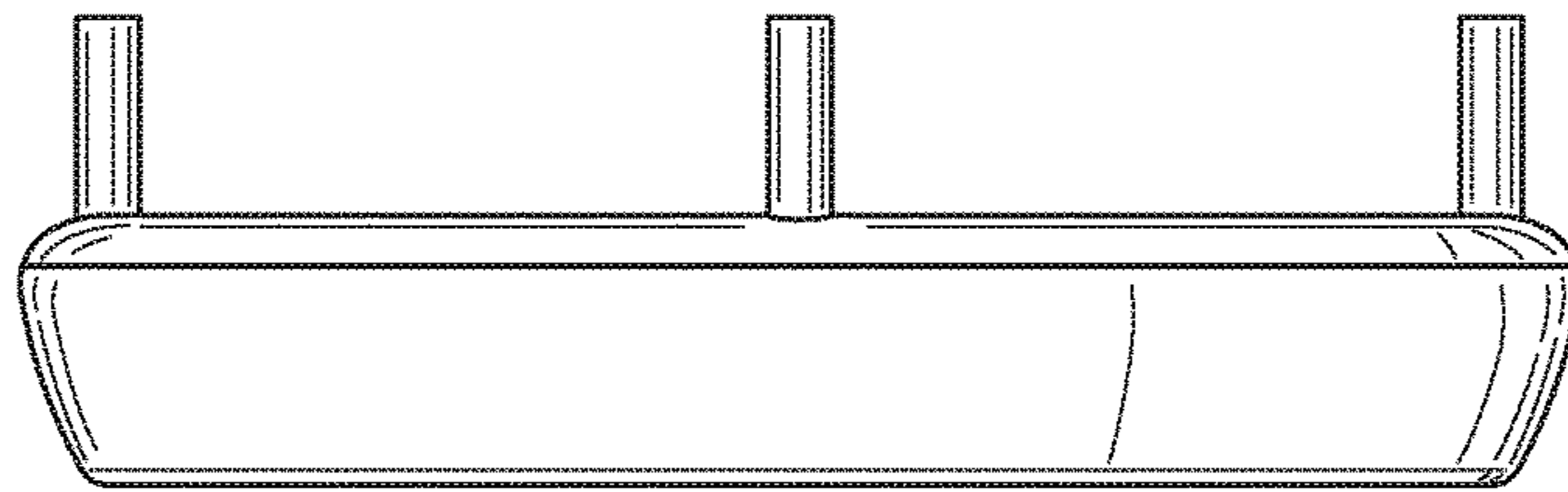


FIG. 6

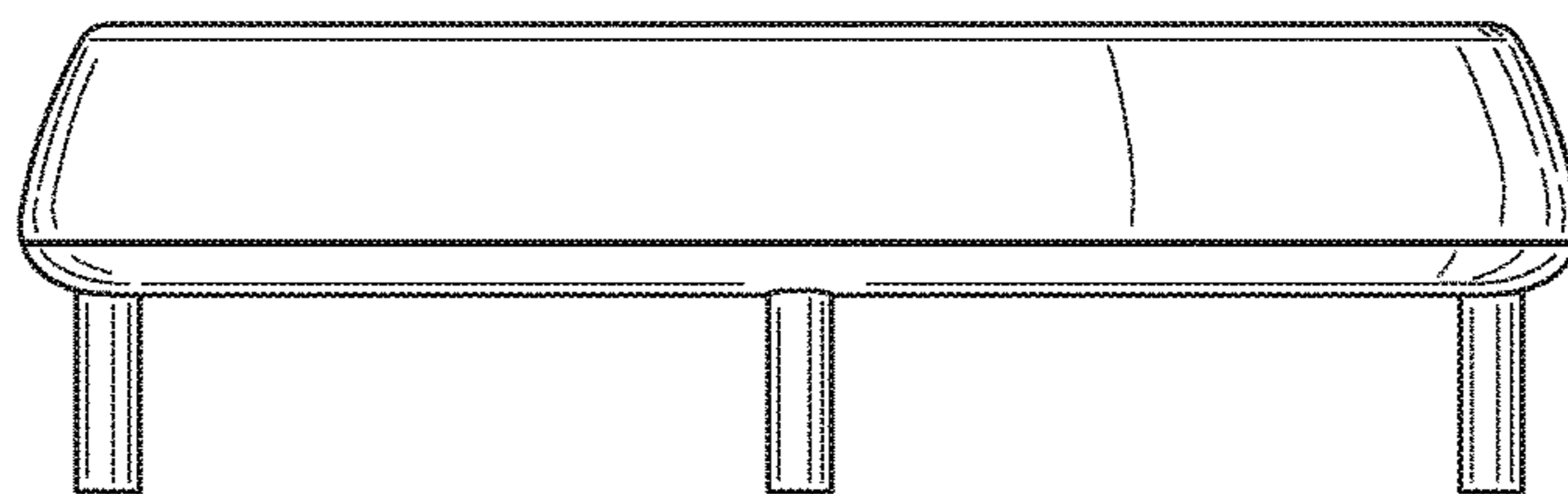


FIG. 7