



US00D785969S

(12) **United States Design Patent**
Burrow

(10) **Patent No.:** **US D785,969 S**

(45) **Date of Patent:** **** May 9, 2017**

(54) **SELF DRAINING SOAP DISH**
(71) Applicant: **Peter Noel Burrow**, Guilford, CT (US)
(72) Inventor: **Peter Noel Burrow**, Guilford, CT (US)
(**) Term: **15 Years**
(21) Appl. No.: **29/555,143**

D376,285 S	12/1996	Grippe	D6/536
D385,137 S	10/1997	von Seidel	D6/536
D413,219 S *	8/1999	Glenton Kerr	D6/536
D450,965 S	11/2001	Weinberg	D6/536
D485,105 S	1/2004	Loor	D6/536
D615,789 S	5/2010	Scott	D6/536
D666,041 S *	8/2012	Hwang	D6/536
D704,953 S	5/2014	Reitze	D6/536
D713,652 S *	9/2014	Barclay	D6/536
2011/0297562 A1 *	12/2011	Robbins	A47K 5/03 206/216

(22) Filed: **Feb. 18, 2016**
(51) **LOC (10) Cl.** **23-02**
(52) **U.S. Cl.**
USPC **D6/536**
(58) **Field of Classification Search**
USPC D6/536, 532, 538, 539, 540; D7/502,
D7/550.1, 554.2; D9/682, 690, 692
CPC .. A47K 5/04; A47K 5/02; G09F 23/00; A45D
27/16; E03C 1/24
See application file for complete search history.

* cited by examiner

Primary Examiner — Wan Laymon
Assistant Examiner — Mark Booker

(57) **CLAIM**

The ornamental design for a self draining soap dish, as shown and described.

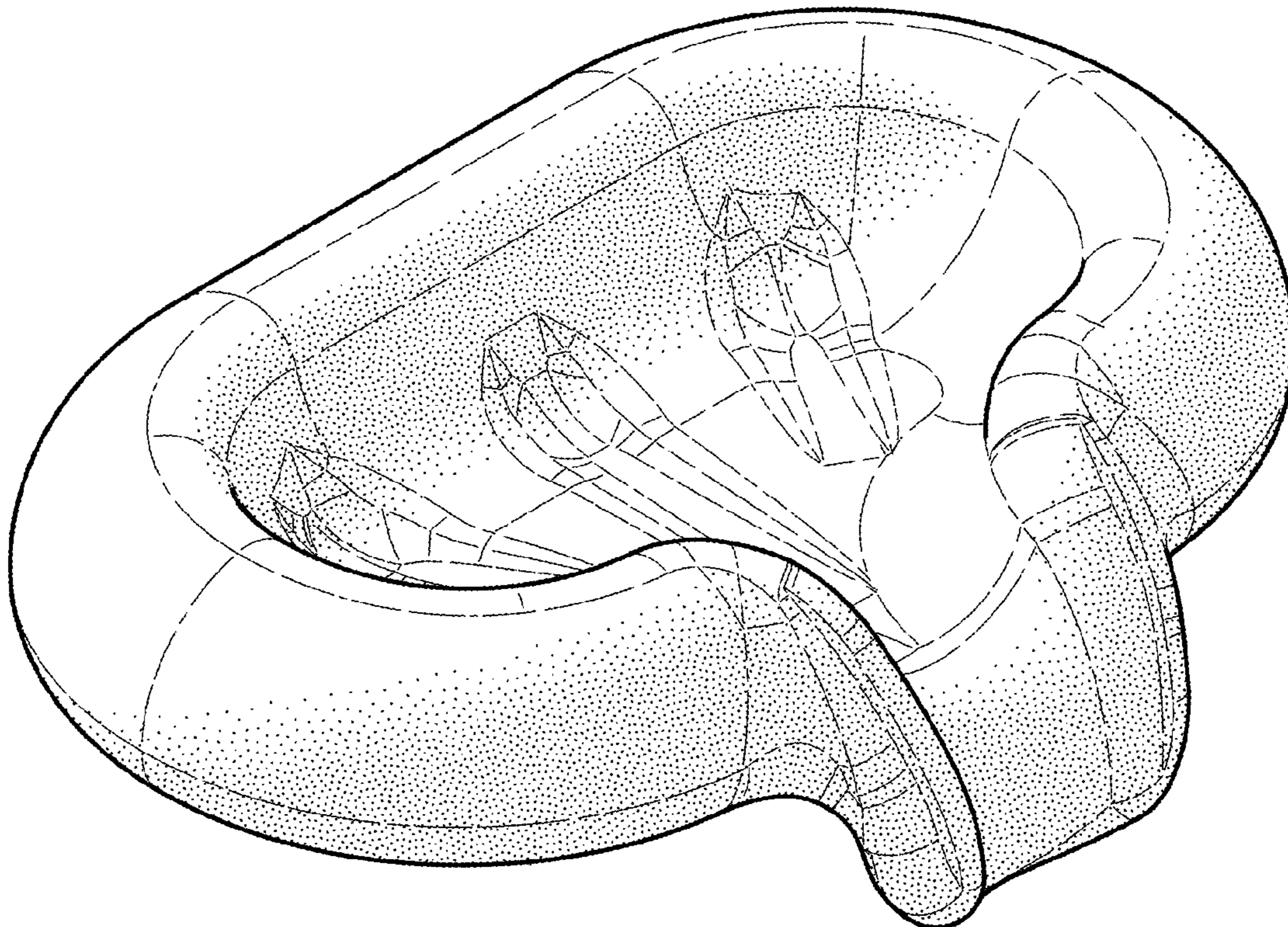
DESCRIPTION

FIG. 1 is a perspective view of a self draining soap dish showing my new design;
FIG. 2 is a front elevational view thereof;
FIG. 3 is a rear elevational view thereof;
FIG. 4 is a top plan view thereof;
FIG. 5 is a bottom plan view thereof; and,
FIG. 6 is a right side elevational view thereof; the left side elevational view is a mirror image thereof.

(56) **References Cited**
U.S. PATENT DOCUMENTS

1,309,965 A	7/1919	Schwab	4/628
1,536,906 A	5/1925	Miller	211/88.01
D130,579 S	12/1941	Dreyfuss	D6/536
2,505,387 A	4/1950	Dantzer	248/176.1
4,993,546 A	2/1991	Southard	206/77.1
D367,986 S *	3/1996	Haley	D6/536

1 Claim, 3 Drawing Sheets



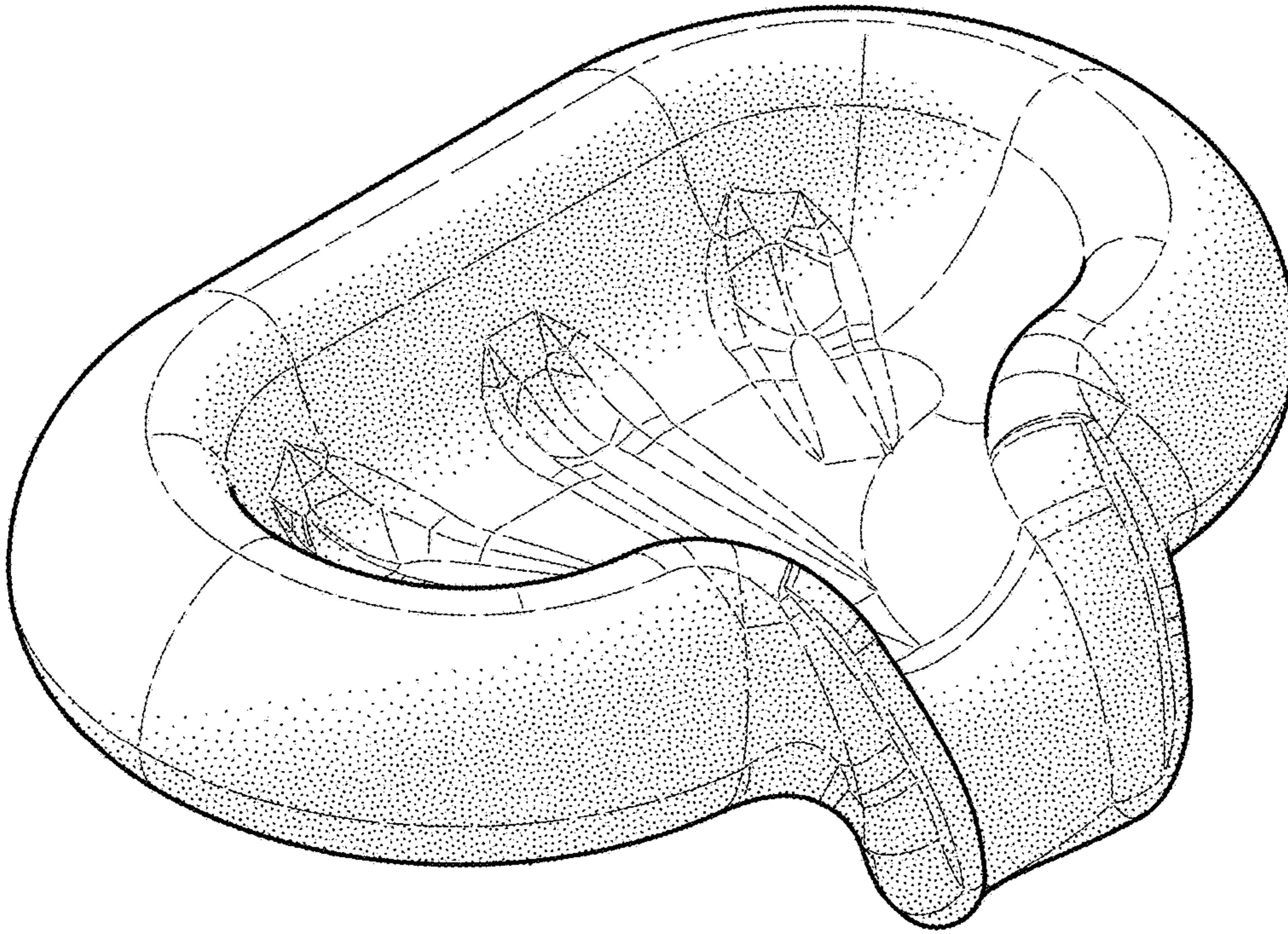


FIG. 1

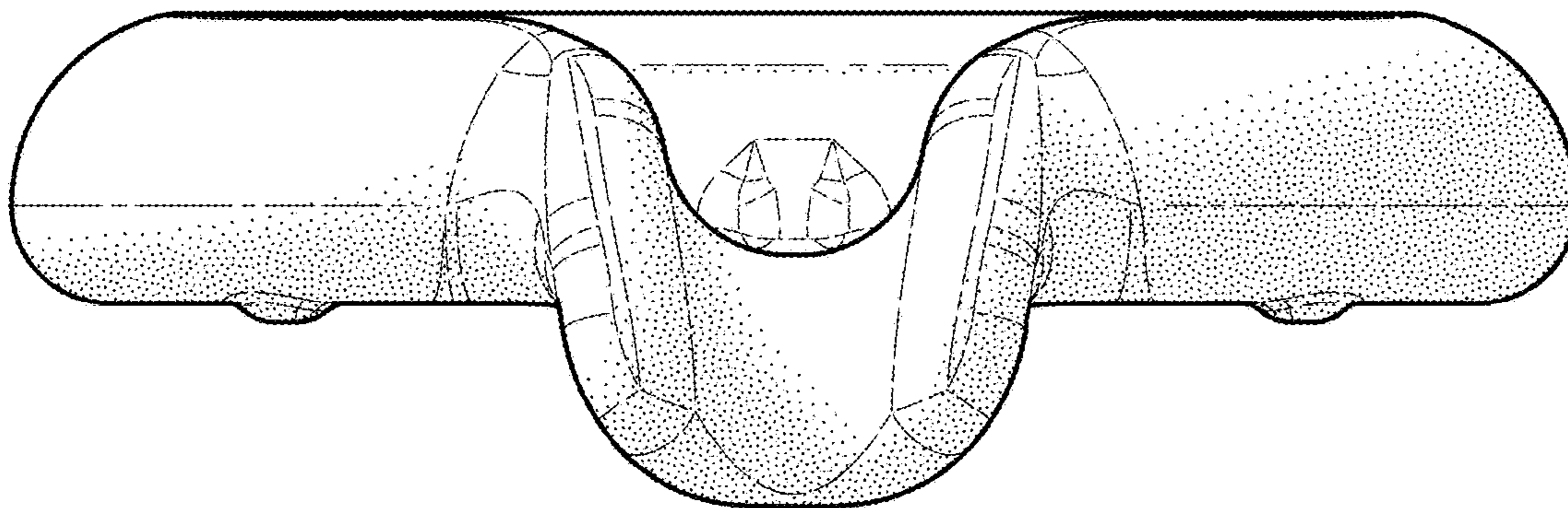


FIG. 2

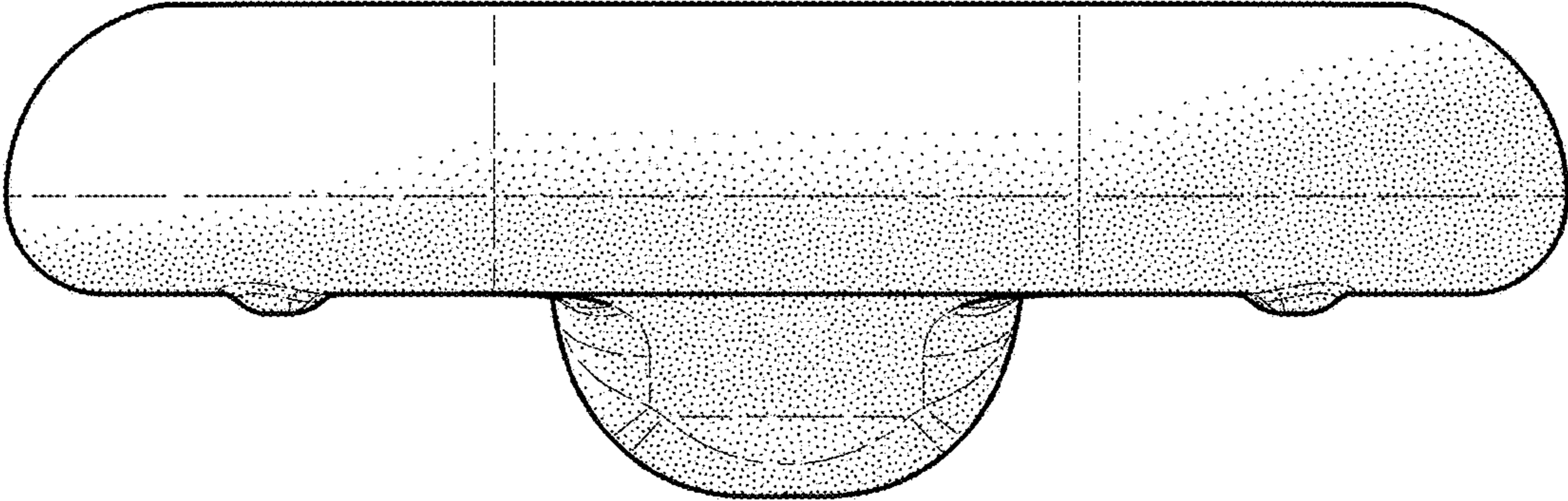


FIG. 3

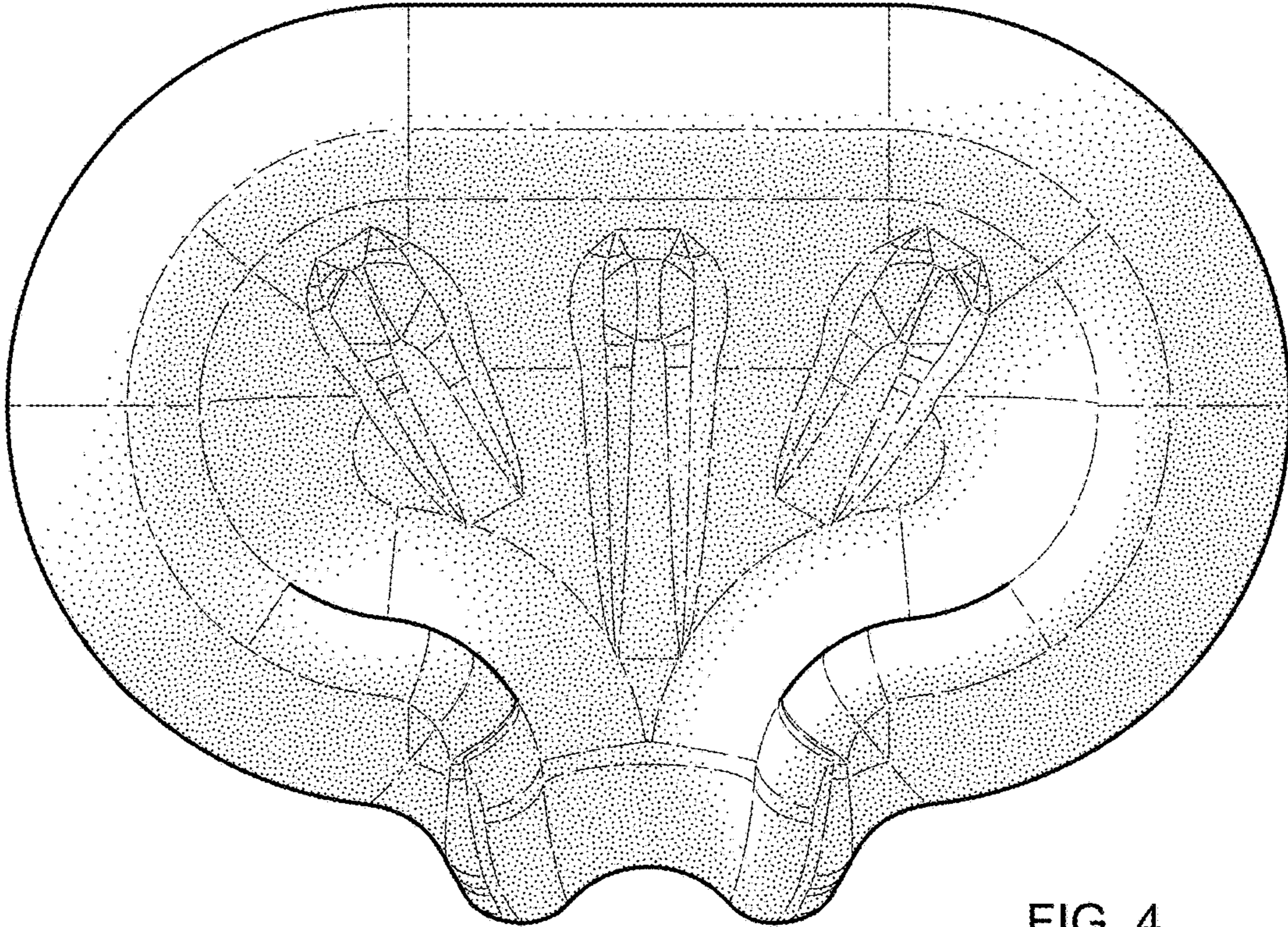


FIG. 4

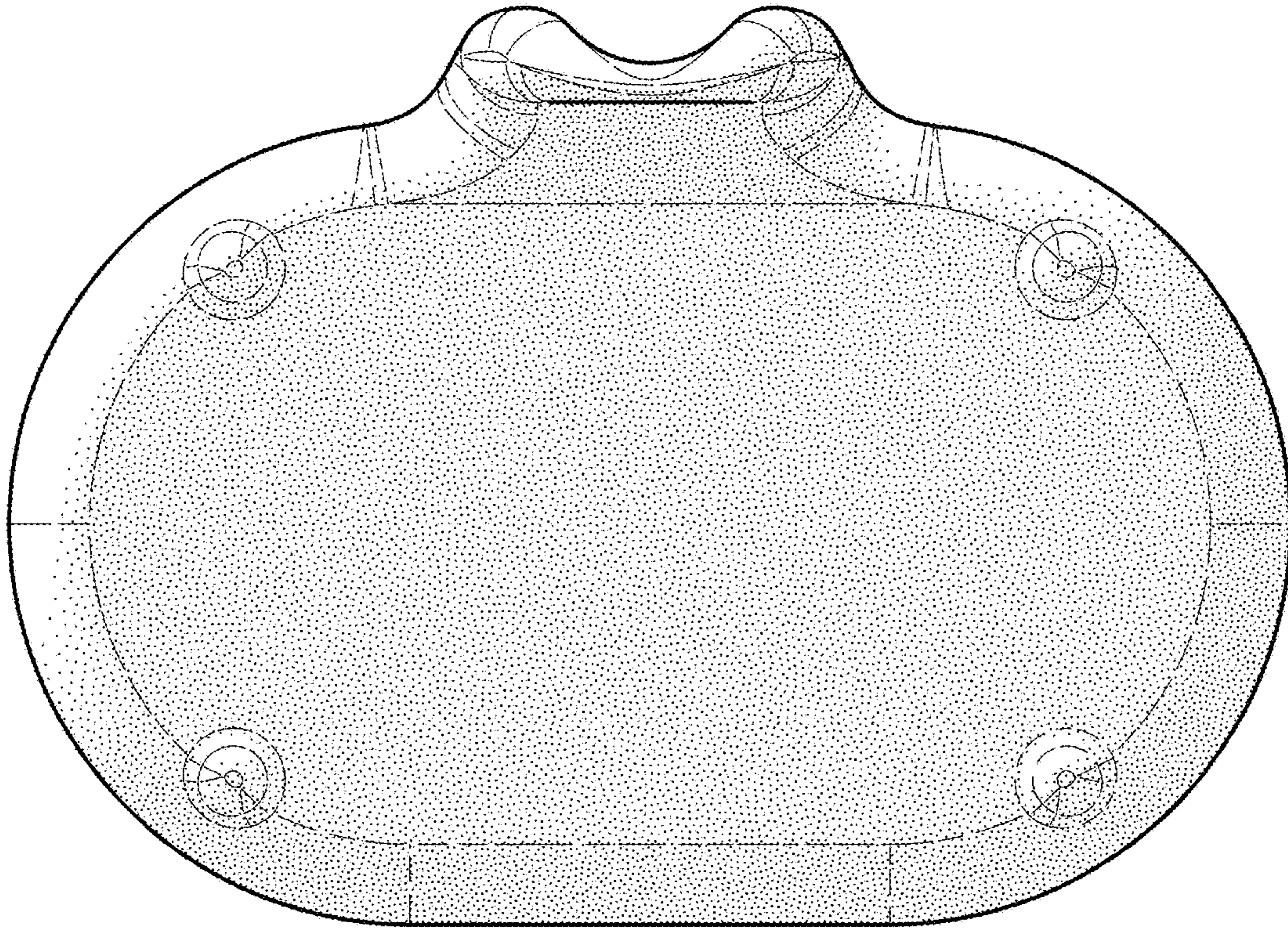


FIG. 5

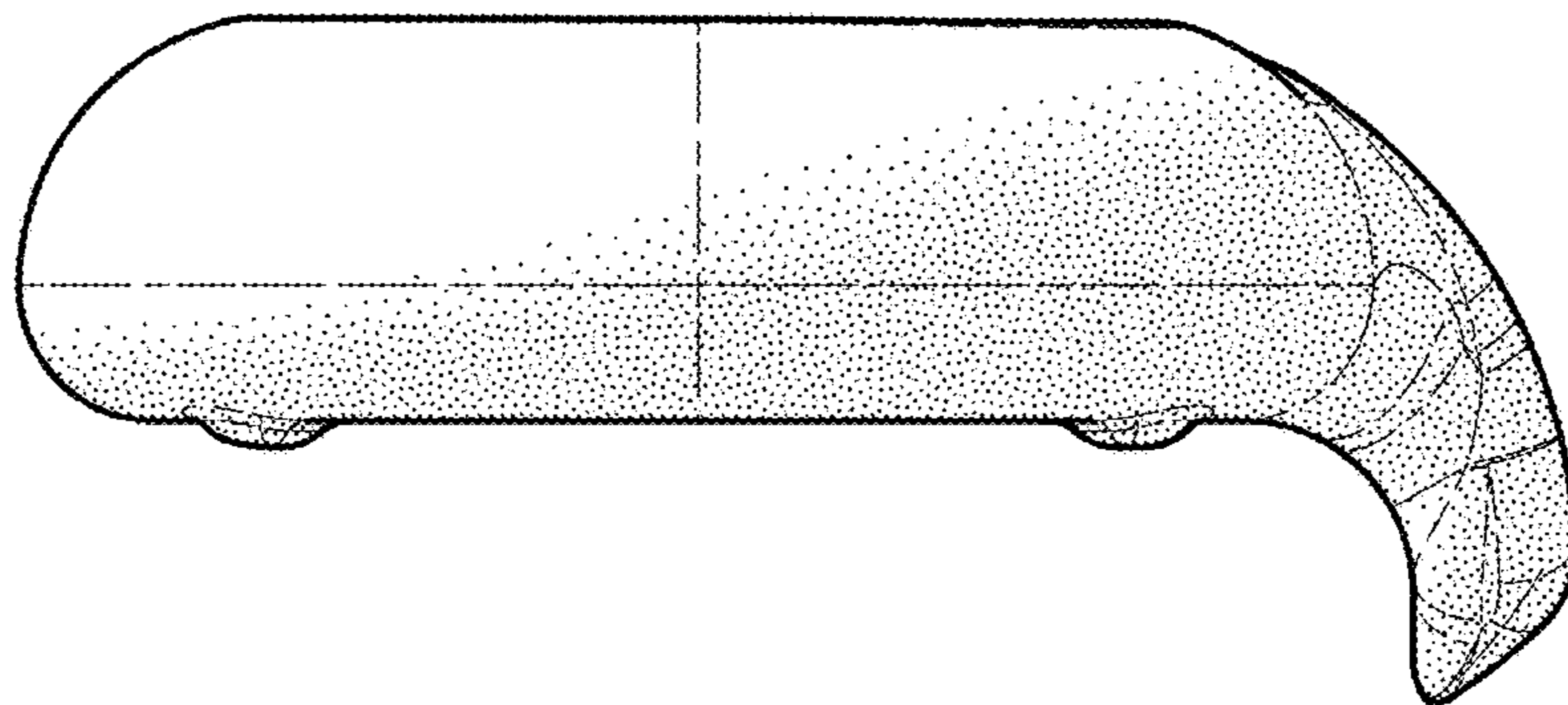


FIG. 6