



US00D785962S

(12) **United States Design Patent**
Muller

(10) **Patent No.:** **US D785,962 S**

(45) **Date of Patent:** **** May 9, 2017**

(54) **CHAIR**

(71) Applicant: **Elite Manufacturing Corporation,**
Santa Fe Springs, CA (US)

(72) Inventor: **Carl Muller,** Huntington Beach, CA
(US)

(73) Assignee: **Elite Manufacturing Corporation,**
Santa Fe Springs, CA (US)

(**) Term: **15 Years**

(21) Appl. No.: **29/536,156**

(22) Filed: **Aug. 13, 2015**

(51) **LOC (10) Cl.** **06-01**

(52) **U.S. Cl.**
USPC **D6/374; D6/360**

(58) **Field of Classification Search**
USPC D6/334-336, 360, 371-373, 374, 375,
D6/379, 380, 716, 716.1, 716.3, 716.4
CPC .. A47C 4/02; A47C 4/03; A47C 4/024; A47C
4/028; A47C 7/16; A47C 7/18; A47C
7/24; A47C 9/007
See application file for complete search history.

(56) **References Cited**

U.S. PATENT DOCUMENTS

D68,208 S *	9/1925	Gunlocket et al.	D6/380
D77,380 S *	1/1929	Wanner	D6/380
D202,035 S *	8/1965	Cox et al.	D6/380
3,353,869 A *	11/1967	Getz	A47C 7/024 297/452.49
4,768,833 A *	9/1988	Virtue	A47C 7/16 297/440.2
D368,379 S	4/1996	Muller	
D374,131 S	10/1996	Muller	
D399,665 S	10/1998	Muller	
D399,666 S	10/1998	Muller	

D399,667 S	10/1998	Muller
D404,583 S	1/1999	Muller
D408,644 S	4/1999	Muller
D409,409 S	5/1999	Muller
D419,322 S	1/2000	Muller
D419,323 S	1/2000	Muller
D419,324 S	1/2000	Muller
D419,327 S	1/2000	Muller
D449,456 S	10/2001	Muller
D449,462 S	10/2001	Muller
D457,340 S	5/2002	Muller
D457,341 S	5/2002	Muller
D457,342 S	5/2002	Muller
D487,983 S	4/2004	Muller
D487,986 S	4/2004	Muller
D488,632 S	4/2004	Muller

(Continued)

Primary Examiner — Mimoso De

(74) *Attorney, Agent, or Firm* — Stetina Brunda Garred & Brucker

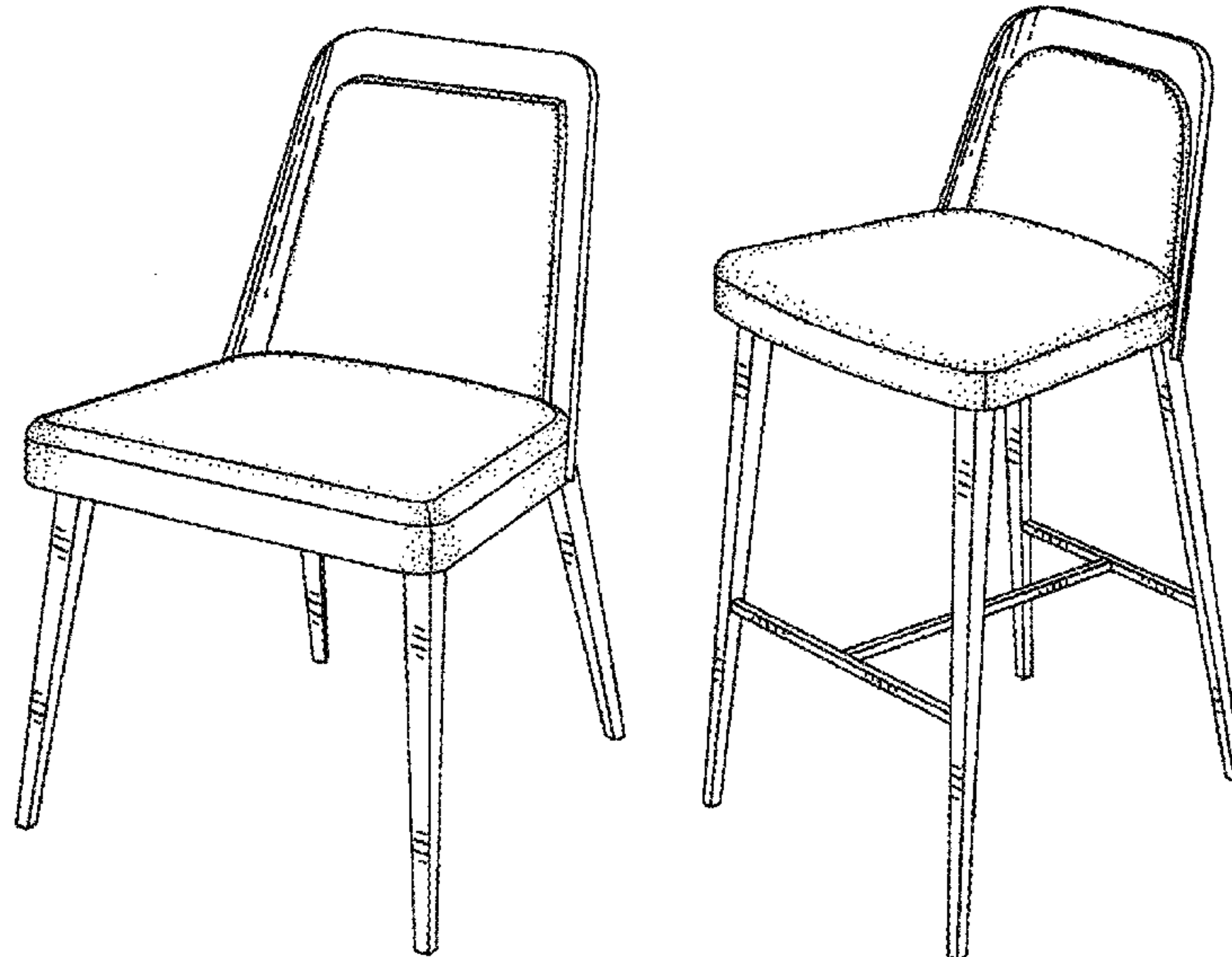
(57) **CLAIM**

The ornamental design for a chair, as shown and described.

DESCRIPTION

FIG. 1 is a front perspective view of the chair of the present invention showing my new design; FIG. 2 is a front elevational view thereof; FIG. 3 is a side elevational view thereof; FIG. 4 is a top plan view thereof; FIG. 5 is a bottom plan view thereof; FIG. 6 is a rear elevational view thereof; FIG. 7 is a front perspective view of a second embodiment of the chair of the present invention showing my new design; FIG. 8 is a front elevational view thereof; FIG. 9 is a side elevational view thereof; FIG. 10 is a top plan view thereof; FIG. 11 is a bottom plan view thereof; and, FIG. 12 is a rear elevational view thereof.

1 Claim, 4 Drawing Sheets



(56)

References Cited

U.S. PATENT DOCUMENTS

D489,193	S	5/2004	Muller	
D489,911	S	5/2004	Muller	
D528,813	S *	9/2006	Sienkowski	D6/360
D543,715	S	6/2007	Muller	
D543,718	S	6/2007	Muller	
D547,957	S	8/2007	Muller	
D573,379	S	7/2008	Muller	
D573,816	S	7/2008	Muller	
D576,817	S *	9/2008	Sienkowski	D6/360
D588,826	S *	3/2009	Ricchio	D6/360
D609,035	S	2/2010	Muller	
D645,266	S *	9/2011	Aubry	D6/360
D651,007	S *	12/2011	Ciani	D6/360
D672,981	S *	12/2012	Kubryk	D6/374
D674,209	S *	1/2013	Muller	D6/380
D697,735	S *	1/2014	Kubryk	D6/374
D699,962	S *	2/2014	Muller	D6/374
D706,545	S	6/2014	Muller	
D766,005	S *	9/2016	Ciani	D6/374

* cited by examiner

FIG. 1

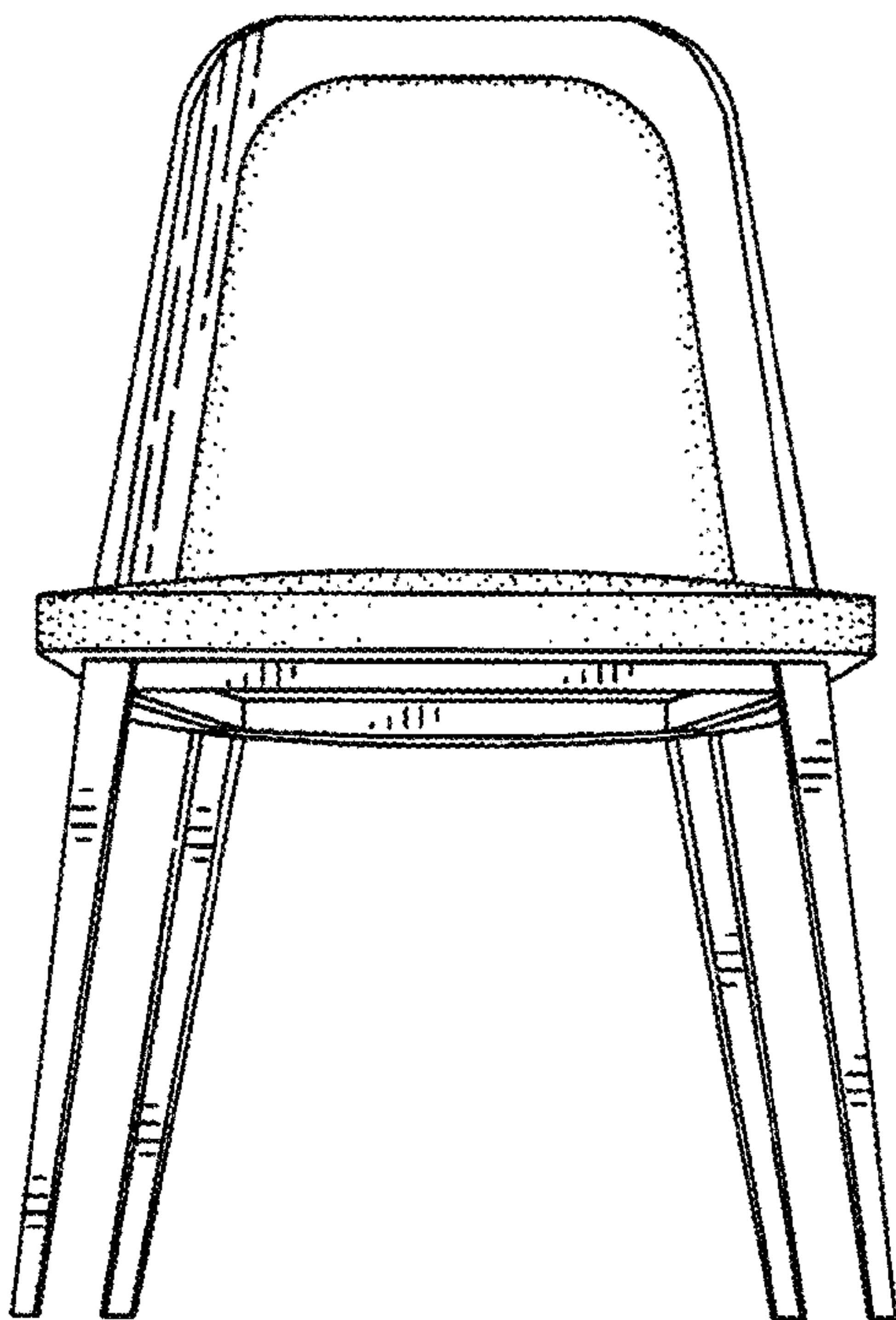
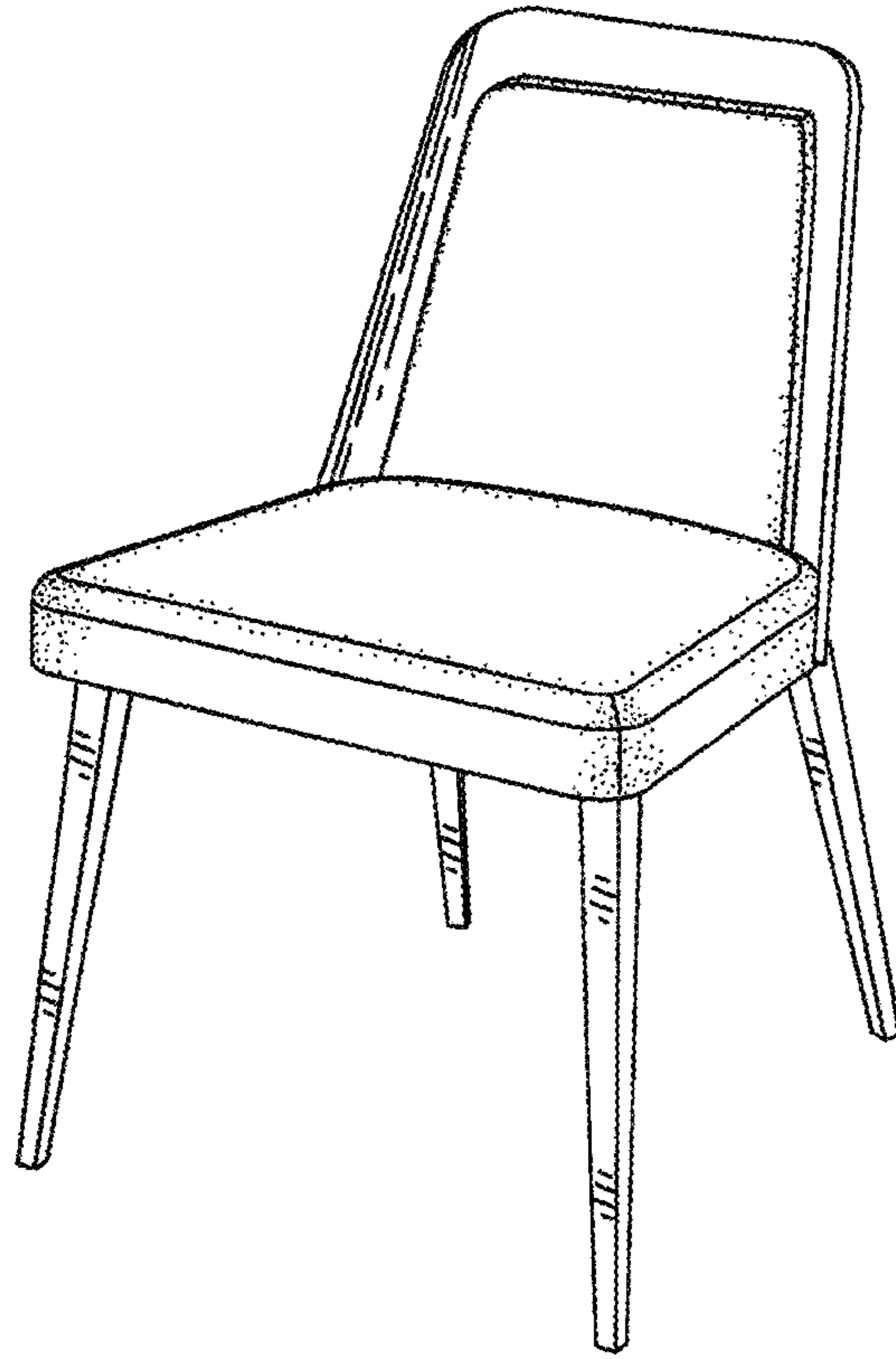


FIG. 2

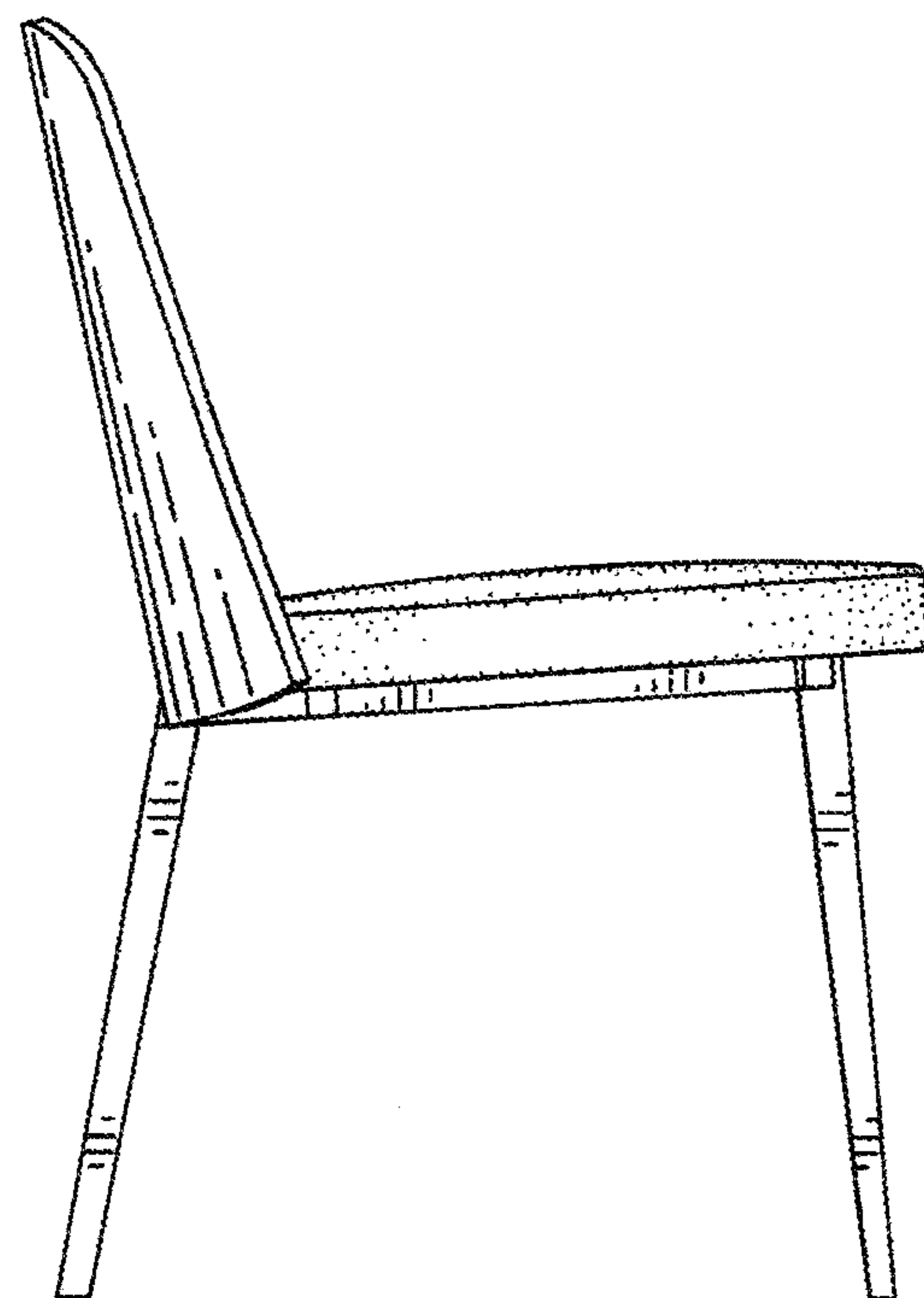


FIG. 3

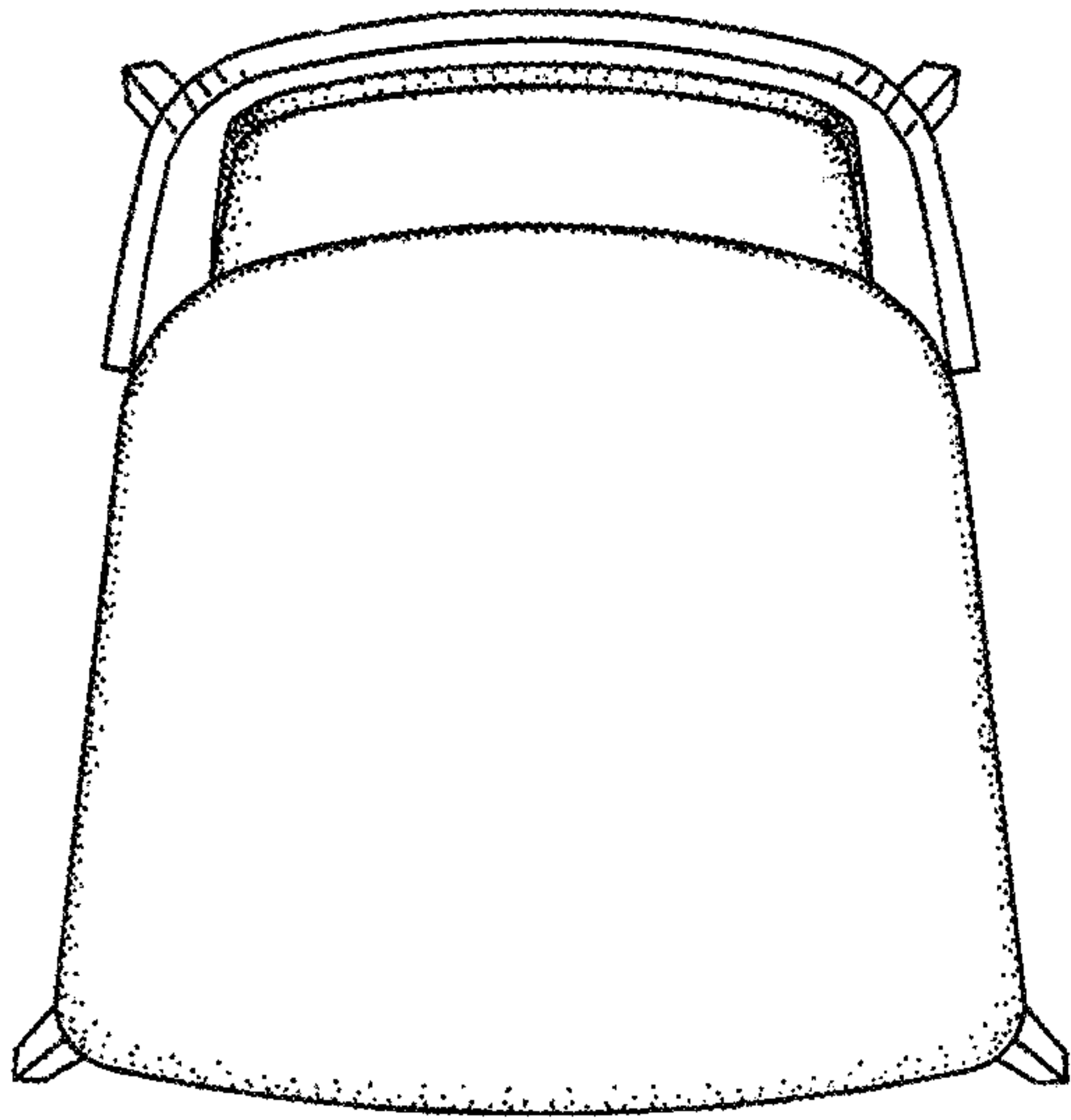


FIG. 4

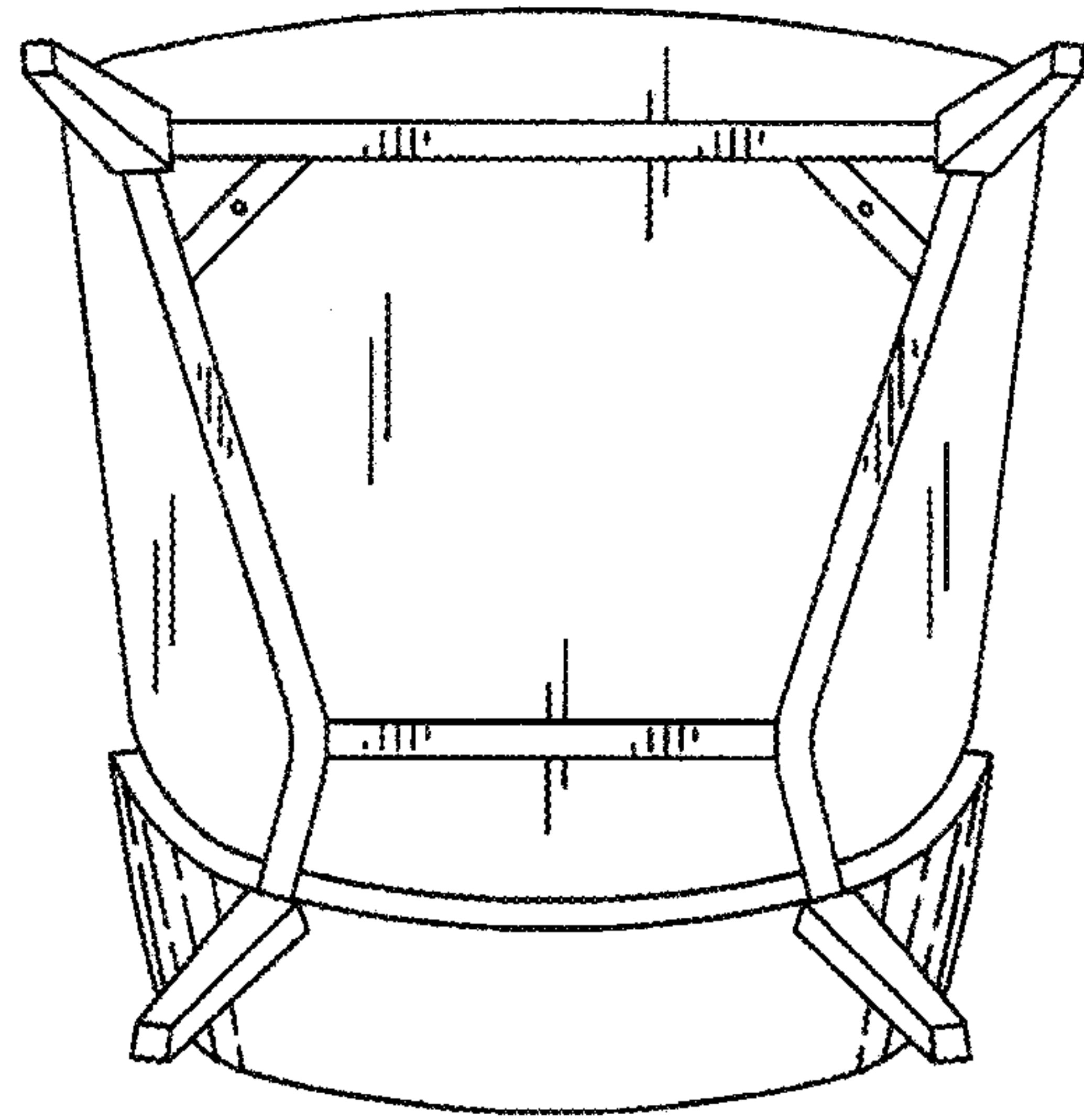


FIG. 5

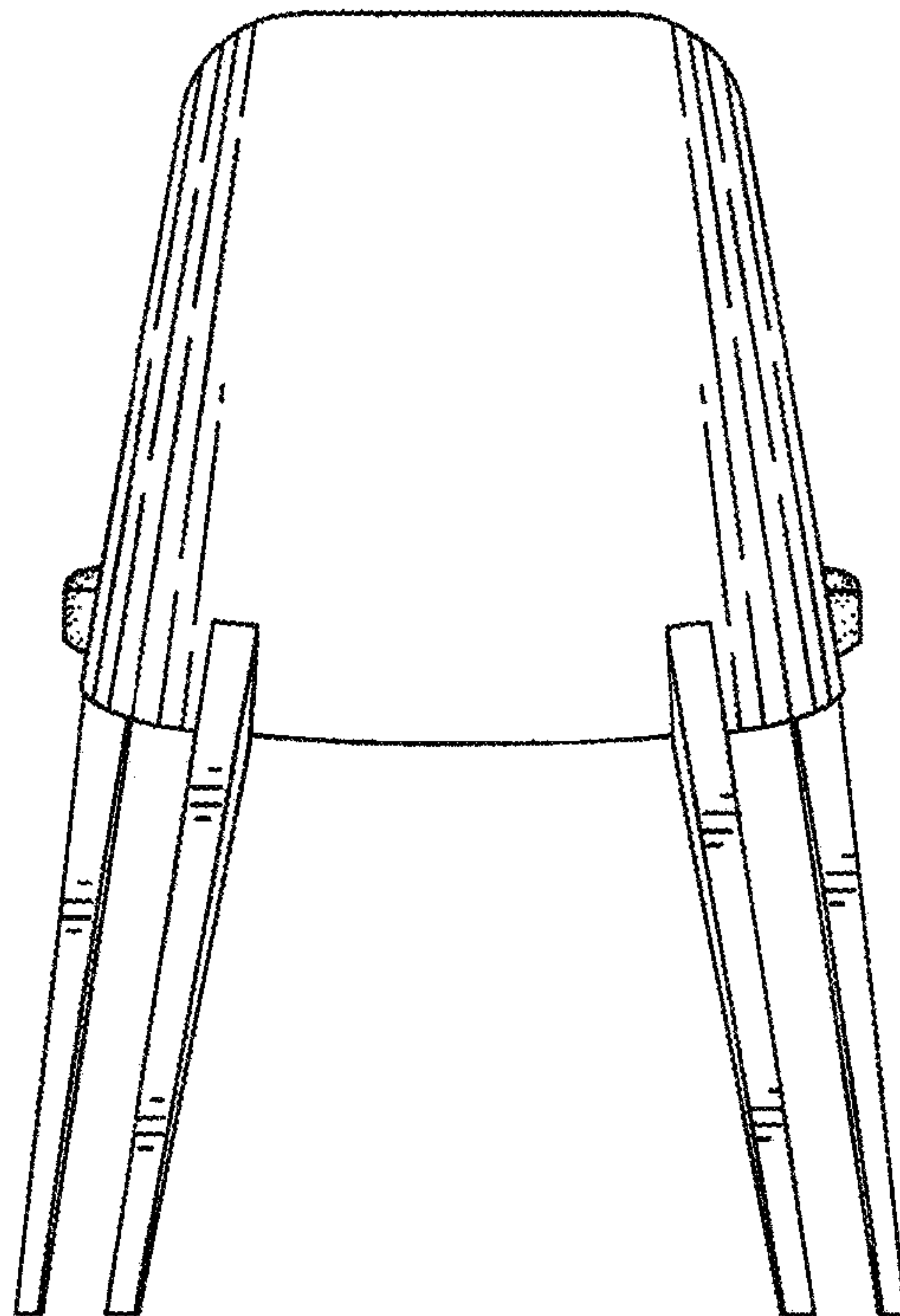


FIG. 6

FIG. 7

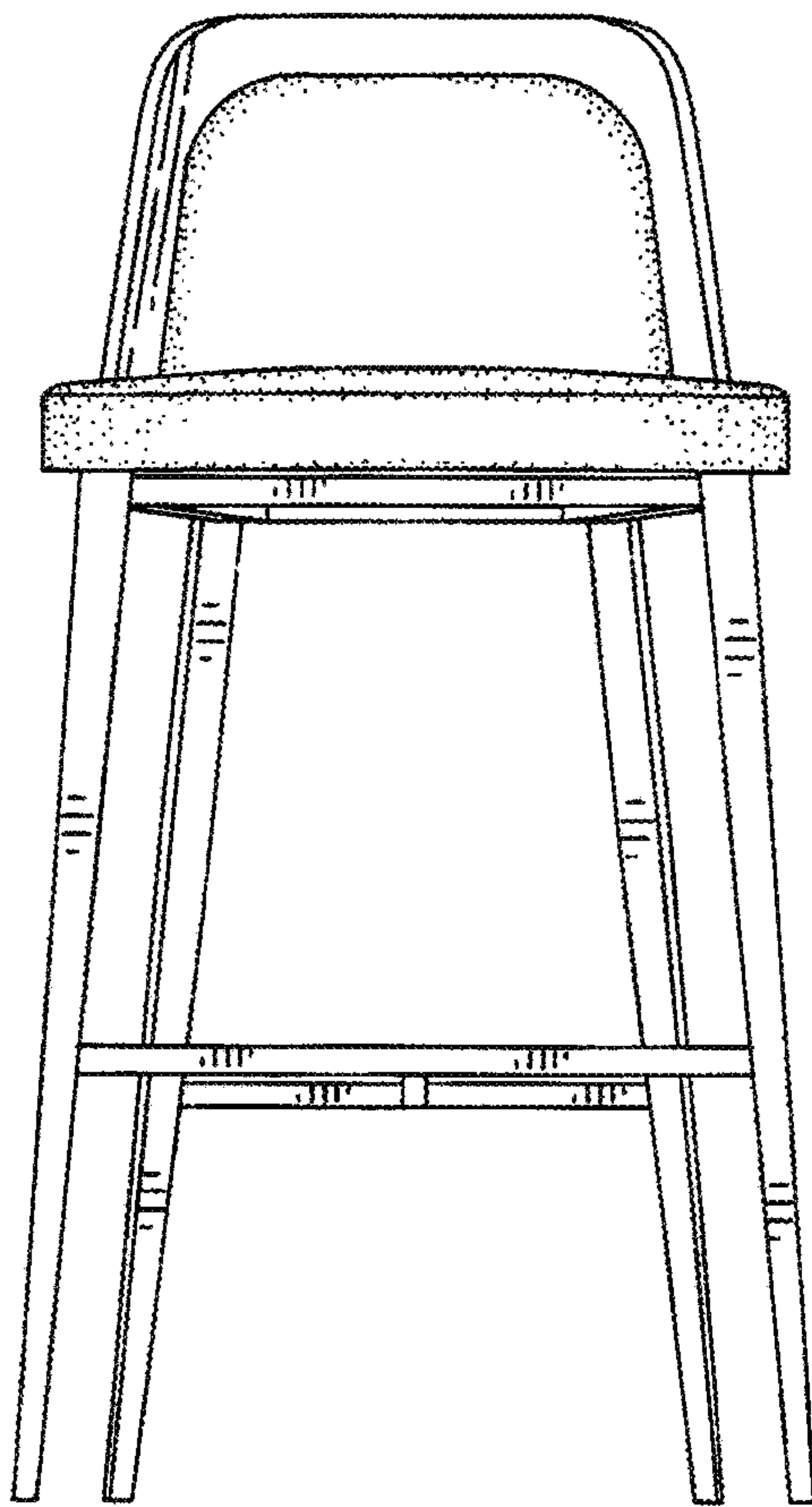
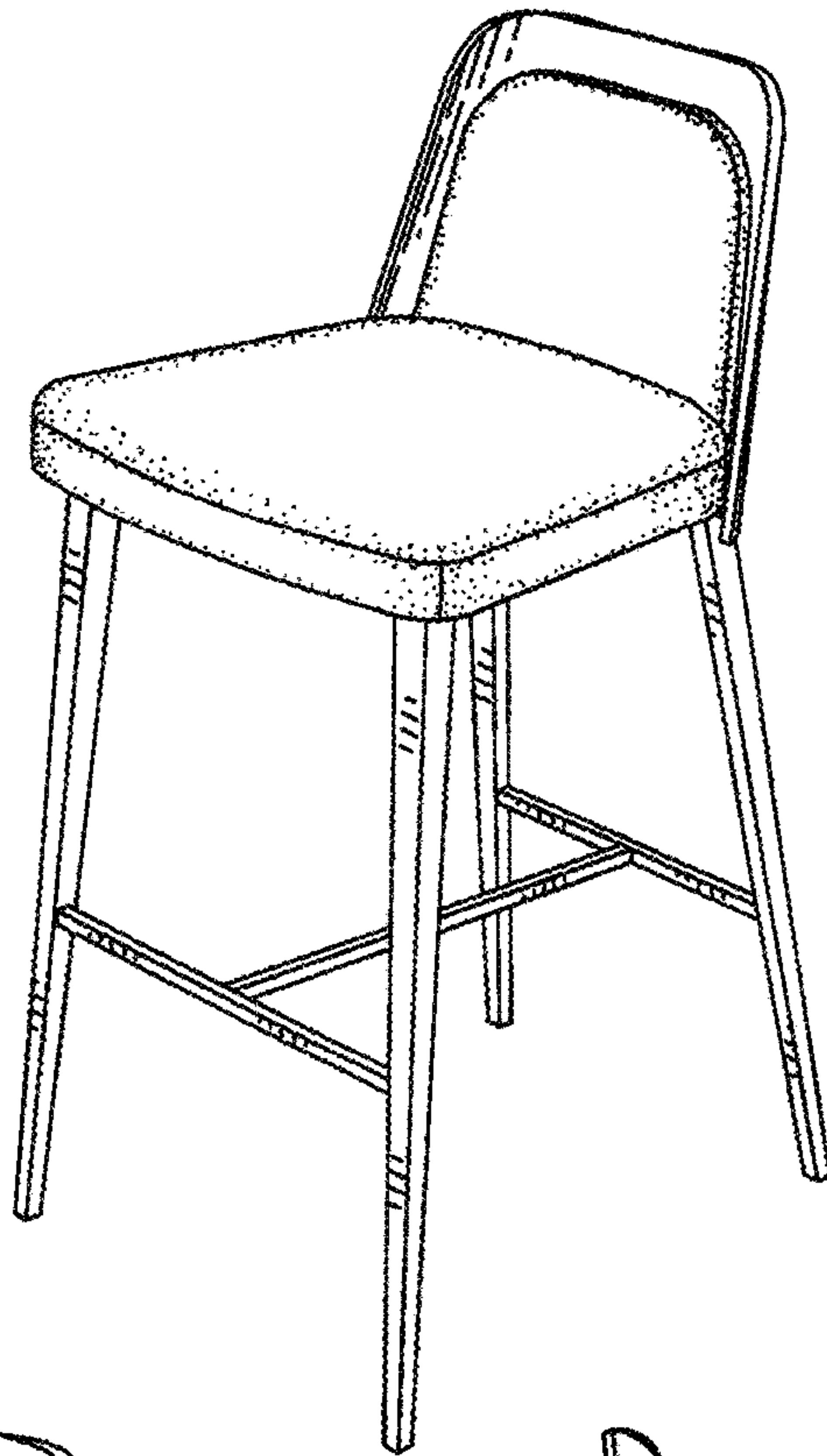


FIG. 8

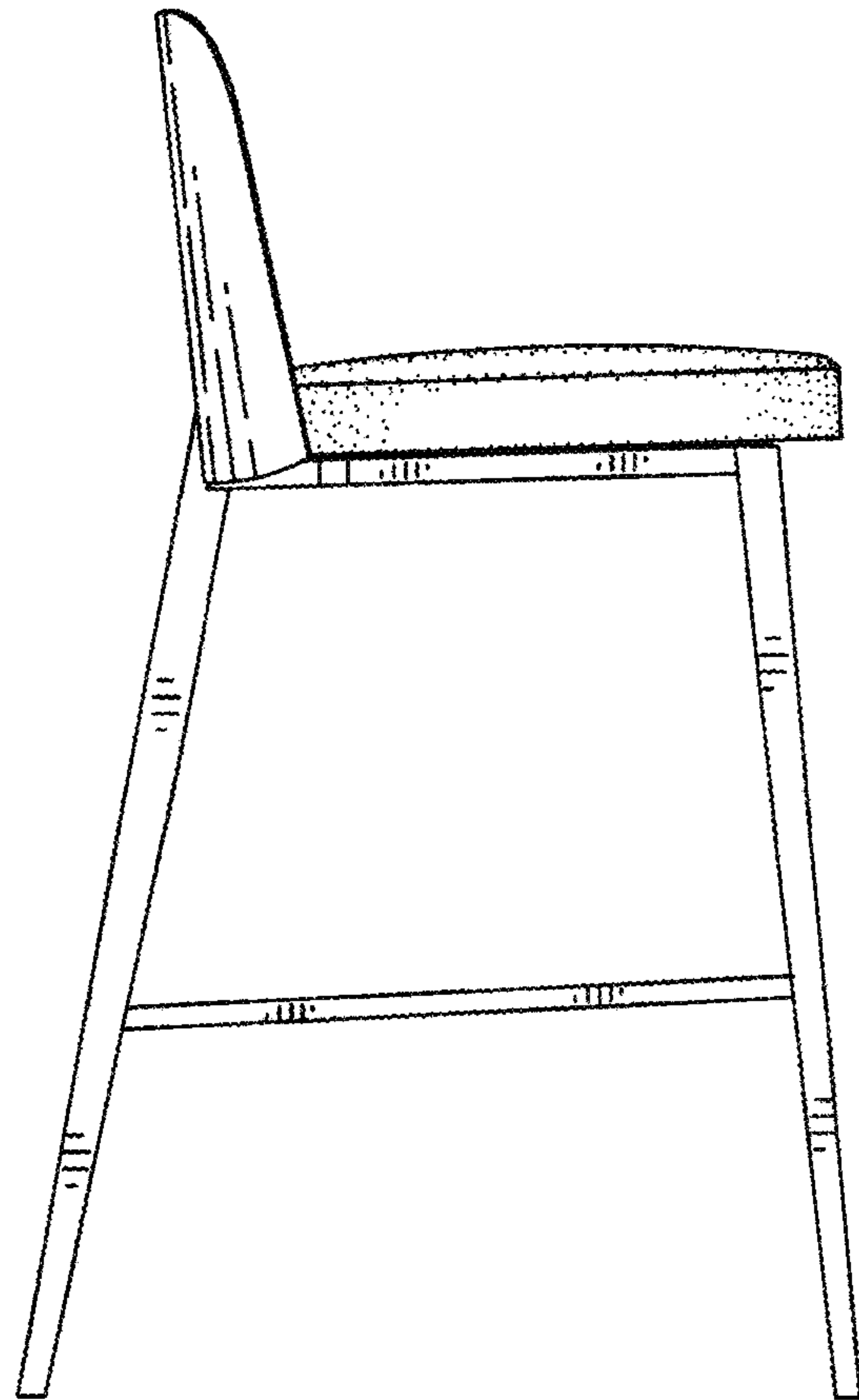


FIG. 9

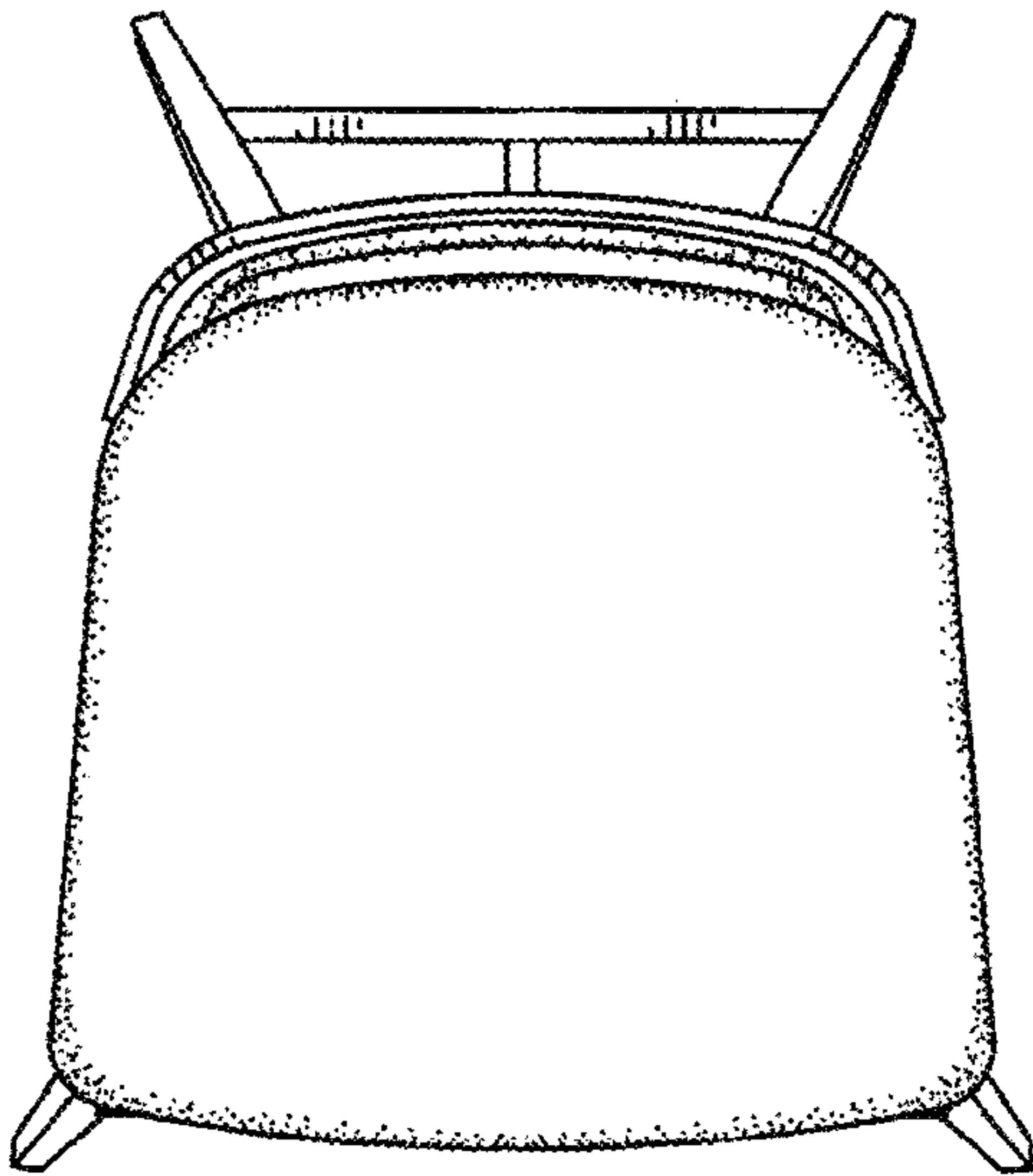


FIG. 10

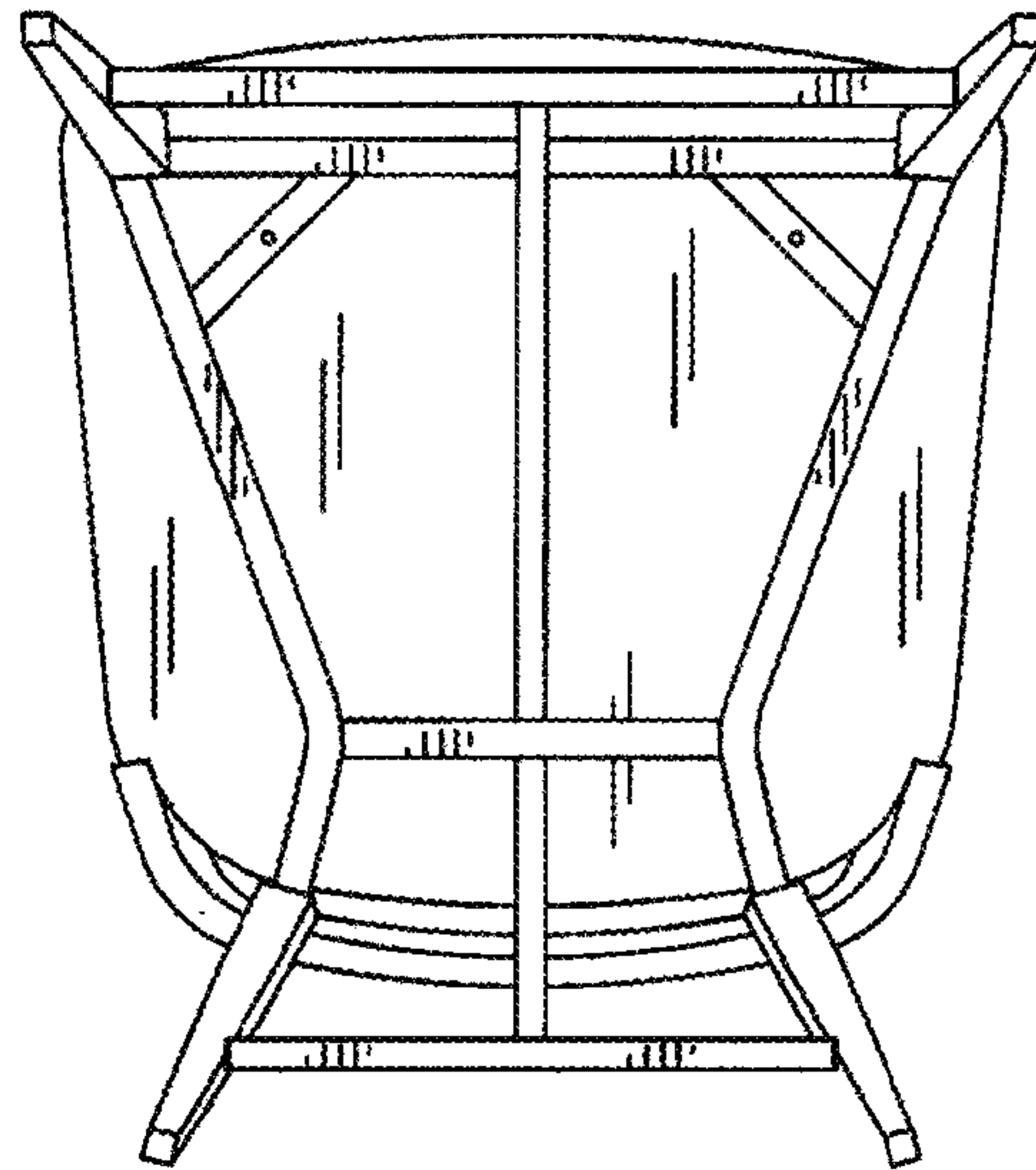


FIG. 11

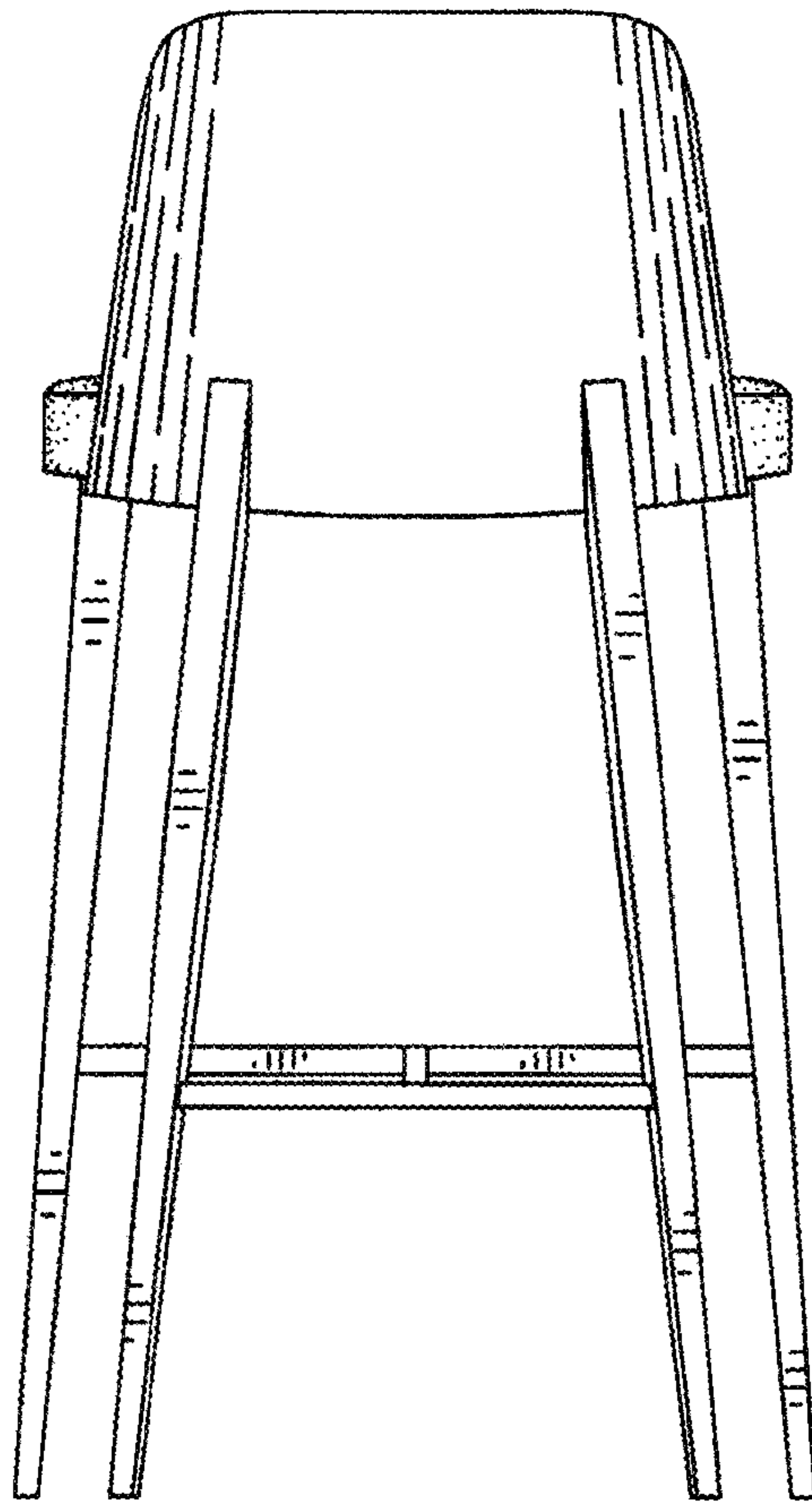


FIG. 12