



US00D785959S

(12) **United States Design Patent**  
**Cole**

(10) **Patent No.:** **US D785,959 S**

(45) **Date of Patent:** **\*\* May 9, 2017**

(54) **CHAIR**

(71) Applicant: **Stephen F. Cole**, Great River, NY (US)

(72) Inventor: **Stephen F. Cole**, Great River, NY (US)

(\*\*) Term: **15 Years**

(21) Appl. No.: **29/534,715**

(22) Filed: **Jul. 30, 2015**

(51) **LOC (10) Cl.** ..... **06-01**

(52) **U.S. Cl.**  
USPC ..... **D6/358; D6/370**

(58) **Field of Classification Search**  
USPC ..... D6/334-336, 345, 351, 358, 368, 370,  
D6/374, 379, 380, 716, 716.1, 716.3,  
D6/716.4; D9/658  
CPC .. A47C 1/026; A47C 4/02; A47C 4/03; A47C  
4/08; A47C 4/12; A47C 4/16; A47C 7/16;  
A47C 7/22

See application file for complete search history.

(56) **References Cited**

**U.S. PATENT DOCUMENTS**

D68,027 S \* 8/1925 Wurdack ..... D6/370  
D84,585 S \* 7/1931 Ledder et al. .... D6/370  
1,855,130 A \* 4/1932 Appleby ..... A47C 4/16  
297/31  
D109,239 S \* 4/1938 Wolpin ..... D6/370

D148,391 S \* 1/1948 Plourde et al. .... D6/370  
4,707,023 A \* 11/1987 Hickey ..... A47C 4/08  
297/31  
D352,609 S \* 11/1994 Bruce ..... D6/334  
D589,270 S \* 3/2009 Siomades ..... D6/358  
D592,867 S \* 5/2009 Siomades ..... D6/358  
D619,902 S \* 7/2010 Morgan ..... D9/658  
D679,917 S \* 4/2013 Egbert ..... D6/370

\* cited by examiner

*Primary Examiner* — Mimoso De

(74) *Attorney, Agent, or Firm* — Sorell, Lenna &  
Schmidt, LLP

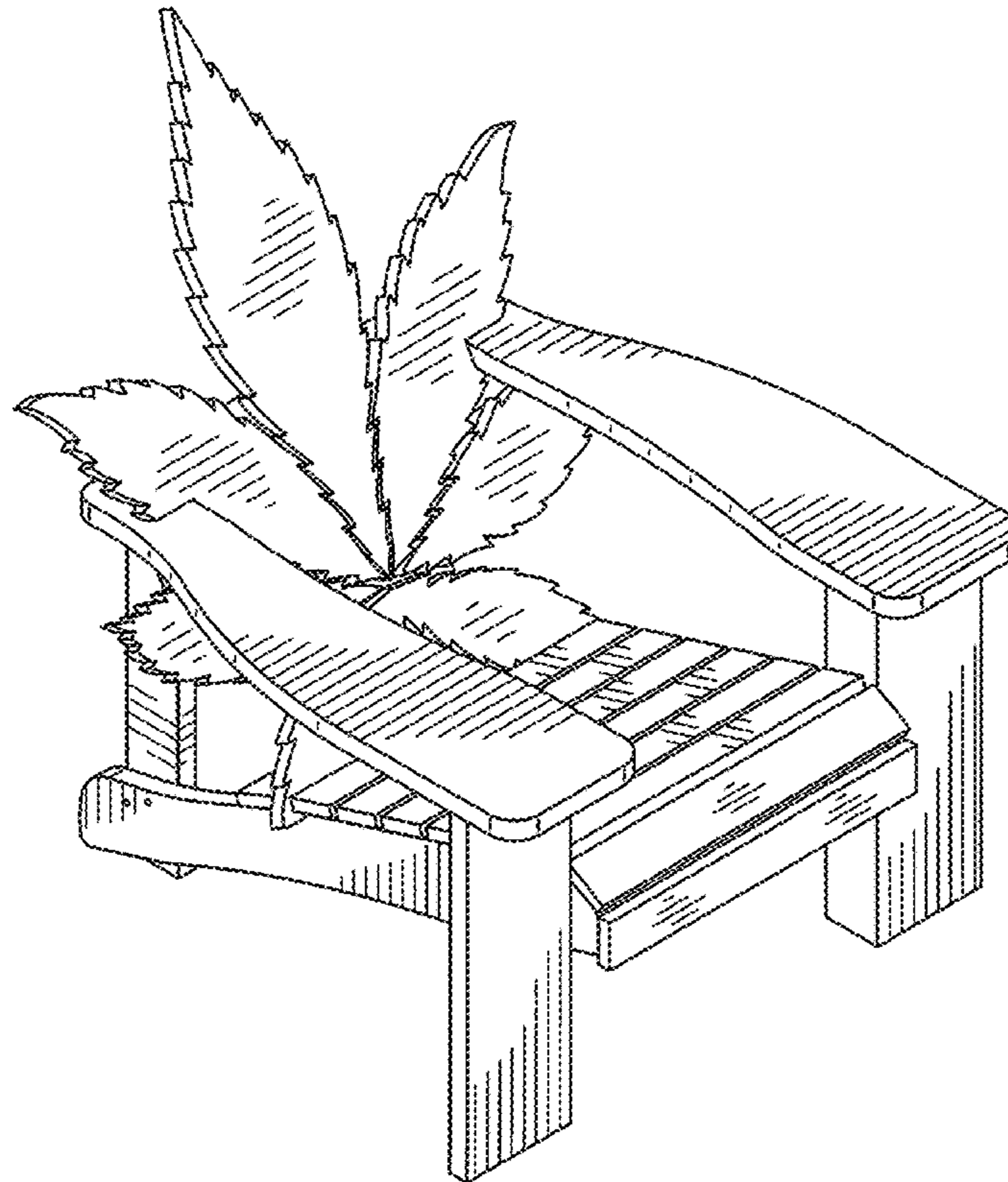
(57) **CLAIM**

The ornamental design for a chair, as shown and described.

**DESCRIPTION**

FIG. 1 is a front perspective view of the chair;  
FIG. 2 is a rear view of the chair;  
FIG. 3 is a top view of the chair;  
FIG. 4 is a bottom view of the chair;  
FIG. 5 is a right side view of the chair;  
FIG. 6 is a left side view of the chair;  
FIG. 7 is a front view of the chair; and,  
FIG. 8 is a back view of the chair.

**1 Claim, 8 Drawing Sheets**



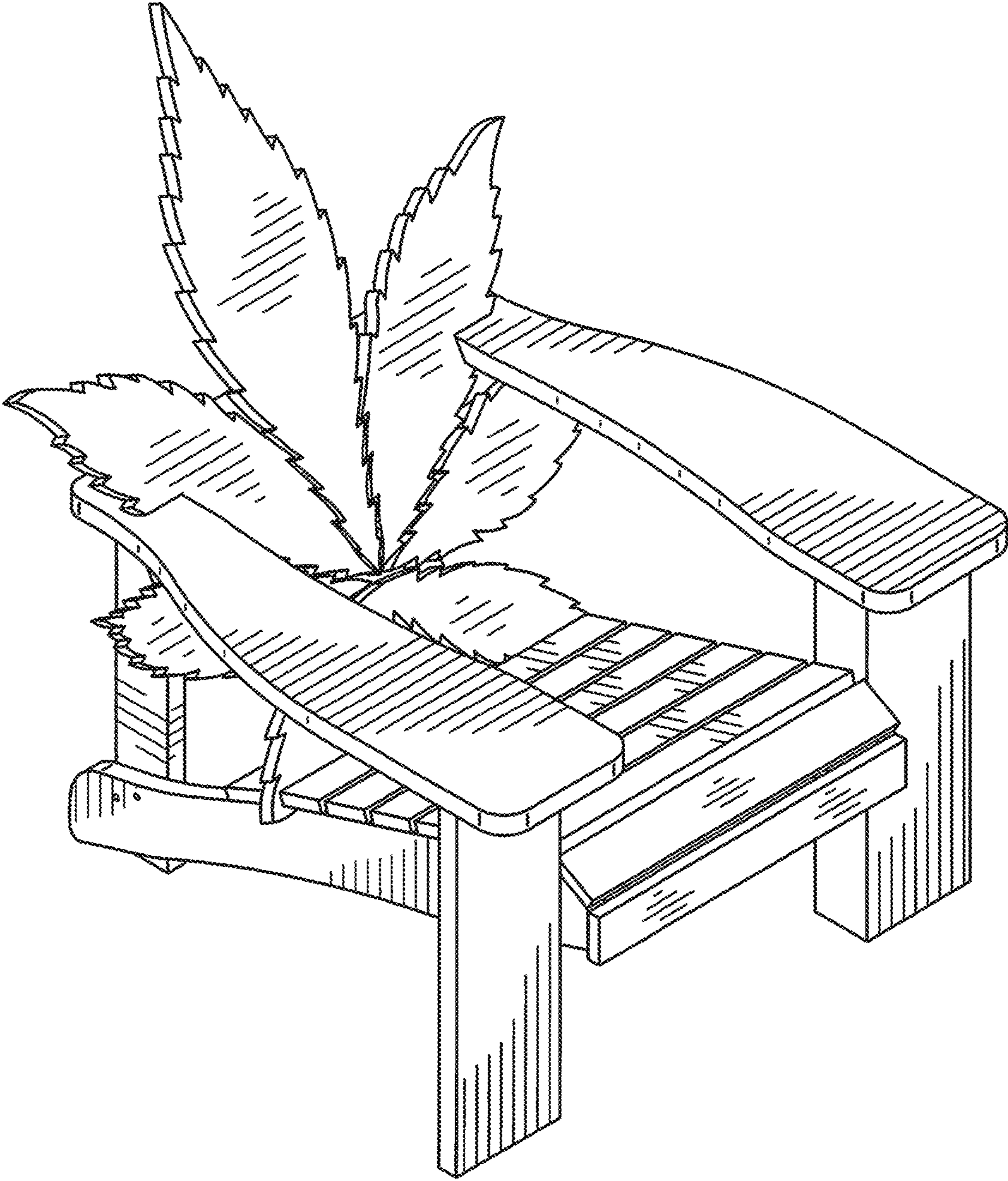


FIG. 1

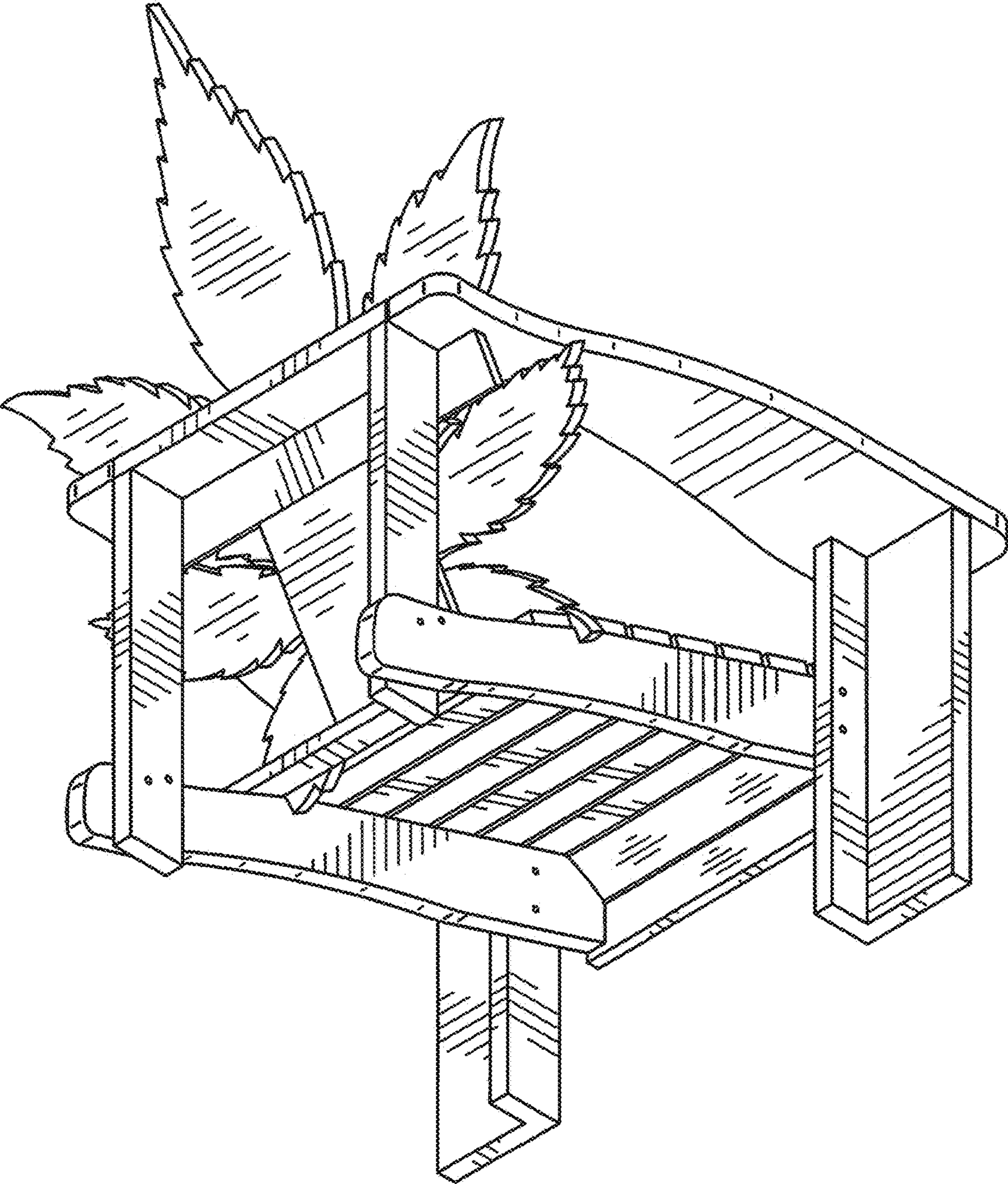


FIG. 2

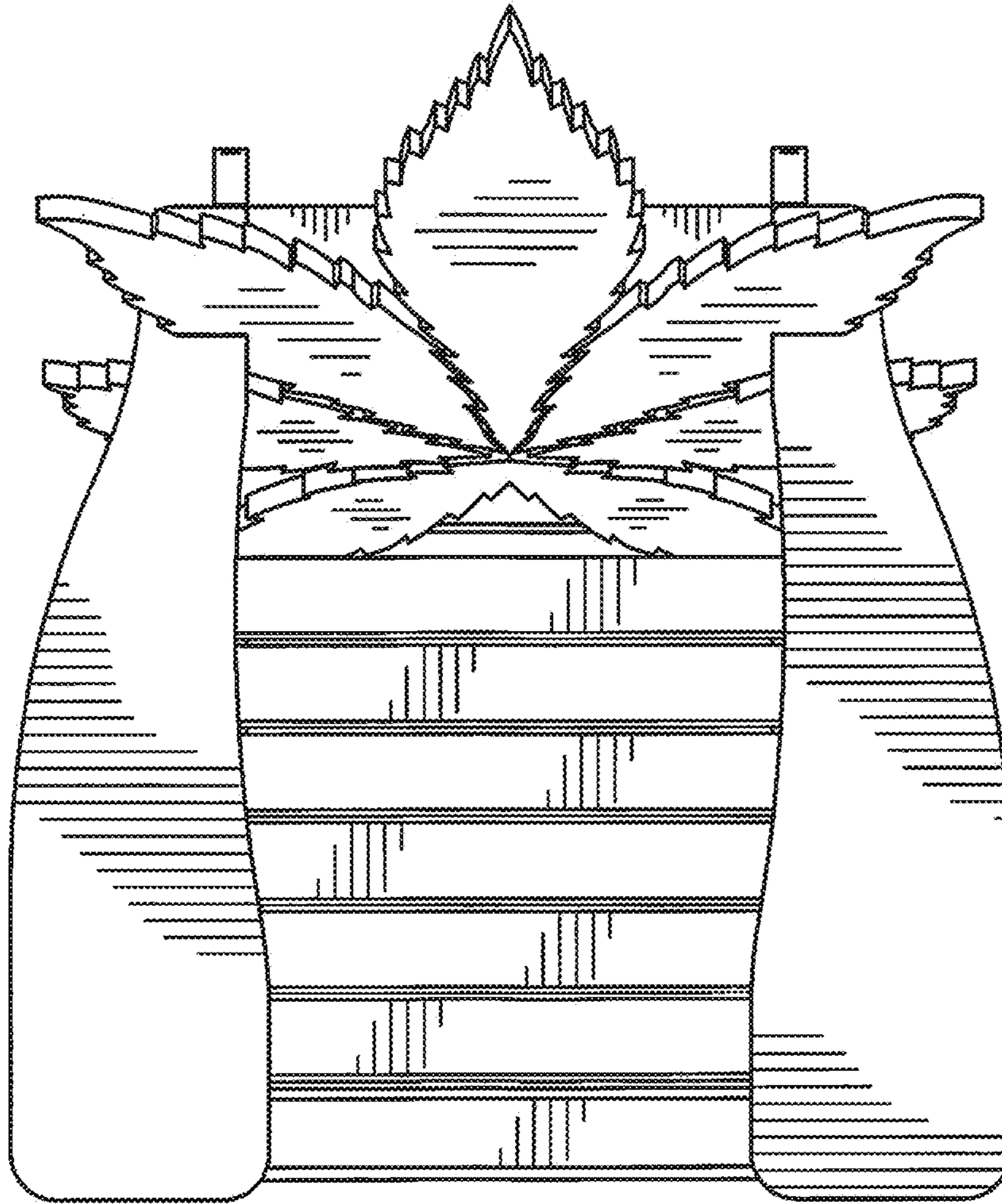


FIG. 3

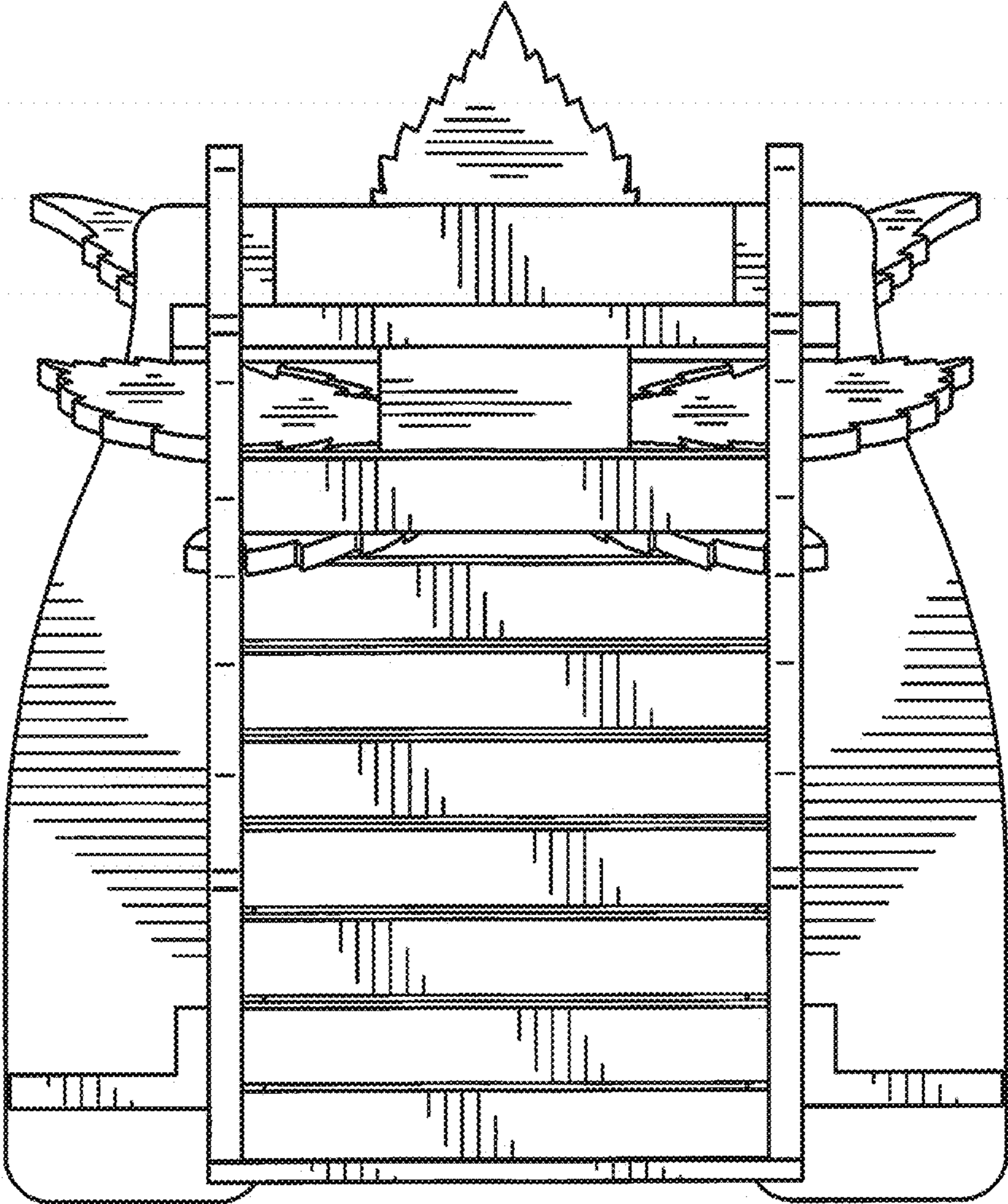


FIG. 4

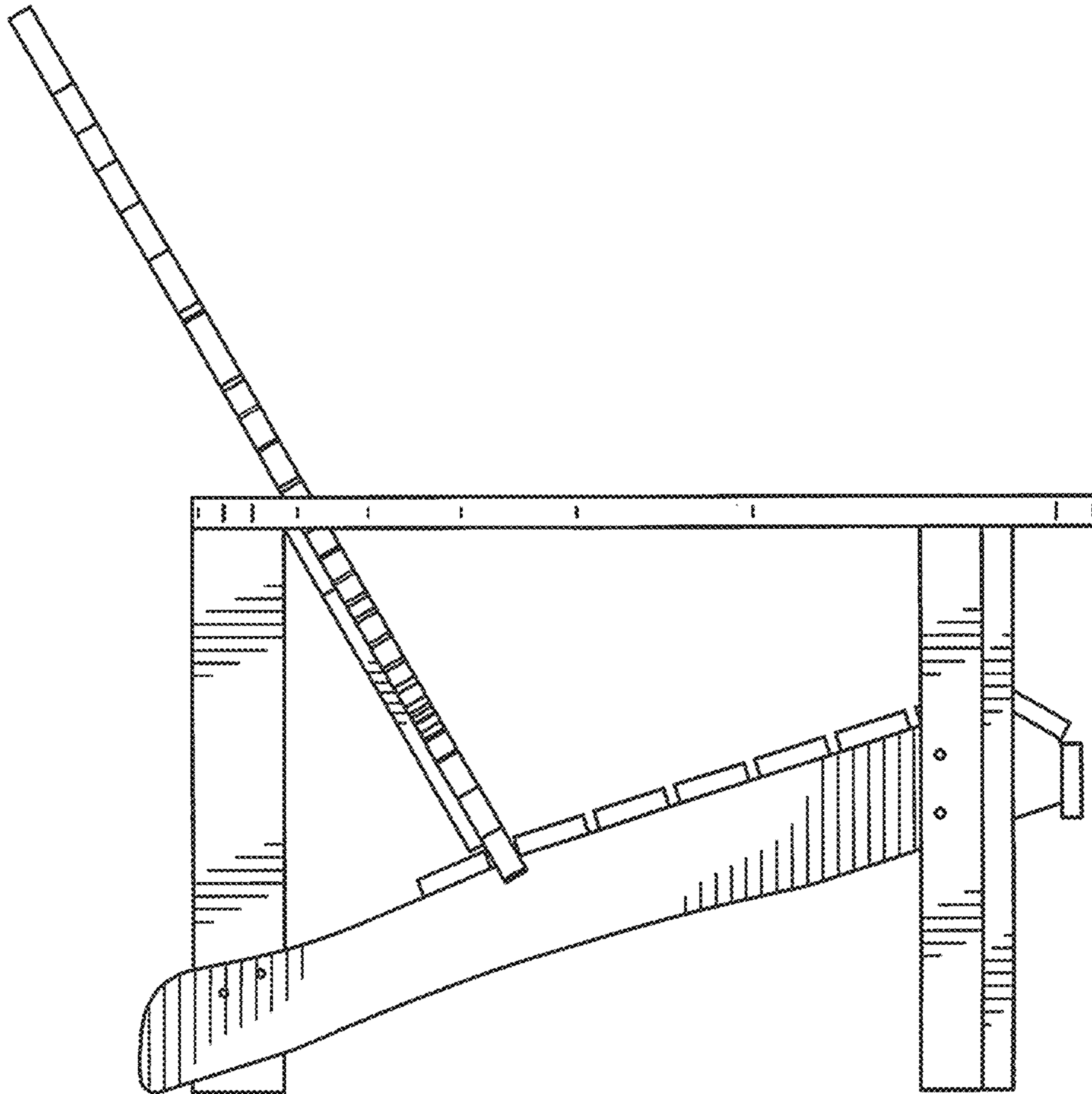


FIG. 5

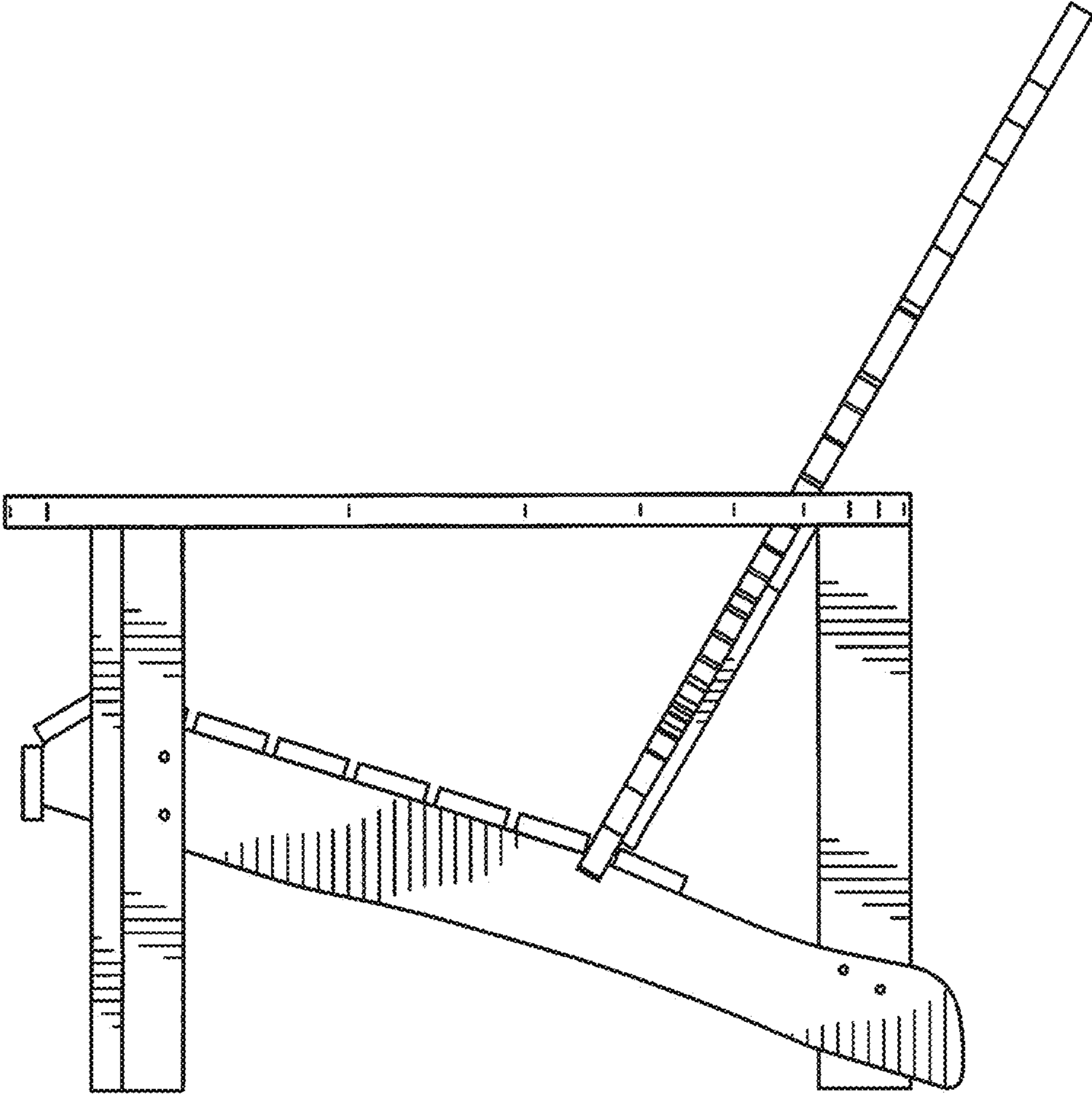


FIG. 6

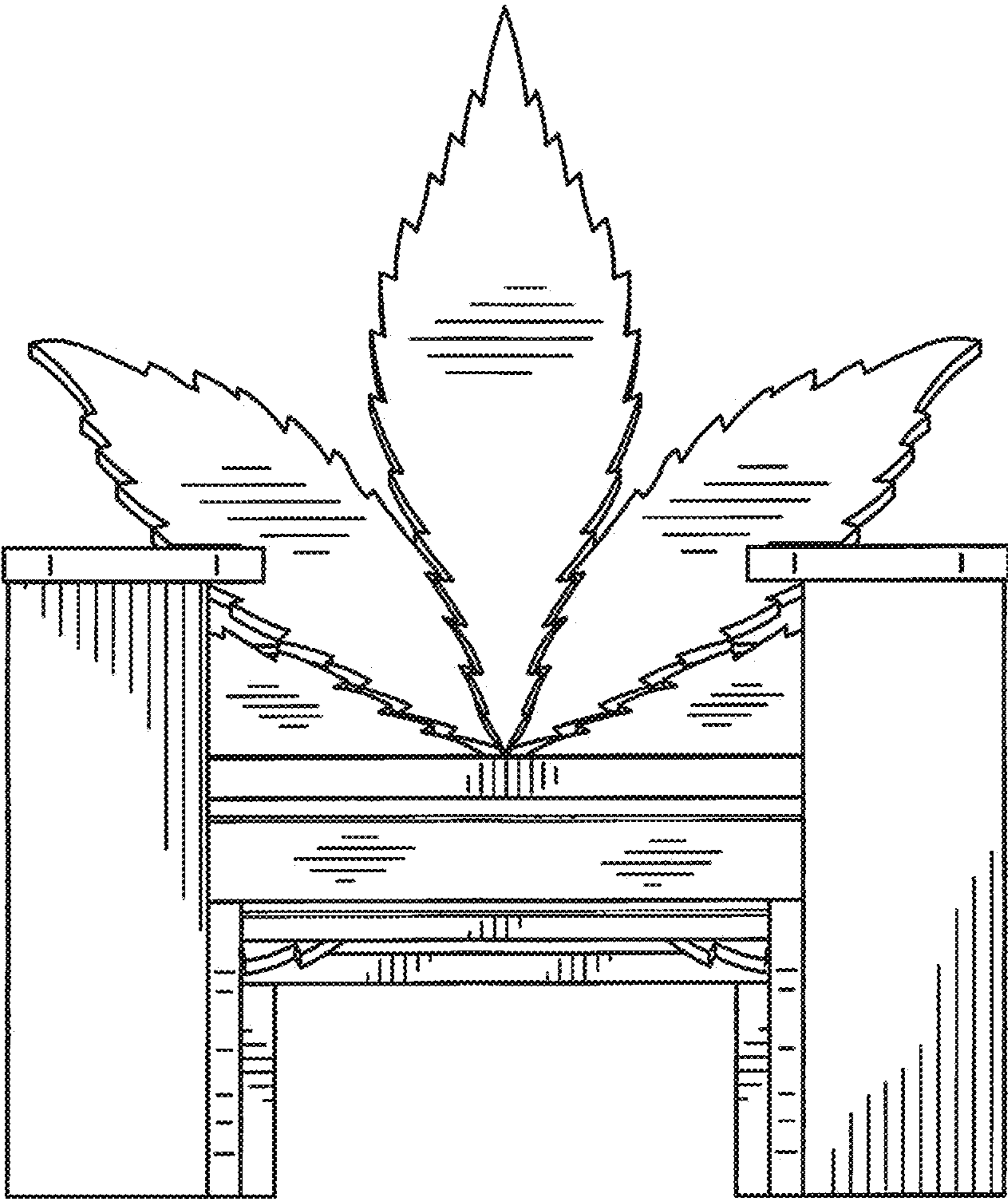


FIG. 7



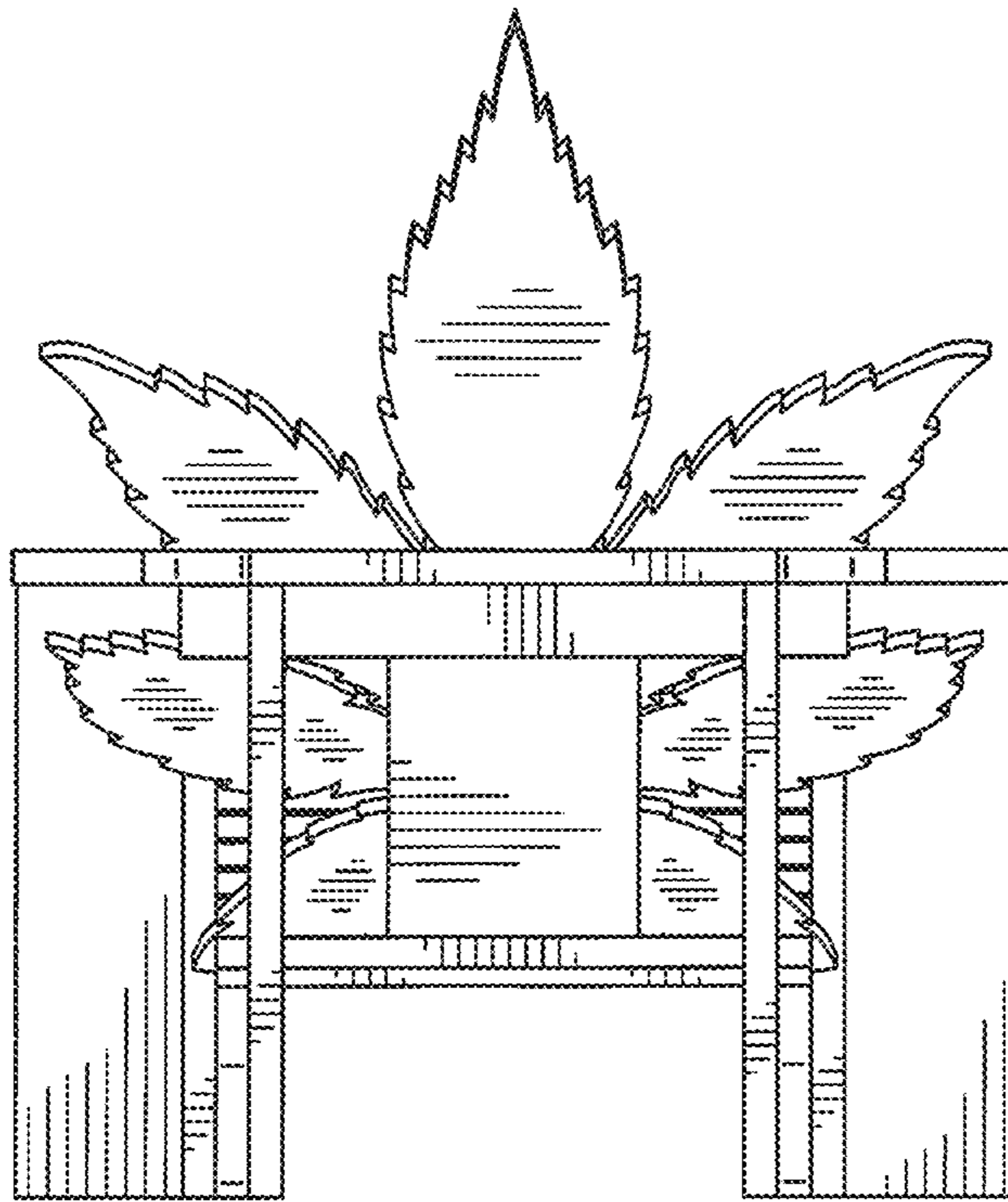


FIG. 8