



US00D785957S

(12) **United States Design Patent** (10) **Patent No.:** **US D785,957 S**
Dadoosh et al. (45) **Date of Patent:** **** May 9, 2017**

- (54) **SEAT**
- (71) Applicant: **Green Ride Ltd.**, Haifa (IL)
- (72) Inventors: **Ori Dadoosh**, Herzliya (IL); **Ori Yemini**, Elyakhin (IL)
- (73) Assignee: **Green Ride Ltd.**, Haifa (IL)
- (**) Term: **15 Years**
- (21) Appl. No.: **29/546,392**
- (22) Filed: **Nov. 22, 2015**
- (51) **LOC (10) Cl.** **06-01**
- (52) **U.S. Cl.**
USPC **D6/354**
- (58) **Field of Classification Search**
USPC D6/340, 354; D12/110, 111
CPC ... B62J 1/002; B62J 1/005; B62J 1/007; B62J
1/26
See application file for complete search history.

D507,421 S * 7/2005 Lawson D6/354
D760,508 S * 7/2016 Luke D6/354
D773,839 S * 12/2016 Player D6/354

* cited by examiner

Primary Examiner — George D Kirschbaum
Assistant Examiner — Natasha Vujcic
(74) *Attorney, Agent, or Firm* — Guy Levi; The IP Law Firm of Guy Levi, LLC

(57) **CLAIM**

We claim, the ornamental design for a seat, as shown and described.

DESCRIPTION

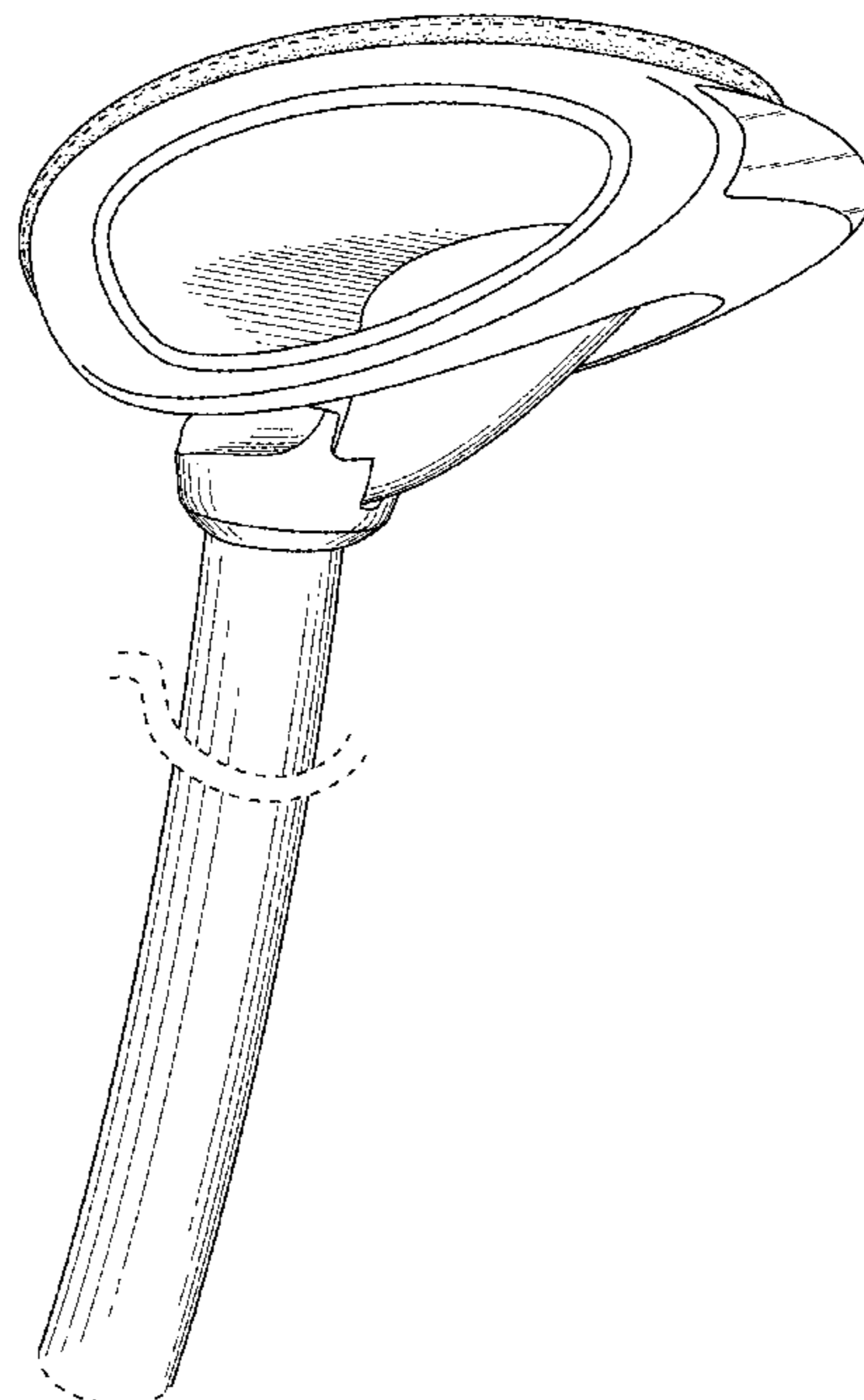
FIG. 1 shows a bottom left rear perspective of a seat showing our new design;
FIG. 2 shows a bottom left front perspective thereof;
FIG. 3 shows a side left elevation view thereof, the right side view being symmetrical;
FIG. 4 shows a top plan view thereof;
FIG. 5 shows a bottom plan view thereof;
FIG. 6 shows a rear elevation view thereof; and,
FIG. 7 shows a front elevation view thereof.
The broken lines in the drawings illustrate portions of the seat which forms no part of the claimed design.
Stippling indicates contrast in materials and/or texture and is not intended to represent any specific color.
The surface shading lines on the claimed portion (for example, on the seat post and the through hole in the seat body), are provided only to indicate the character and/or any contour or curvature of the surfaces. They do not indicate color, texture, markings that actually exist thereon, indicia, graphic representations, surface treatment, or any other ornamentation applied to the seat.

(56) **References Cited**

U.S. PATENT DOCUMENTS

4,130,263 A * 12/1978 Roericht A47C 9/025
248/158
4,877,286 A * 10/1989 Hobson B62J 1/002
297/201
D315,646 S * 3/1991 Hood D6/354
D335,584 S * 5/1993 Addison D6/354
D370,132 S * 5/1996 Urias D6/354
6,290,291 B1 * 9/2001 Kojima B62J 1/10
297/201
6,450,572 B1 * 9/2002 Kuipers B62J 1/00
297/195.1

1 Claim, 5 Drawing Sheets



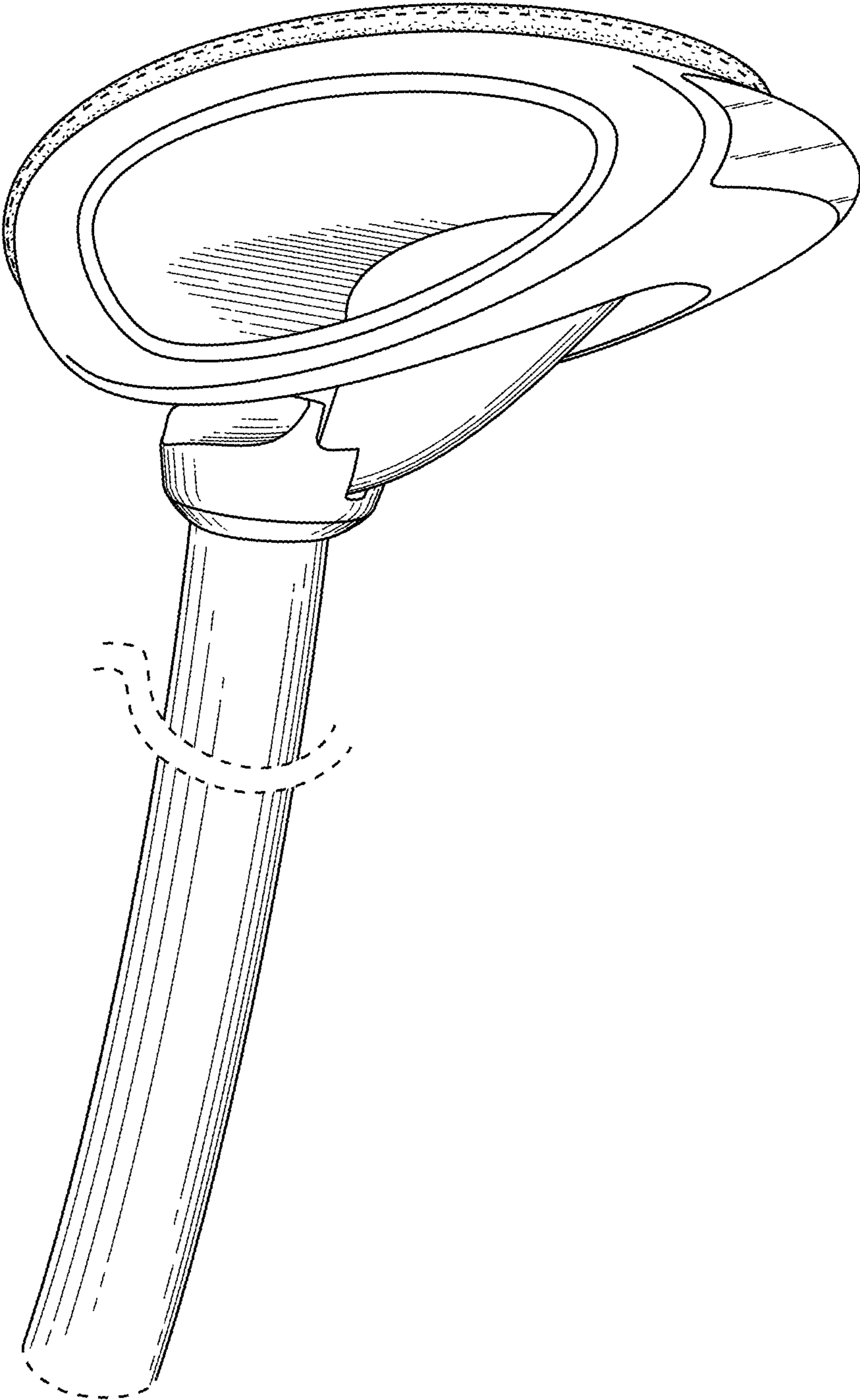


FIG. 1

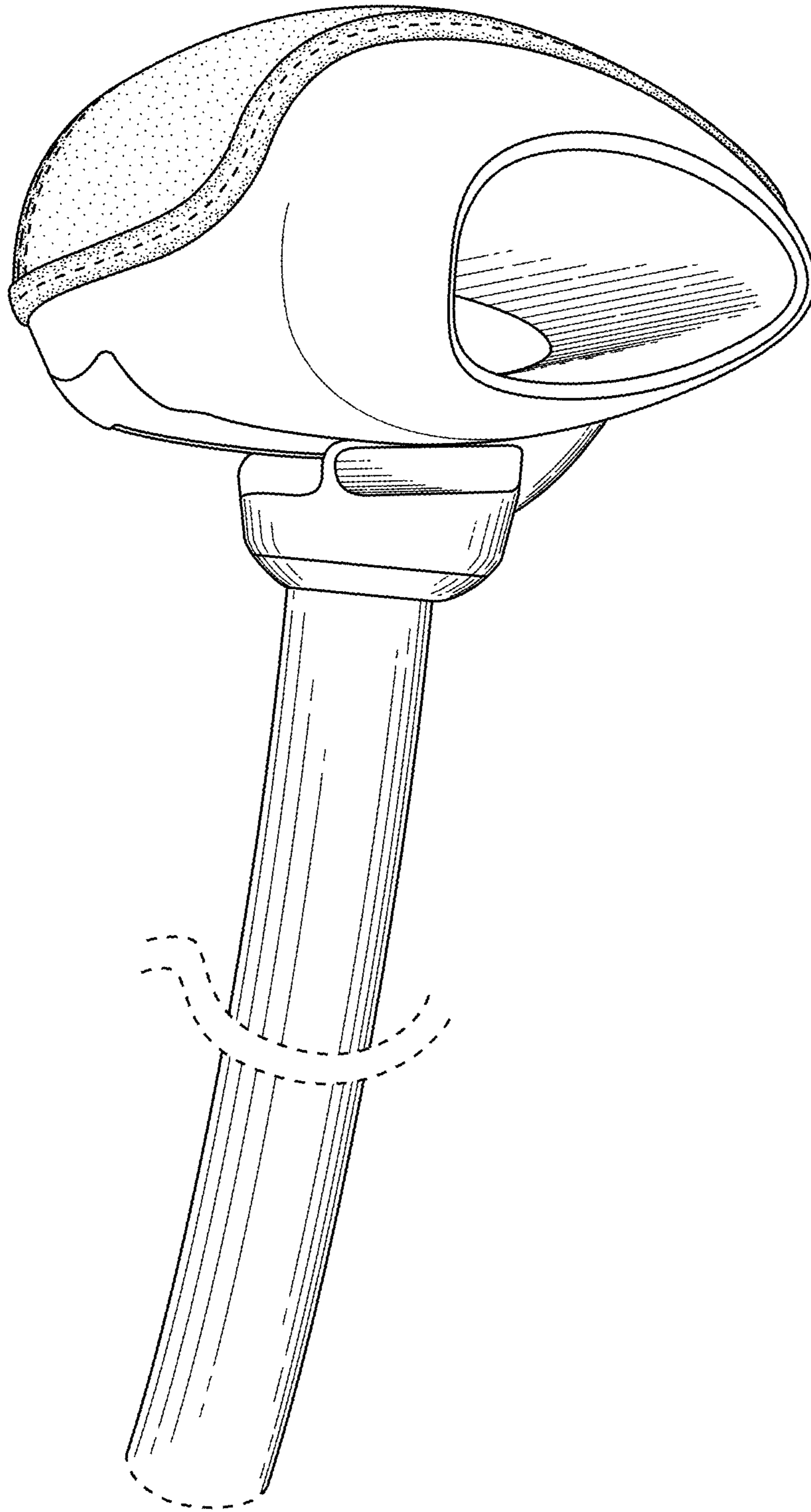


FIG. 2

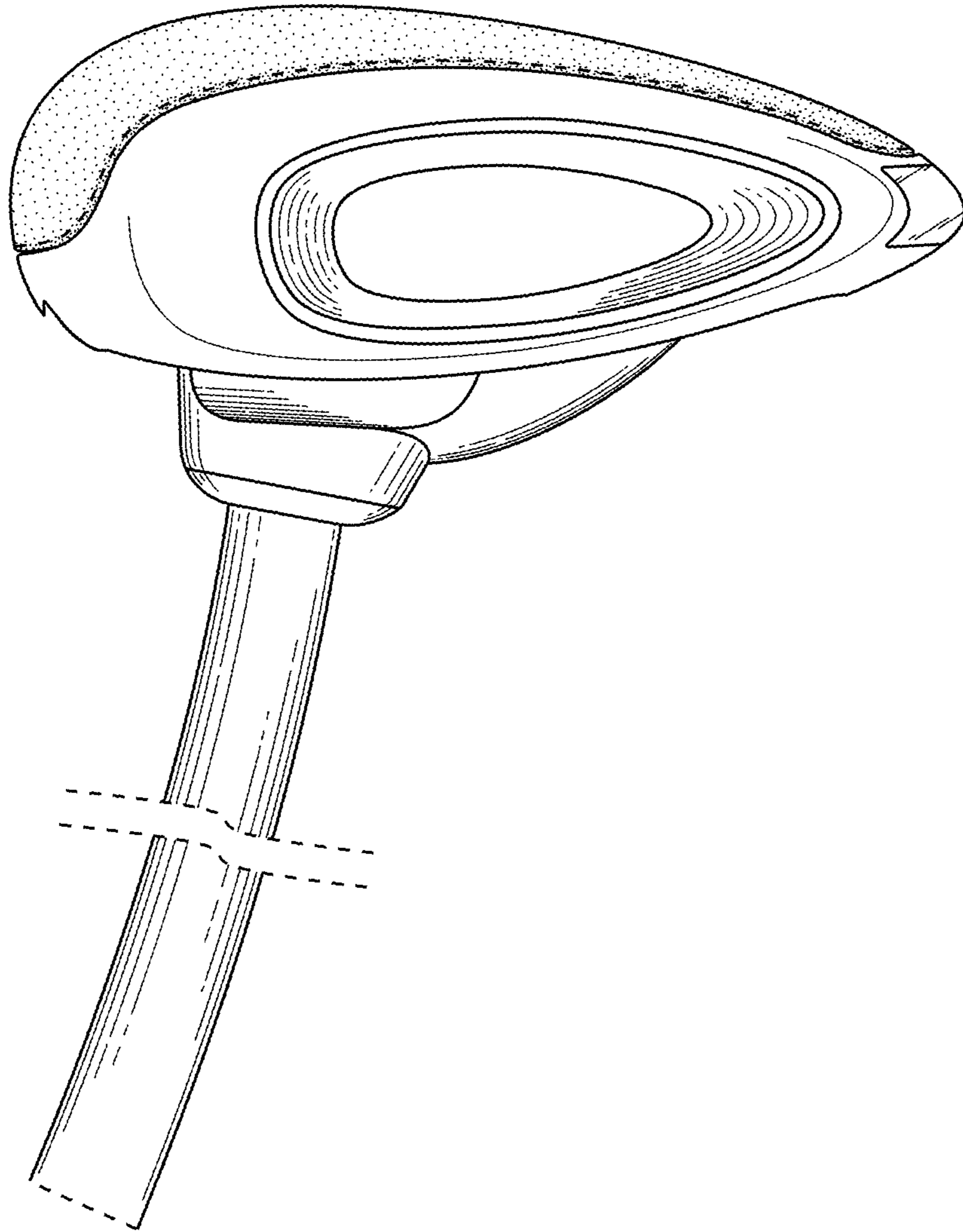


FIG. 3

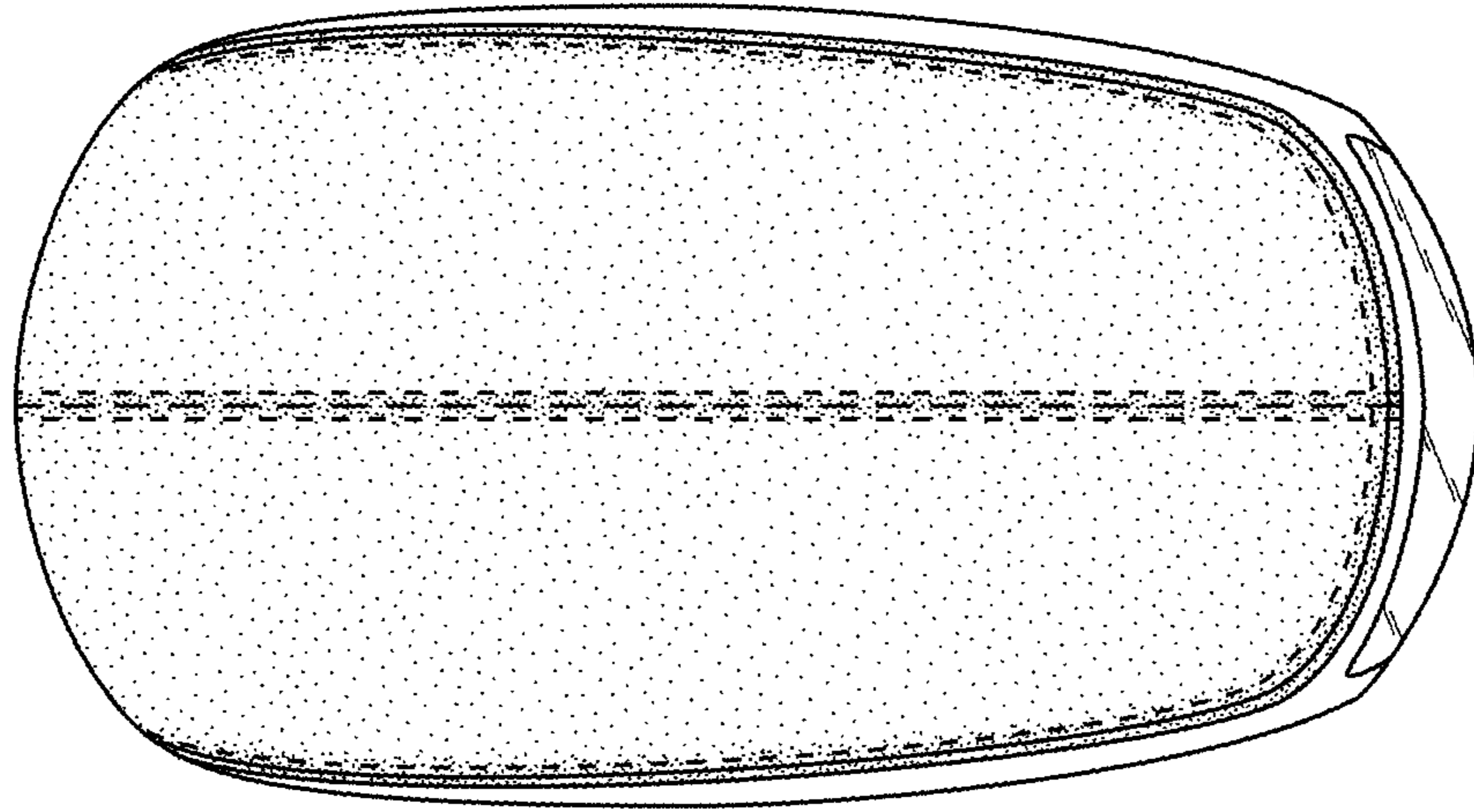


FIG. 4

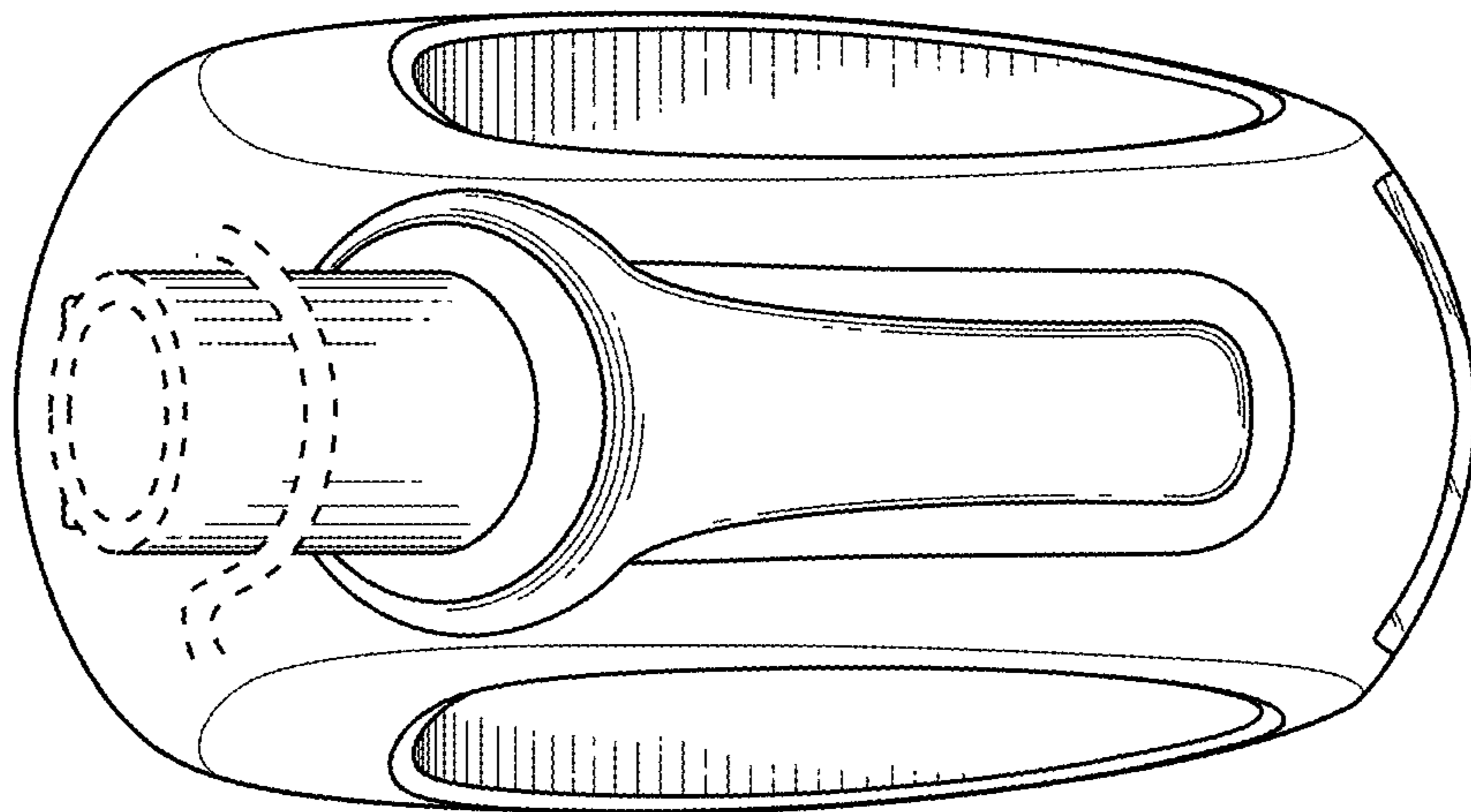


FIG. 5

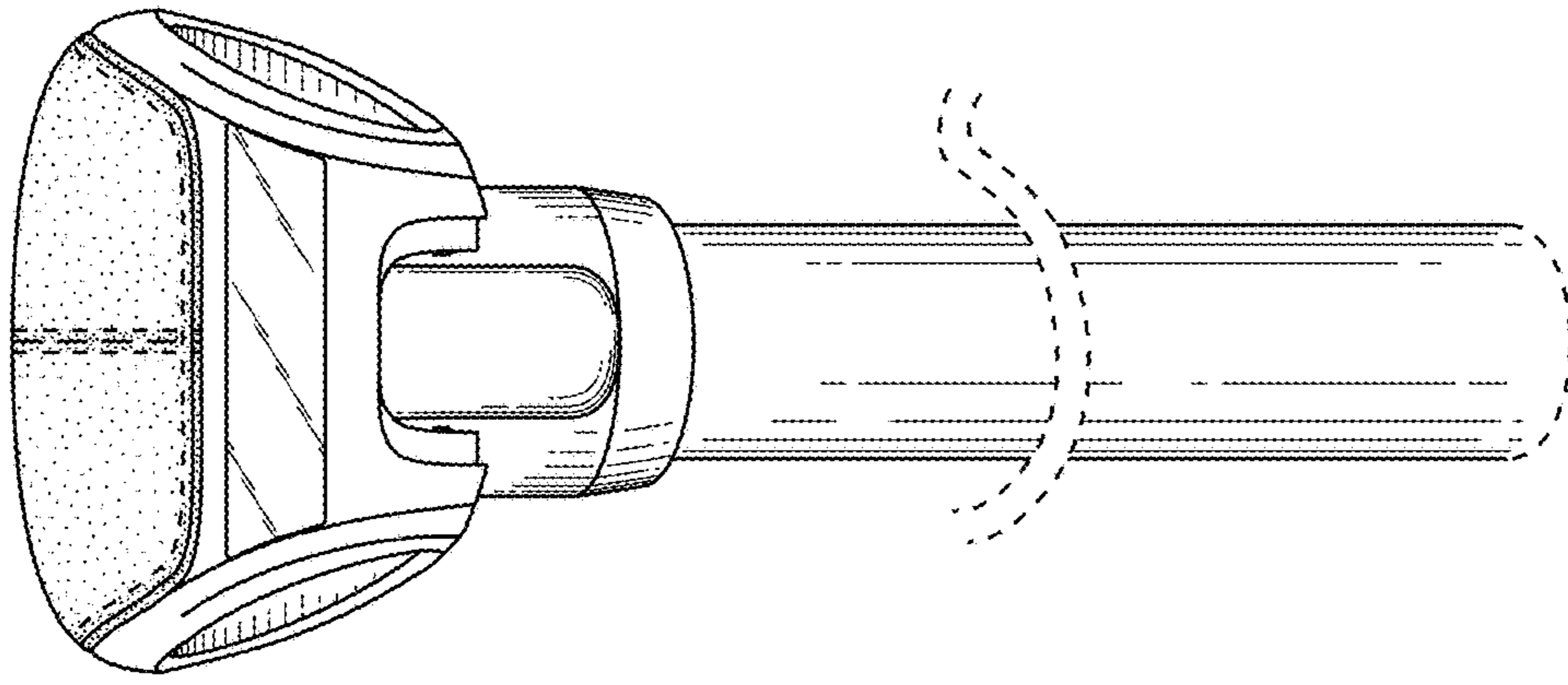


FIG. 7

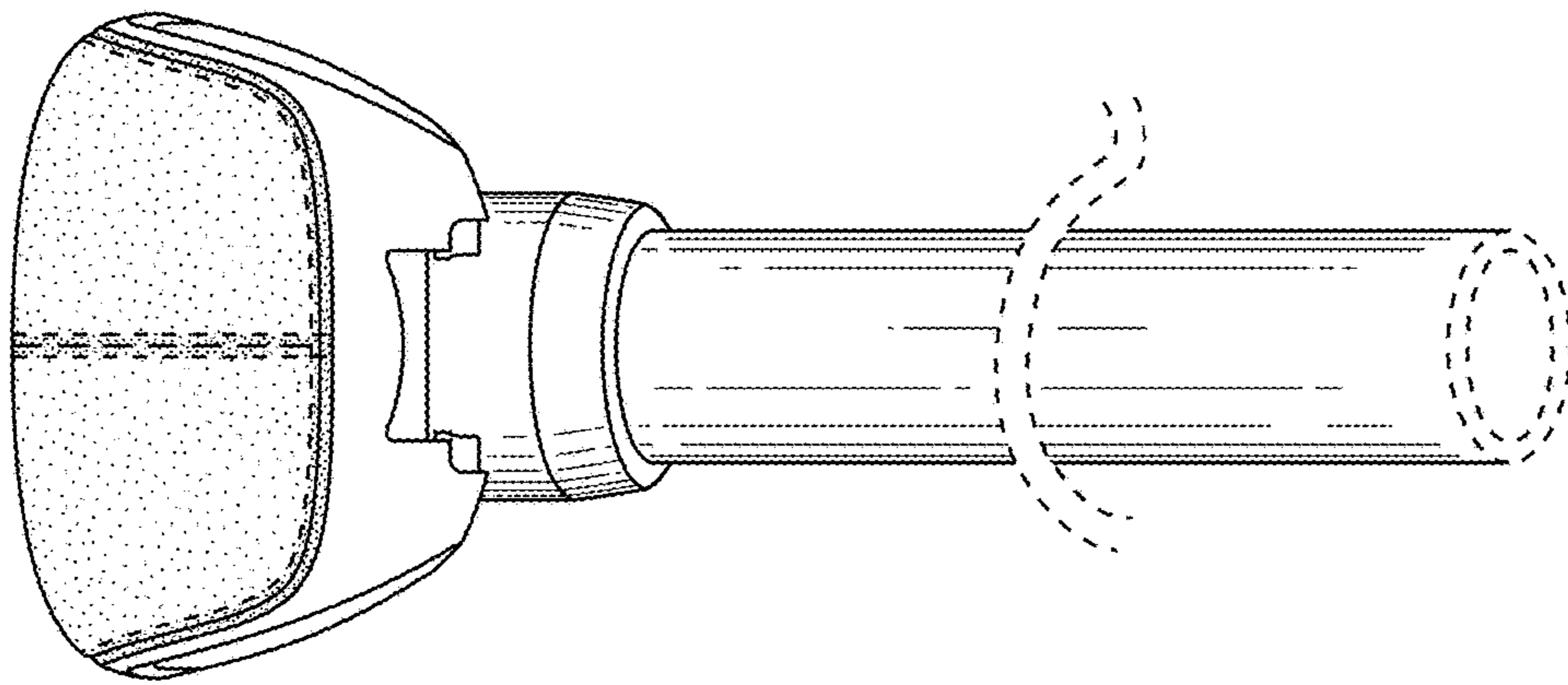


FIG. 6