



US00D785956S

(12) **United States Design Patent** (10) **Patent No.:** **US D785,956 S**
Stricklin et al. (45) **Date of Patent:** **** May 9, 2017**

(54) **TOILET STOOL**
(71) Applicants: **Bruce William Stricklin**, Houston, TX (US); **Barbara Stricklin**, Houston, TX (US)
(72) Inventors: **Bruce William Stricklin**, Houston, TX (US); **Barbara Stricklin**, Houston, TX (US)
(**) Term: **15 Years**
(21) Appl. No.: **29/529,437**
(22) Filed: **Jun. 7, 2015**
(51) **LOC (10) Cl.** **06-01**
(52) **U.S. Cl.**
USPC **D6/349**
(58) **Field of Classification Search**
USPC D6/334-335, 349-355, 358, 360, D6/362-365, 370, 374, 381, 601, 604, D6/691, 691.1, 691.4, 692, 693, 694, D6/694.2; D23/309
CPC .. A47C 9/00; A47C 9/02; A47C 9/002; A47C 9/007; A47C 9/025; A47C 9/10; A47C 11/00; A47C 12/00; A47C 13/00; A47C 16/02; A47C 5/02; A47C 5/04; A47C 5/043; A47C 7/00-7/006; A47C 7/02; A47B 3/00; A47B 3/02; A47B 3/04; A47B 3/12
See application file for complete search history.

(56) **References Cited**
U.S. PATENT DOCUMENTS
2,023,901 A 12/1935 Rhodes
D122,479 S 9/1940 Burt
D148,632 S * 2/1948 Martin 297/423.41
4,244,064 A 1/1981 Parr
D268,796 S 5/1983 Kola
D297,789 S 9/1988 Stepien

5,028,024 A 7/1991 Welles
D396,357 S 7/1998 Perrin et al.
D398,678 S 9/1998 Terry et al.
5,809,583 A 9/1998 Pucciani
6,256,800 B1 7/2001 Isbit
D465,610 S 11/2002 Graham
D483,084 S 12/2003 Gvoich
D509,289 S 9/2005 Palazzolo
D524,562 S 7/2006 Franciosia
D538,557 S 3/2007 Martyn
D582,168 S 12/2008 Sandel
D600,928 S * 9/2009 Rake D6/353
D600,929 S * 9/2009 Kemnitzer D6/353
7,814,581 B1 10/2010 Willner
D628,247 S * 11/2010 de Boers D21/671
D629,222 S 12/2010 Kay
D629,627 S 12/2010 Mylet
D652,222 S 1/2012 Edwards
D663,492 S * 7/2012 Haaf D30/160
D665,180 S * 8/2012 Ekelchik D6/353
D668,472 S * 10/2012 Wong D6/406.5
D677,478 S 3/2013 Edwards et al.
8,607,369 B1 12/2013 Al-Khattaf
D698,163 S 1/2014 Edwards
D705,554 S 5/2014 Edwards

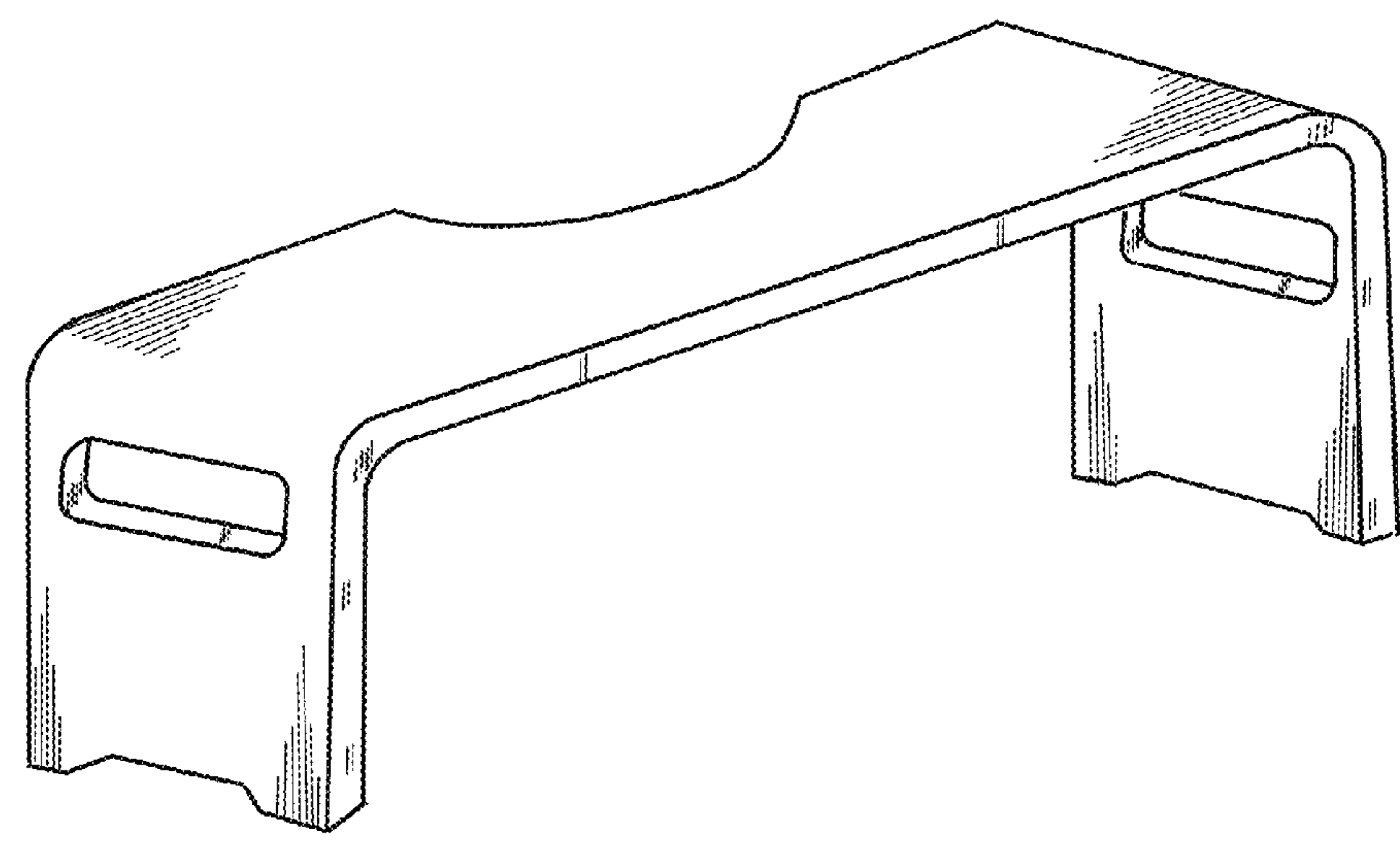
(Continued)

Primary Examiner — Vy Koenig

(57) **CLAIM**
We claim the ornamental design for a toilet stool, as shown and described.

DESCRIPTION
FIG. 1 is a perspective view of a toilet stool, showing my new design;
FIG. 2 is a rear elevational view thereof;
FIG. 3 is a top plan view thereof;
FIG. 4 is a bottom plan view thereof;
FIG. 5 is a front elevational view thereof; and,
FIG. 6 is a left-side elevational view thereof, the right-side elevational view being a mirror image thereof.

1 Claim, 4 Drawing Sheets



(56)

References Cited

U.S. PATENT DOCUMENTS

D723,814 S * 3/2015 Hagstrom D6/335
D738,126 S * 9/2015 Edwards D6/349
D745,286 S * 12/2015 Thibault D6/349
2014/0123376 A1 5/2014 Edwards et al.

* cited by examiner

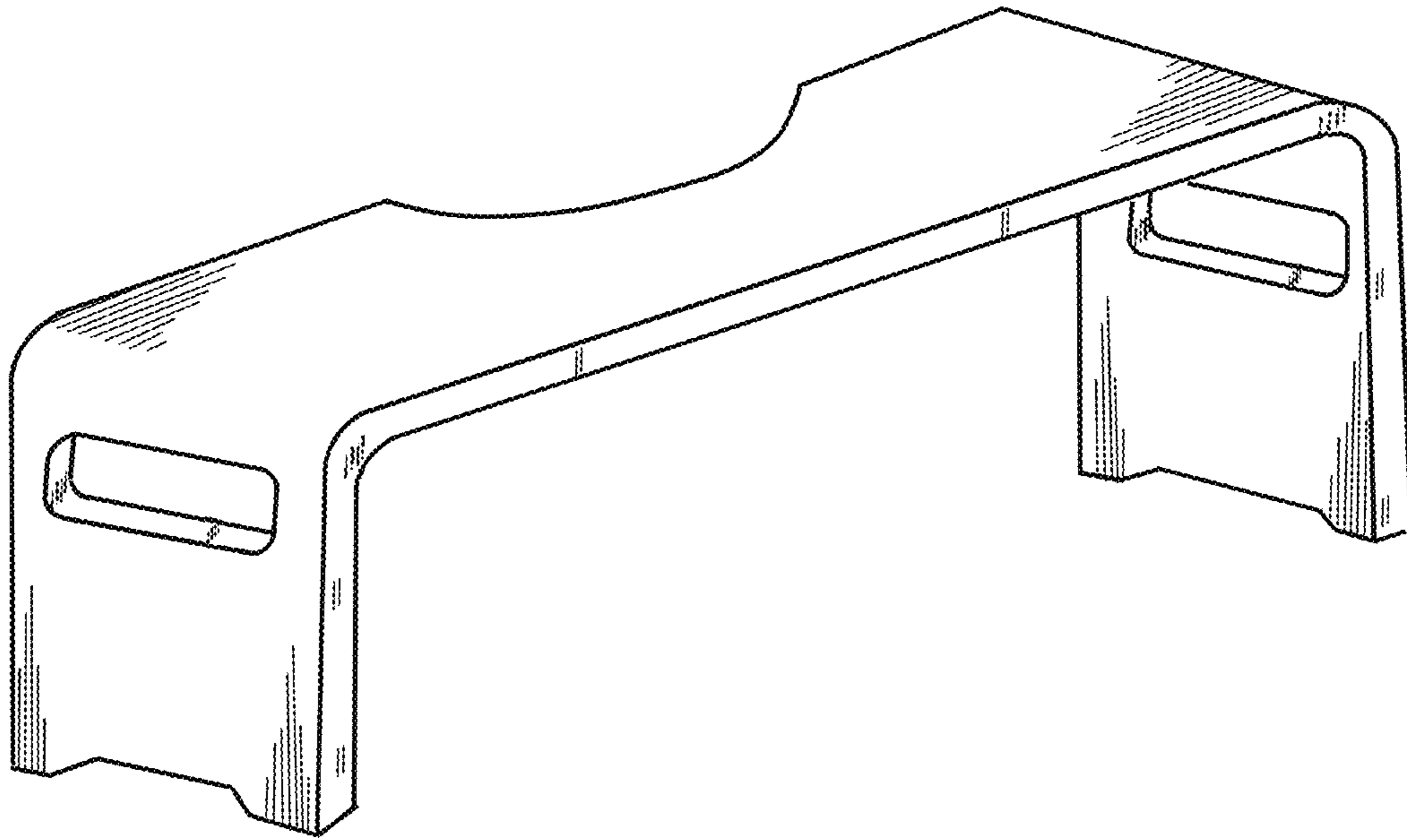


FIG. 1

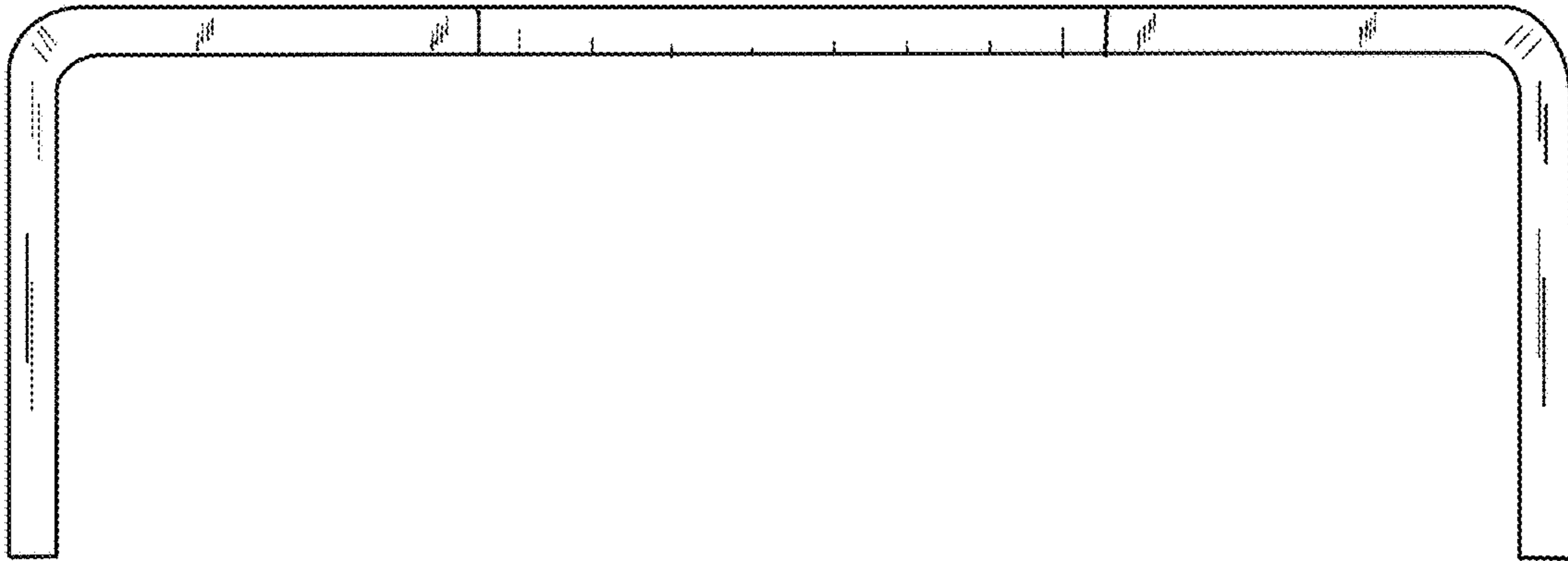


FIG. 2

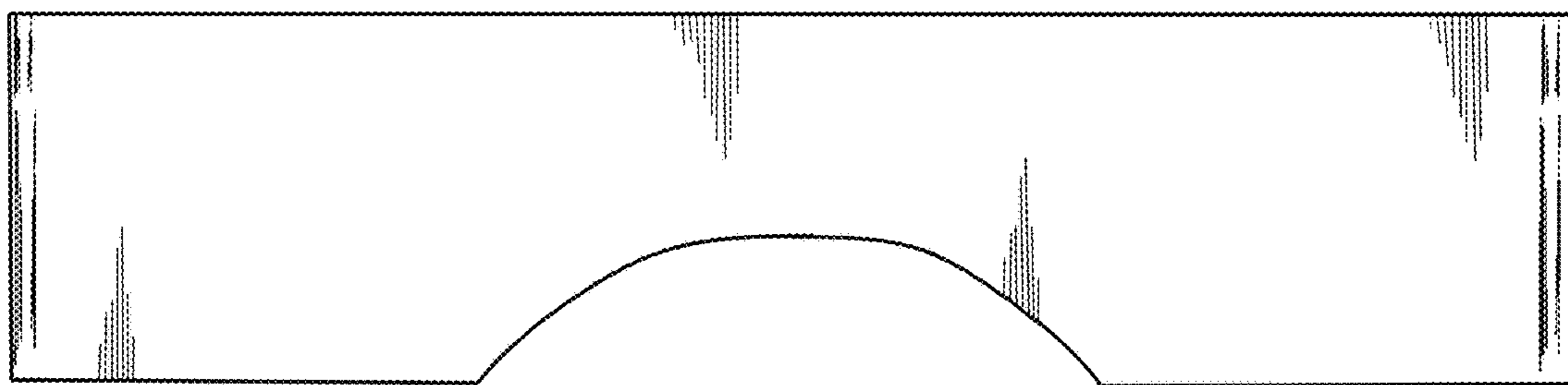


FIG. 3

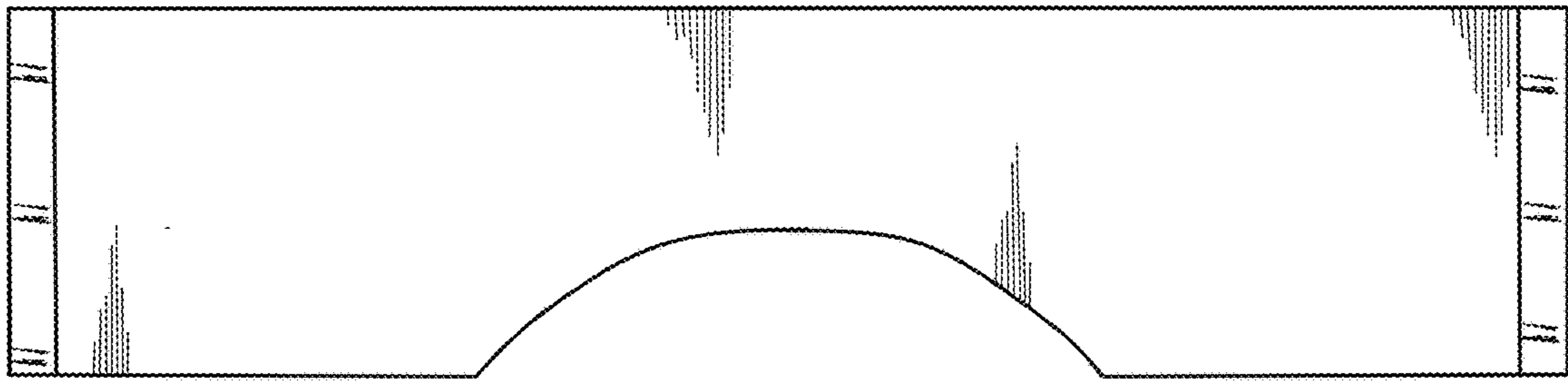


FIG. 4

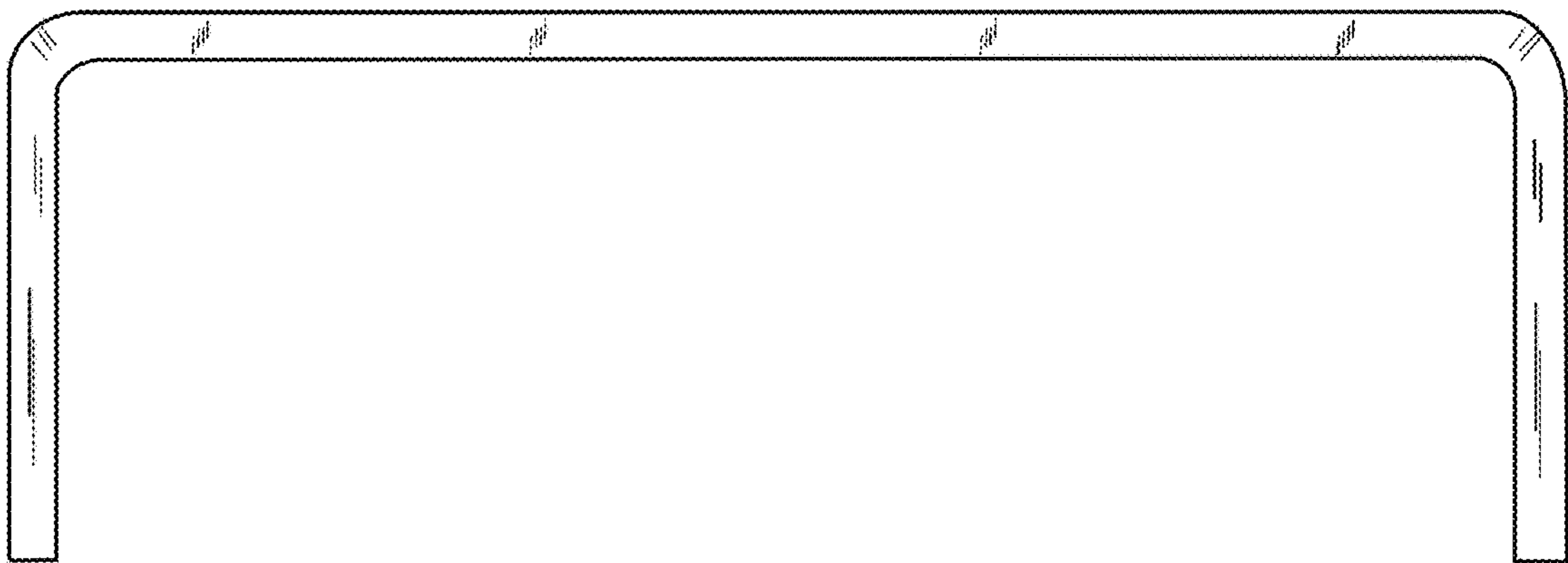


FIG. 5

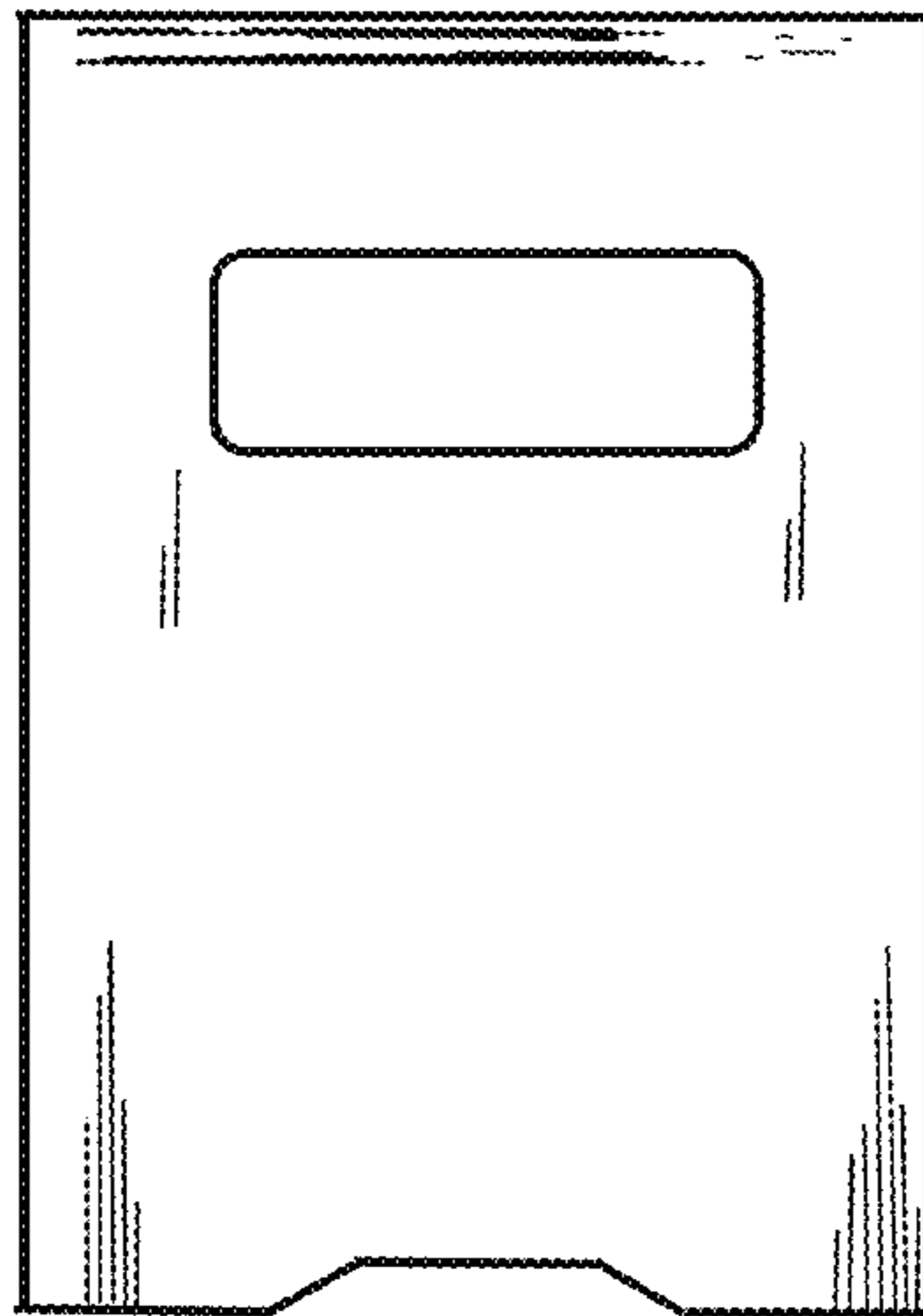


FIG. 6