



US00D785954S

(12) **United States Design Patent**
Linder et al.

(10) **Patent No.:** **US D785,954 S**

(45) **Date of Patent:** **** May 9, 2017**

(54) **CHAIR**

(71) Applicant: **Herman Miller, Inc.**, Zeeland, MI (US)

(72) Inventors: **Martin Linder**, San Francisco, CA (US); **Christopher Morlock**, San Francisco, CA (US)

(73) Assignee: **Herman Miller, Inc.**, Zeeland, MI (US)

(**) Term: **15 Years**

(21) Appl. No.: **29/568,263**

(22) Filed: **Jun. 16, 2016**

(51) **LOC (10) Cl.** **06-01**

(52) **U.S. Cl.**
USPC **D6/334**

(58) **Field of Classification Search**
USPC D6/334, 335, 336, 360, 361, 367, 368, D6/371-375, 379-381, 716, 716.1-716.8
CPC A47C 7/00; A47C 7/62; A47C 7/18; A47C 7/54; A47C 4/00; A47C 4/028; A47C 4/28; A47C 3/16; A47C 3/04; A47C 3/12; A47C 1/02; A47C 1/14
See application file for complete search history.

(56) **References Cited**

U.S. PATENT DOCUMENTS

D112,045 S *	11/1938	Roberts	D6/334
D116,800 S *	9/1939	Forster et al.	D6/371
D158,046 S *	4/1950	Carr	D6/334
D175,048 S *	6/1955	Sherman	D6/334
D180,226 S *	5/1957	Ensign et al.	D6/360
D213,365 S *	2/1969	Crawford	D6/360
D367,182 S *	2/1996	Bonaddio	D6/334
D368,377 S *	4/1996	Laslo	D6/334
D395,958 S *	7/1998	Hutton	D6/334
D439,752 S *	4/2001	Natuzzi	D6/334
D462,533 S *	9/2002	Popham	D6/334
D480,567 S *	10/2003	Ricci	D6/334
D498,598 S *	11/2004	Schweikarth	D6/334

(Continued)

Primary Examiner — Deanna L Pratt

(74) *Attorney, Agent, or Firm* — Michael Best & Friedrich LLP

(57) **CLAIM**

We claim the ornamental design for a chair, as shown and described.

DESCRIPTION

FIG. 1 is a perspective view of a chair according to one embodiment of the invention.

FIG. 2 is a front view of the chair of FIG. 1.

FIG. 3 is a rear view of the chair of FIG. 1.

FIG. 4 is a first side view of the chair of FIG. 1.

FIG. 5 is a second side view of the chair of FIG. 1.

FIG. 6 is a top view of the chair of FIG. 1.

FIG. 7 is a perspective view of a chair according to a second embodiment of the invention.

FIG. 8 is a front view of the chair of FIG. 7.

FIG. 9 is a rear view of the chair of FIG. 7.

FIG. 10 is a first side view of the chair of FIG. 7.

FIG. 11 is a second side view of the chair of FIG. 7.

FIG. 12 is a top view of the chair of FIG. 7.

FIG. 13 is a perspective view of a chair according to a third embodiment of the invention.

FIG. 14 is a front view of the chair of FIG. 13.

FIG. 15 is a rear view of the chair of FIG. 13.

FIG. 16 is a first side view of the chair of FIG. 13.

FIG. 17 is a second side view of the chair of FIG. 13.

FIG. 18 is a top view of the chair of FIG. 13.

FIG. 19 is a perspective view of a chair according to a fourth embodiment of the invention.

FIG. 20 is a front view of the chair of FIG. 19.

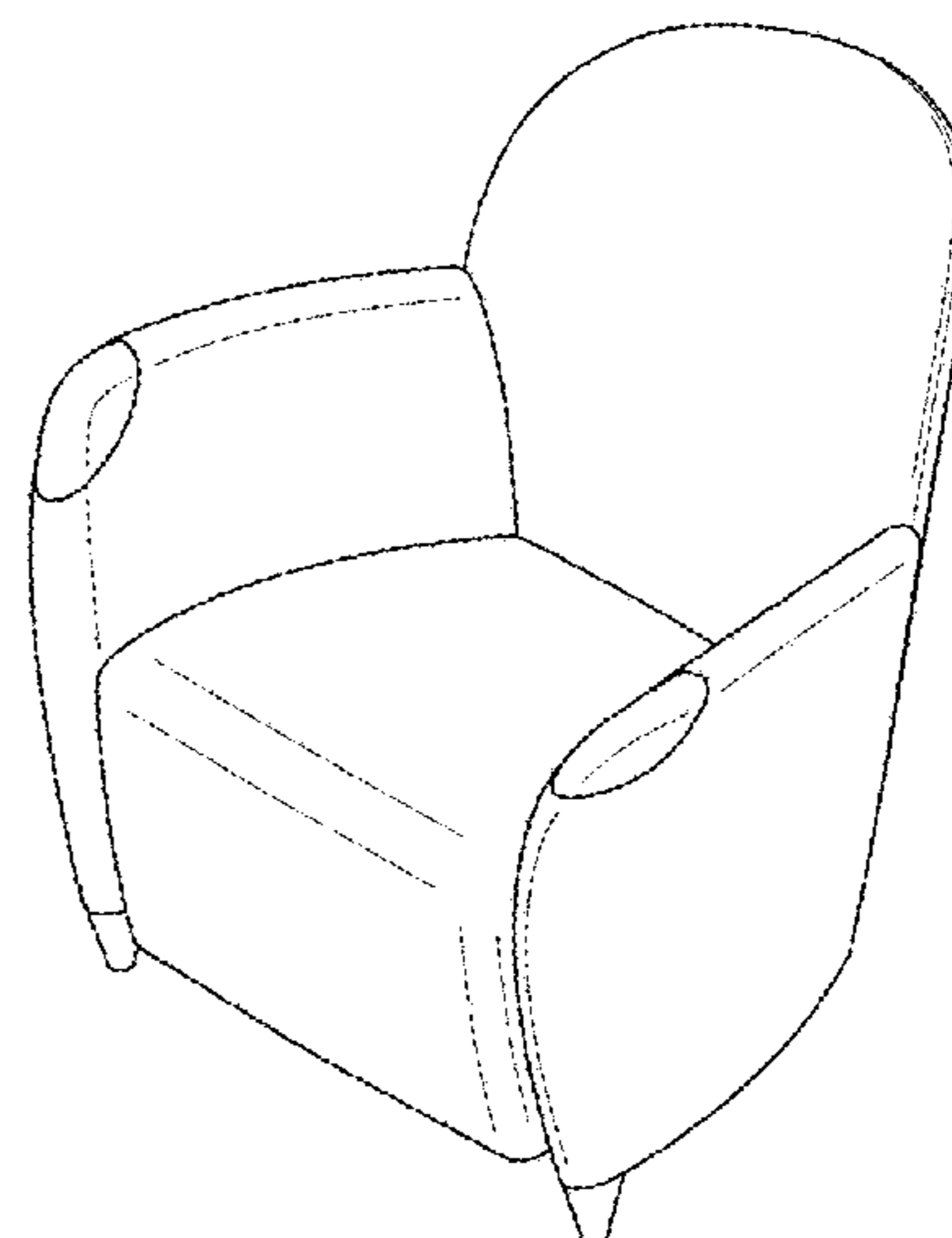
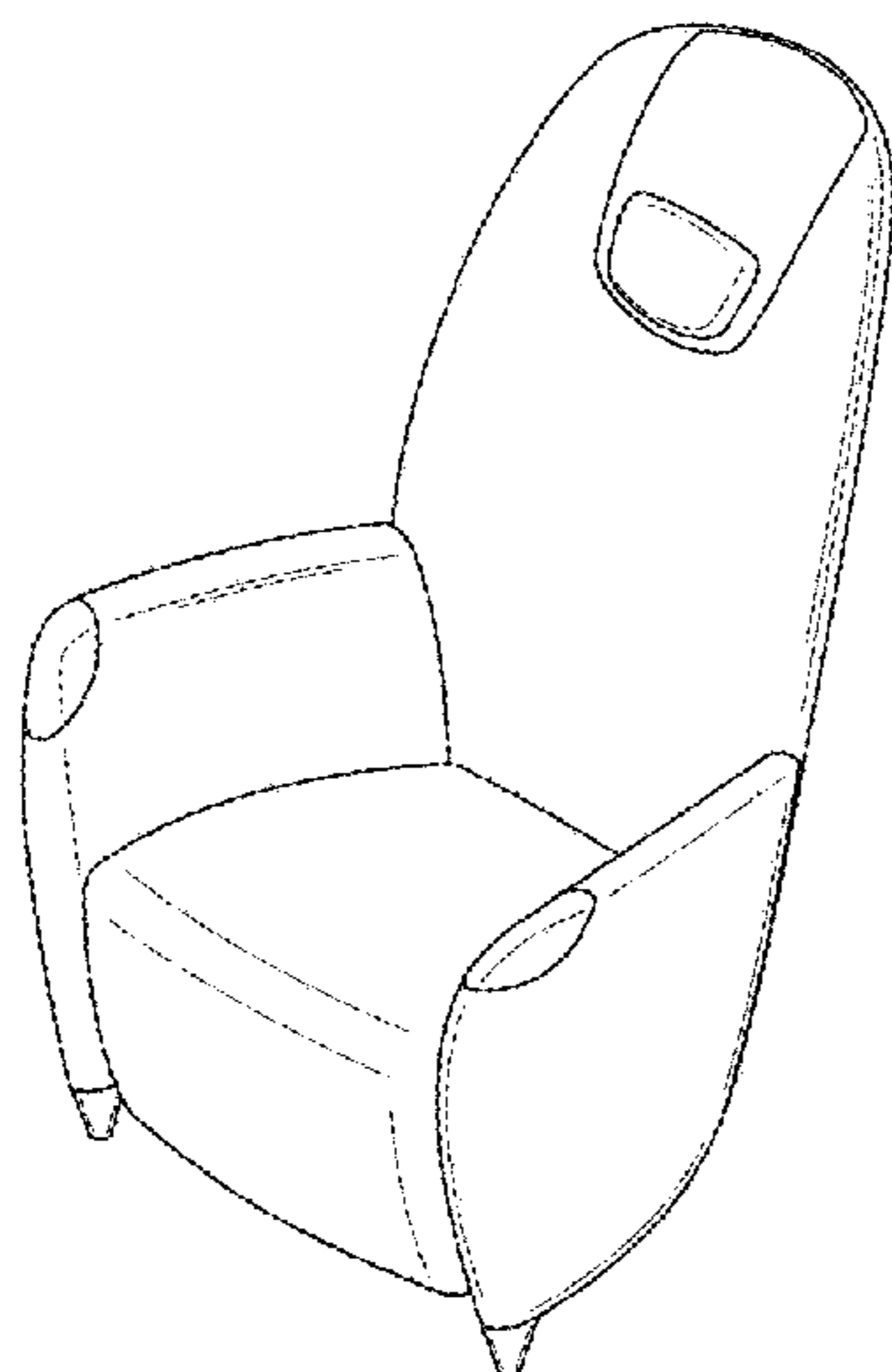
FIG. 21 is a rear view of the chair of FIG. 19.

FIG. 22 is a first side view of the chair of FIG. 19.

FIG. 23 is a second side view of the chair of FIG. 19; and,

FIG. 24 is a top view of the chair of FIG. 19.

1 Claim, 12 Drawing Sheets



(56)

References Cited

U.S. PATENT DOCUMENTS

D532,984 S *	12/2006	Bernett	D6/367
D546,571 S *	7/2007	Ricci	D6/334
D548,984 S *	8/2007	Langbroek	D6/334
D676,682 S *	2/2013	Citterio	D6/366
D680,337 S *	4/2013	McNeish	D6/334
D680,771 S *	4/2013	Spoelhof	D6/381
D684,785 S *	6/2013	Hwangbo	D6/367
D699,960 S *	2/2014	Potter	D6/367
D741,072 S *	10/2015	Fernandez	D6/335
D750,912 S *	3/2016	Zhuo	D6/367
D763,589 S *	8/2016	Mion	D6/375

* cited by examiner

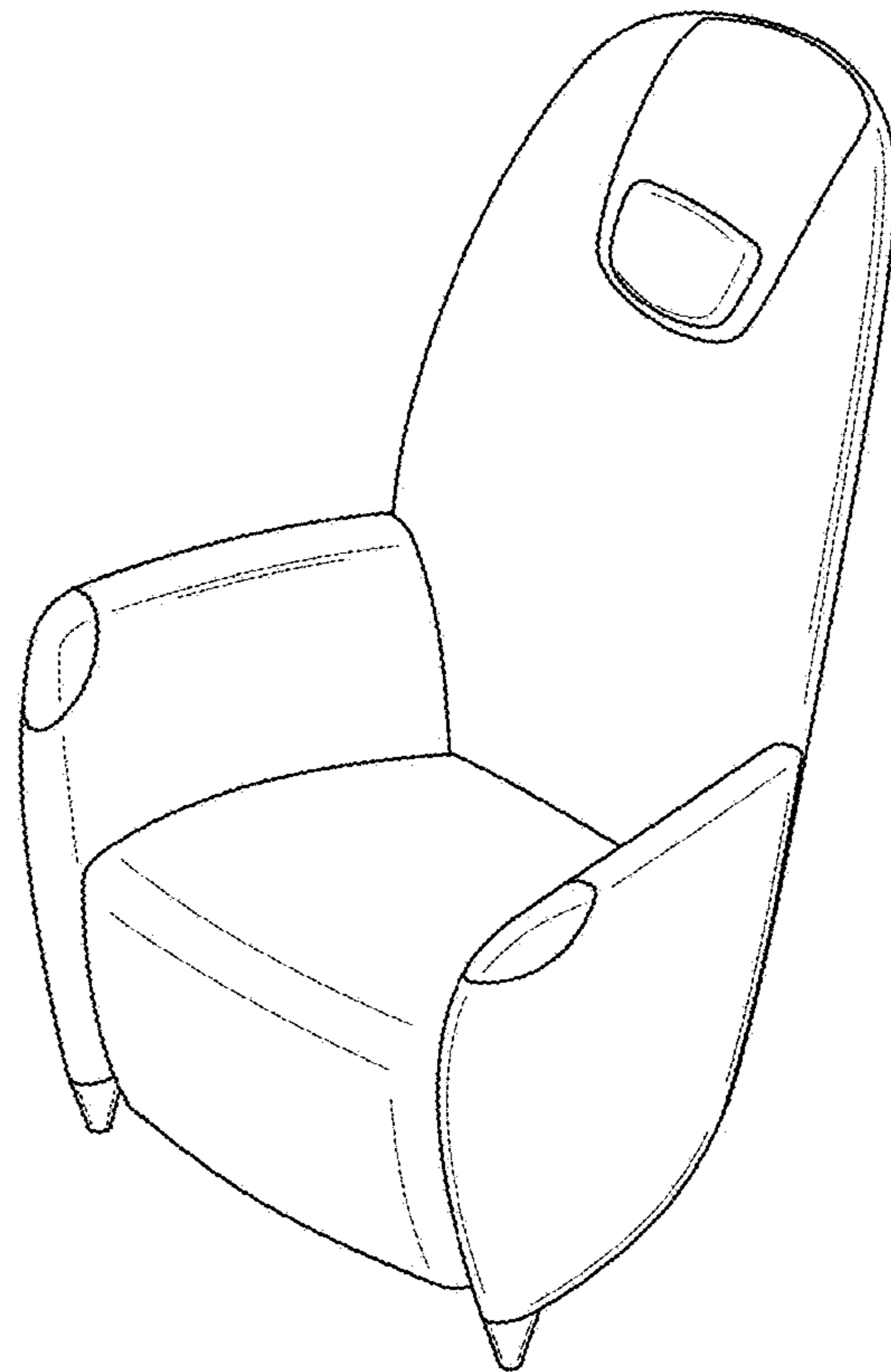


FIG. 1

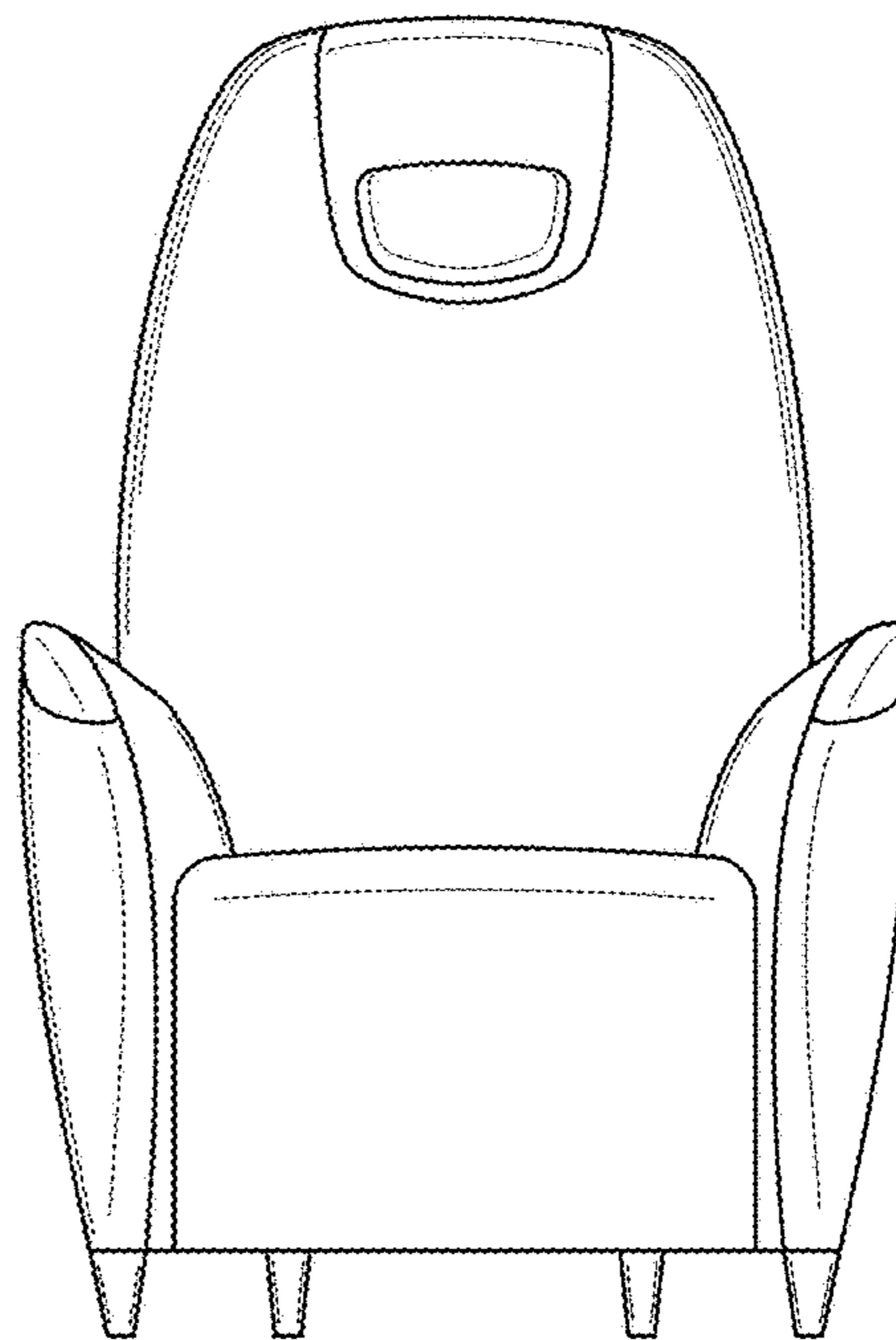


FIG. 2

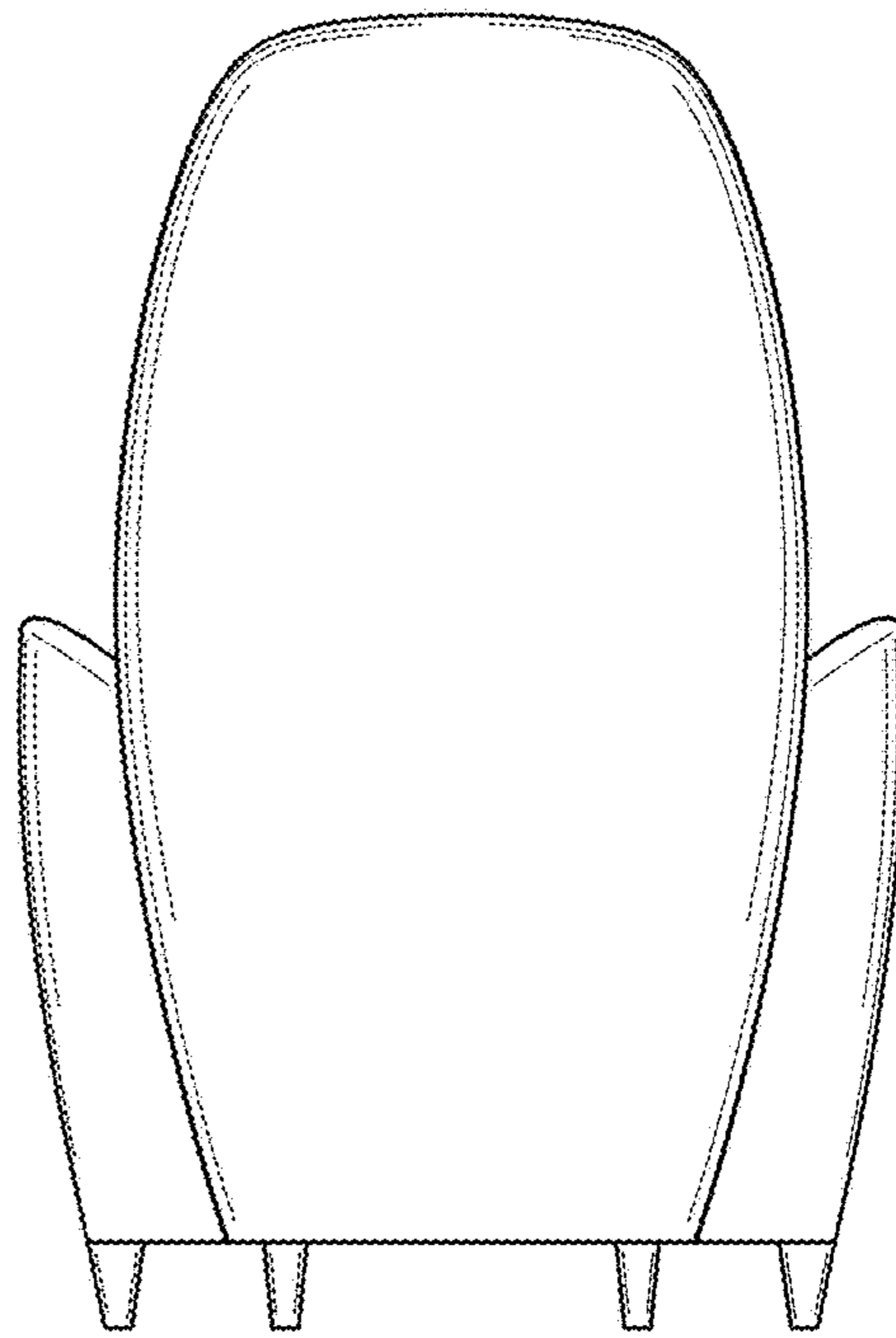


FIG. 3

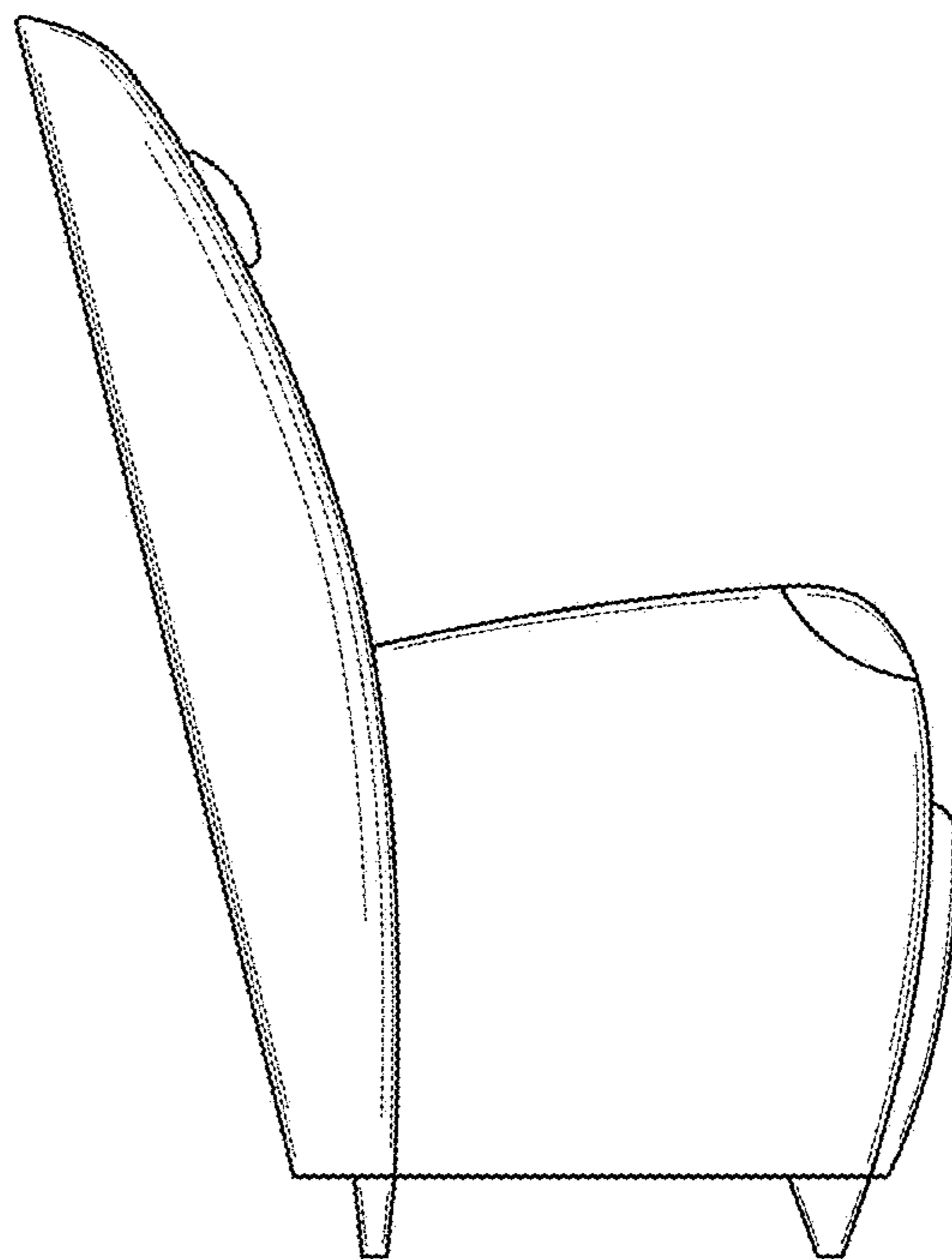


FIG. 4

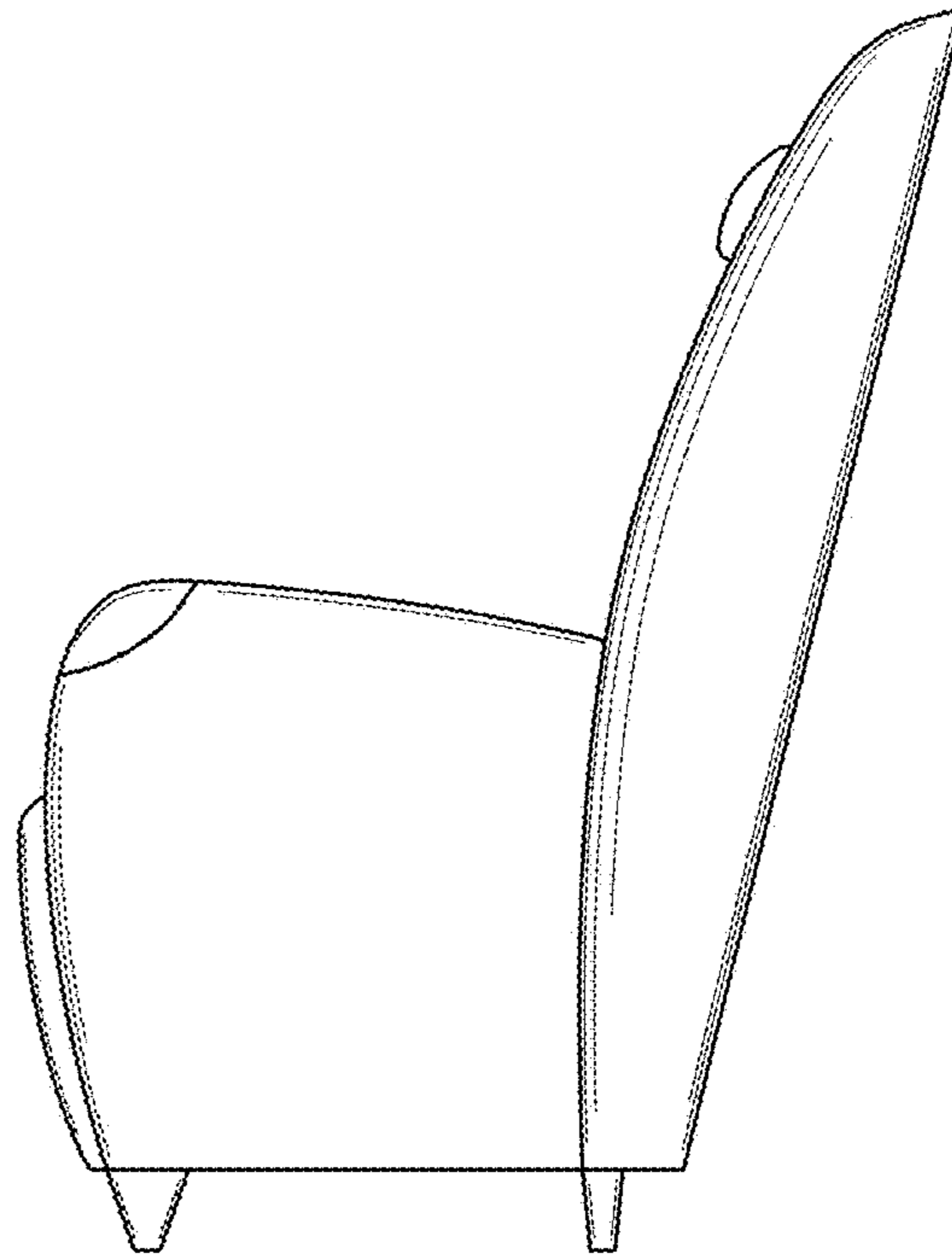


FIG. 5

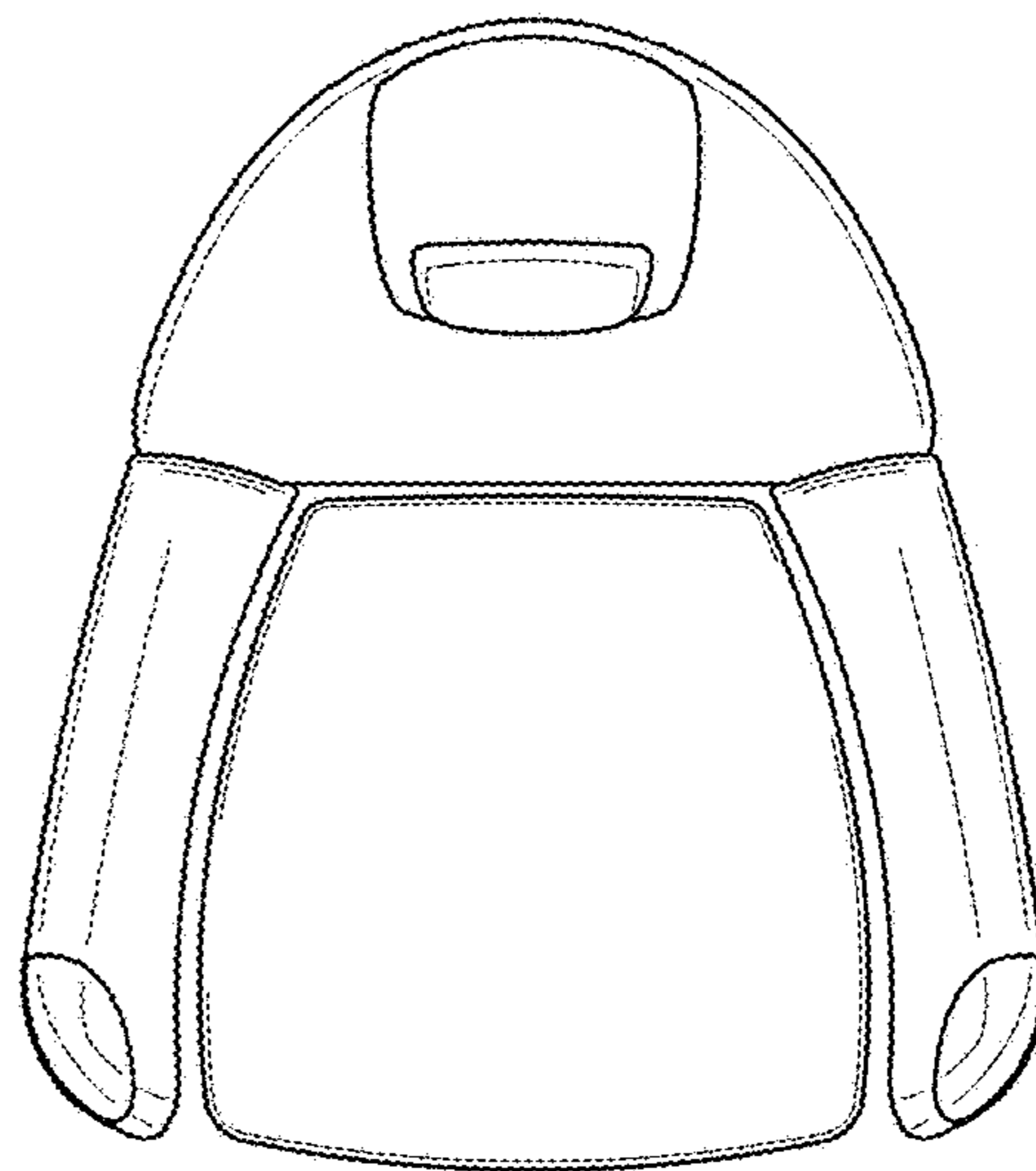


FIG. 6

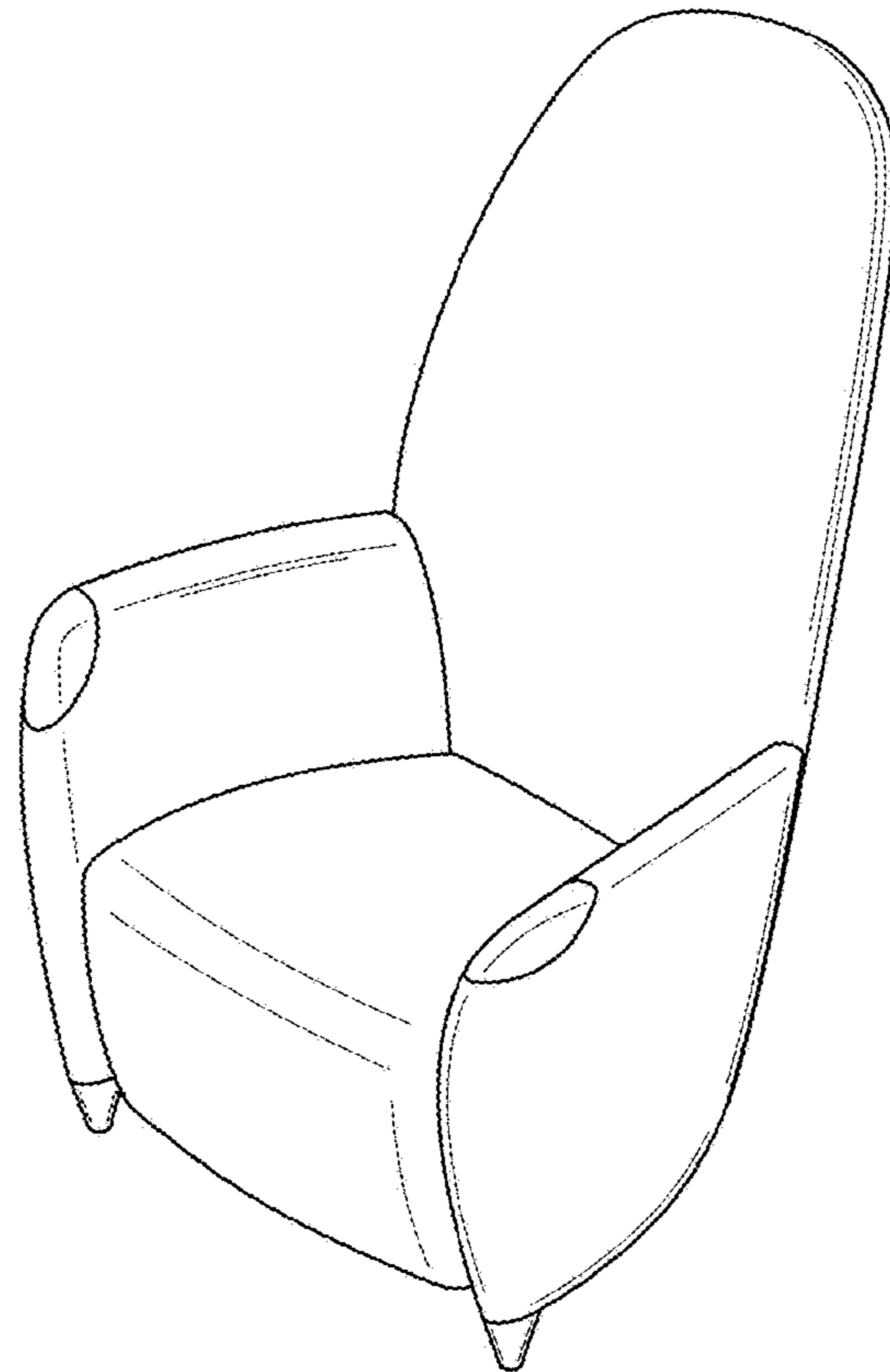


FIG. 7

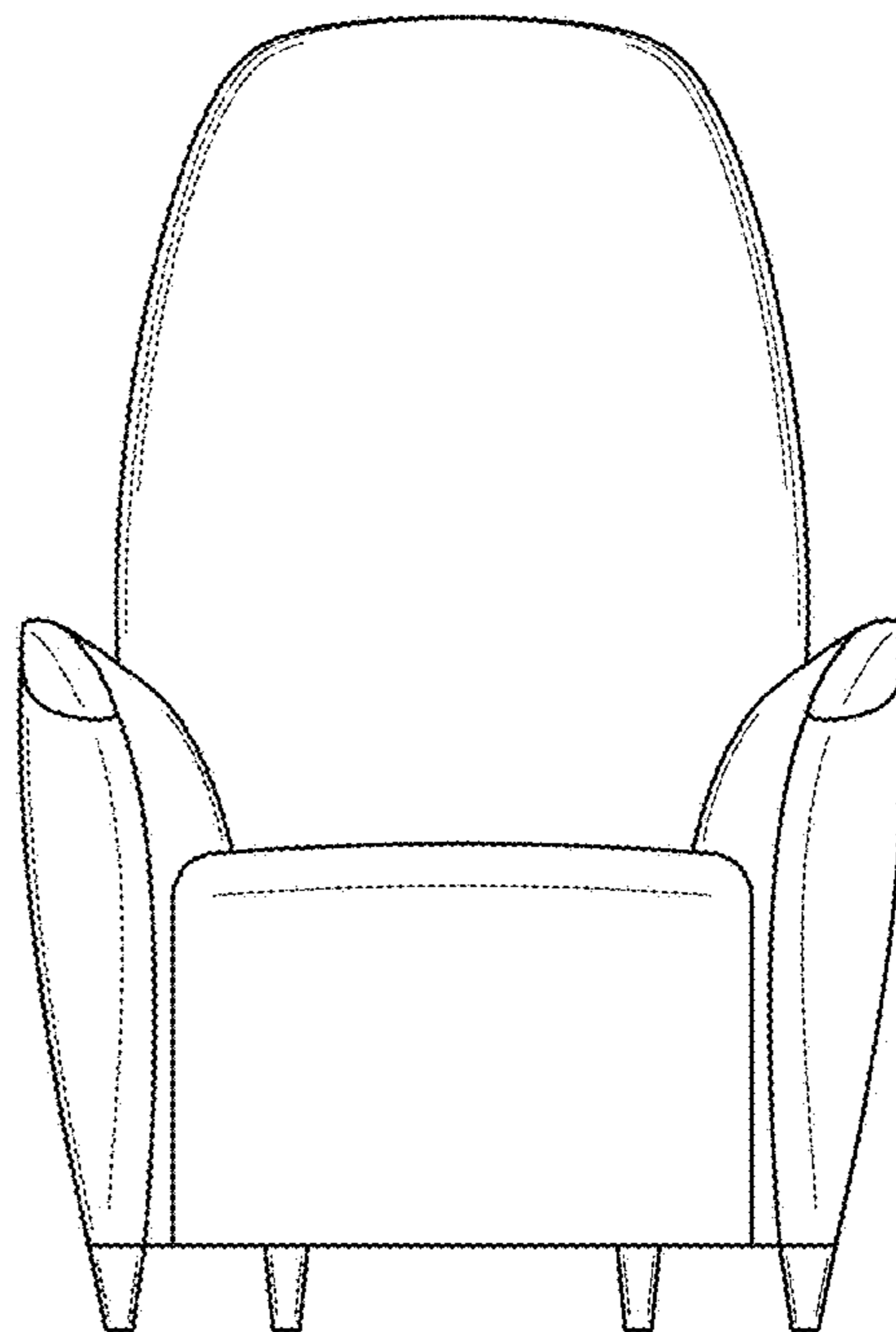


FIG. 8

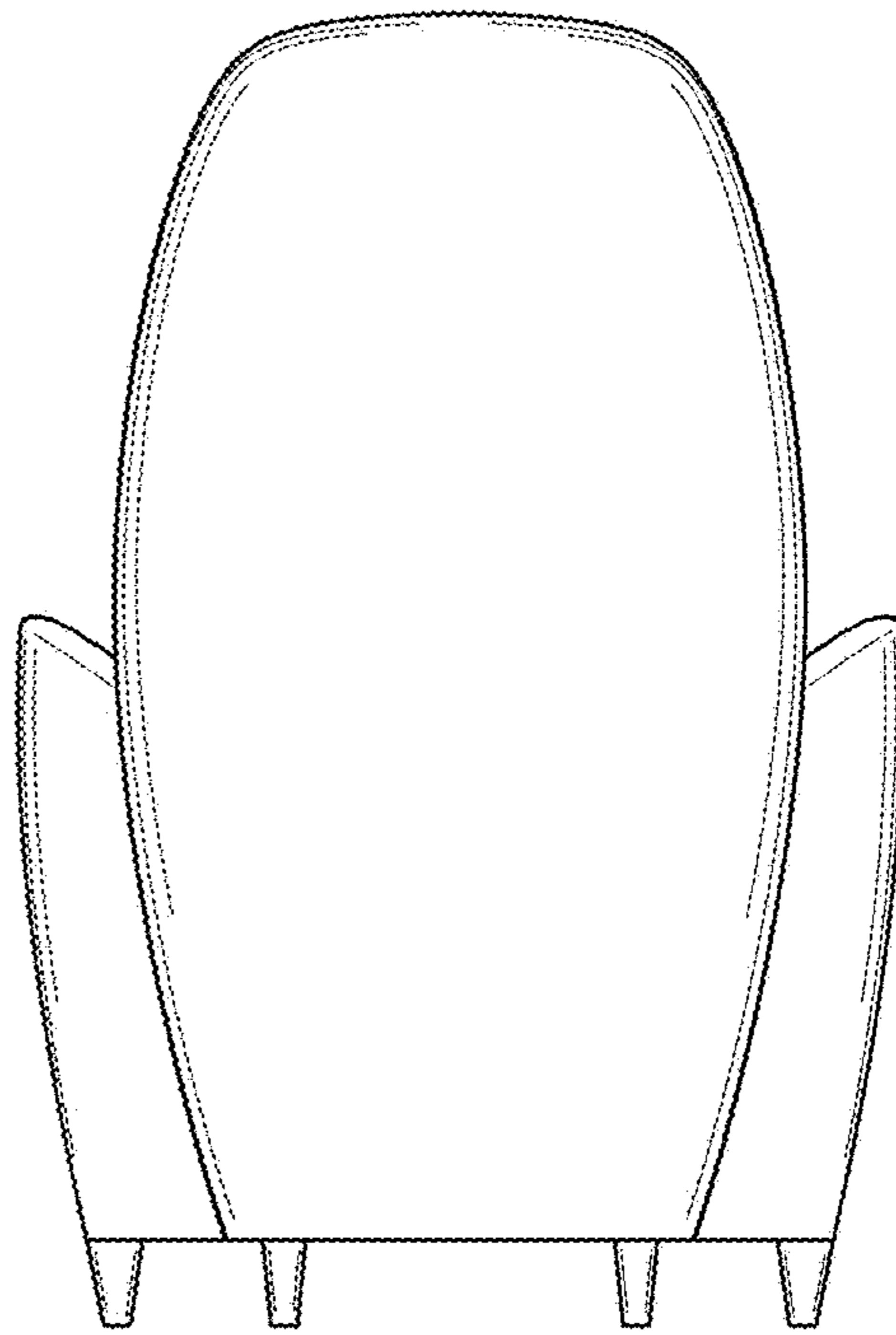


FIG. 9

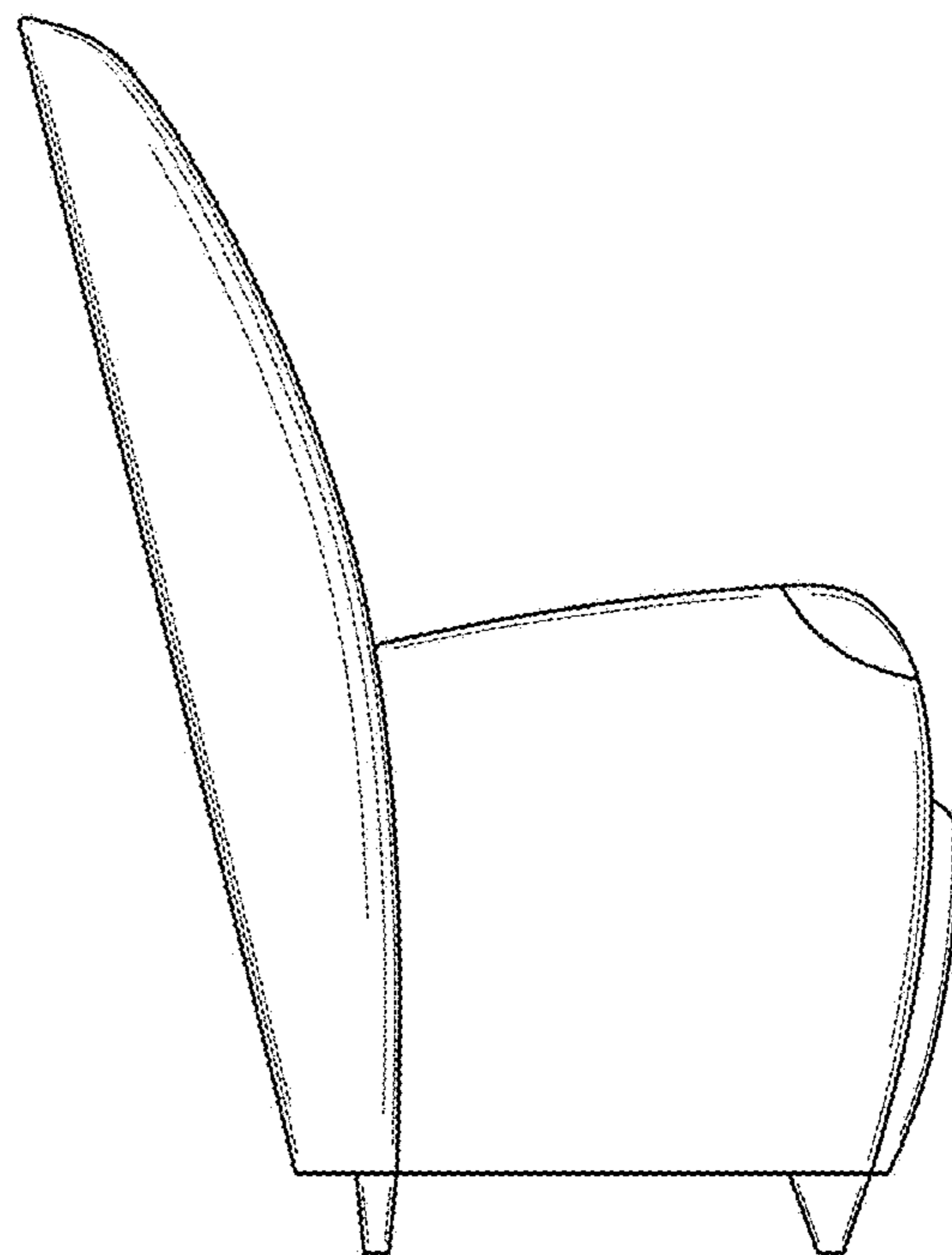


FIG. 10

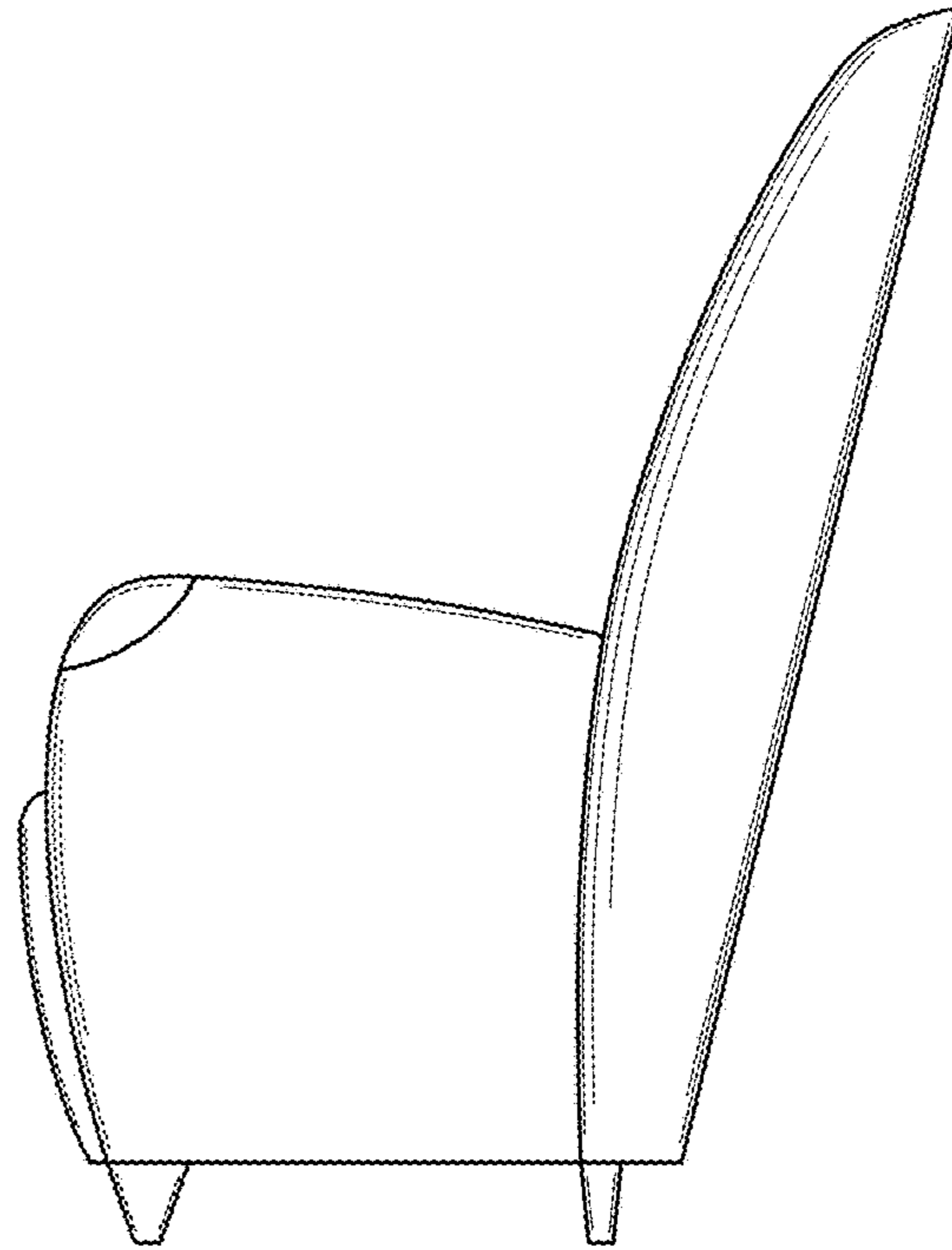


FIG. 11

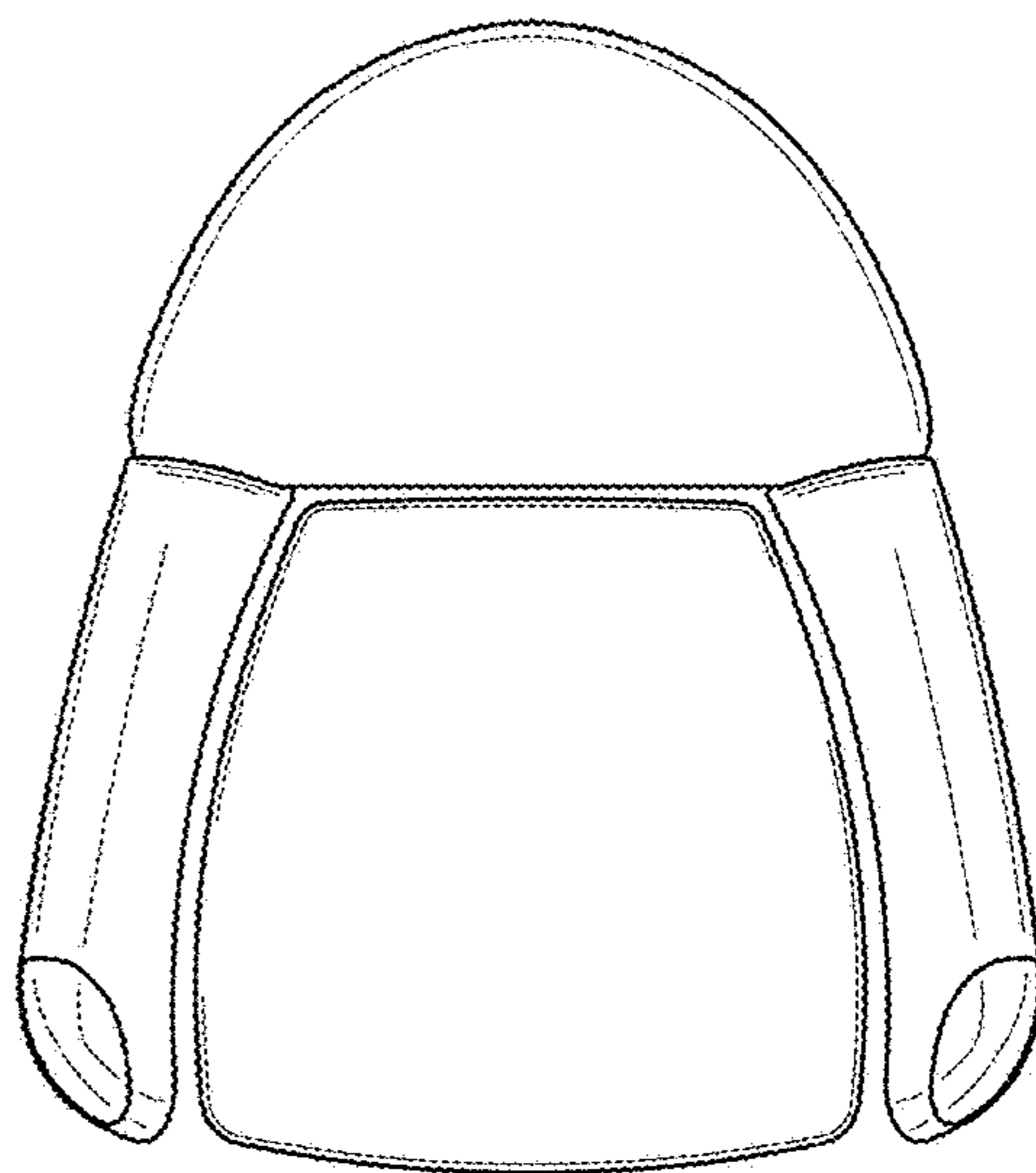


FIG. 12

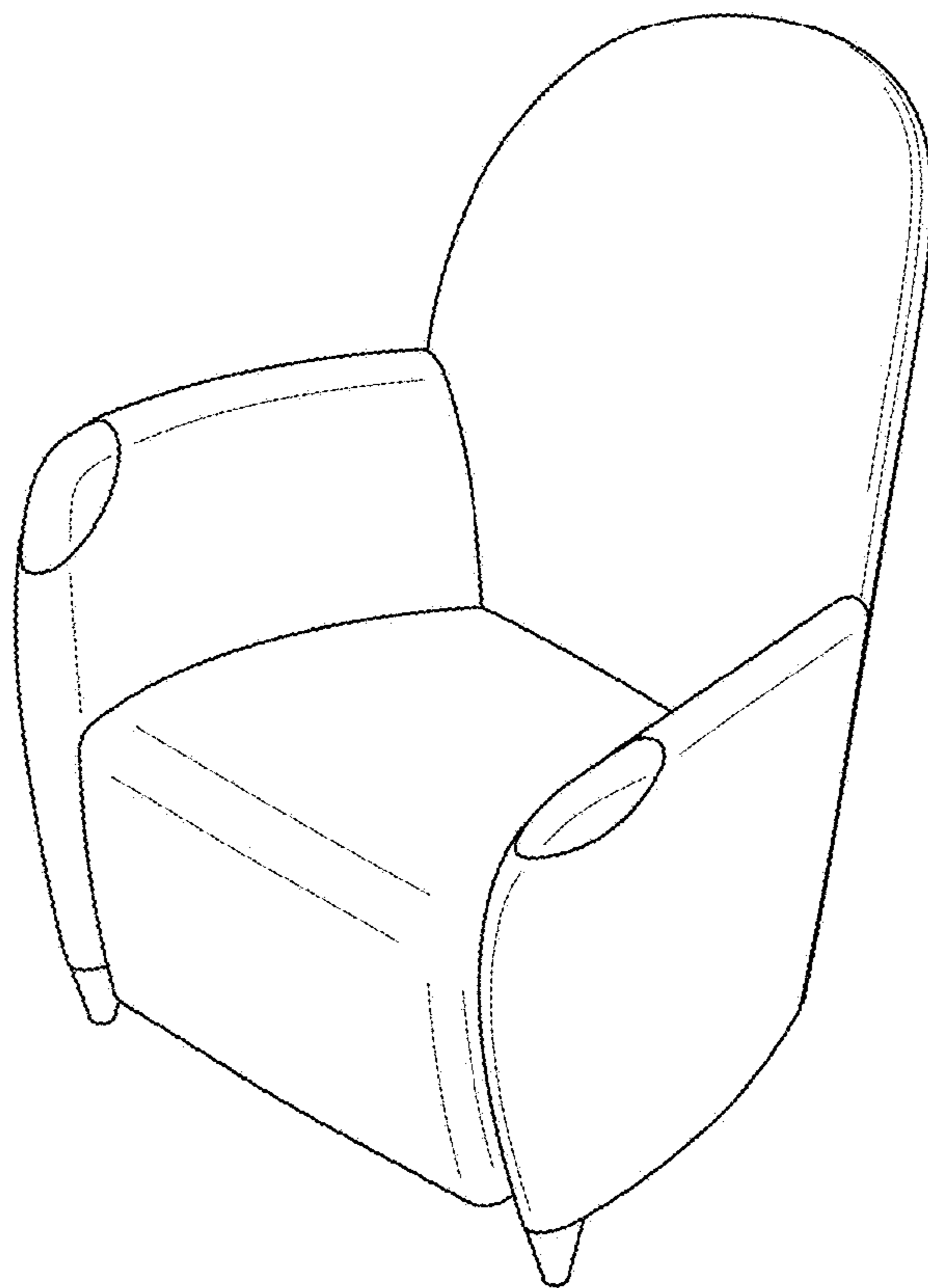


FIG. 13

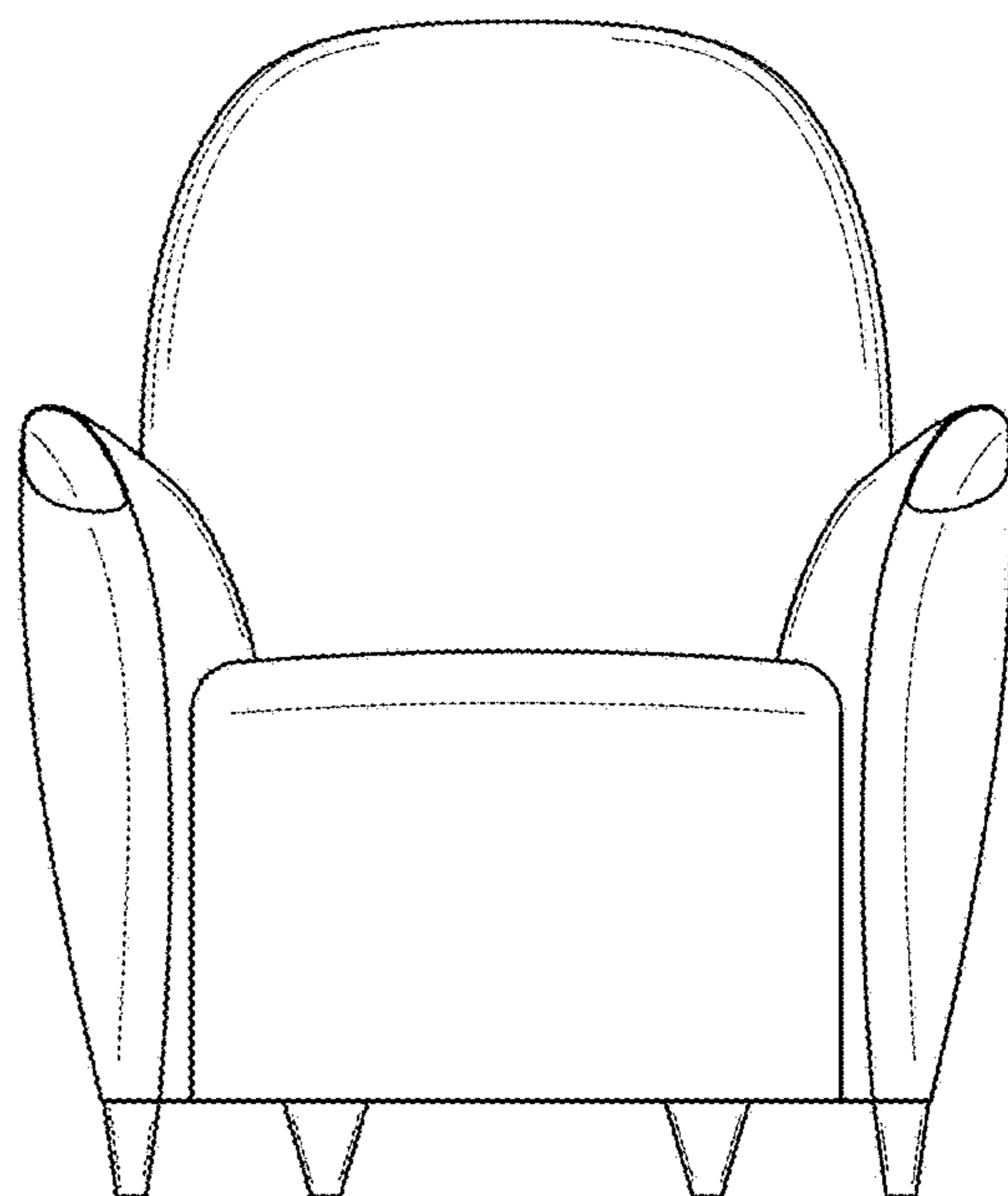


FIG. 14

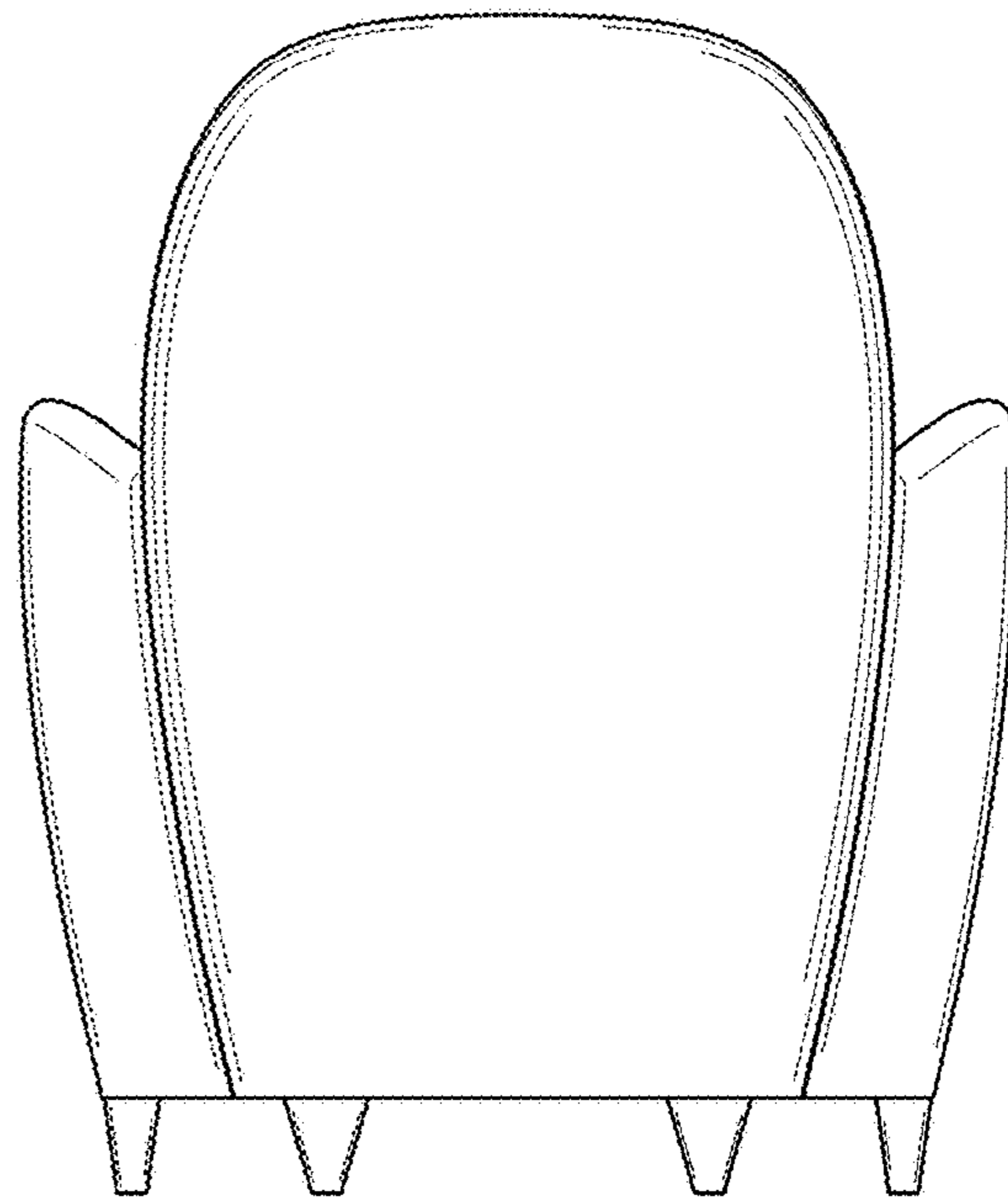


FIG. 15

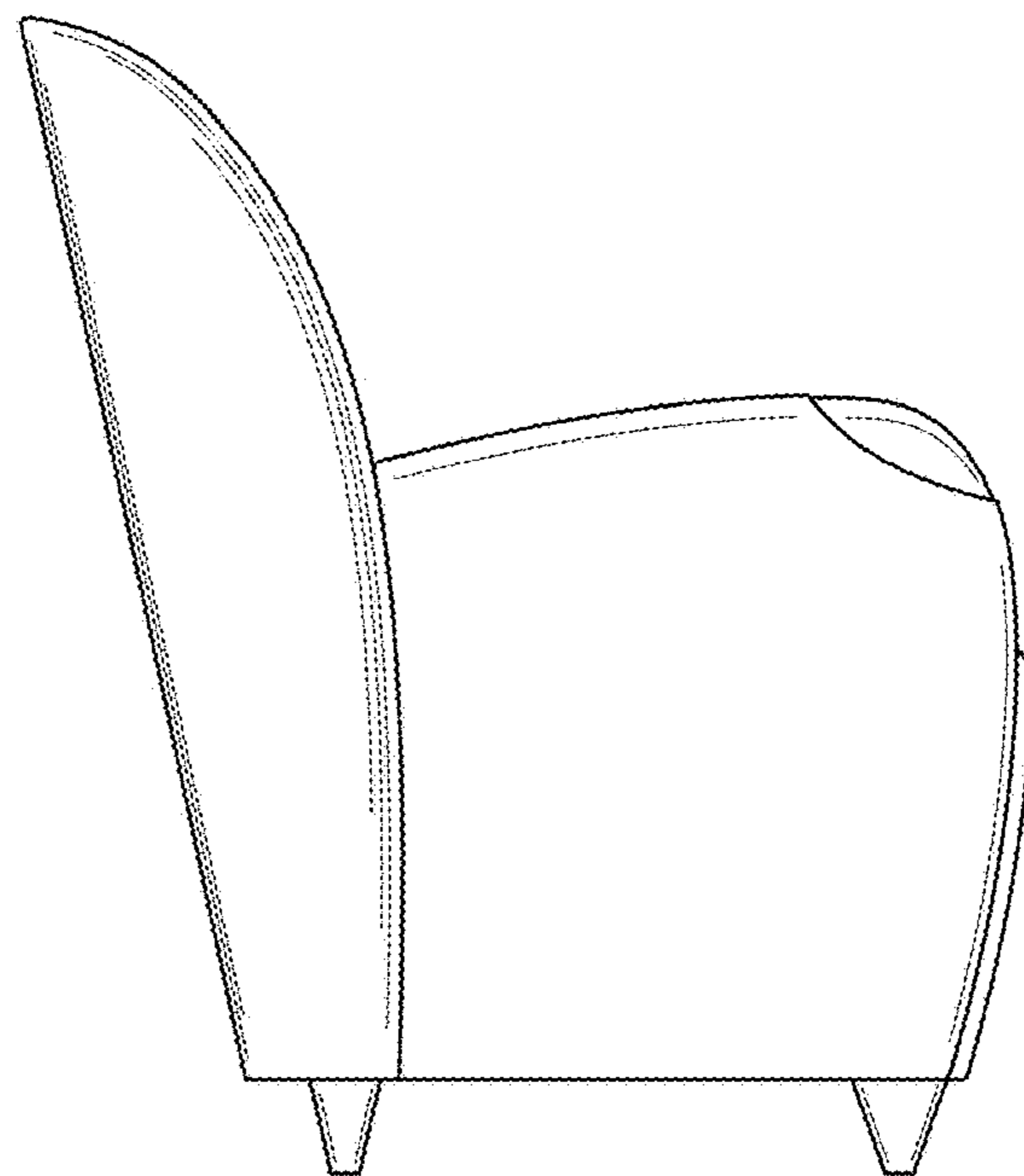


FIG. 16

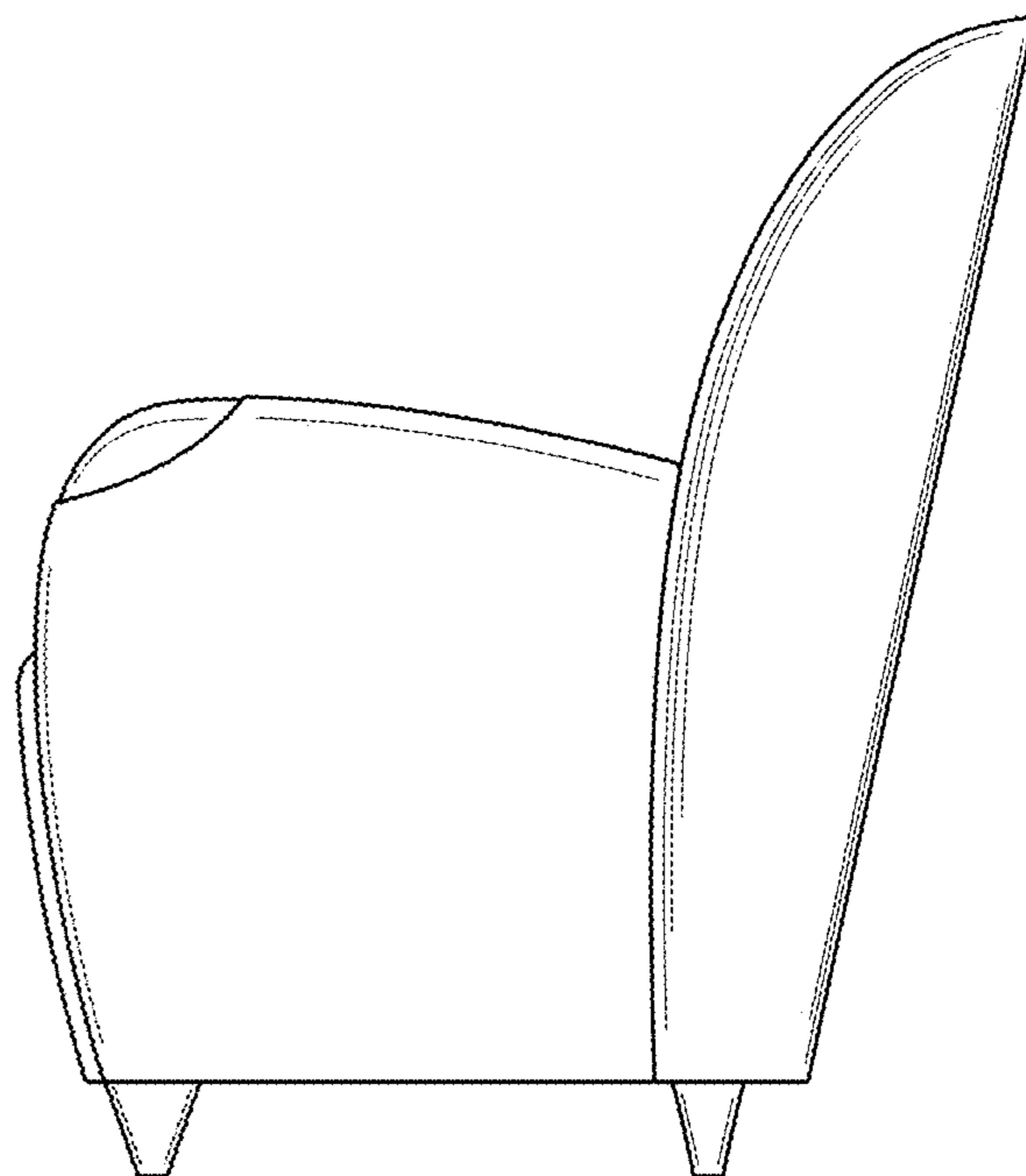


FIG. 17

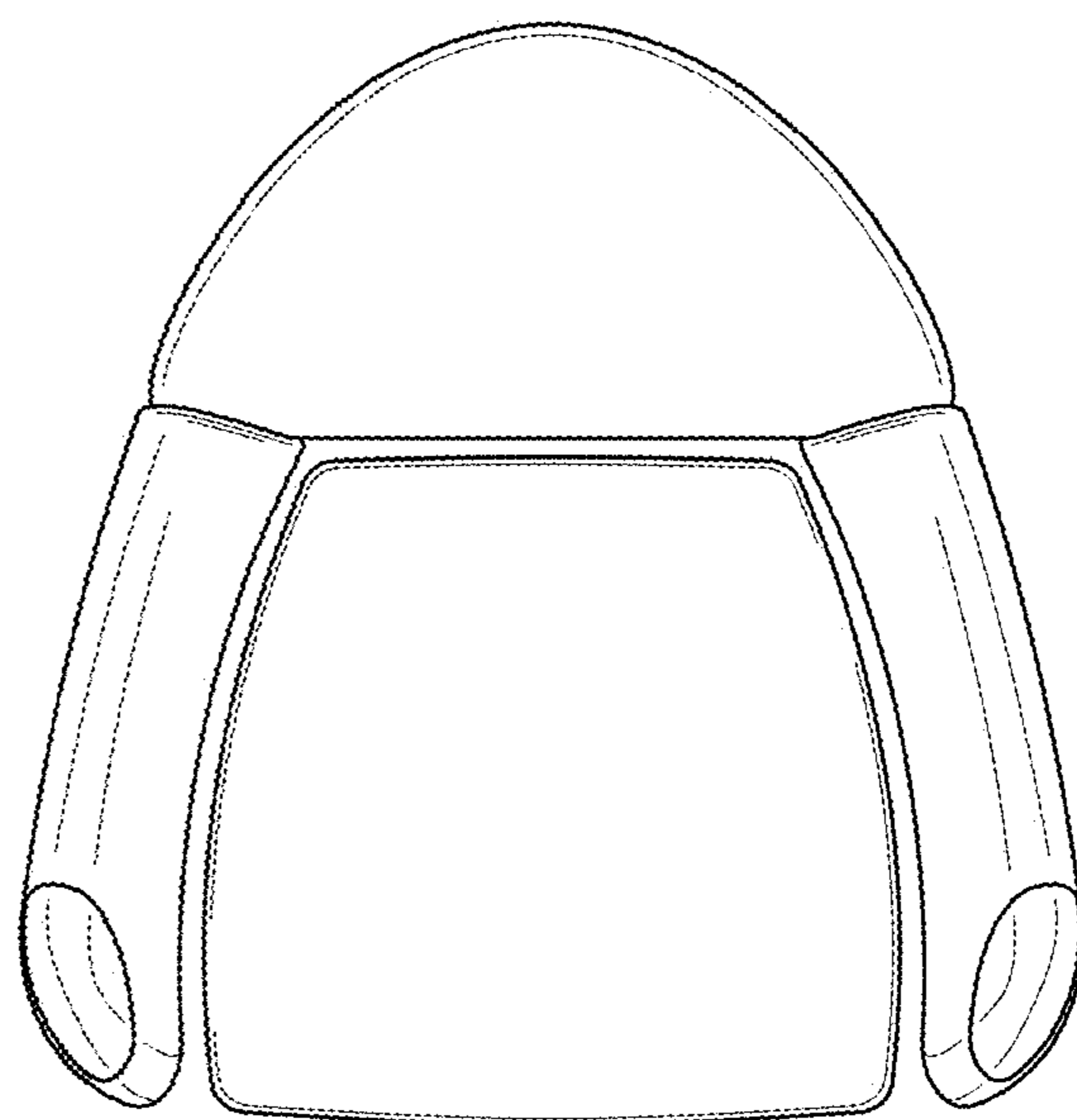


FIG. 18

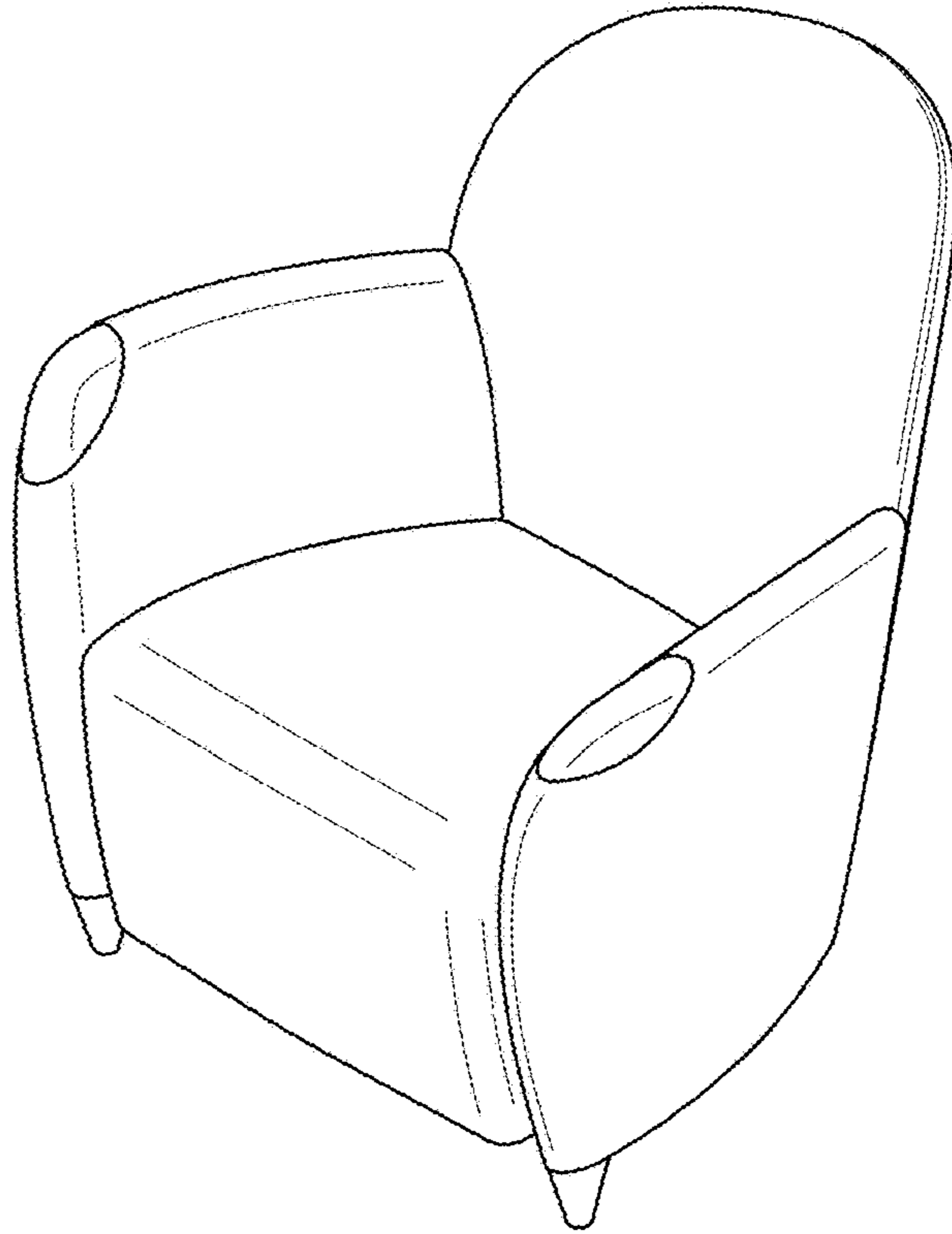


FIG. 19

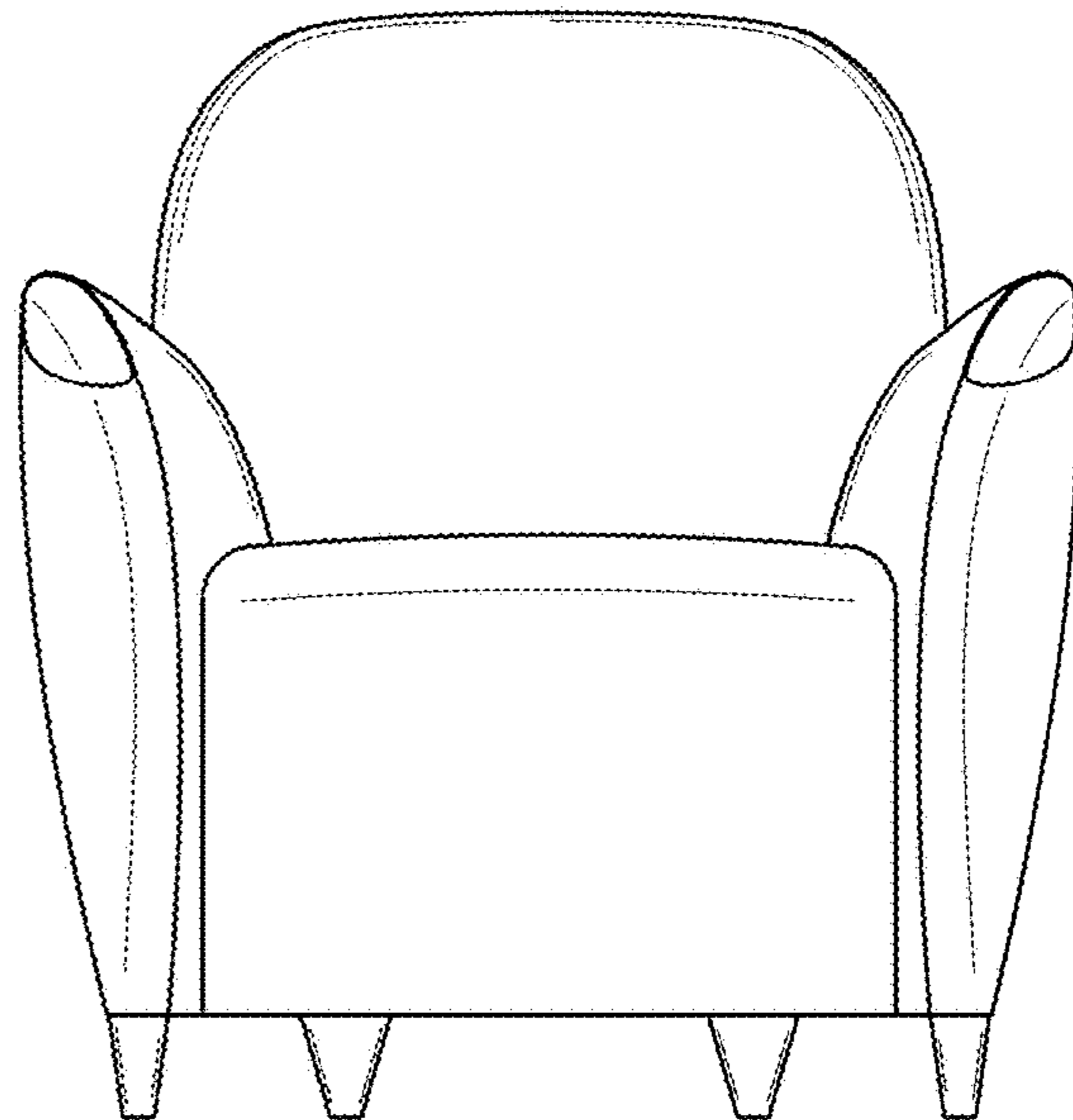


FIG. 20

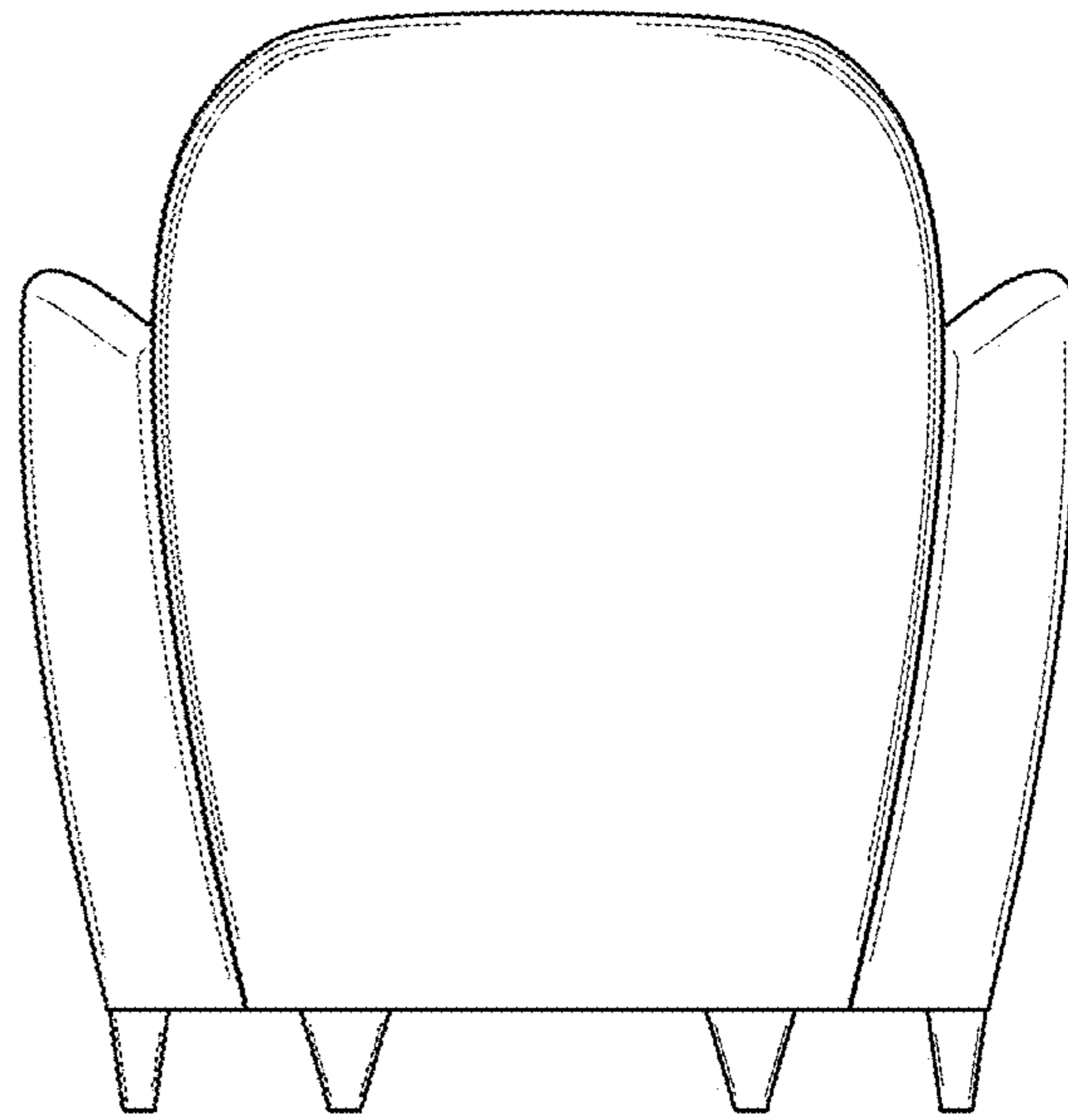


FIG. 21

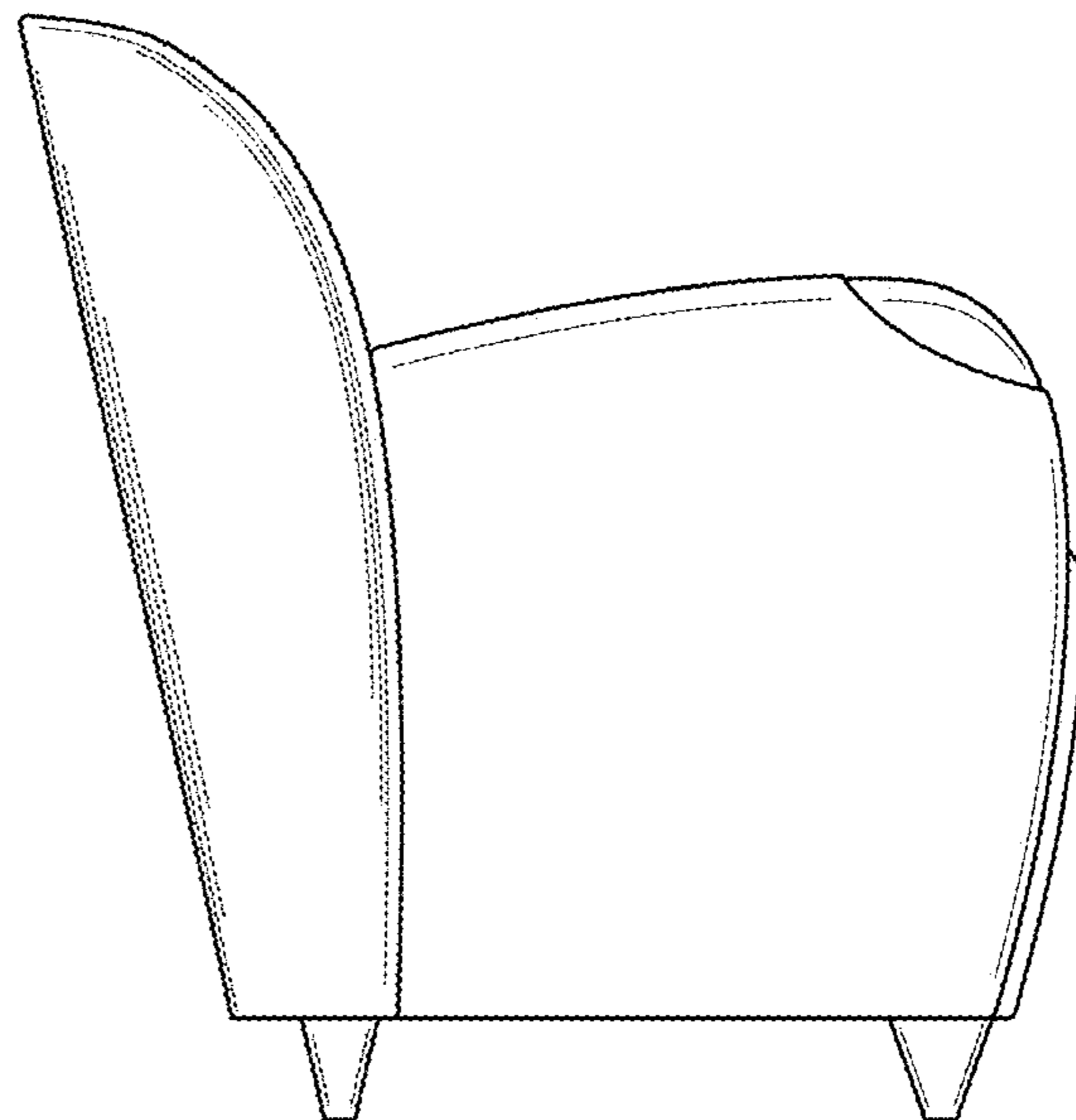


FIG. 22

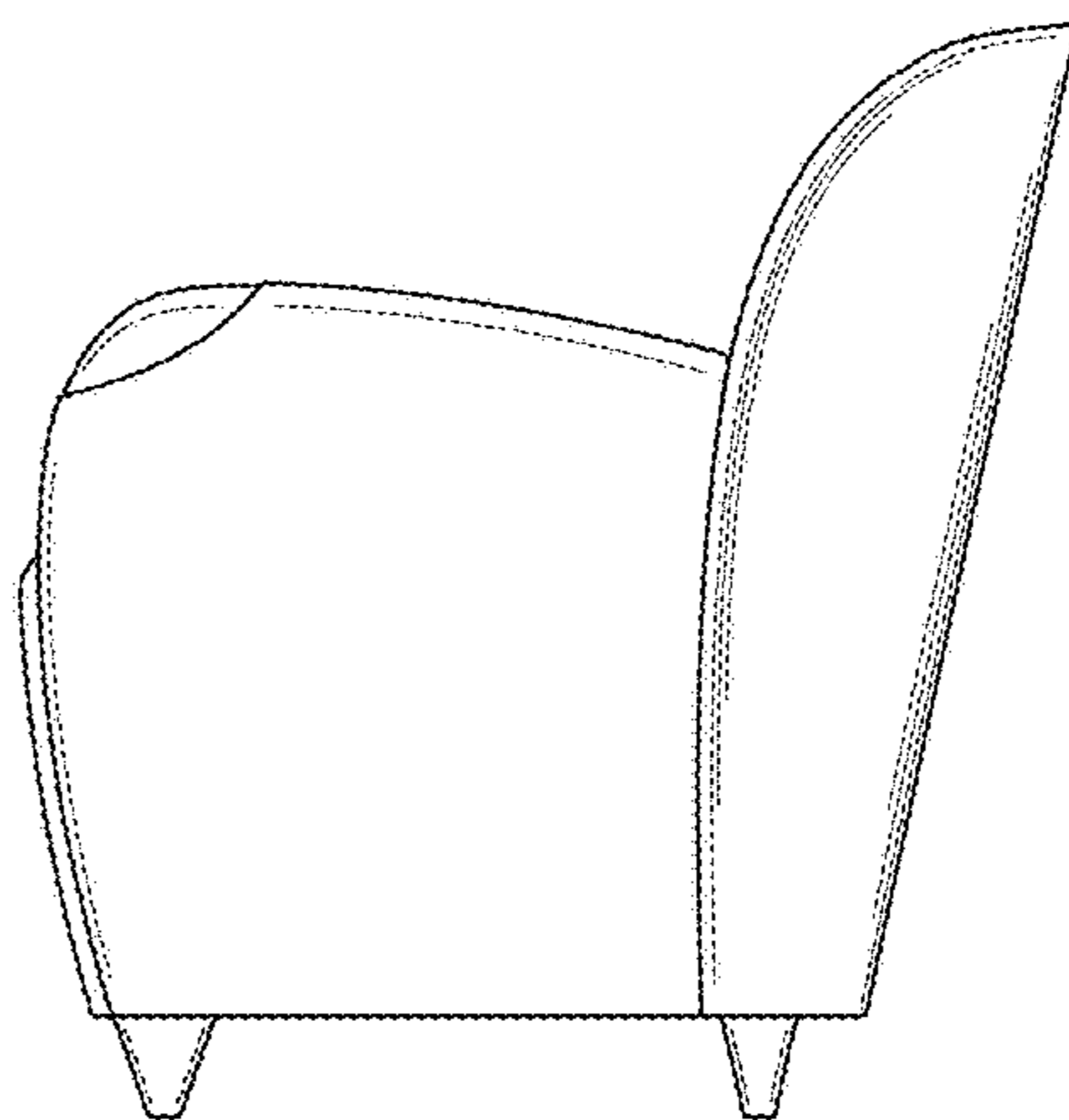


FIG. 23

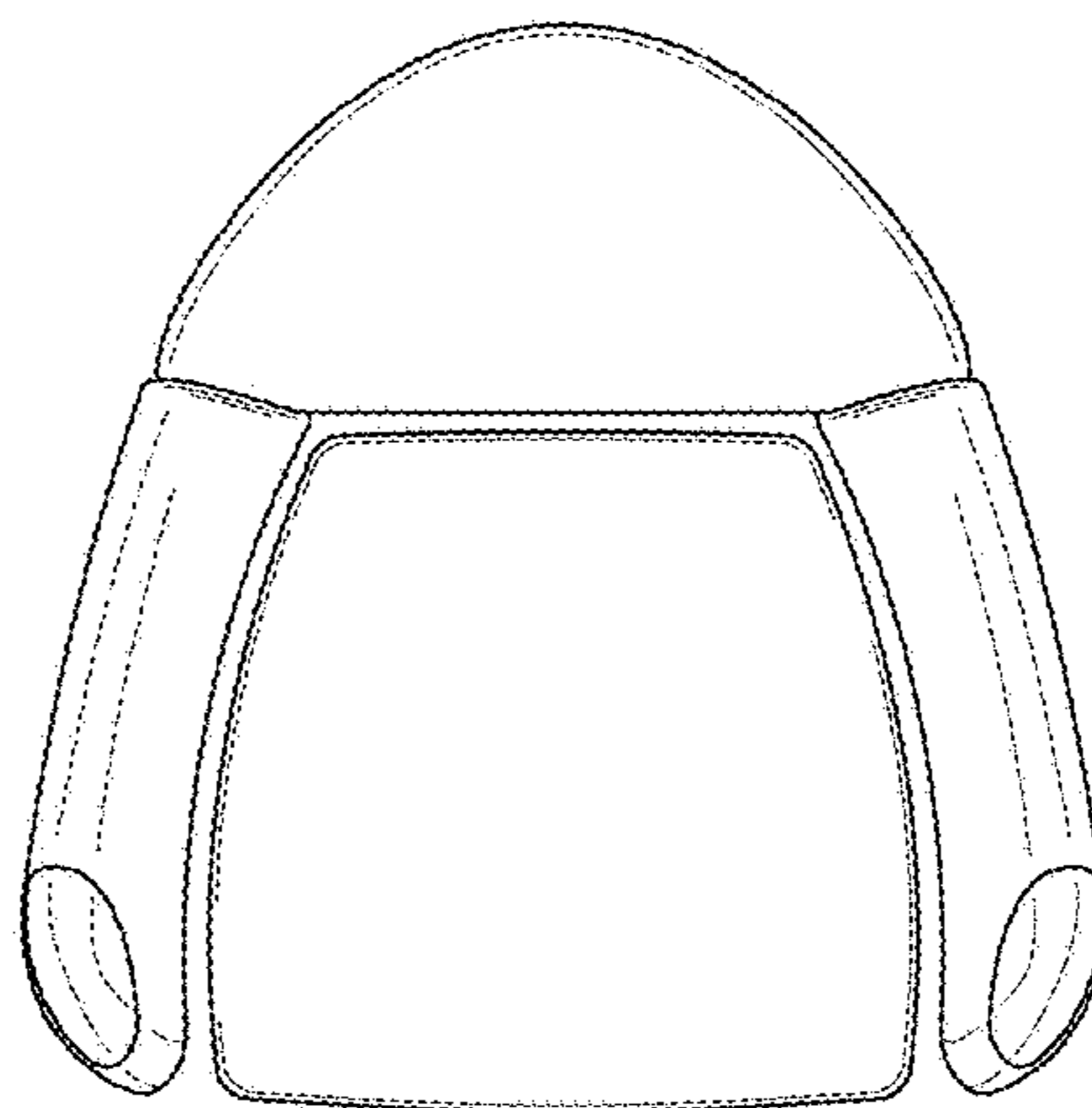


FIG. 24