



US00D785953S

(12) **United States Design Patent** (10) **Patent No.:** **US D785,953 S**
St. Laurent (45) **Date of Patent:** **** May 9, 2017**

(54) **SPORTS THEMED PICTURE FRAME**
(71) Applicant: **Game Frames LLC**, Walled Lake, MI (US)
(72) Inventor: **Randy St. Laurent**, Walled Lake, MI (US)
(73) Assignee: **GAME FRAMES LLC**, Walled Lake, MI (US)

D317,530 S * 6/1991 Masterson D11/133
D324,554 S 3/1992 McKinney
D325,306 S 4/1992 Barfield
D332,881 S 2/1993 Blackburn et al.
(Continued)

(**) Term: **15 Years**
(21) Appl. No.: **29/555,227**

(22) Filed: **Feb. 19, 2016**
(51) **LOC (10) Cl.** **06-07**
(52) **U.S. Cl.**
USPC **D6/303**
(58) **Field of Classification Search**
USPC D6/300-314
CPC A47G 1/06; A47G 1/605; A47G 1/0616;
A47G 1/0633; A47G 2001/0666; A47G
2001/0688; A47G 2001/0694; A47G 1/12;
A47G 1/14

See application file for complete search history.

(56) **References Cited**

U.S. PATENT DOCUMENTS

1,857,423 A 5/1932 Milton
2,535,225 A 12/1950 Oczkowski
2,541,600 A 2/1951 Nelson
D212,372 S 10/1968 Trimble et al.
D216,988 S 3/1970 Je Rue et al.
3,561,762 A 2/1971 Russell
3,703,291 A 11/1972 Lutz
D233,500 S 11/1974 Phillirs
D237,933 S * 12/1975 Farley D6/303
4,210,328 A 7/1980 Inglat et al.
D259,610 S * 6/1981 Martin D6/303
D259,611 S * 6/1981 Martin D6/303
D275,967 S 10/1984 Morano

OTHER PUBLICATIONS

Randall St. Laurent, "Football Picture Frame", U.S. Appl. No. 29/552,577, filed Jan. 22, 2016.

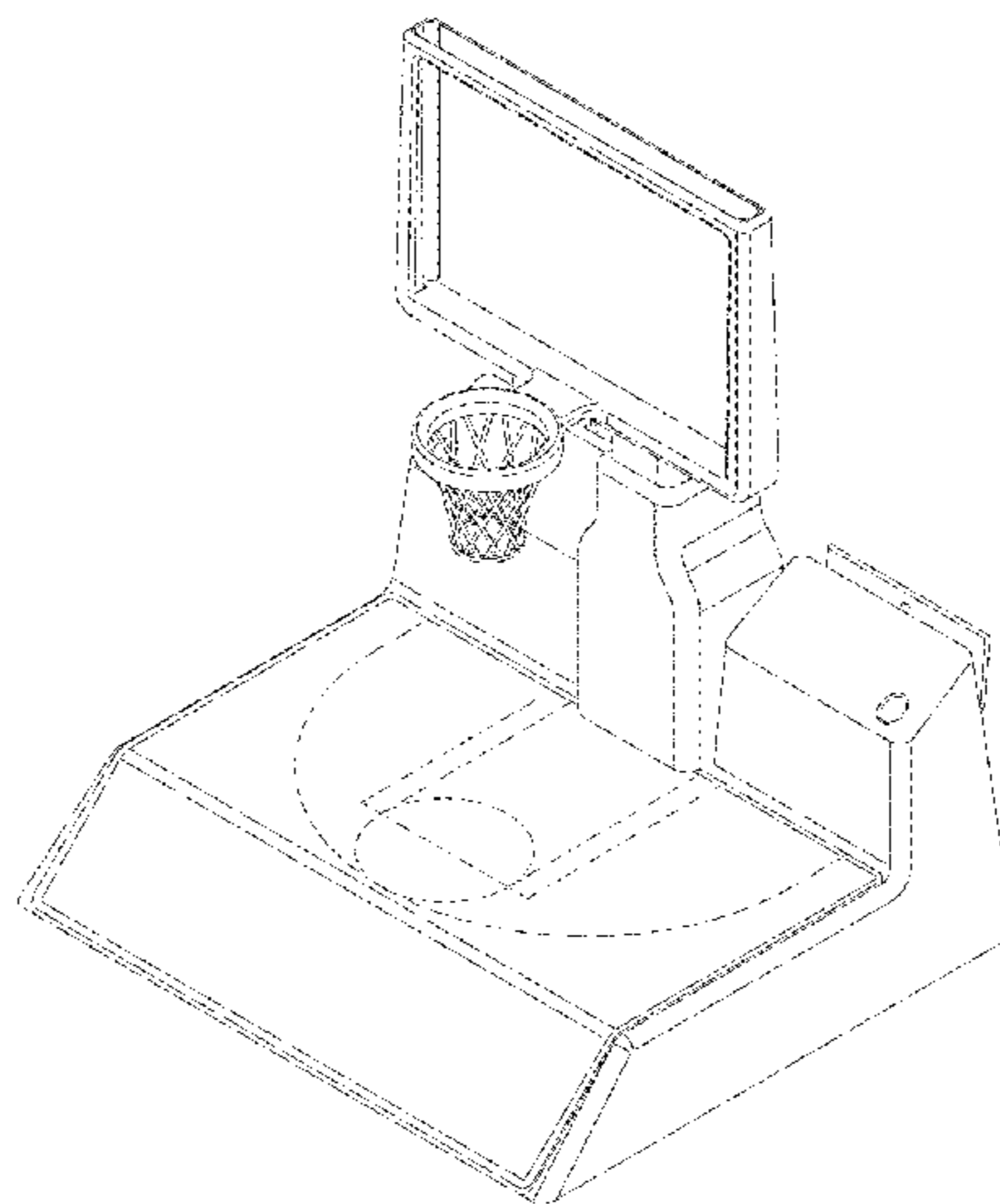
Primary Examiner — Deanna L Pratt
(74) *Attorney, Agent, or Firm* — Carlson, Gaskey & Olds P.C.

(57) **CLAIM**
We claim the ornamental design of a sports themed picture frame, as shown and described.

DESCRIPTION

FIG. 1 is a front-perspective view of a sports themed picture frame, in particular a basketball themed picture frame, where the sports themed picture frame includes a support for a picture, and a display base. In FIG. 1, there is no picture in the frame.
FIG. 2 is a rear-perspective view of the sports themed picture frame of FIG. 1.
FIG. 3 is a top view of the sports themed picture frame of FIG. 1.
FIG. 4 is a right side view of the sports themed picture frame of FIG. 1.
FIG. 5 is a left side view of the sports themed picture frame of FIG. 1.
FIG. 6 is a front view of the sports themed picture frame of FIG. 1, showing an example picture provided in the frame; and,
FIG. 7 is a rear view of the sports themed picture frame of FIG. 1.
The broken lines shown in the drawings illustrate portions of the sports themed picture frame that form no part of the claimed design.

1 Claim, 2 Drawing Sheets



(56)

References Cited

U.S. PATENT DOCUMENTS

| | | | |
|-----------------|---------|------------------|-----------------------------|
| D341,730 S | 11/1993 | Sampson et al. | |
| 5,280,904 A | 1/1994 | Rodriguez | |
| D347,033 S | 5/1994 | Moretz | |
| D351,067 S | 10/1994 | Masterson | |
| 5,453,915 A * | 9/1995 | Bradley, III | A45D 42/16 248/474 |
| D367,080 S | 2/1996 | Anderson | |
| D388,963 S * | 1/1998 | Williams | D6/303 |
| D390,292 S | 2/1998 | Hoag | |
| D410,699 S | 6/1999 | Herlitz | |
| D410,713 S | 6/1999 | Sherwood | |
| D416,137 S | 11/1999 | Messersmith | |
| D433,471 S | 11/2000 | Hsu et al. | |
| D440,407 S * | 4/2001 | Farley | D10/6 |
| D440,613 S | 4/2001 | Davis | |
| 6,212,811 B1 * | 4/2001 | Jones | A47G 1/14 40/781 |
| D497,485 S * | 10/2004 | Resultan | D6/300 |
| D529,968 S | 10/2006 | Frankel | |
| D531,685 S | 11/2006 | Frankel | |
| 7,201,676 B2 | 4/2007 | Rumfola, III | |
| D546,617 S | 7/2007 | Griffard | |
| D579,690 S * | 11/2008 | O'Con | D14/451 |
| D582,174 S * | 12/2008 | O'Con | D14/451 |
| D583,807 S | 12/2008 | O'Con | |
| D618,731 S | 6/2010 | Fedorski | |
| D638,063 S | 5/2011 | O'Con | |
| D654,115 S | 2/2012 | O'Con | |
| 8,220,189 B2 | 7/2012 | Makhija et al. | |
| D692,961 S | 11/2013 | Moiseyev | |
| D721,235 S * | 1/2015 | Goodwin | D6/303 |
| D725,392 S * | 3/2015 | Goodwin | D6/303 |
| D730,064 S * | 5/2015 | St. Laurent | D6/303 |
| D736,523 S * | 8/2015 | St. Laurent | D6/300 |
| 2002/0166275 A1 | 11/2002 | Broadwell | |
| 2002/0174582 A1 | 11/2002 | Garfinkle et al. | |
| 2005/0090336 A1 | 4/2005 | Nye et al. | |
| 2008/0178506 A1 | 7/2008 | Garfinkle | |
| 2009/0174145 A1 | 7/2009 | Staver et al. | |
| 2011/0266744 A1 | 11/2011 | Martinez et al. | |
| 2012/0202623 A1 | 8/2012 | Bowden | |

* cited by examiner

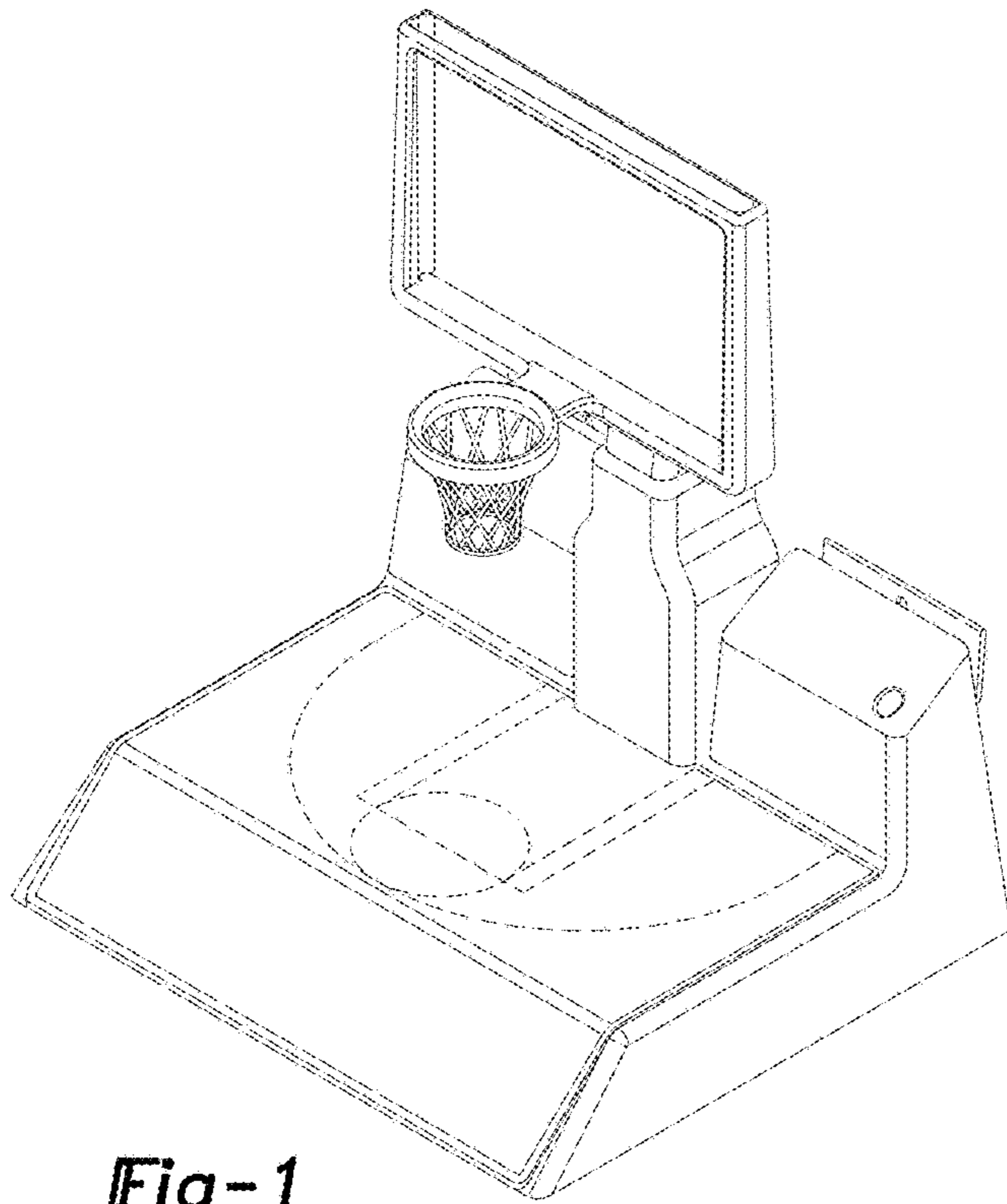


Fig-1

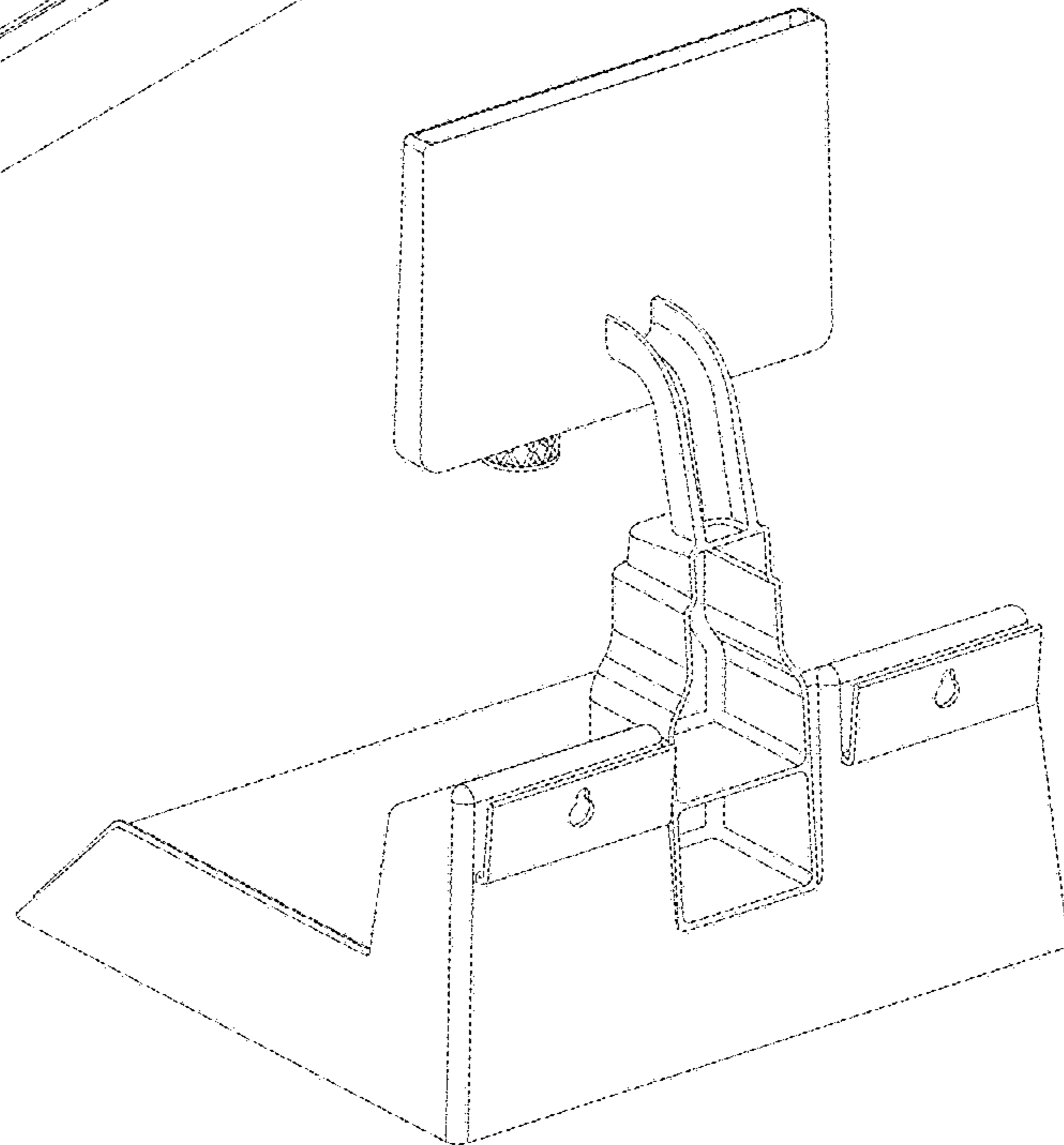


Fig-2

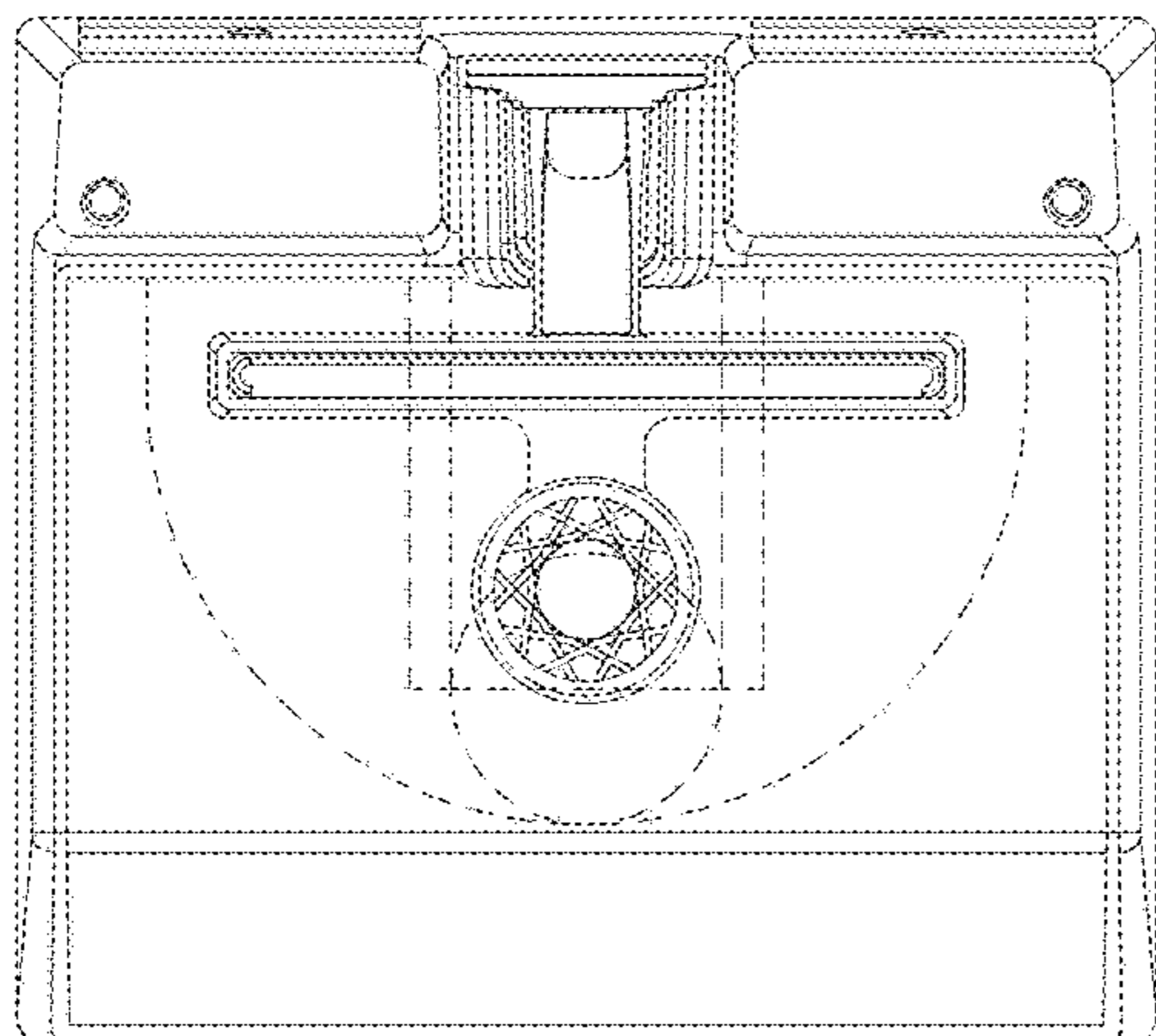


Fig-3

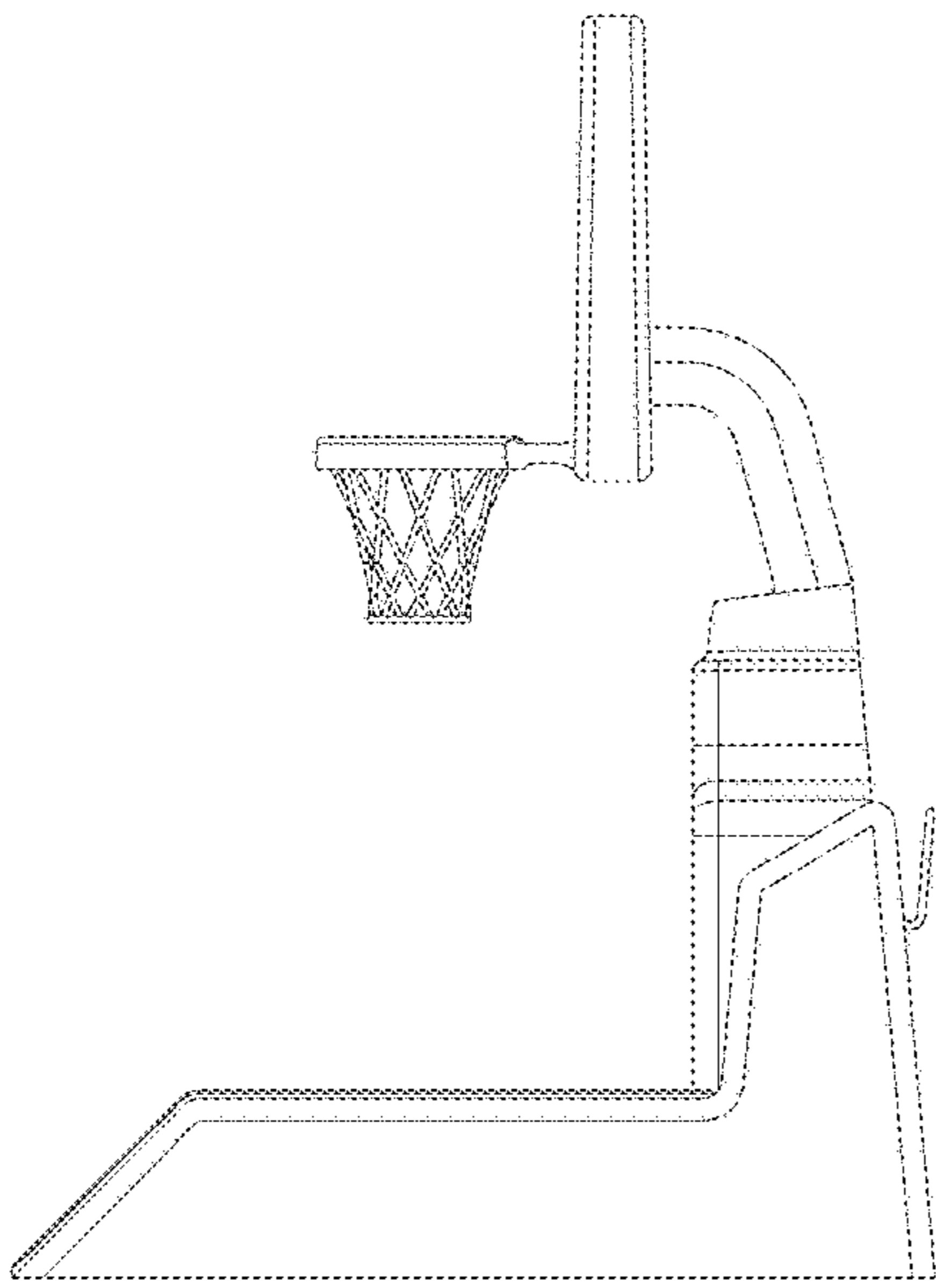


Fig-4

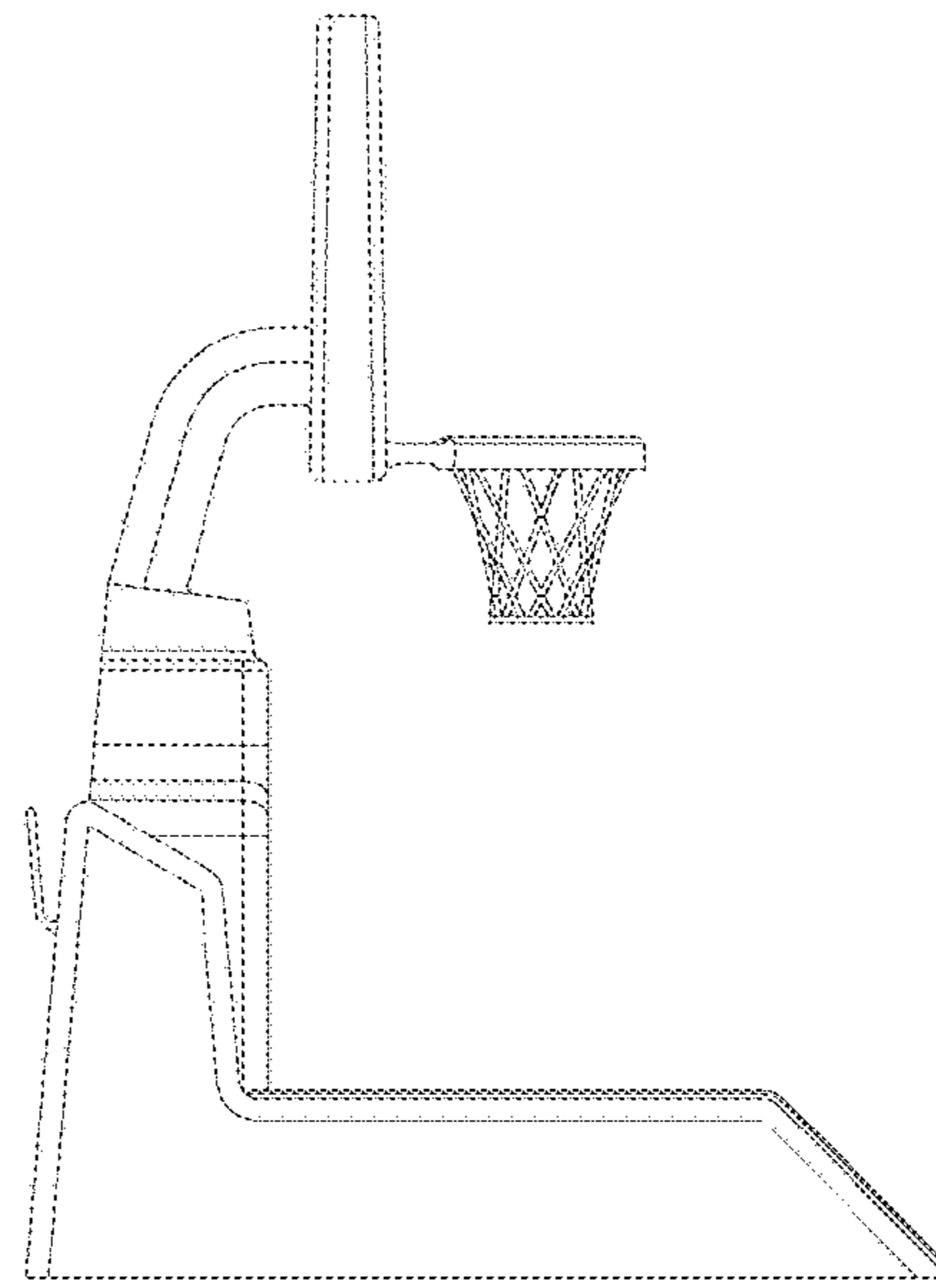


Fig-5

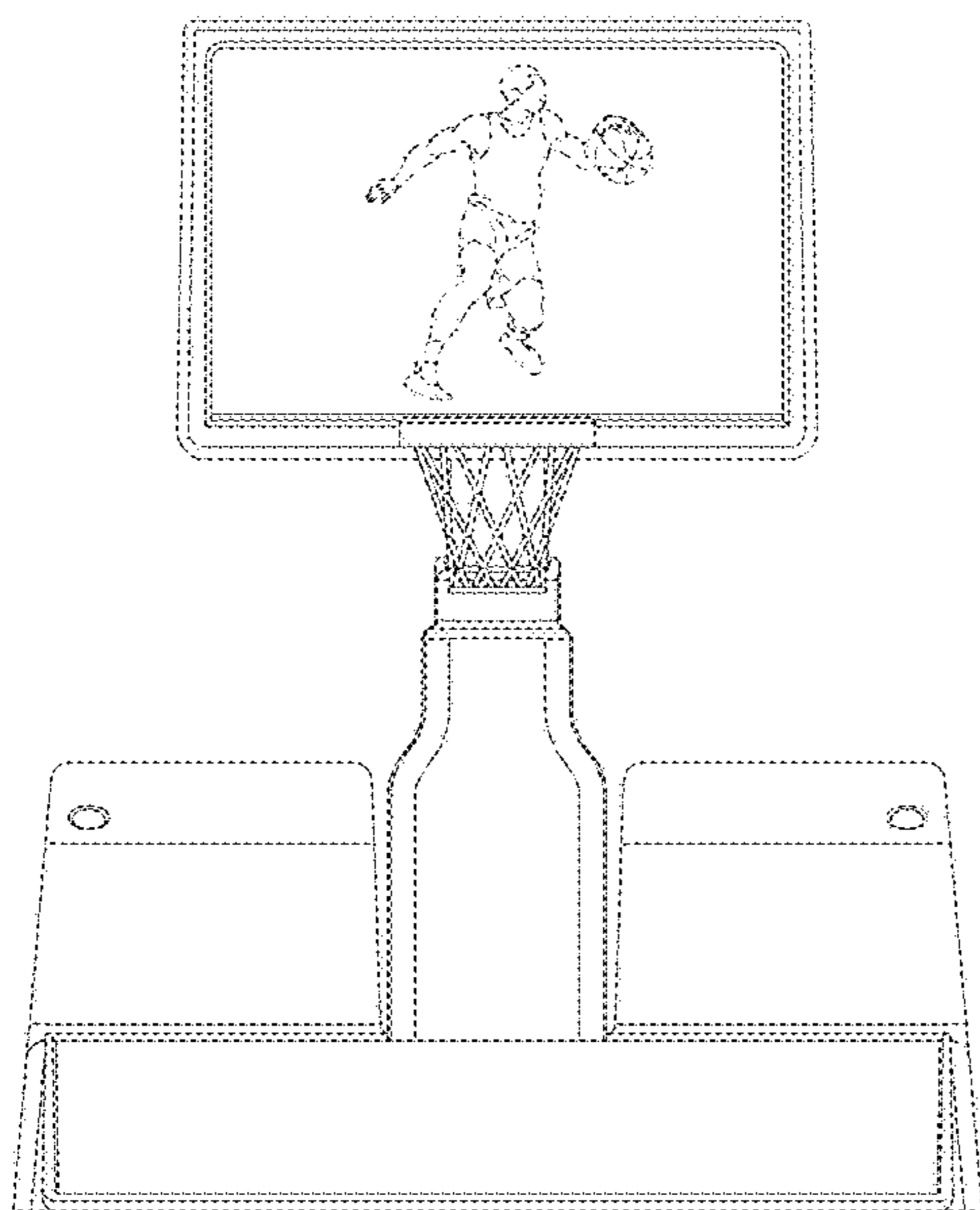


Fig-6

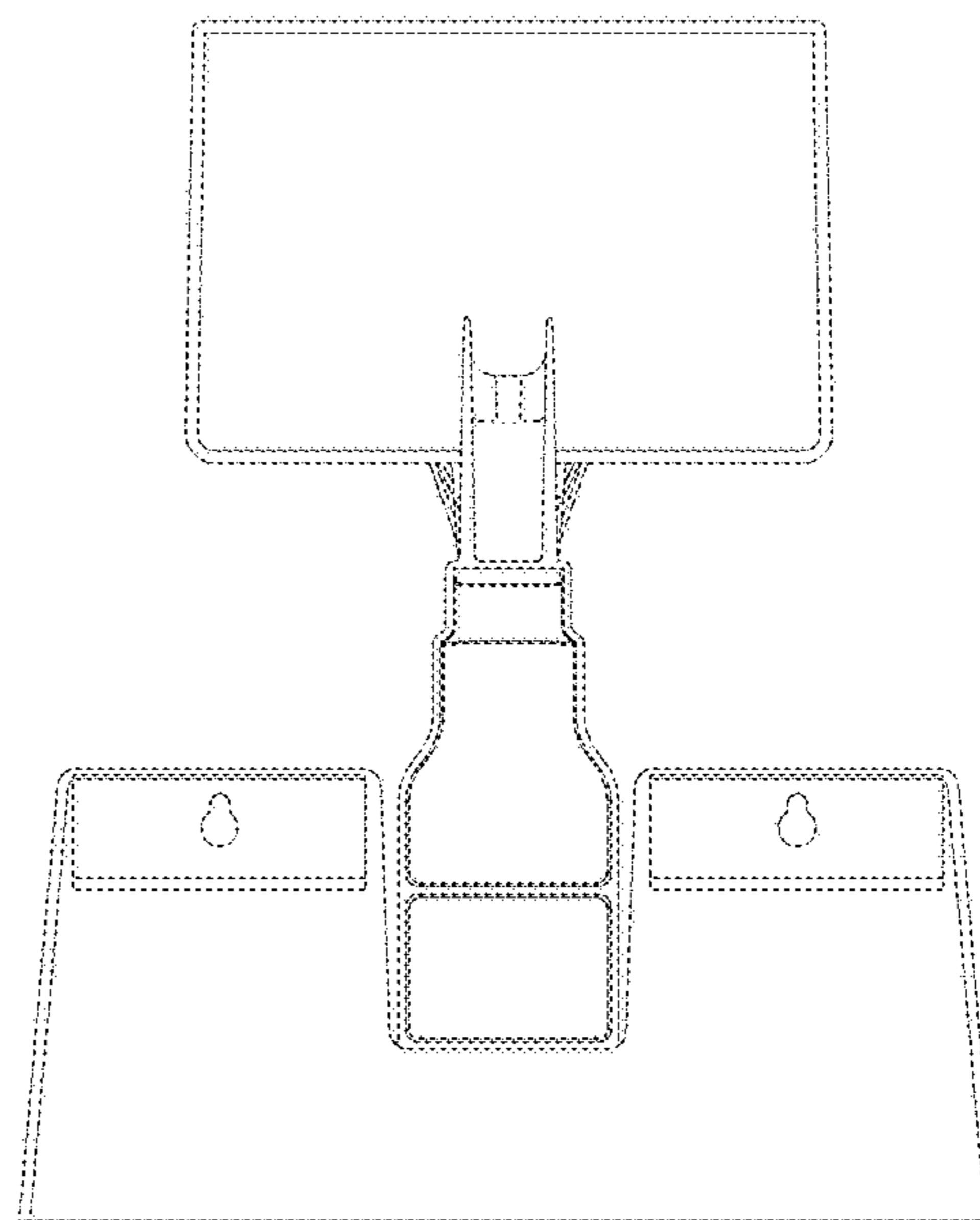


Fig-7

UNITED STATES PATENT AND TRADEMARK OFFICE
CERTIFICATE OF CORRECTION

PATENT NO. : D785,953 S
APPLICATION NO. : 29/555227
DATED : May 9, 2017
INVENTOR(S) : Randy St. Laurent

Page 1 of 4

It is certified that error appears in the above-identified patent and that said Letters Patent is hereby corrected as shown below:

On the Title Page

Delete the title page and substitute therefore with the attached title page consisting of the corrected illustrative figure.

In the Drawings

Please replace FIGS. 1-7 with FIGS. 1-7 as shown on the attached pages.

Signed and Sealed this
Twenty-fourth Day of October, 2017



Joseph Matal

*Performing the Functions and Duties of the
Under Secretary of Commerce for Intellectual Property and
Director of the United States Patent and Trademark Office*

(12) **United States Design Patent** (10) **Patent No.:** **US D785,953 S**
St. Laurent (45) **Date of Patent:** **** May 9, 2017**

(54) **SPORTS THEMED PICTURE FRAME**
 (71) Applicant: **Game Frames LLC**, Walled Lake, MI (US)
 (72) Inventor: **Randy St. Laurent**, Walled Lake, MI (US)
 (73) Assignee: **GAME FRAMES LLC**, Walled Lake, MI (US)
 (**) Term: **15 Years**
 (21) Appl. No.: **29/555,227**
 (22) Filed: **Feb. 19, 2016**
 (51) **LOC (10) Cl.** **06-07**
 (52) **U.S. Cl.** **D6/303**
 (58) **Field of Classification Search**
 USPC: D6/300-314
 CPC: A47G 1/06; A47G 1/605; A47G 1/0616; A47G 1/0633; A47G 2001/0666; A47G 2001/0688; A47G 2001/0694; A47G 1/12; A47G 1/14
 See application file for complete search history.

D317,530 S * 6/1991 Masterson D11/133
 D324,554 S 3/1992 McKinney
 D325,306 S 4/1992 Barfield
 D332,881 S 2/1993 Blackburn et al.
 (Continued)

OTHER PUBLICATIONS

Randall St. Laurent, "Football Picture Frame", U.S. Appl. No. 29/552,577, filed Jan. 22, 2016.

Primary Examiner — Deanna L. Pratt
 (74) *Attorney, Agent, or Firm* — Carlson, Gaskey & Olds P.C.

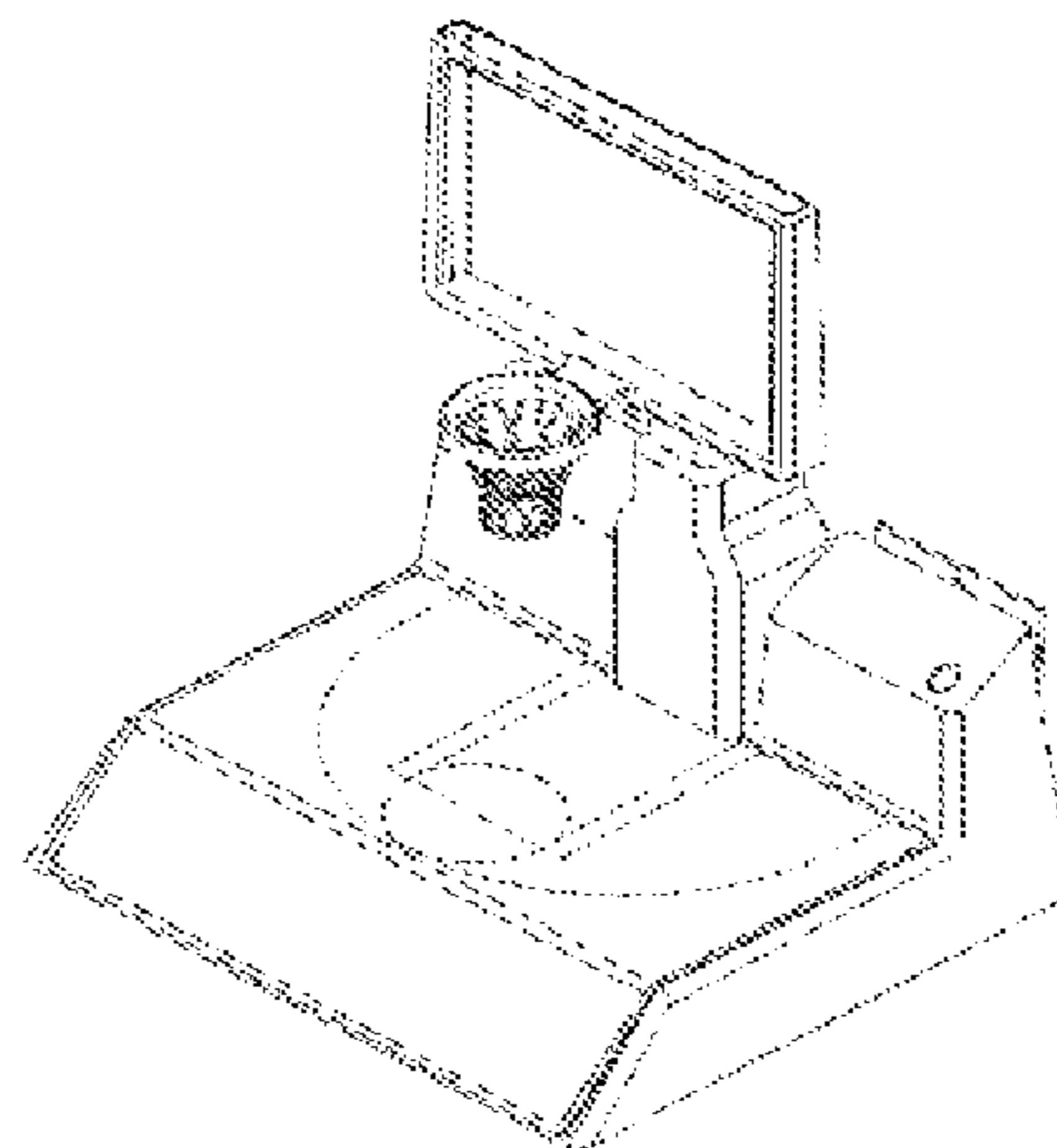
(57) **CLAIM**
 We claim the ornamental design of a sports themed picture frame, as shown and described.

DESCRIPTION

FIG. 1 is a front-perspective view of a sports themed picture frame, in particular a basketball themed picture frame, where the sports themed picture frame includes a support for a picture, and a display base. In FIG. 1, there is no picture in the frame.
 FIG. 2 is a rear-perspective view of the sports themed picture frame of FIG. 1.
 FIG. 3 is a top view of the sports themed picture frame of FIG. 1.
 FIG. 4 is a right side view of the sports themed picture frame of FIG. 1.
 FIG. 5 is a left side view of the sports themed picture frame of FIG. 1.
 FIG. 6 is a front view of the sports themed picture frame of FIG. 1, showing an example picture provided in the frame; and
 FIG. 7 is a rear view of the sports themed picture frame of FIG. 1.
 The broken lines shown in the drawings illustrate portions of the sports themed picture frame that form no part of the claimed design.

(56) **References Cited**
U.S. PATENT DOCUMENTS
 1,857,423 A 5/1932 Milton
 2,535,225 A 12/1950 Oczkowski
 2,541,600 A 2/1951 Nelson
 D212,372 S 10/1968 Trimble et al.
 D216,988 S 3/1970 Je Rue et al.
 3,561,762 A 2/1971 Russell
 3,703,291 A 11/1972 Iutz
 D233,500 S 11/1974 Phillips
 D237,933 S * 12/1975 Parley D6/303
 4,210,328 A 7/1980 Inglat et al.
 D259,610 S * 6/1981 Martin D6/303
 D259,611 S * 6/1981 Martin D6/303
 D275,967 S 10/1984 Merano

1 Claim, 2 Drawing Sheets



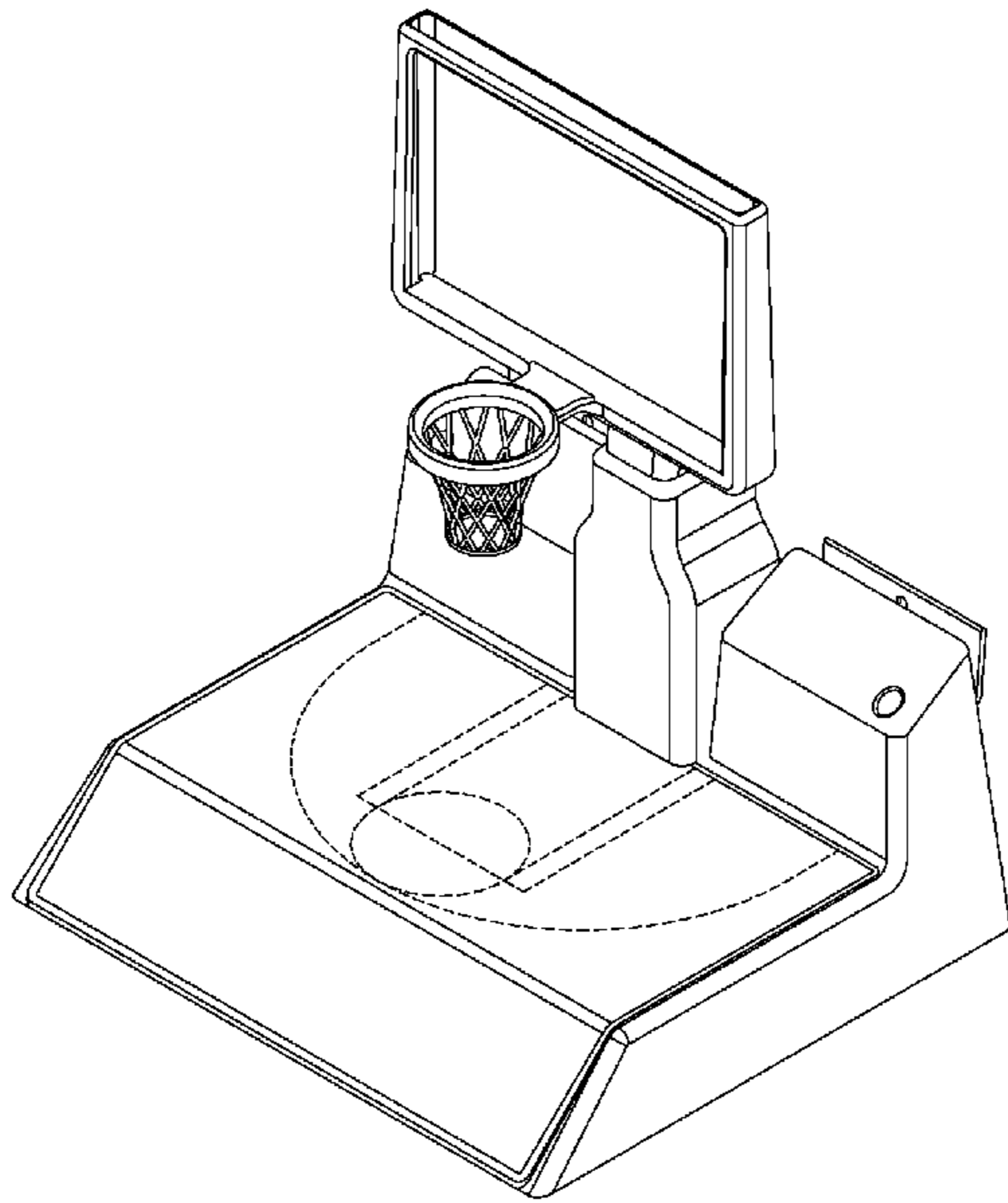


Fig-1

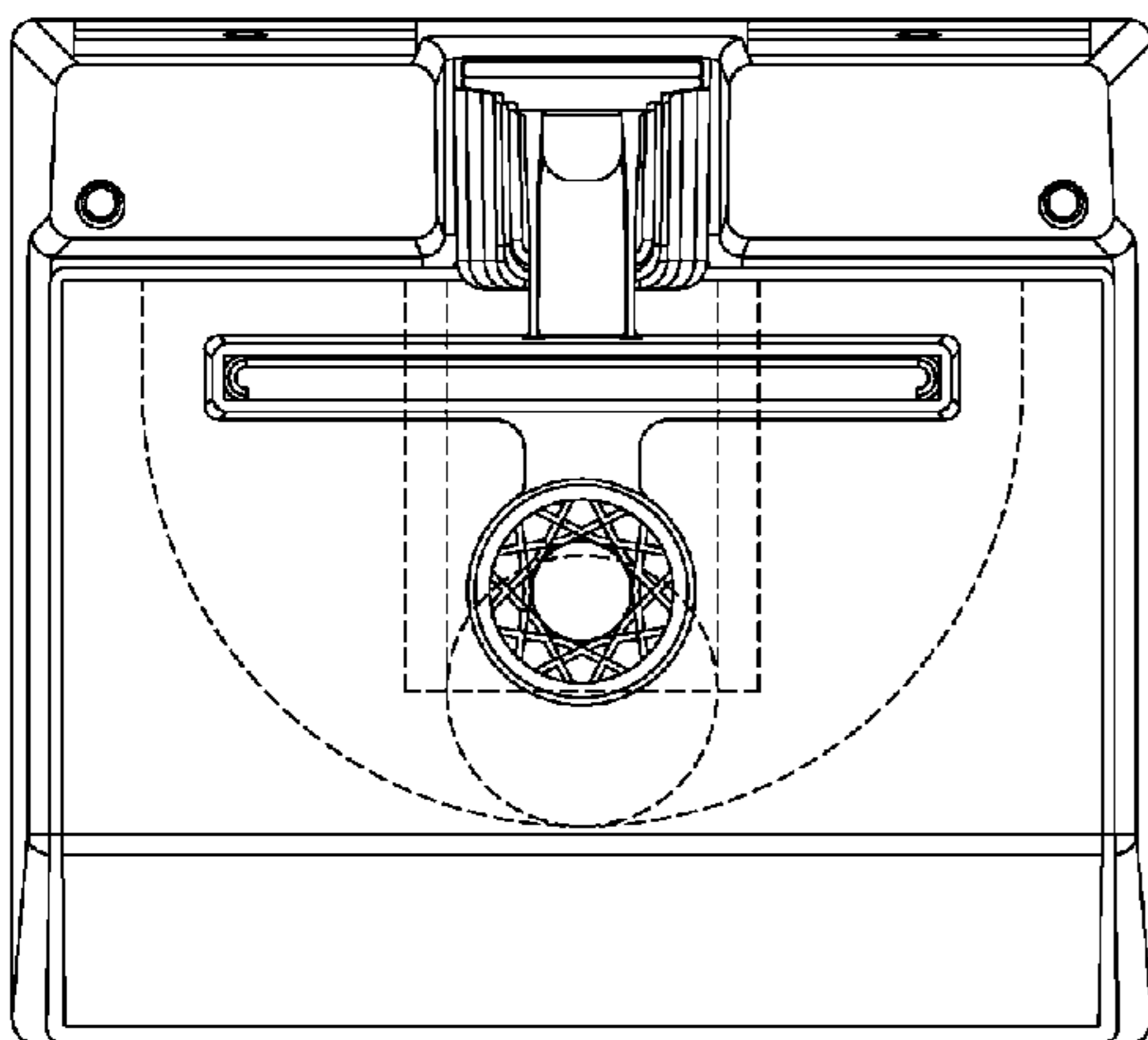


Fig-3

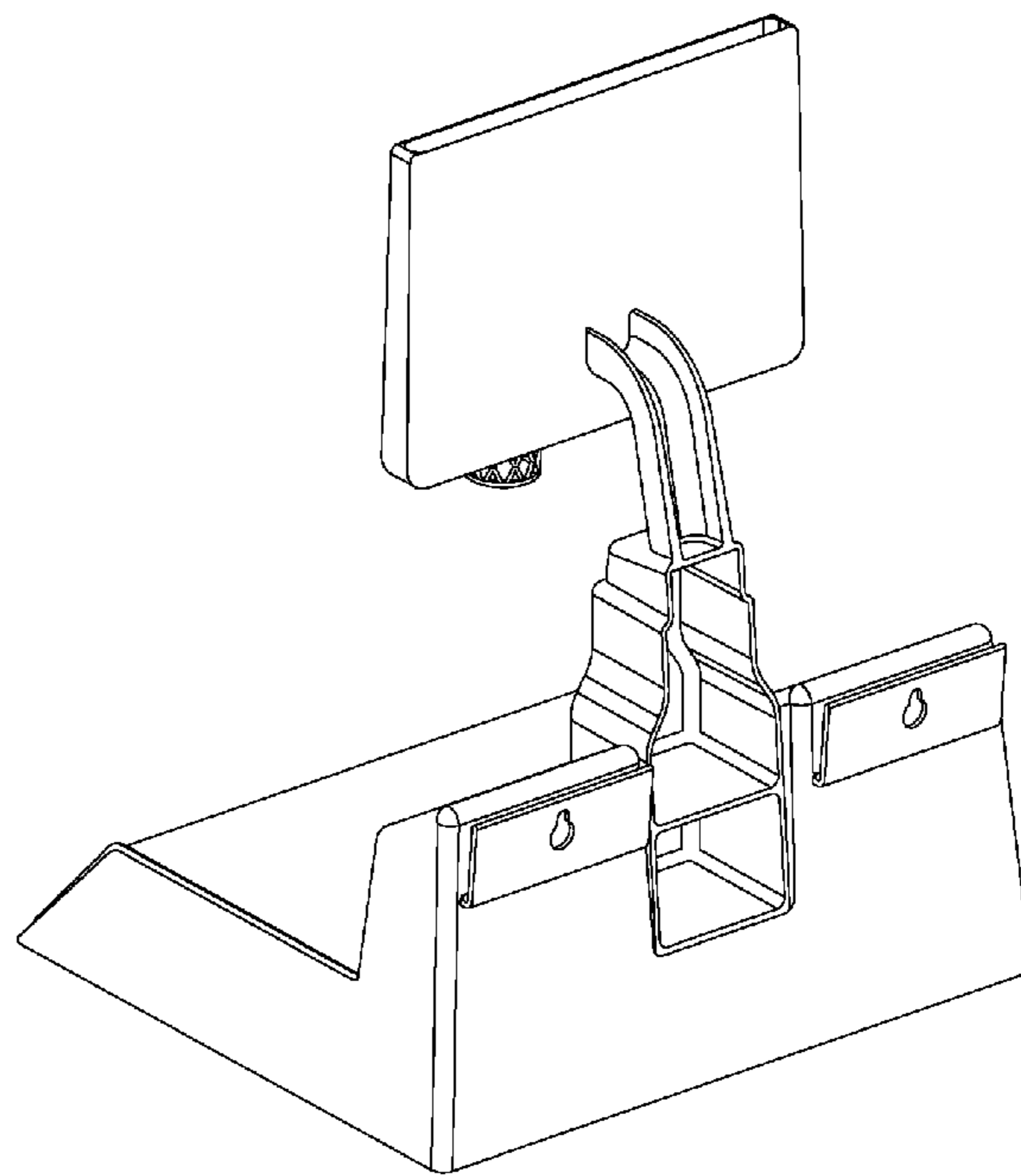


Fig-2

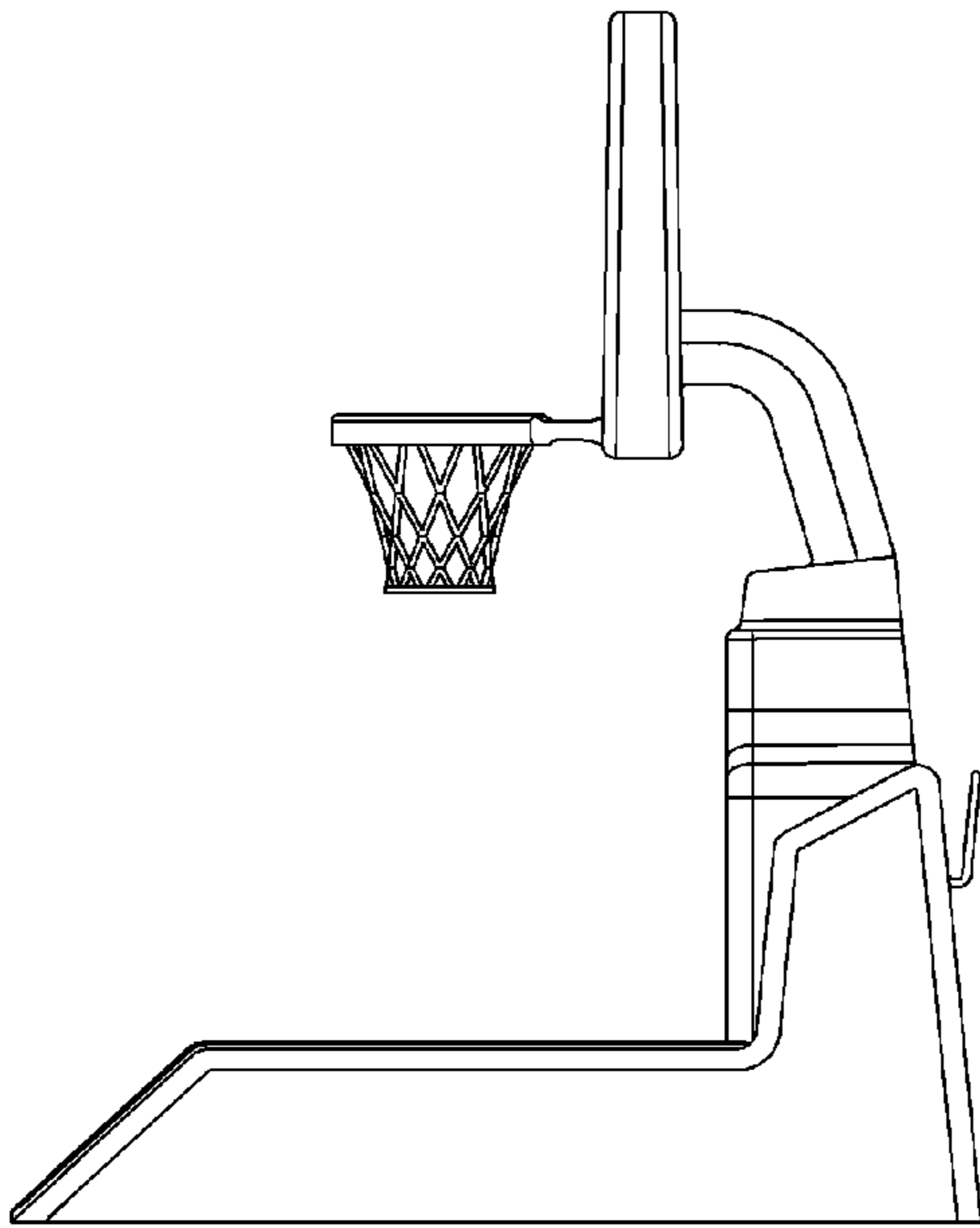


Fig-4

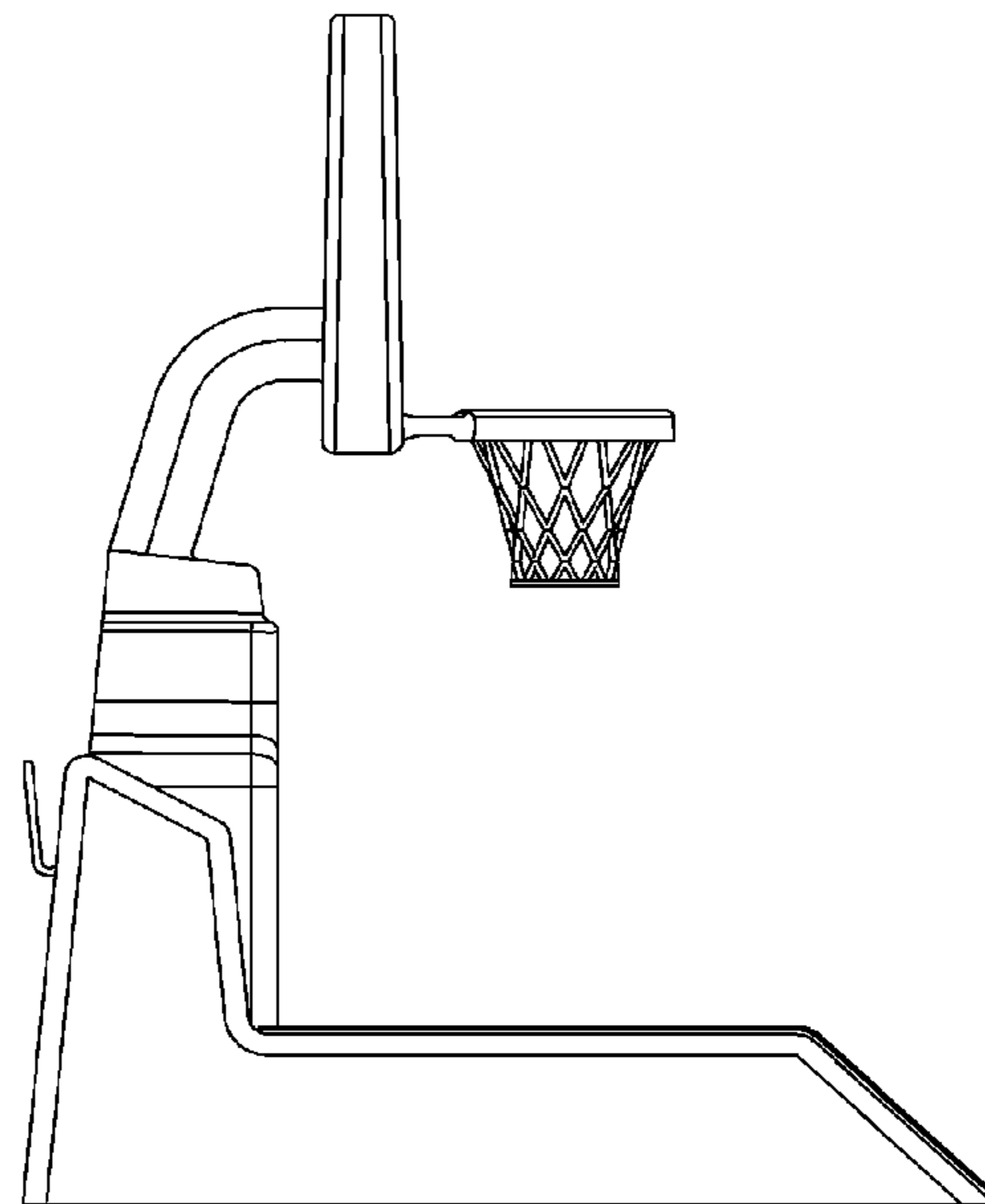


Fig-5

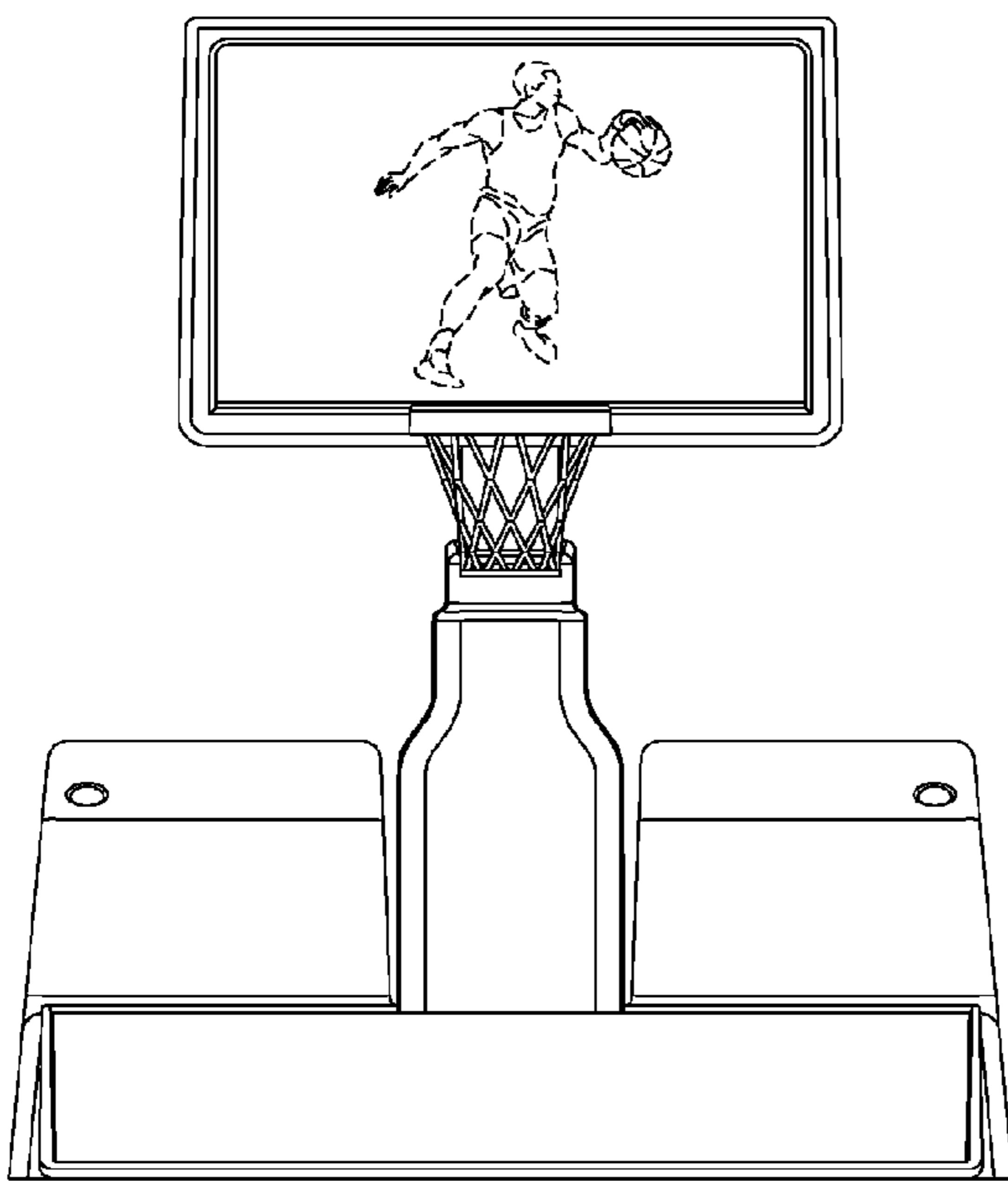


Fig-6

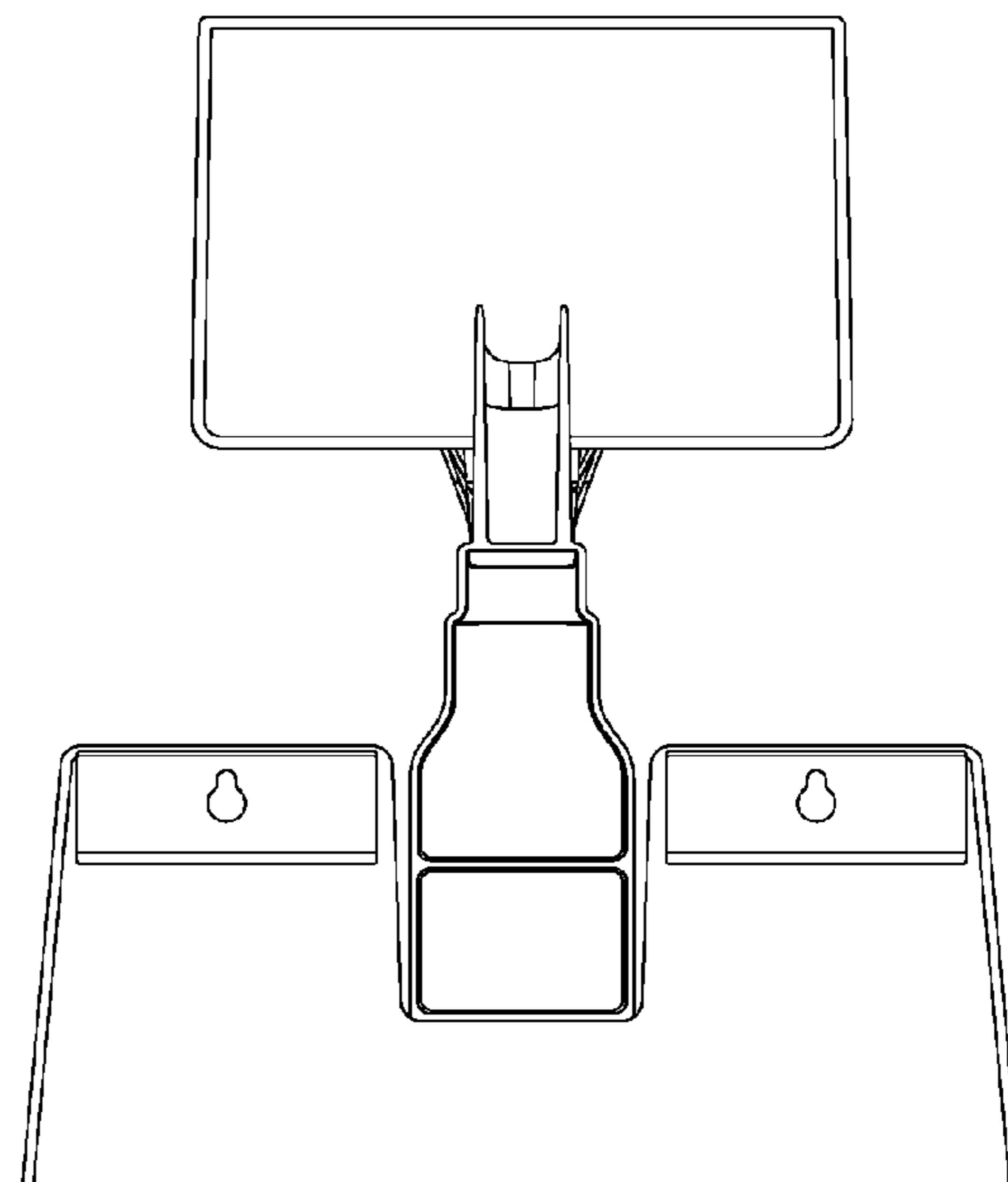


Fig-7