



US00D785952S

(12) **United States Design Patent** (10) **Patent No.:** **US D785,952 S**
St. Laurent (45) **Date of Patent:** **** May 9, 2017**

(54) **FOOTBALL PICTURE FRAME**

(71) Applicant: **Randall St. Laurent**, Walled Lake, MI (US)

(72) Inventor: **Randall St. Laurent**, Walled Lake, MI (US)

(73) Assignee: **Randall St. Laurent**, Walled Lake, MI (US)

(**) Term: **15 Years**

(21) Appl. No.: **29/552,577**

(22) Filed: **Jan. 22, 2016**

(51) **LOC (10) Cl.** **06-07**

(52) **U.S. Cl.**

USPC **D6/303**

(58) **Field of Classification Search**

USPC D6/300-314

CPC A47G 1/06; A47G 1/605; A47G 1/0616;

A47G 1/0633; A47G 2001/0666; A47G

2001/0688; A47G 2001/0694; A47G 1/12;

A47G 1/14

See application file for complete search history.

(56) **References Cited**

U.S. PATENT DOCUMENTS

1,857,423	A	5/1932	Zadek	
2,535,225	A	12/1950	Oczkowski	
2,541,600	A	2/1951	Nelson	
D212,372	S	10/1968	Trimple et al.	
D216,988	S	3/1970	Je Rue et al.	
3,561,762	A	2/1971	Russell	
3,703,291	A	11/1972	Lutz	
D233,500	S	11/1974	Phillirs	
D237,933	S	* 12/1975	Farley	D6/303
4,210,328	A	7/1980	Inglat et al.	
D259,610	S	* 6/1981	Martin	D6/303
D259,611	S	* 6/1981	Martin	D6/303
D275,967	S	10/1984	Morano, Jr.	

(Continued)

OTHER PUBLICATIONS

Randy St. Laurent, "Sports Themed Picture Frame", U.S. Appl. No. 29/555,225, filed Feb. 19, 2016.

(Continued)

Primary Examiner — Deanna L Pratt

(74) *Attorney, Agent, or Firm* — Carlson, Gaskey & Olds P.C.

(57) **CLAIM**

The ornamental design for a football picture frame, as shown and described.

DESCRIPTION

FIG. 1 is an isometric front view of the base of the football picture frame showing my new design;

FIG. 2 is a front view thereof;

FIG. 3 is a rear view thereof;

FIG. 4 is a side view thereof;

FIG. 5 is a side view, of the opposing side, thereof; and

FIG. 6 is a top view, thereof.

FIG. 7 is an isometric front view of the goalpost picture-holder of the football picture frame;

FIG. 8 is a front view thereof;

FIG. 9 is a rear view thereof;

FIG. 10 is a side view thereof;

FIG. 11 is a side view, of the opposing side, thereof;

FIG. 12 is a top view, thereof; and

FIG. 13 is a bottom view, thereof.

FIG. 14 is an isometric front view of the goalpost picture-holder inserted into the base of the football picture frame;

FIG. 15 is a front view, thereof;

FIG. 16 is a rear view, thereof;

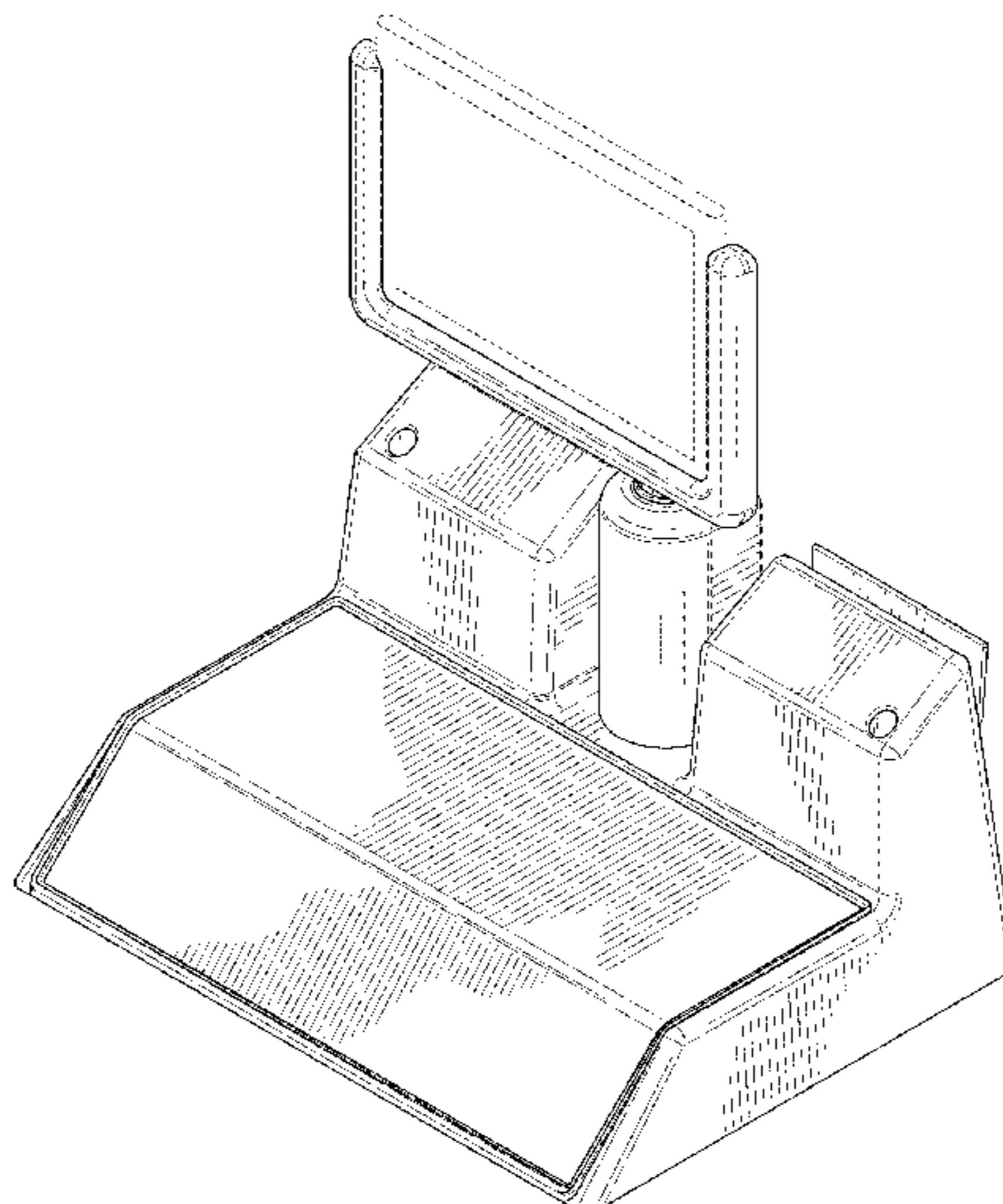
FIG. 17 is a side view, thereof;

FIG. 18 is a side view, of the opposing side, thereof; and,

FIG. 19 is a top view, thereof.

The broken lines shown in FIGS. 7-19 illustrate portions of the football picture frame that form no part of the claimed design.

1 Claim, 17 Drawing Sheets



(56)

References Cited

U.S. PATENT DOCUMENTS

D317,530 S * 6/1991 Masterson D11/133
 D324,554 S 3/1992 McKinney
 D325,306 S 4/1992 Barfield
 D332,881 S 2/1993 Blackburn et al.
 D341,730 S 11/1993 Sampson et al.
 5,280,904 A 1/1994 Rodriguez
 D347,033 S 5/1994 Moretz
 D351,067 S 10/1994 Masterson
 5,453,915 A * 9/1995 Bradley, III A45D 42/16
 248/474
 D367,080 S 2/1996 Anderson
 D388,963 S * 1/1998 Williams D6/303
 D390,292 S 2/1998 Hoag
 D410,699 S 6/1999 Herlitz et al.
 D410,713 S 6/1999 Sherwood et al.
 D416,137 S 11/1999 Messersmith
 D433,471 S 11/2000 Hsu et al.
 D440,407 S * 4/2001 Farley D10/6
 D440,613 S 4/2001 Davis et al.
 6,212,811 B1 * 4/2001 Jones A47G 1/14
 40/781
 D497,485 S * 10/2004 Resultan D6/300
 D529,968 S 10/2006 Frankel
 D531,685 S 11/2006 Frankel

7,201,676 B2 4/2007 Rumfola, III
 D546,617 S 7/2007 Griffard
 D579,690 S * 11/2008 O'Con D14/451
 D582,174 S * 12/2008 O'Con D14/451
 D583,807 S 12/2008 O'Con
 D618,731 S 6/2010 Fedorski
 D638,063 S 5/2011 O'Con
 D654,115 S 2/2012 O'Con
 8,220,189 B2 7/2012 Makhija et al.
 D692,961 S 11/2013 Moiseyev
 D721,235 S * 1/2015 Goodwin D6/303
 D725,392 S * 3/2015 Goodwin D6/303
 D730,064 S * 5/2015 St. Laurent D6/303
 D736,523 S * 8/2015 St. Laurent D6/300
 2002/0166275 A1 11/2002 Broadwell
 2002/0174582 A1 11/2002 Garfinkle et al.
 2005/0090336 A1 4/2005 Nye et al.
 2008/0178506 A1 7/2008 Garfinkle
 2009/0174145 A1 7/2009 Staver et al.
 2011/0266744 A1 11/2011 Martinez et al.
 2012/0202623 A1 8/2012 Bowden

OTHER PUBLICATIONS

Randy St. Laurent, "Sports Themed Picture Frame", U.S. Appl. No. 29/555,227, filed Feb. 19, 2016.

* cited by examiner

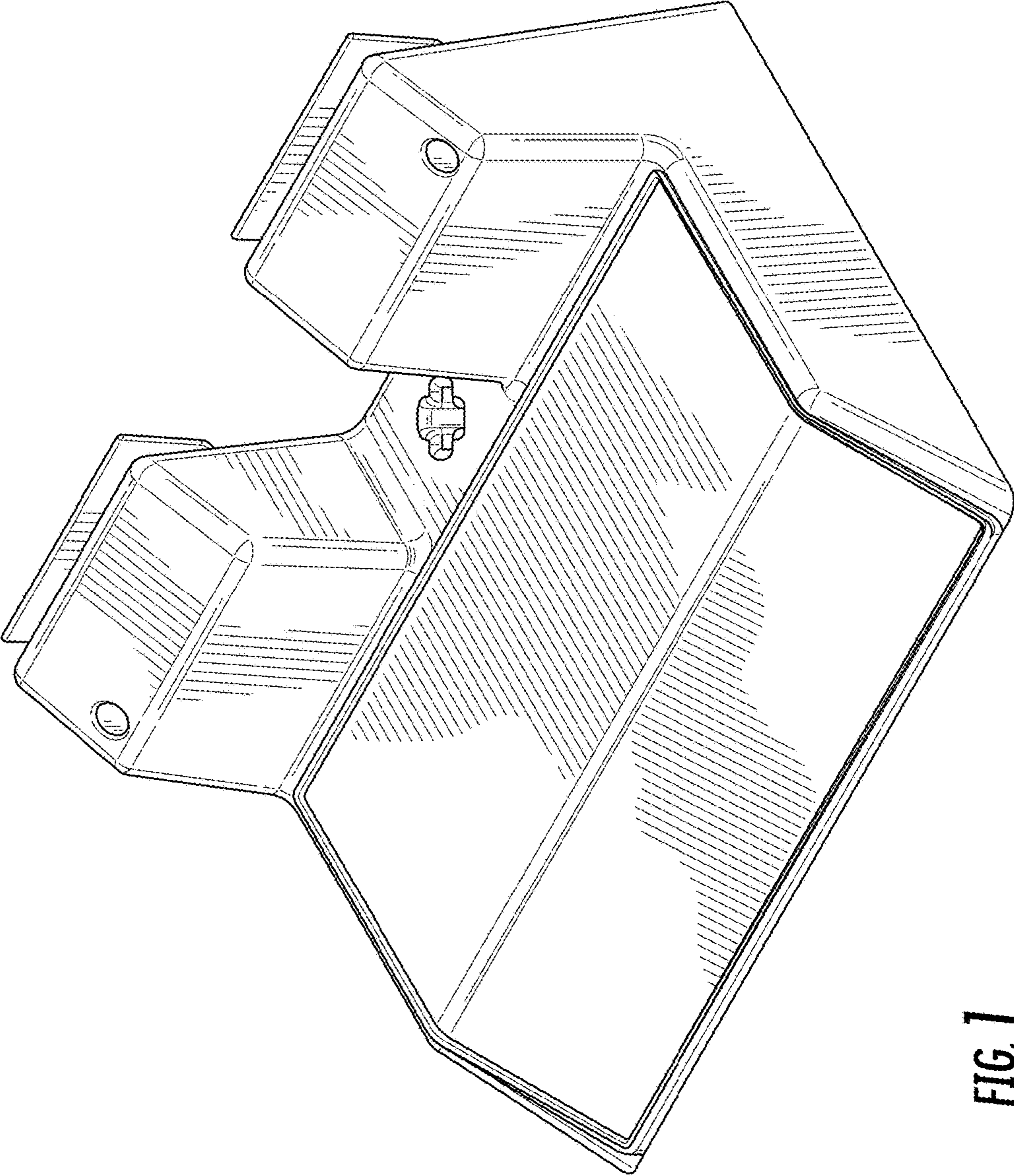


FIG. 1

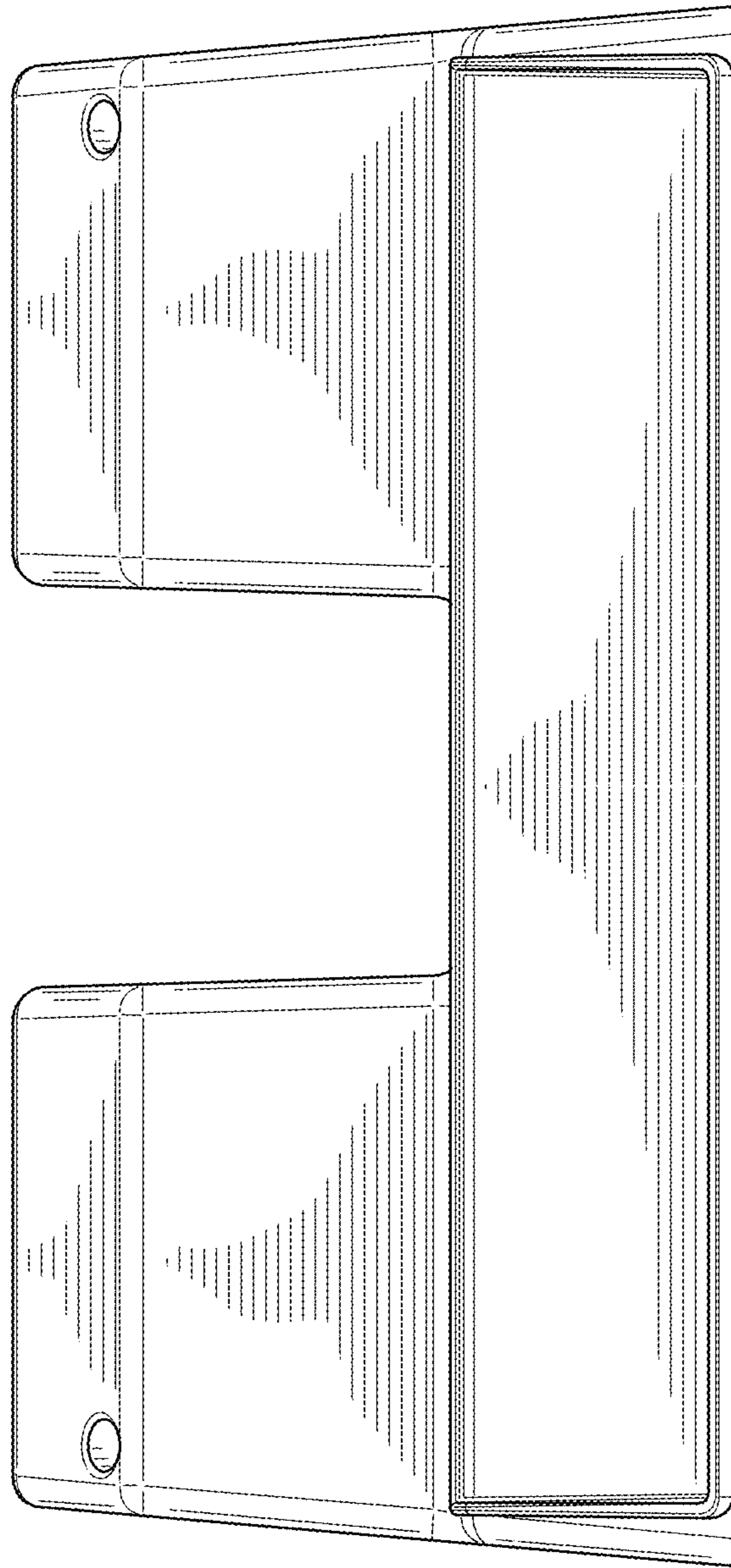


FIG. 2

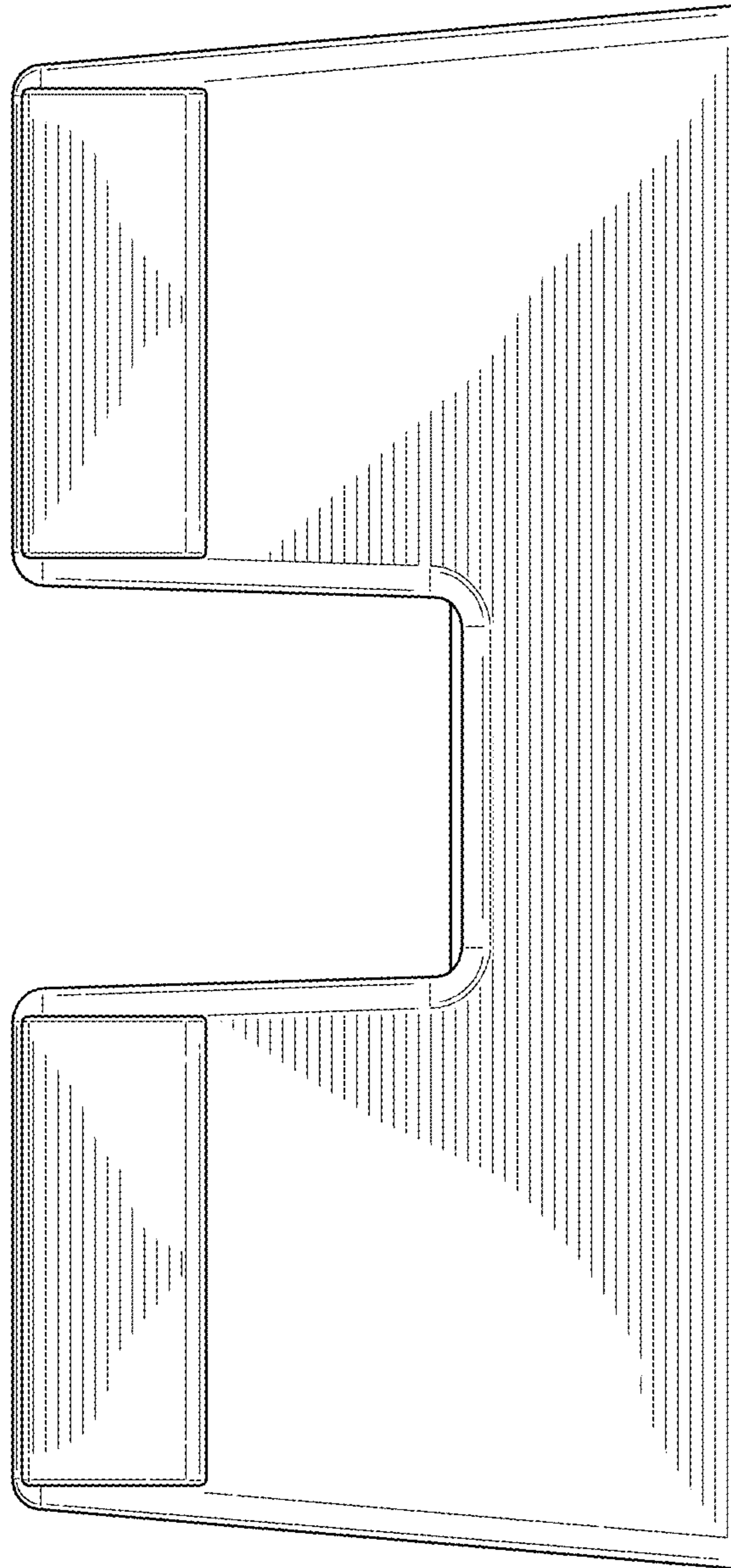


FIG. 3

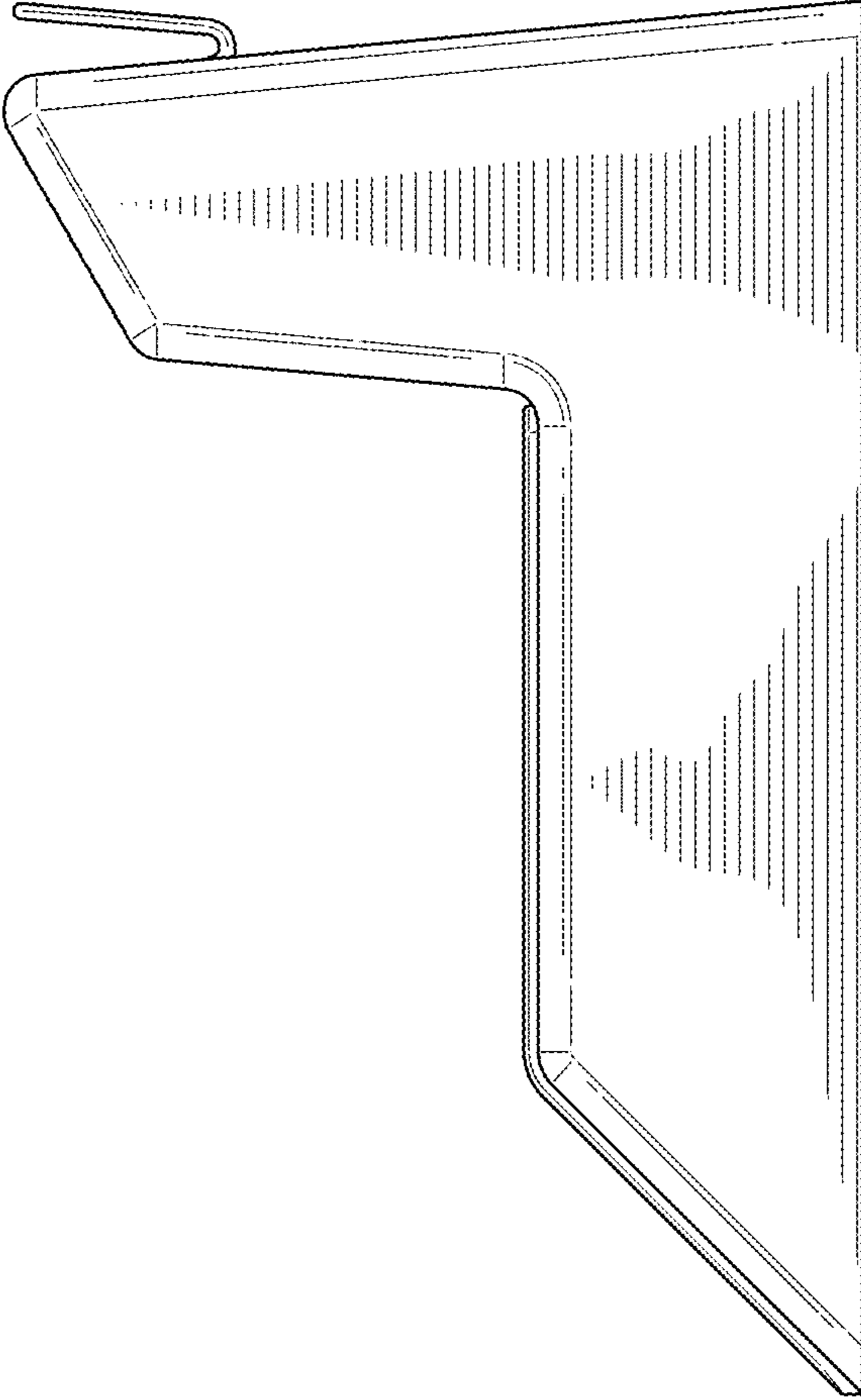


FIG. 4

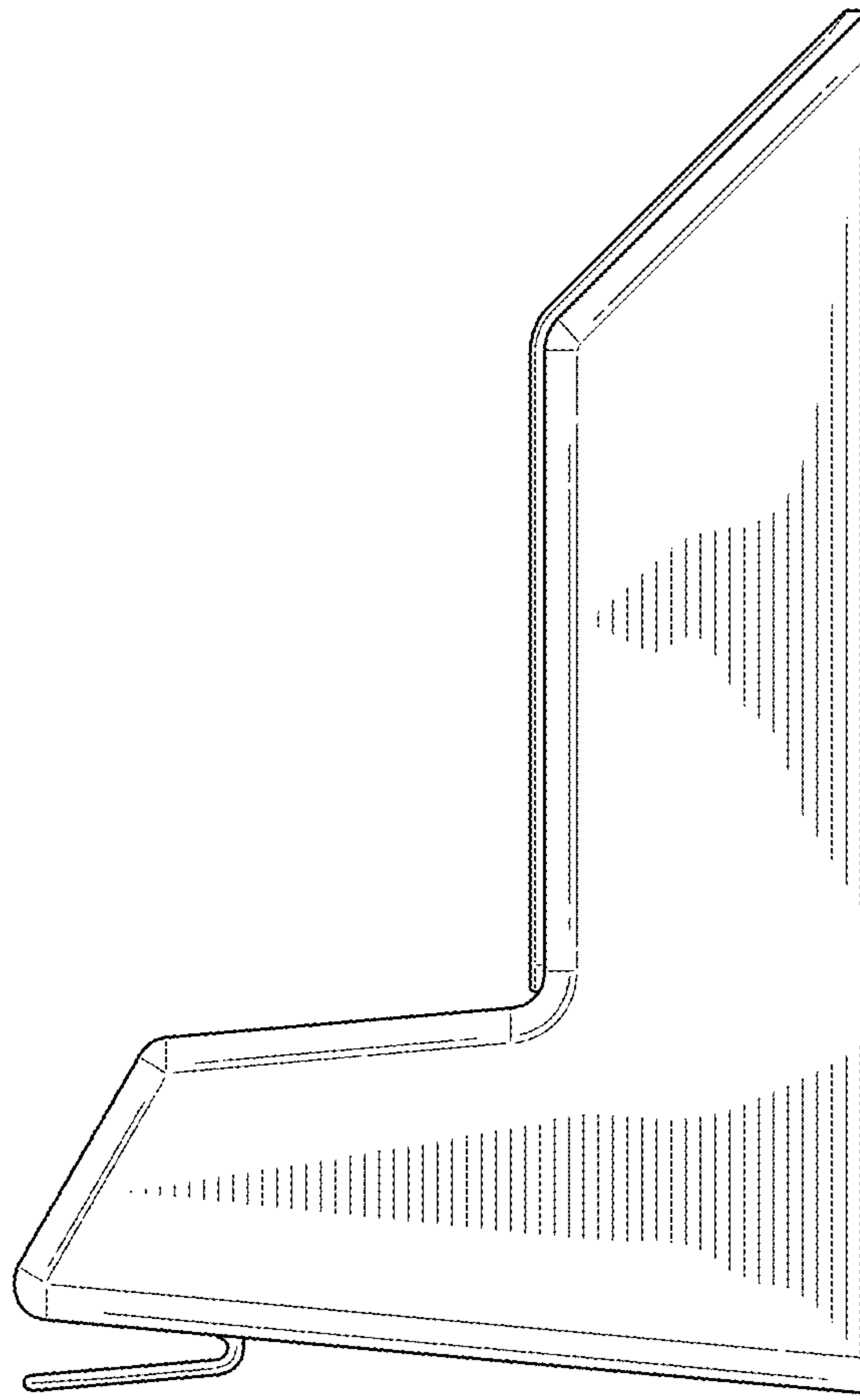


FIG. 5

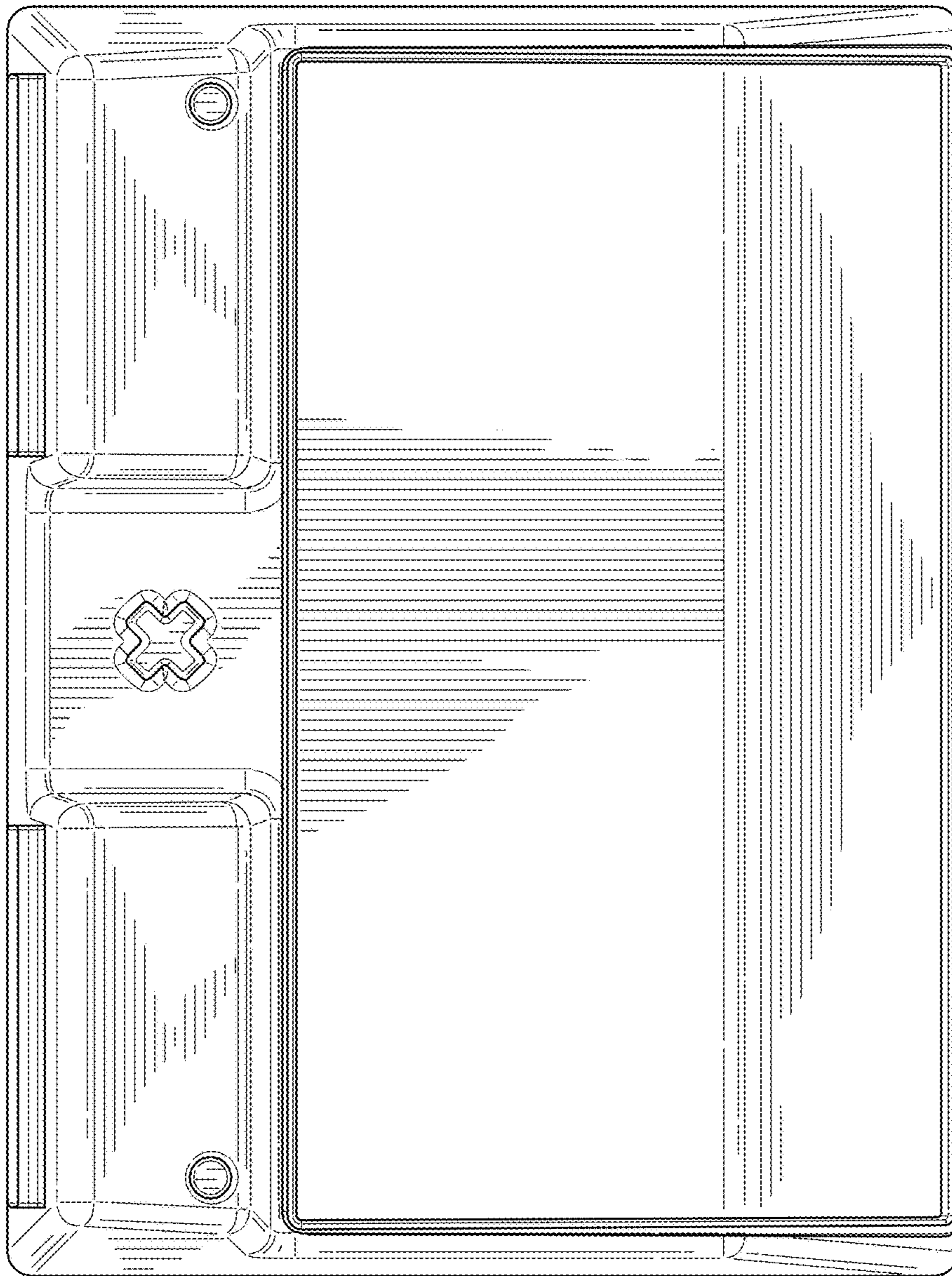


FIG. 6

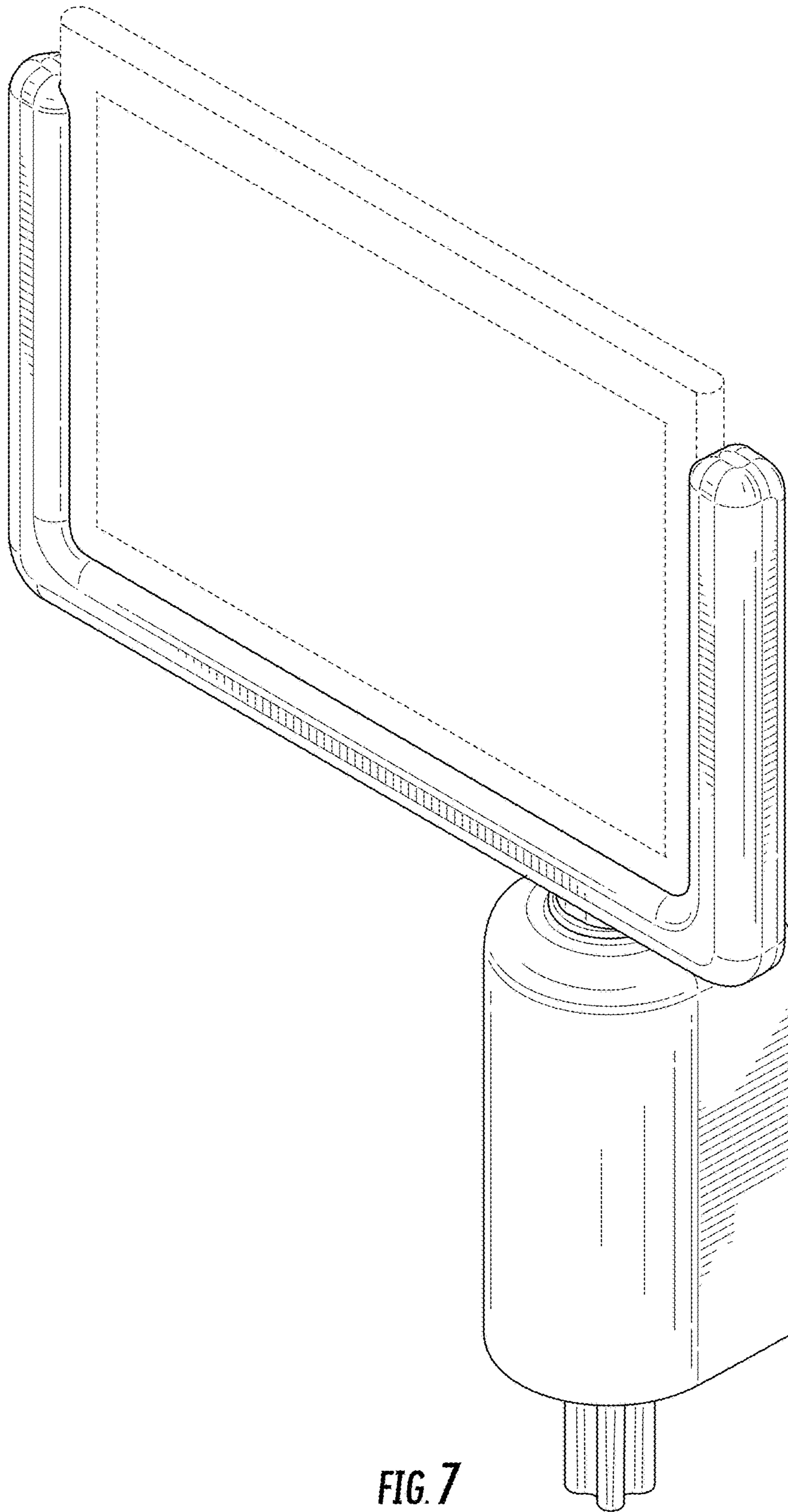


FIG. 7

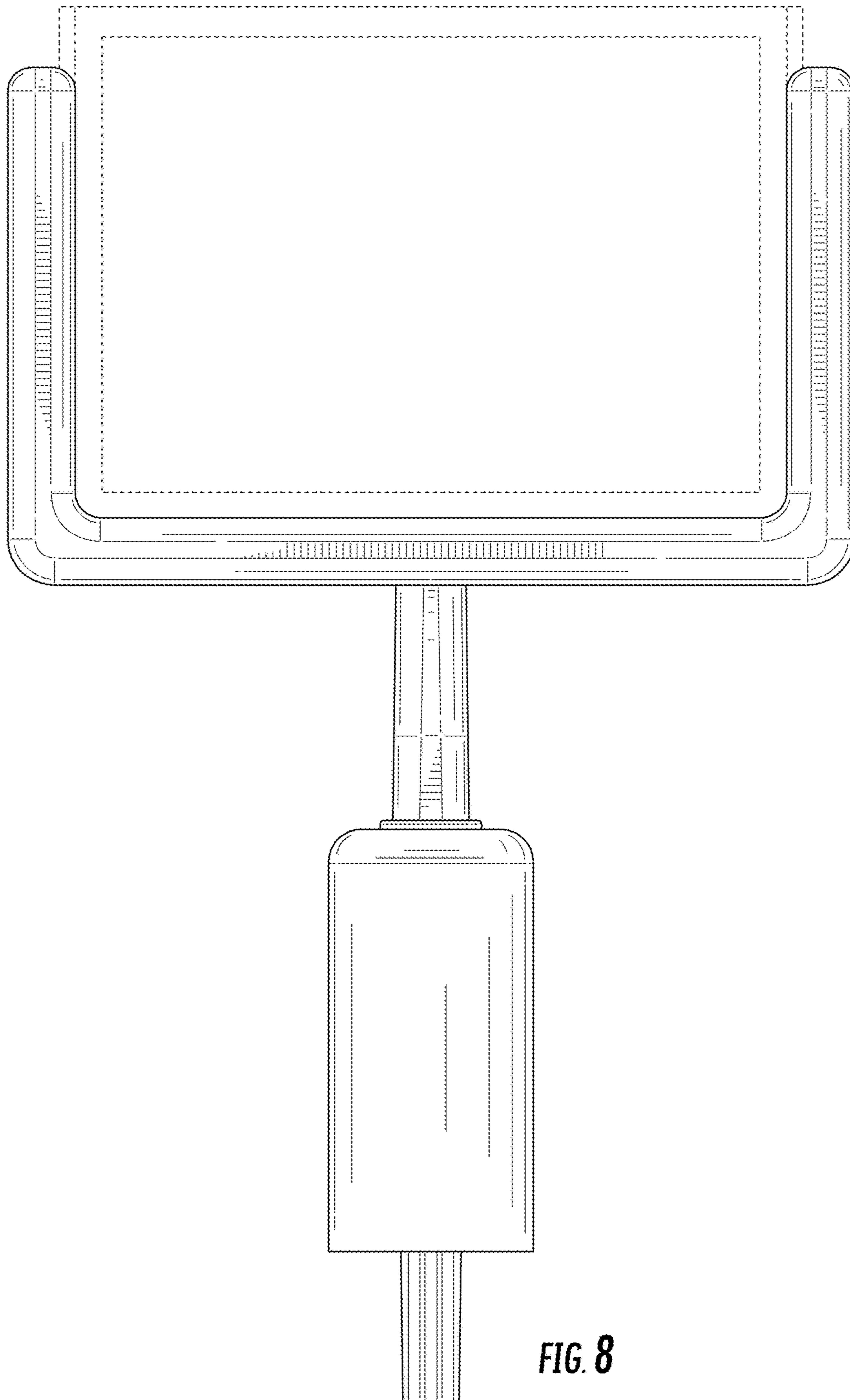


FIG. 8

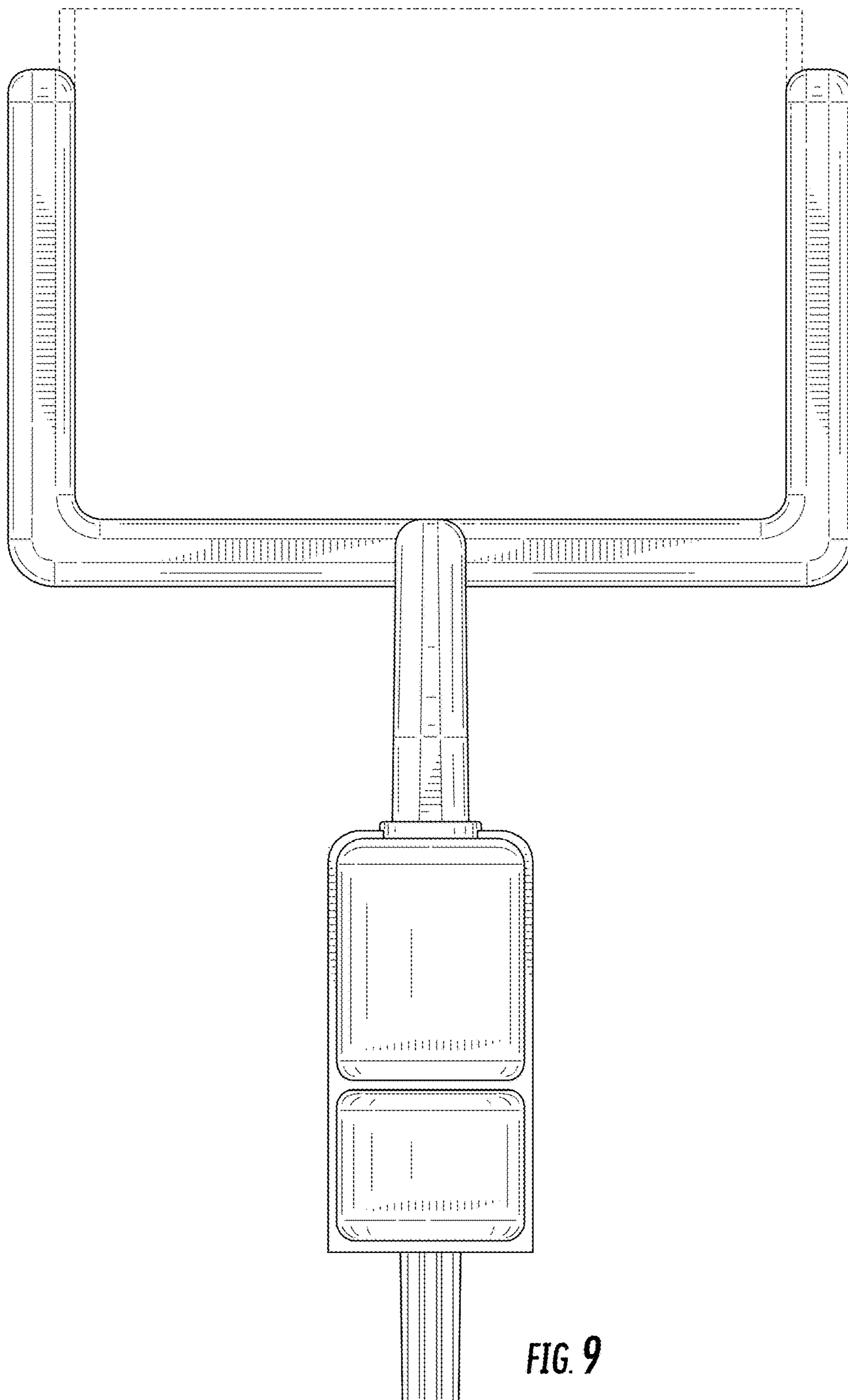


FIG. 9

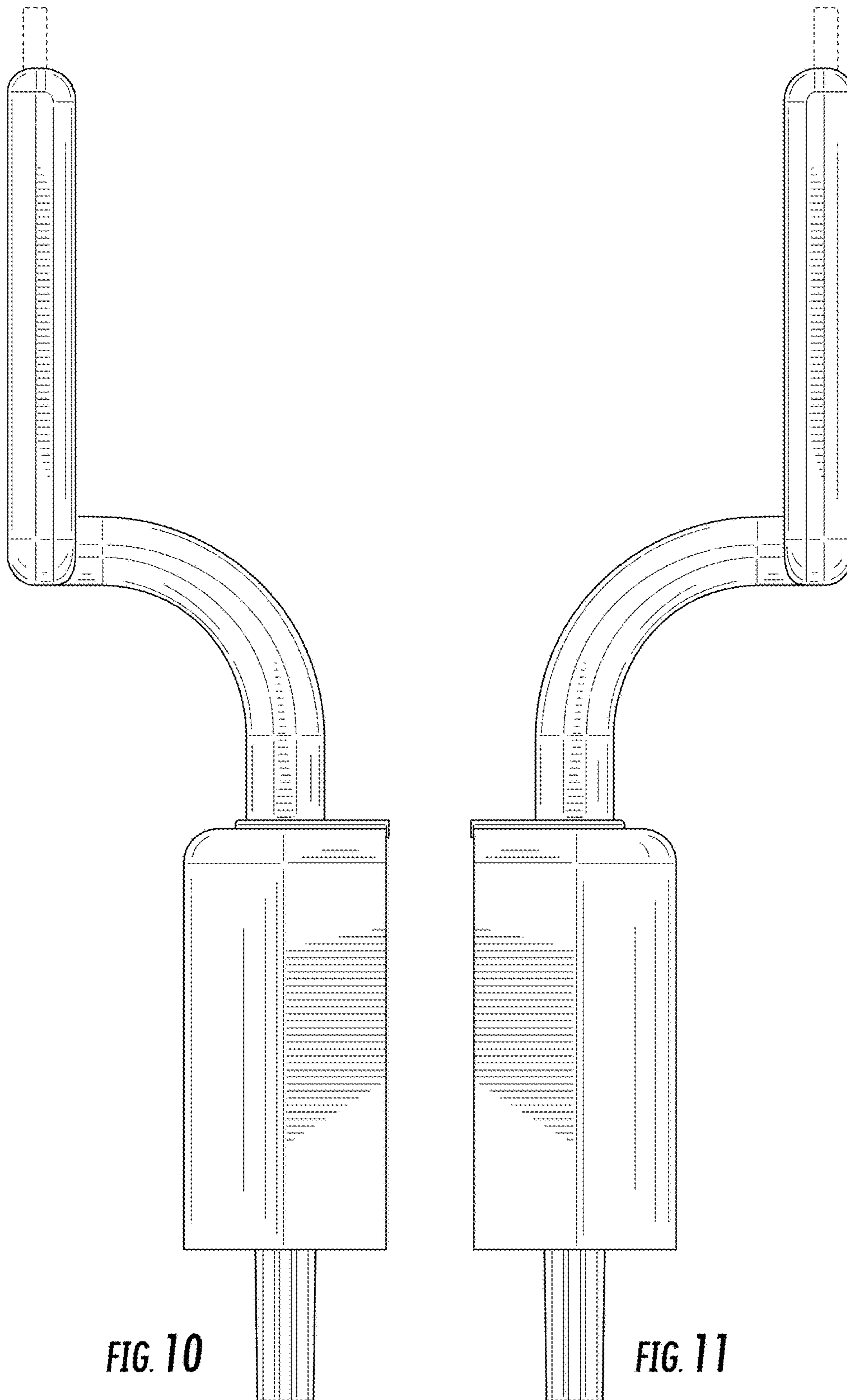


FIG. 10

FIG. 11

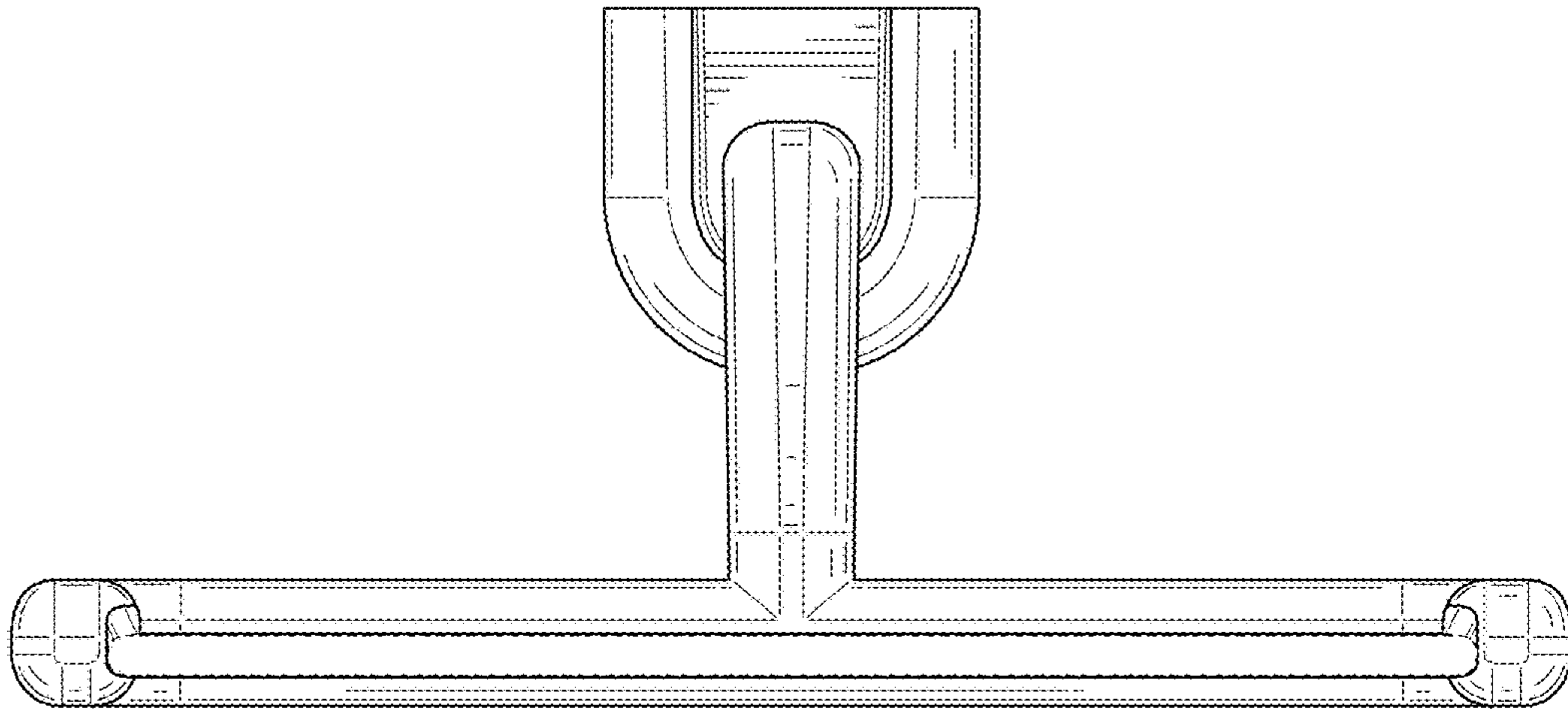


FIG. 12

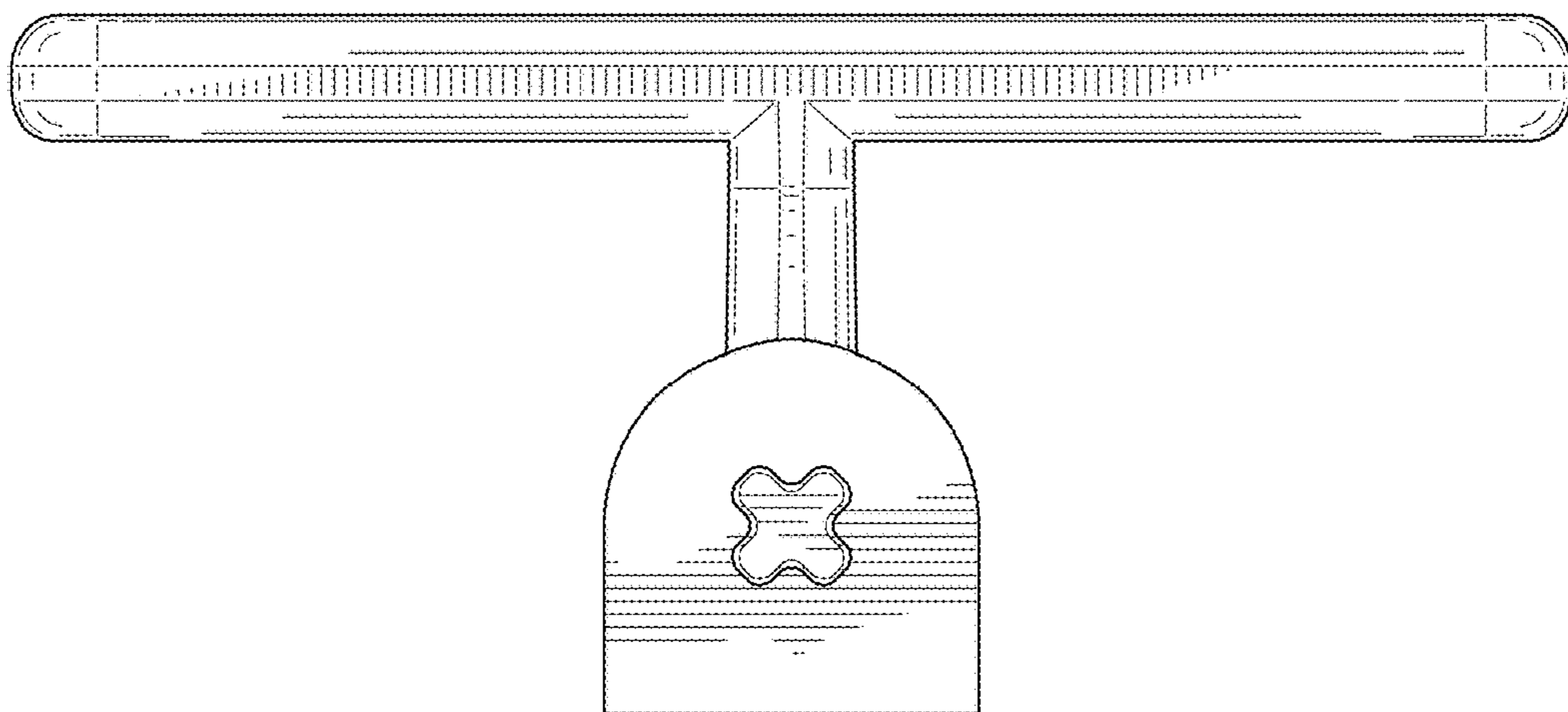


FIG. 13

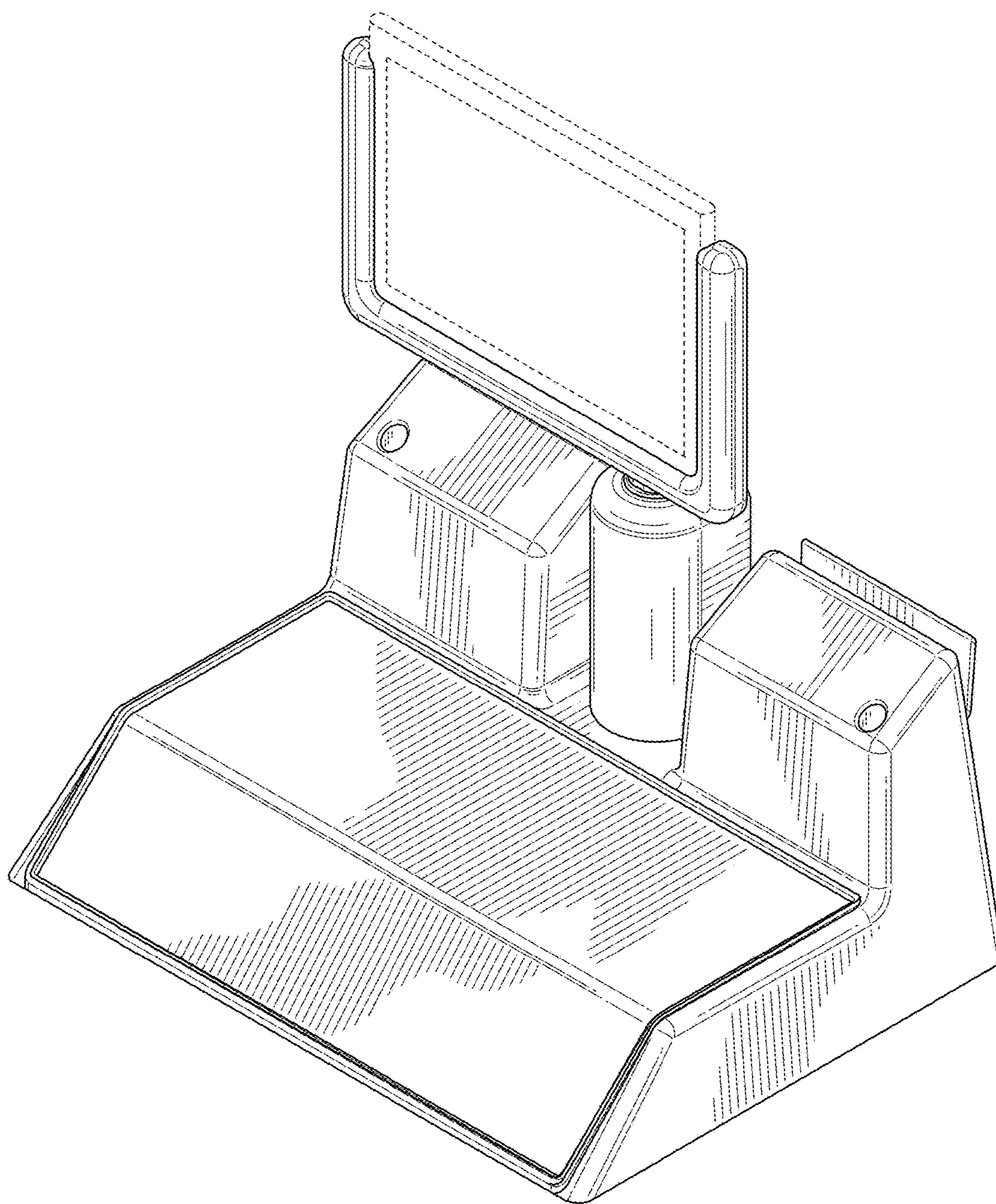


FIG. 14

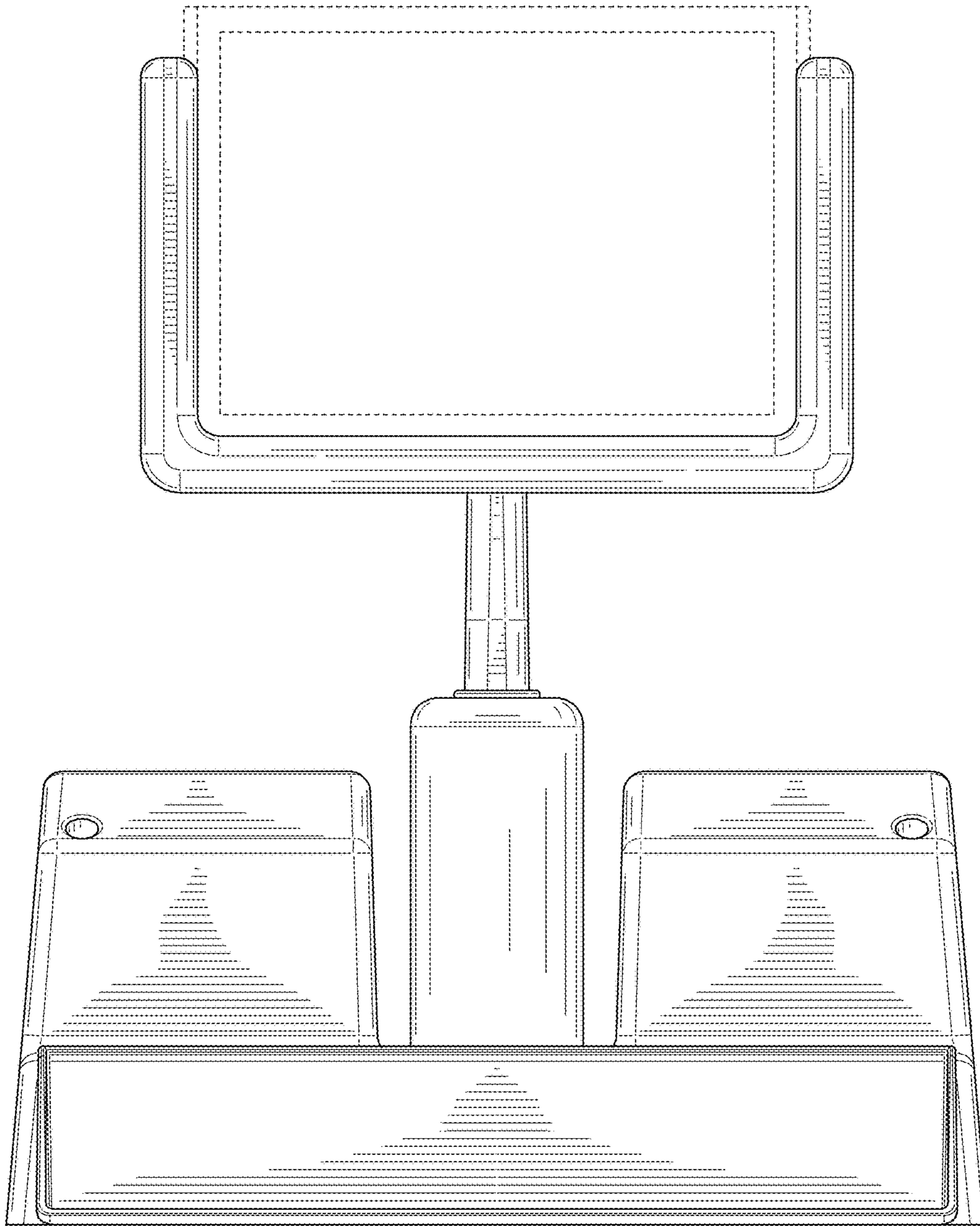


FIG. 15

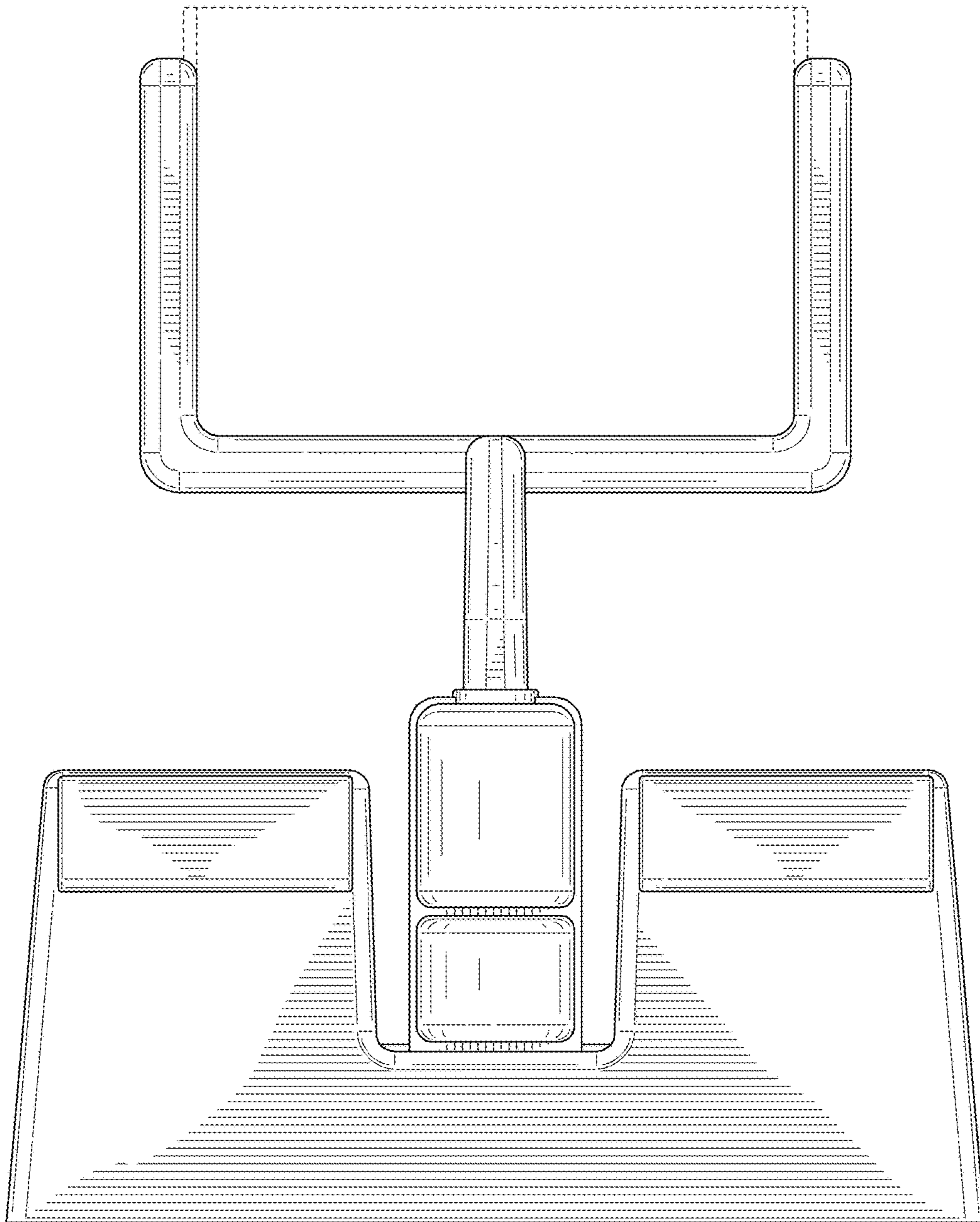


FIG. 16

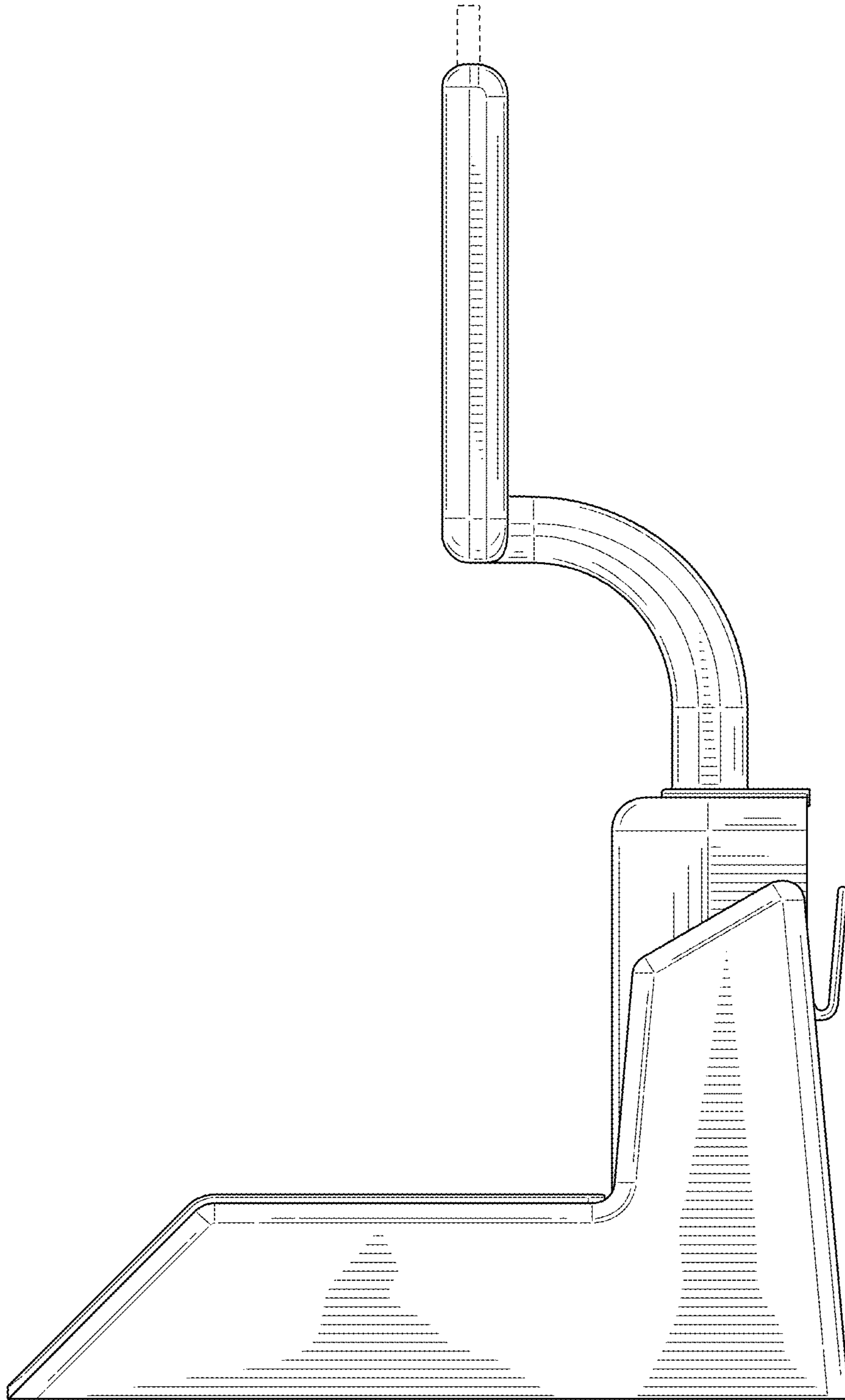


FIG. 17

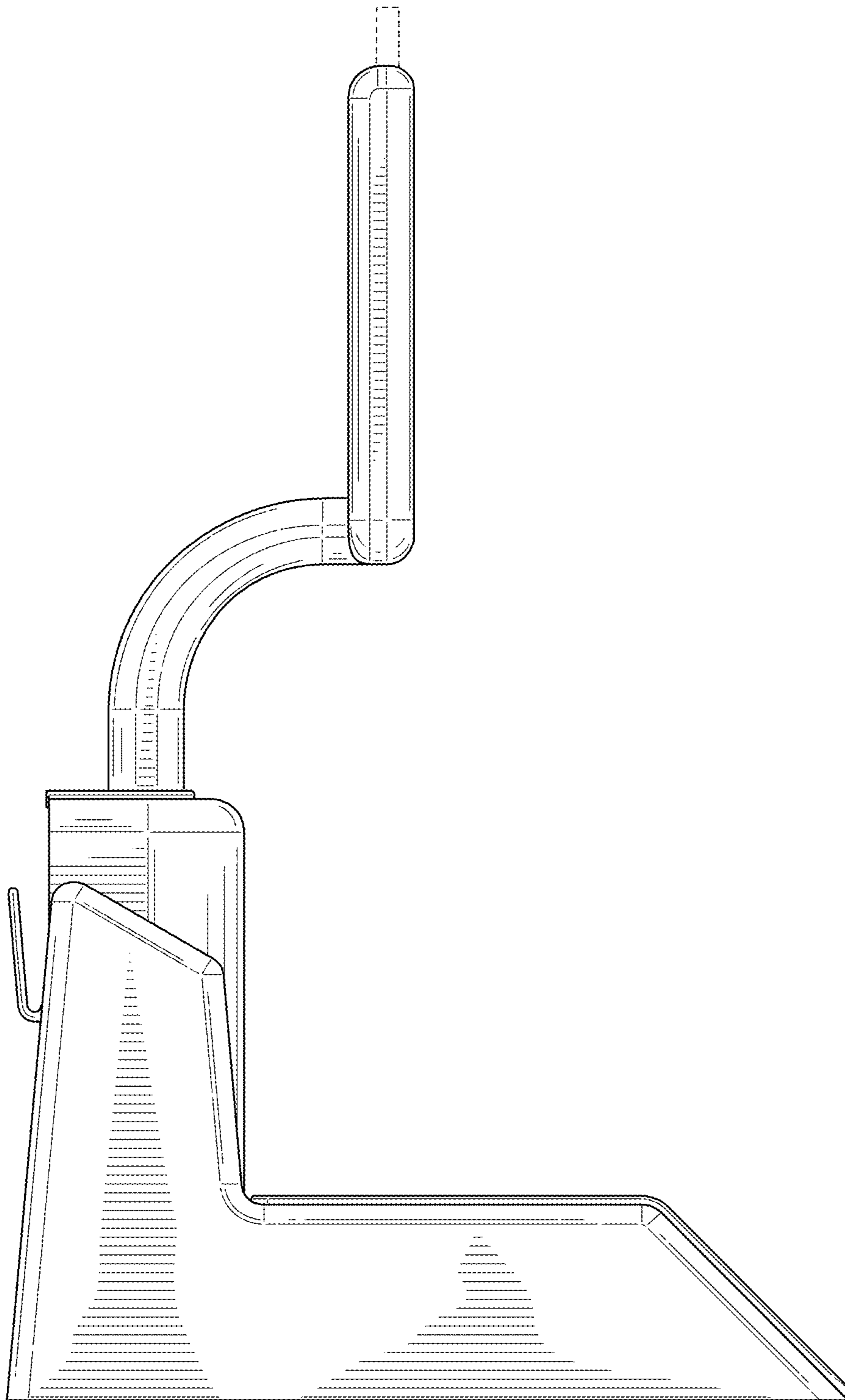


FIG. 18

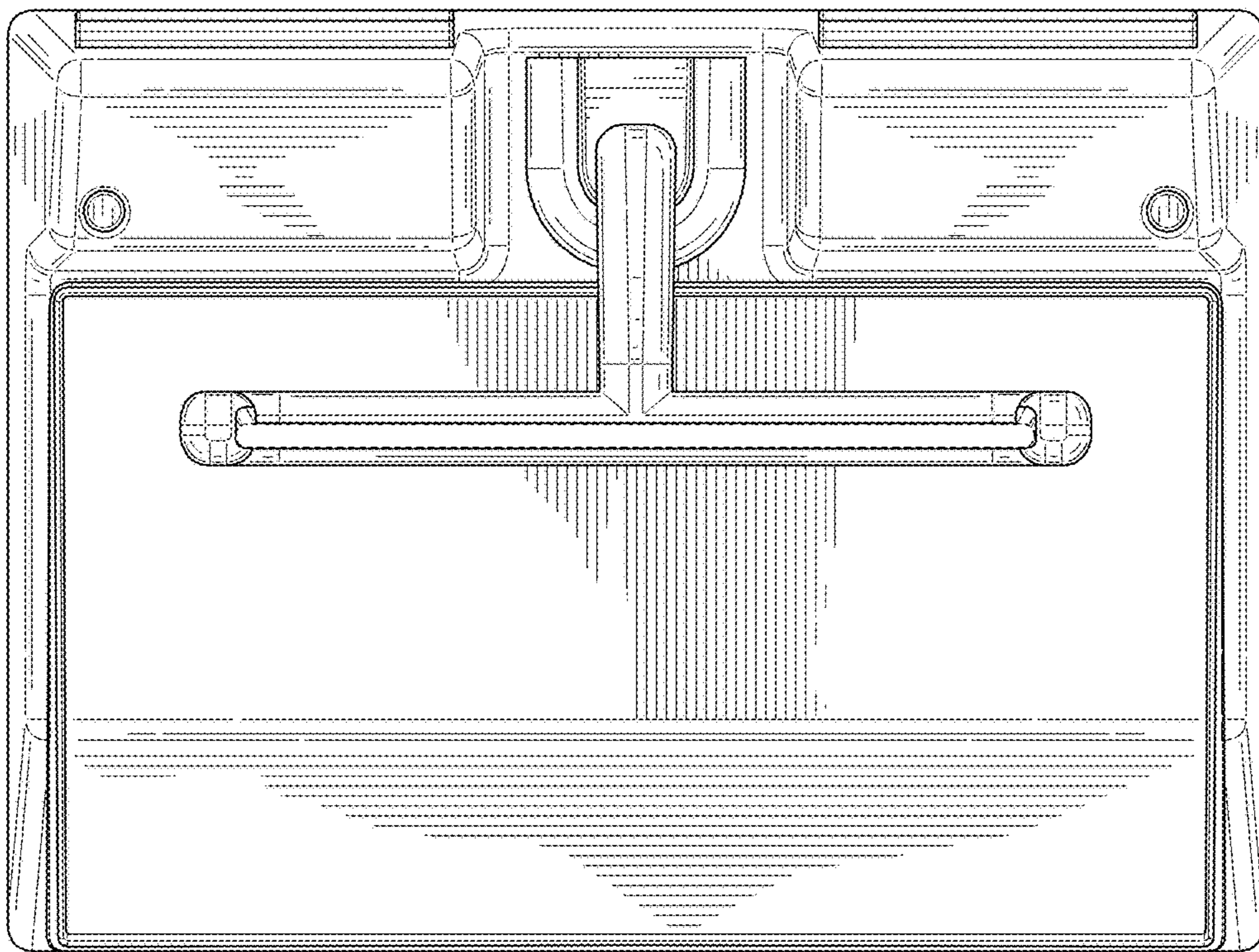


FIG. 19