



US00D785951S

(12) **United States Design Patent** (10) **Patent No.:** **US D785,951 S**
Rosenzweig (45) **Date of Patent:** **** May 9, 2017**

- (54) **BRUSH HOLDER**
- (71) Applicant: **J & D Brush Co., LLC**, Hauppauge, NY (US)
- (72) Inventor: **Jeffrey S. Rosenzweig**, Hauppauge, NY (US)
- (73) Assignee: **J & D Brush Co., LLC**, Hauppauge, NY (US)
- (**) Term: **15 Years**
- (21) Appl. No.: **29/553,144**
- (22) Filed: **Jan. 28, 2016**
- (51) **LOC (10) Cl.** **04-99**
- (52) **U.S. Cl.**
USPC **D4/199**
- (58) **Field of Classification Search**
USPC D3/228, 269, 300; D4/199; D9/702, D9/711, 712; 15/246, 247; 150/161; 206/15.3, 284, 361, 362.2, 362.3, 362.4; 428/34.3
CPC .. A46B 17/04; A46B 2200/202; B65D 25/105
See application file for complete search history.

D511,412 S *	11/2005	Madrid	D3/228
D531,816 S *	11/2006	Tuman	D4/199
D558,983 S *	1/2008	Phillips	D4/199
D560,366 S *	1/2008	Phillips	D4/199
D572,907 S *	7/2008	Byrne	D4/199
D595,510 S *	7/2009	Choi	D4/199
D611,713 S *	3/2010	Marino	D4/199
D661,907 S *	6/2012	Birkland	D4/199
D727,034 S *	4/2015	Lewis	D4/199
D762,316 S *	7/2016	Cox	D26/37

* cited by examiner

Primary Examiner — Austin Murphy
(74) *Attorney, Agent, or Firm* — Gloria Tsui-Yip, Esq.; Miskin & Tsui-Yip LLP

(57) **CLAIM**

The ornamental design for a brush holder, as shown and described.

DESCRIPTION

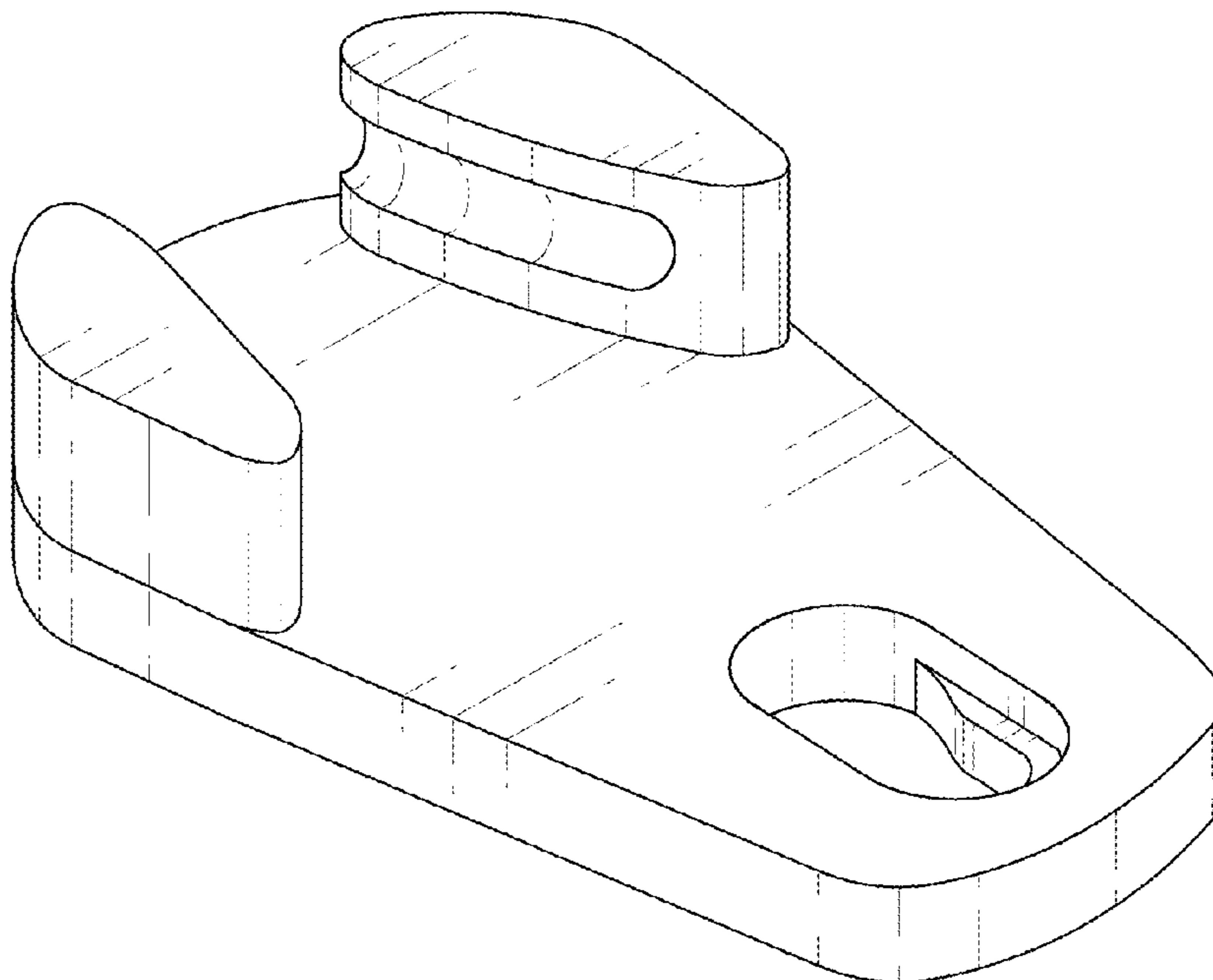
FIG. 1 is a front elevational view of my new design; FIG. 2 is a rear elevational view thereof; FIG. 3 is a left side view thereof; FIG. 4 is a right side view thereof; FIG. 5 is a bottom plan view thereof; FIG. 6 is a top plan view thereof; FIG. 7 is a perspective view thereof; FIG. 8 is another perspective view thereof; FIG. 9 is the same perspective view as FIG. 7 showing a suction cup in broken lines; and, FIG. 10 is the same perspective view as FIG. 8 showing the suction cup and brush in broken lines. The broken line showing of a suction cup and a brush in FIGS. 9 and 10 illustrate environmental matters which form no part of the claimed design.

1 Claim, 7 Drawing Sheets

(56) **References Cited**

U.S. PATENT DOCUMENTS

D394,158 S *	5/1998	Kramer	D4/113
D401,765 S *	12/1998	Soutullo	D4/199
D425,708 S *	5/2000	Drees	D4/199
D436,450 S *	1/2001	Wilson	D4/199
D457,732 S *	5/2002	Ray	D4/199
D491,730 S *	6/2004	Goulet	D4/199
D503,282 S *	3/2005	Murphy	D4/199
D510,813 S *	10/2005	Gilman	D3/228



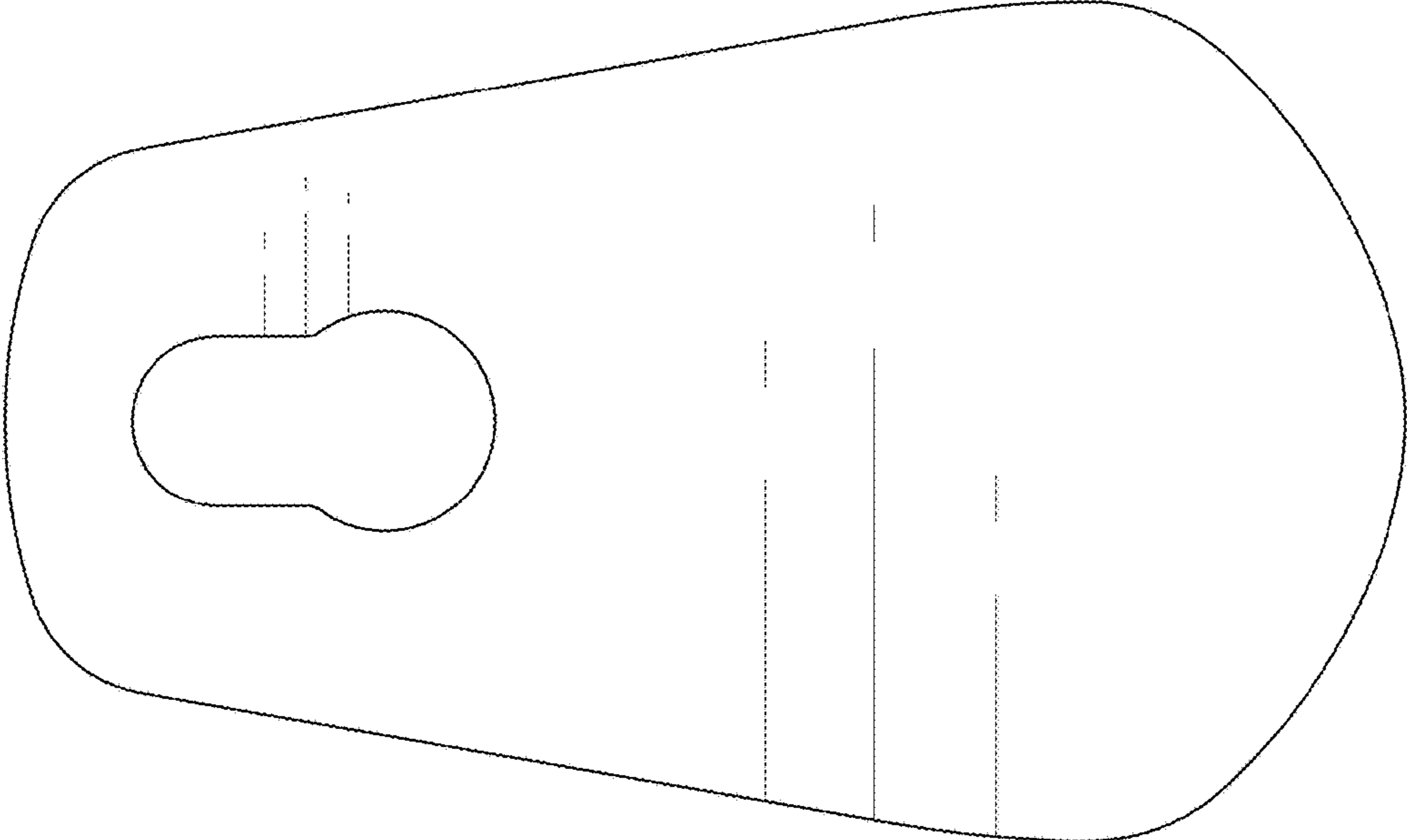


FIG. 1

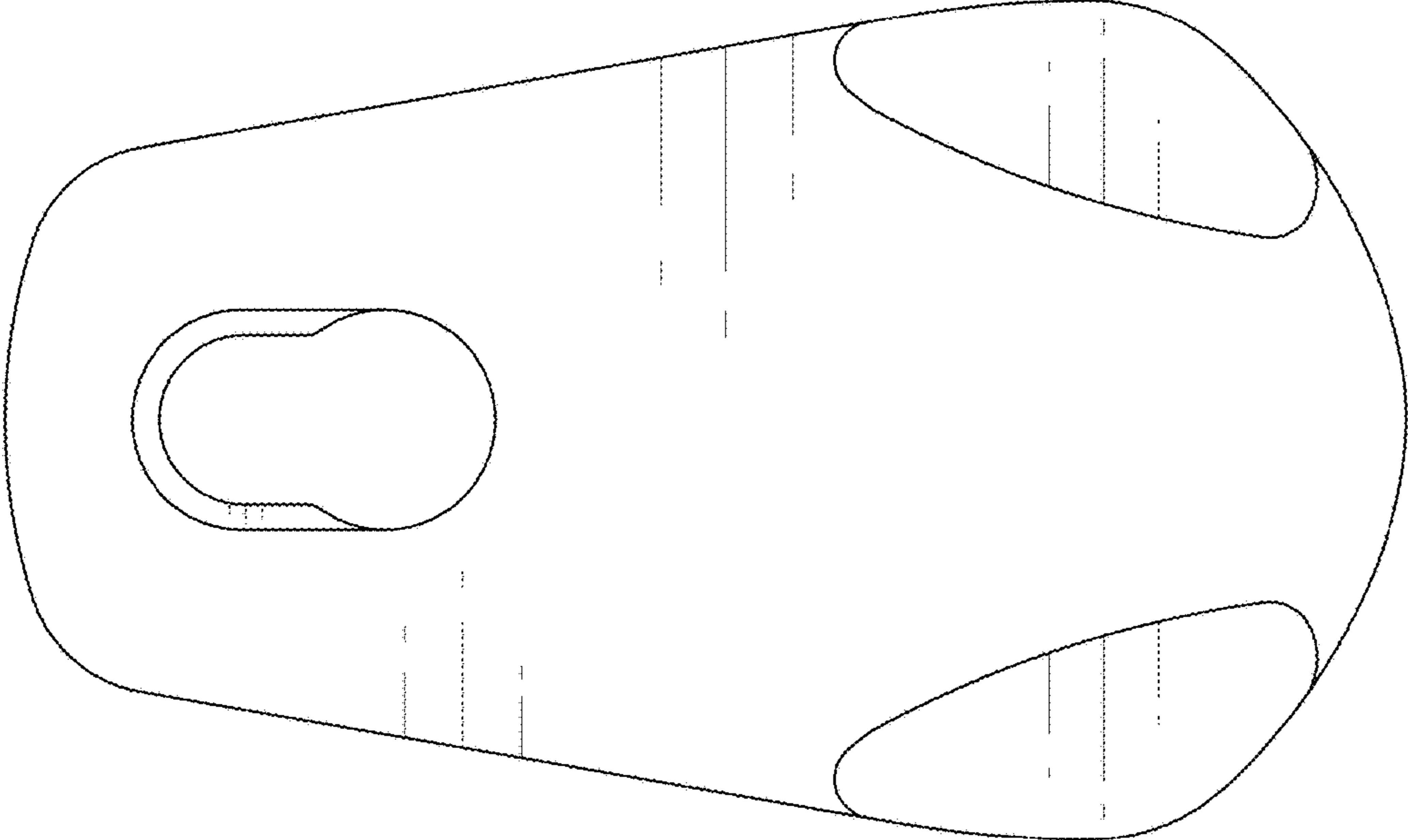


FIG. 2

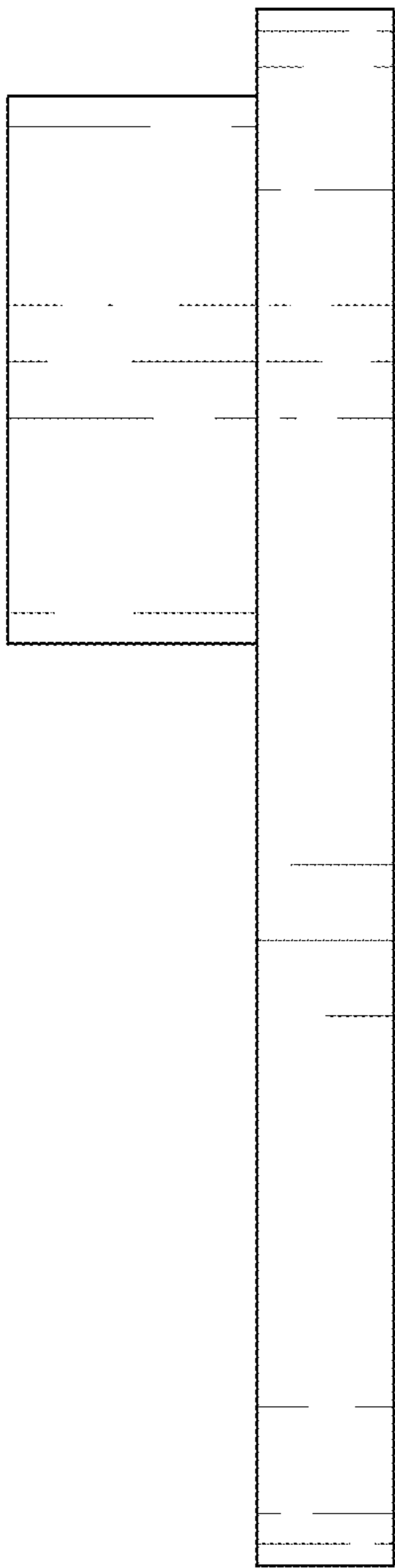


FIG. 3

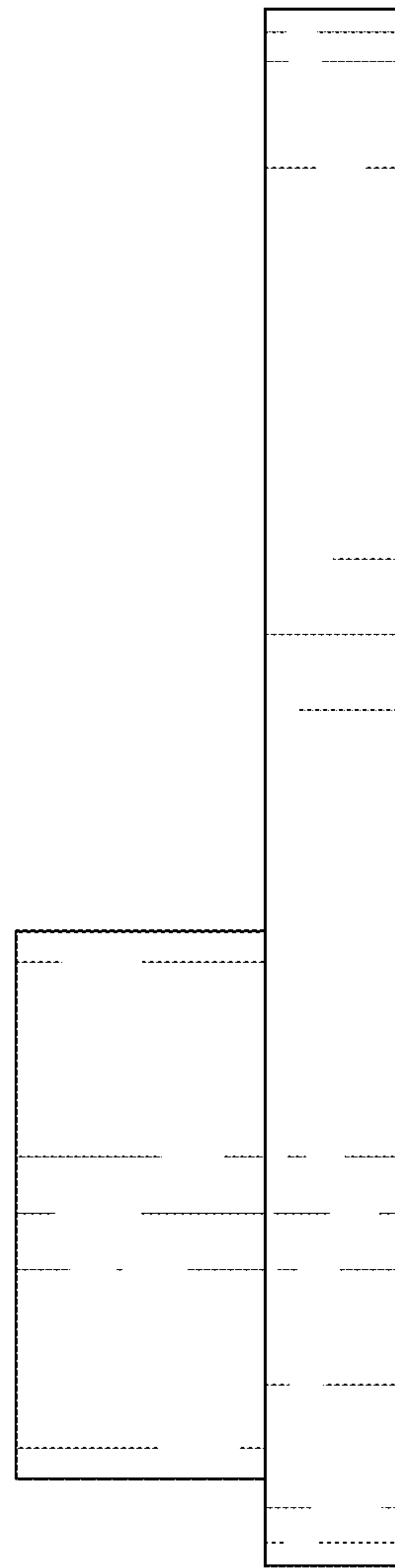


FIG. 4

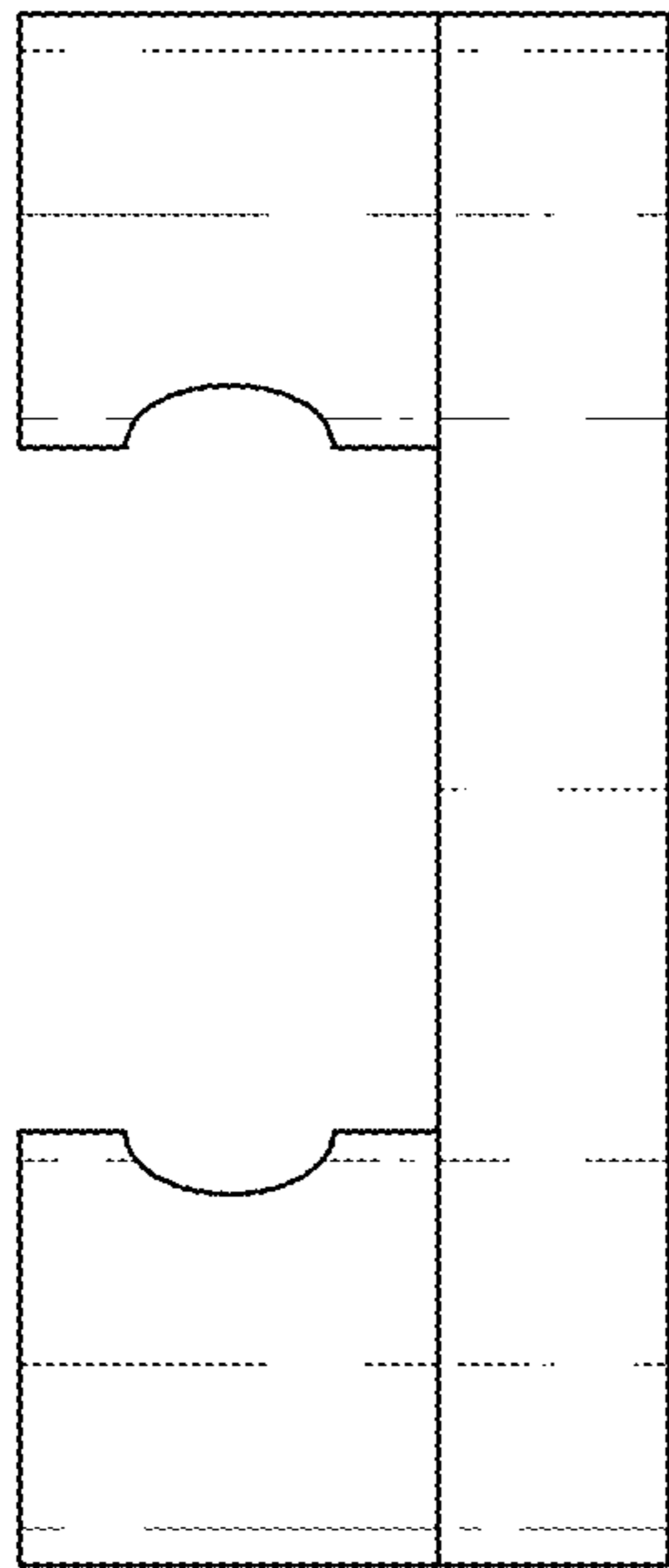


FIG. 5



FIG. 6

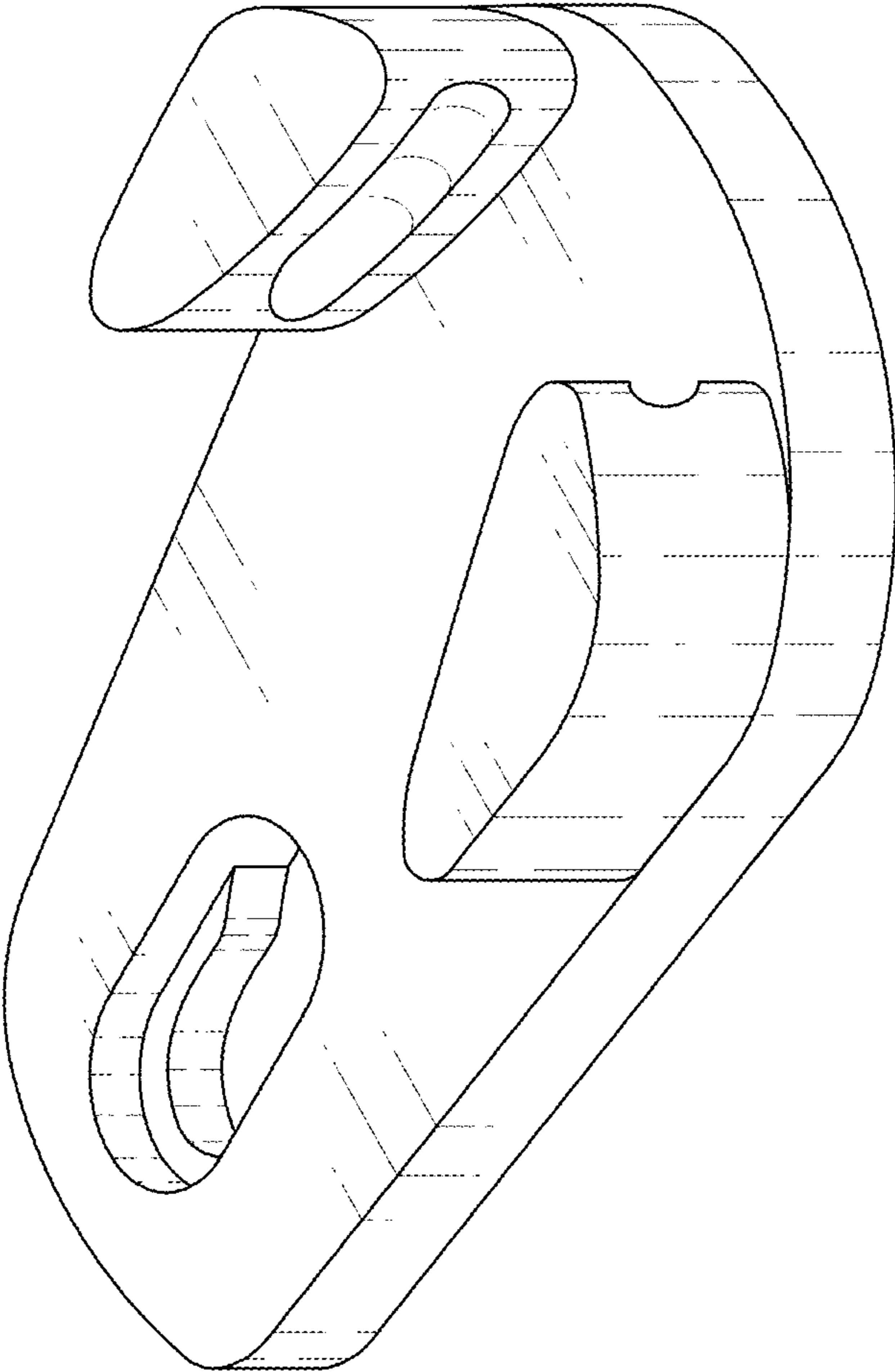


FIG. 7

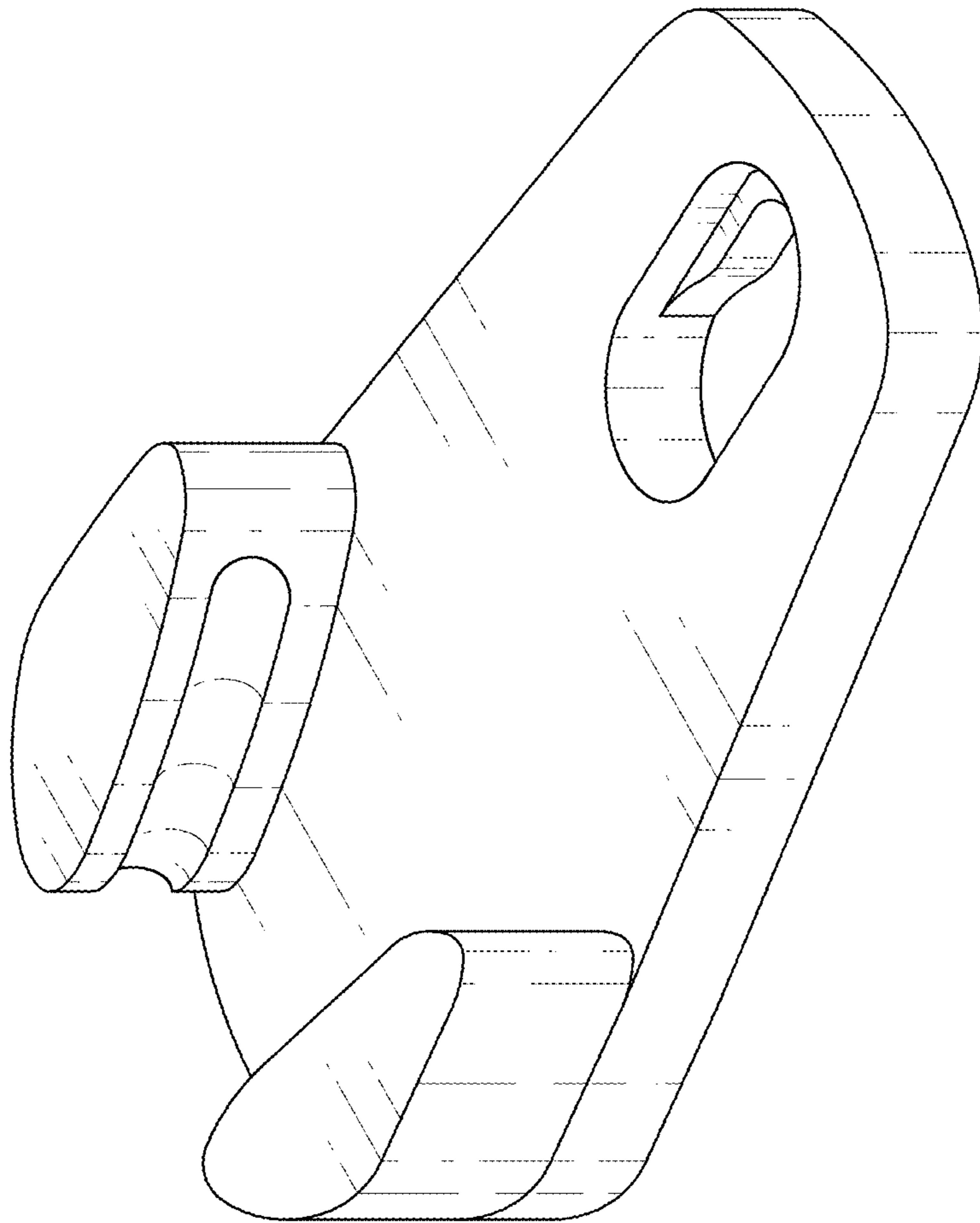


FIG. 8

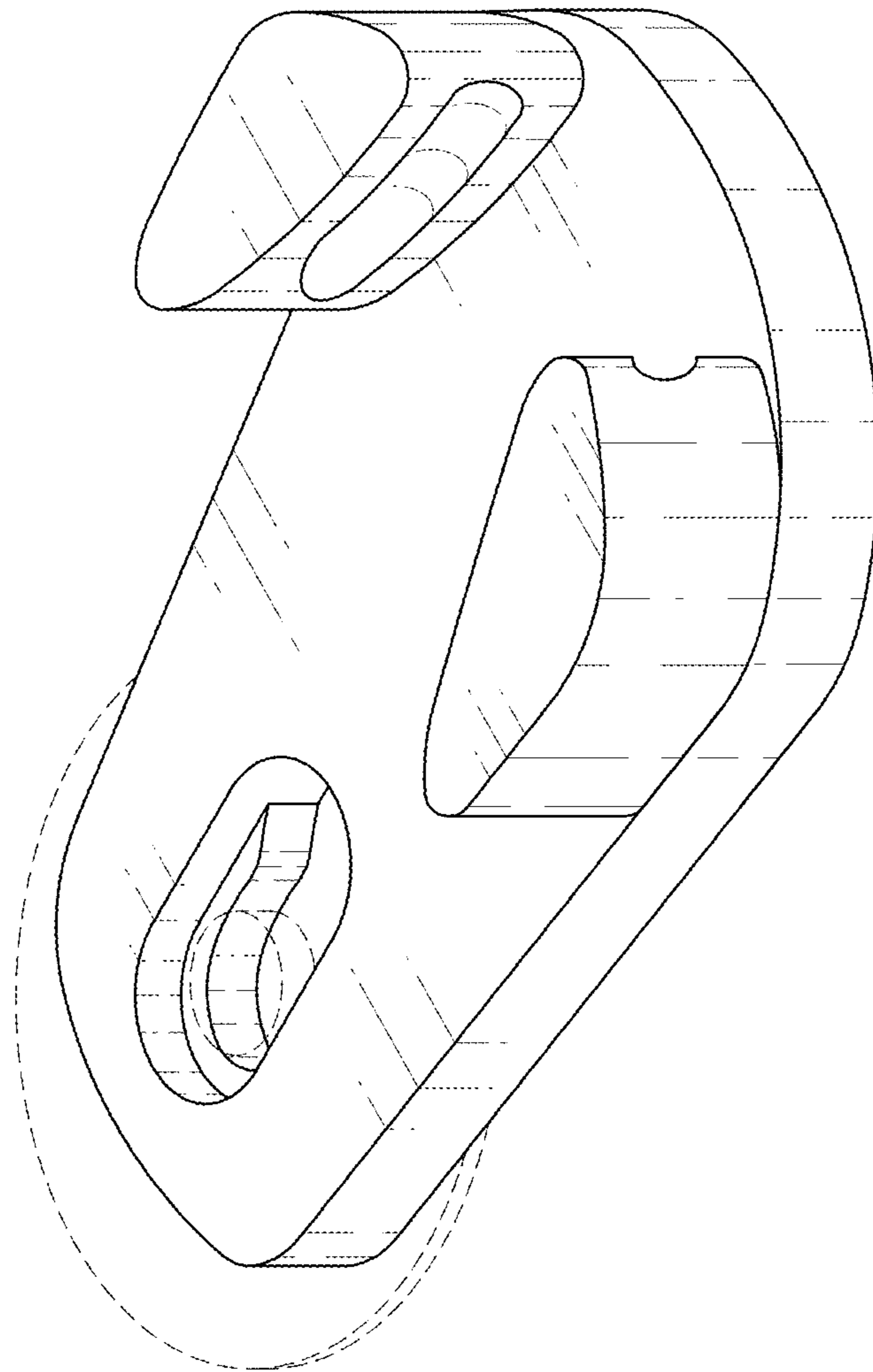


FIG. 9

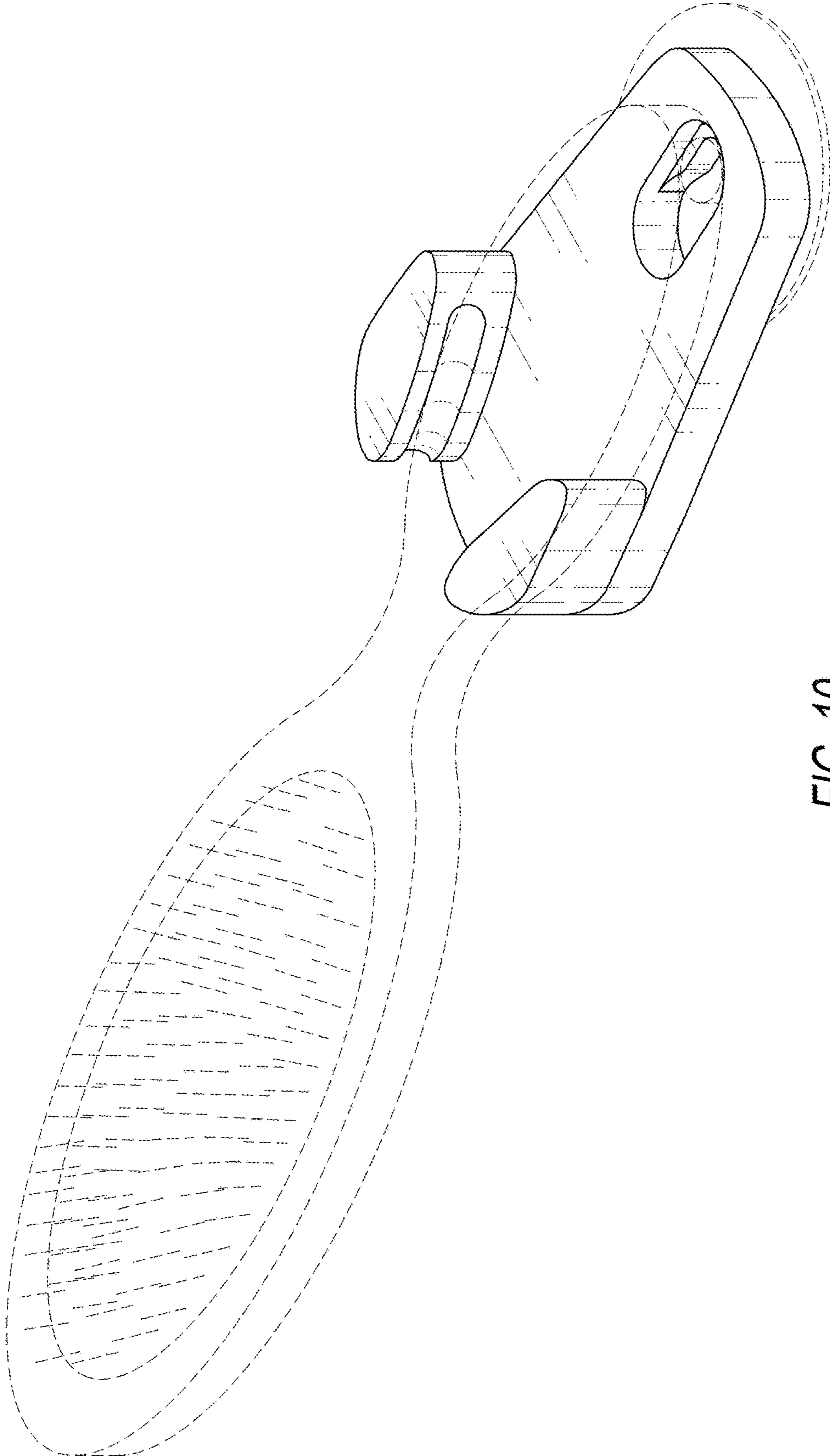


FIG. 10