



US00D785949S

(12) **United States Design Patent** (10) **Patent No.:** **US D785,949 S**  
**Brown** (45) **Date of Patent:** **\*\* May 9, 2017**

(54) **WATER REMOVING HAIR BRUSH**

(71) Applicant: **Goody Products, Inc.**, Atlanta, GA (US)

(72) Inventor: **Roberta Celeste Brown**, Kalamazoo, MI (US)

(73) Assignee: **GOODY PRODUCTS, INC.**, Atlanta, GA (US)

(\*\*) Term: **15 Years**

(21) Appl. No.: **29/569,819**

(22) Filed: **Jun. 30, 2016**

**Related U.S. Application Data**

(60) Division of application No. 29/497,158, filed on Jul. 21, 2014, now Pat. No. Des. 763,580, which is a (Continued)

(51) **LOC (10) Cl.** ..... **04-02**

(52) **U.S. Cl.**  
USPC ..... **D4/136**

(58) **Field of Classification Search**

USPC ..... D4/100, 102, 117, 130-136, 138; 15/21.1, 143.1, 145, 159.1, 160, 186-188; 132/120, 142, 313; D8/80, 83, 94, 107, D8/300  
CPC ..... A45D 24/14; A45D 24/16; A46B 3/005; A46B 5/00; A46B 5/02; A46B 5/021; A46B 9/02; A46B 9/021; A46B 9/023; A46B 13/001; A46B 13/008; A46B 15/0055; A46B 15/0081; A46B 15/0087; A46B 17/02; A46B 2200/30; A46B 2200/104; A46B 2200/106; A46B 2200/202; A46B

(Continued)

(56) **References Cited**

**U.S. PATENT DOCUMENTS**

633,457 A 9/1899 Hotze  
756,222 A 4/1904 Evans

(Continued)

**FOREIGN PATENT DOCUMENTS**

EP 0461553 A1 12/1991  
EP 0497080 A1 8/1992

(Continued)

**OTHER PUBLICATIONS**

EM 1314322-00001 Registered Design, (Calor) Feb. 20, 2012, [online], [retrieved on Jul. 24, 2013] Retrieved from the community Design Database of the Office for Harmonization in the Internal Market using the Internet: URL: <http://oami.europa.eu>.

*Primary Examiner* — Keli L Hill

(74) *Attorney, Agent, or Firm* — Eversheds Sutherland (US) LLP

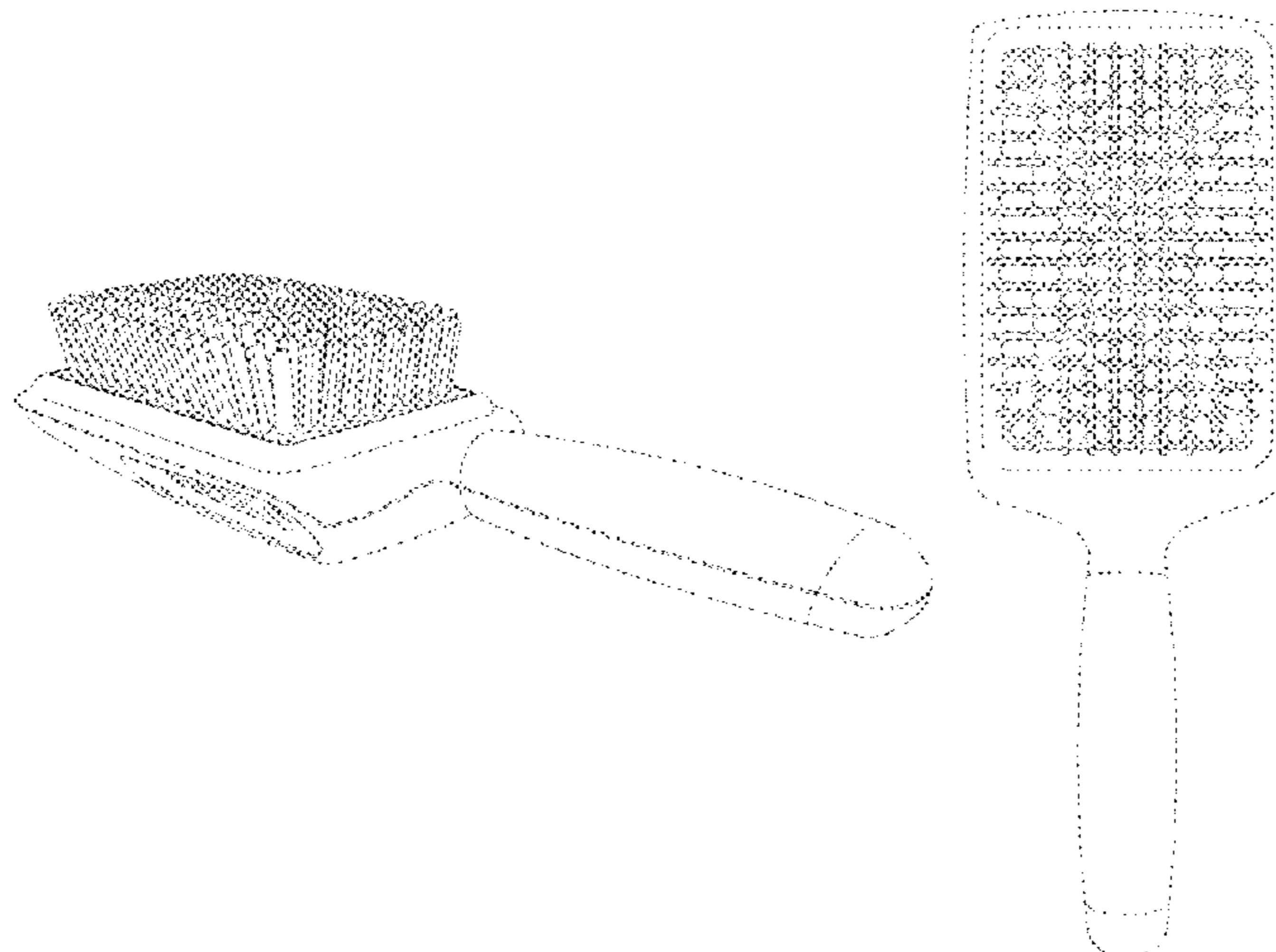
(57) **CLAIM**

The ornamental design for a “water removing hair brush,” as shown and described.

**DESCRIPTION**

FIG. 1 is a front, right side, and bottom perspective view of my new design for a hair brush.  
FIG. 2 is a front view of the hair brush shown in FIG. 1.  
FIG. 3 is a rear view of the hair brush shown in FIG. 1.  
FIG. 4 is right side view of the hair brush shown in FIG. 1, the left side view being a mirror image thereof.  
FIG. 5 is a top view of the hair brush shown in FIG. 1.  
FIG. 6 is a bottom view of the hair brush shown in FIG. 1; and,  
FIG. 7 is a right side view of another embodiment of my new design for a hair brush, the hair brush having a modified bristle tip design, and the remaining views for the hair brush of FIG. 7 being the same as the views for the hair brush of FIGS. 1-6 but for the modified bristle tip design.  
The broken lines shown represent unclaimed subject matter and form no part of the claimed design.

**1 Claim, 5 Drawing Sheets**



**Related U.S. Application Data**

continuation-in-part of application No. 29/440,967, filed on Dec. 28, 2012, now Pat. No. Des. 709,291, which is a continuation-in-part of application No. 13/341,794, filed on Dec. 30, 2011, now Pat. No. 8,627,829.

(58) **Field of Classification Search**

CPC .. 2200/205; A46B 2200/207; A46B 2200/304; A46B 2200/1006; A46B 2200/1046; A46B 2200/1053; A46B 2200/3006; A46B 2200/3033; A46B 2200/3093

See application file for complete search history.

(56) **References Cited**

U.S. PATENT DOCUMENTS

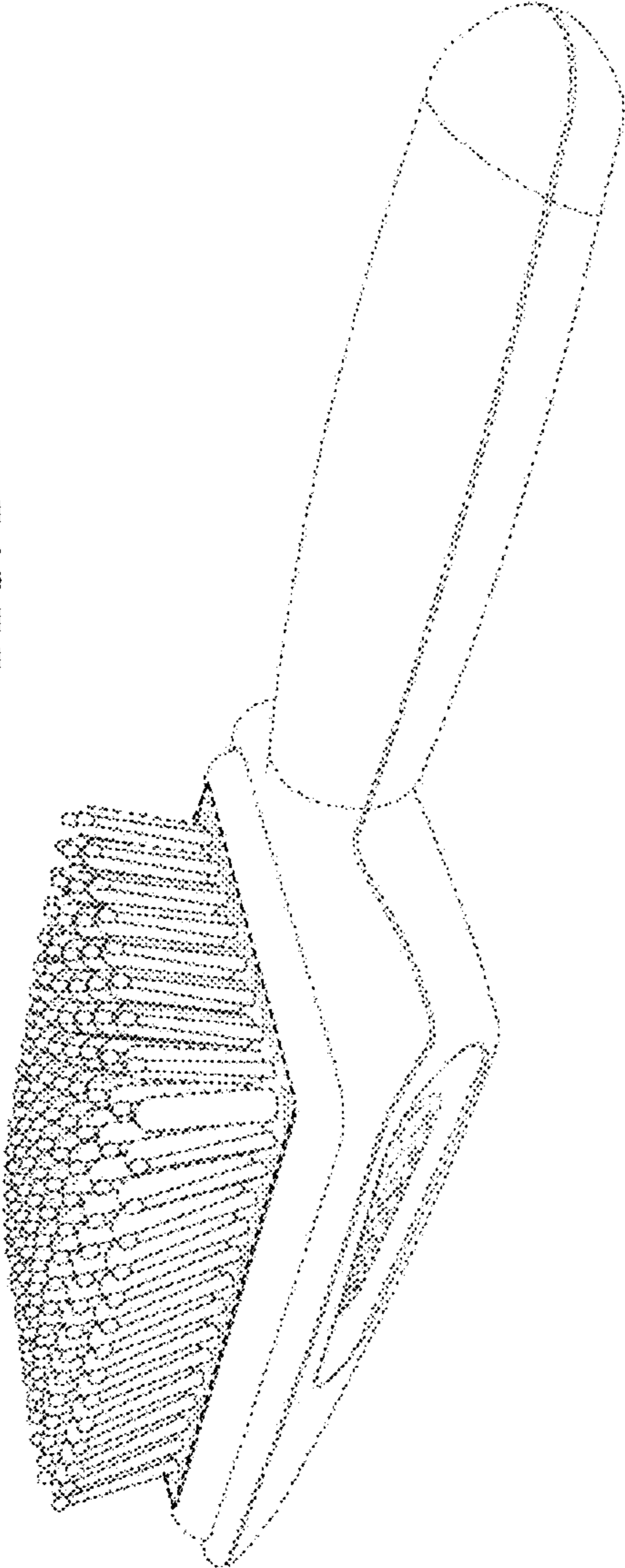
D807,127	12/1905	Powers
1,039,982 A	10/1912	Maley
1,794,754 A	3/1931	Burkhart
1,833,293 A	11/1931	Laguionie
D115,967 S	8/1939	Muller-Munk
2,343,782 A	3/1944	Lotters
D165,514 S	12/1951	Cosby
2,674,758 A	4/1954	Fay
2,699,173 A	1/1955	Grace
2,946,074 A	7/1960	Caldwell
D190,319 S	5/1961	Vallis
D199,176 S	9/1964	Seger
3,199,139 A	8/1965	Vallis
3,459,199 A	8/1969	Connell
4,076,032 A	2/1978	Misercola
4,226,251 A	10/1980	Wall
4,420,853 A	12/1983	Gilman et al.
4,421,129 A	12/1983	Wingard
4,423,531 A	1/1984	Wall
4,500,939 A	2/1985	Gueret
4,566,473 A	1/1986	Hyman
4,619,012 A	10/1986	Wachtel
4,830,674 A	5/1989	Kaufman
4,837,079 A	6/1989	Quantrille et al.
4,856,541 A	8/1989	Kellett et al.
4,932,425 A	6/1990	Chen
4,988,228 A	1/1991	Yeh
5,002,075 A	3/1991	Kellett et al.
5,017,036 A	5/1991	Vidovic
5,062,435 A	11/1991	Ohtsuka
5,077,914 A	1/1992	Yamamoto
5,148,571 A	9/1992	Brazis et al.
5,261,426 A	11/1993	Kellett et al.
5,301,695 A	4/1994	Wong
5,327,611 A	7/1994	Balster et al.
5,343,880 A	9/1994	McKay
D384,058 S	9/1997	Pinon
5,896,614 A	4/1999	Flewitt

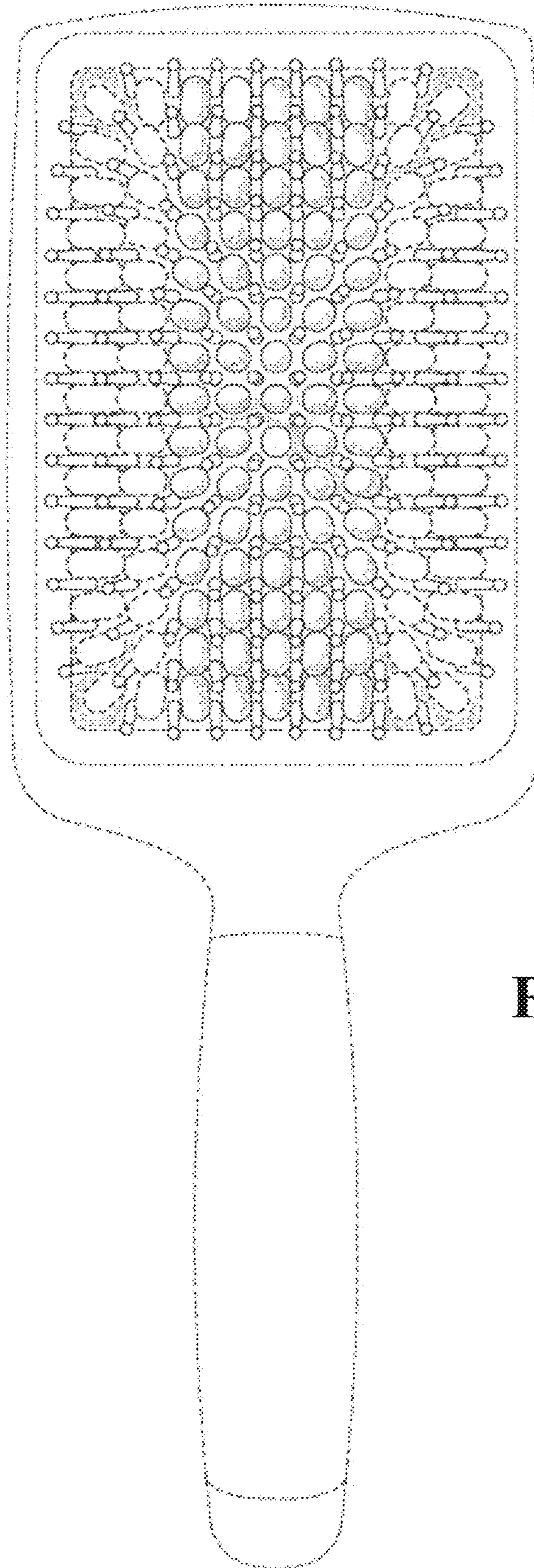
6,158,442 A	12/2000	Piatetsky
6,276,367 B1	8/2001	Piatetsky
6,692,505 B1	2/2004	Maier et al.
6,810,553 B1	11/2004	Otsuji et al.
6,854,151 B2	2/2005	Wang
6,915,807 B2	7/2005	Choi
6,928,688 B2	8/2005	Nam
D513,883 S	1/2006	Kampel et al.
7,069,615 B2	7/2006	Gavney, Jr. et al.
7,195,814 B2	3/2007	Ista et al.
7,198,048 B2	4/2007	Johnson
7,198,050 B2	4/2007	Gopou et al.
7,310,849 B2	12/2007	White et al.
7,322,364 B2	1/2008	Hurwitz
7,364,380 B2	4/2008	McKay
7,461,659 B2	12/2008	Glynn, Jr. et al.
7,610,647 B2	11/2009	Morgan et al.
7,694,687 B2	4/2010	Hurwitz
7,845,360 B2	12/2010	Walters et al.
8,042,216 B2	10/2011	Jochim et al.
8,056,568 B2	11/2011	Ruckart
8,141,194 B2	3/2012	Gavney, Jr. et al.
D669,690 S	10/2012	Jacob et al.
8,322,307 B2	12/2012	Dionne
8,336,156 B1	12/2012	Shimazu
8,397,336 B2	3/2013	Park
8,495,785 B2	7/2013	Triulzi
8,566,998 B2	10/2013	Gavney, Jr. et al.
8,595,885 B1	12/2013	Weinstein
8,684,619 B2	4/2014	Uchiyama
8,739,353 B2	6/2014	Pisacane et al.
8,763,616 B2	7/2014	Koptis
8,789,231 B2	7/2014	Yuan
9,089,252 B2	7/2015	Tsuchiya et al.
2005/0060829 A1	3/2005	Silvers et al.
2005/0081875 A1	4/2005	Wang
2006/0026783 A1	2/2006	McKay
2008/0052844 A1	3/2008	McKay
2008/0078043 A1	4/2008	McKay
2008/0098546 A1	5/2008	Warmka et al.
2008/0098547 A1	5/2008	McKay
2008/0148504 A1	6/2008	Kuo
2008/0149124 A1	6/2008	McKay
2009/0094772 A1	4/2009	Lee et al.
2011/0119850 A1	5/2011	Mallory et al.
2011/0184499 A1	7/2011	Radi
2012/0042467 A1	2/2012	Mandhai et al.
2012/0110765 A1	5/2012	Lin
2012/0124771 A1	5/2012	Gooden et al.
2014/0245552 A1	9/2014	Sharifi
2015/0135455 A1	5/2015	Reusche et al.

FOREIGN PATENT DOCUMENTS

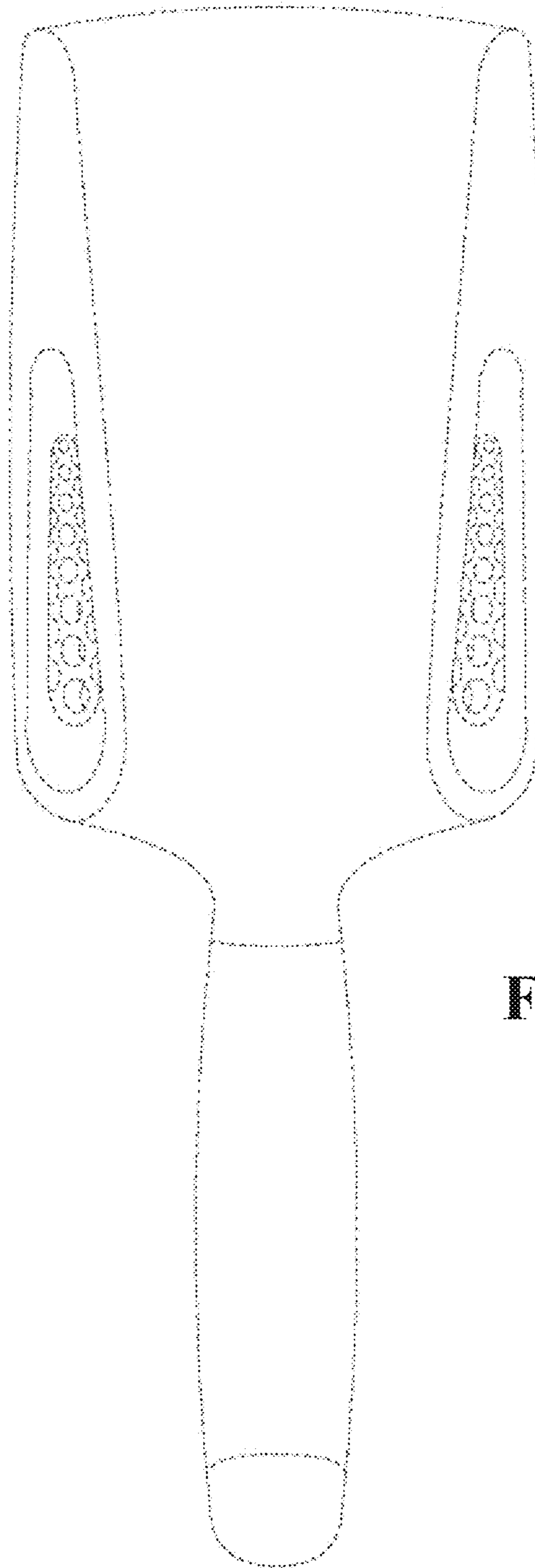
EP	1272068 B1	3/2004
EP	1869992 A1	12/2007
JP	2003329835	11/2003
KR	30025715	2/2000

FIG. 1

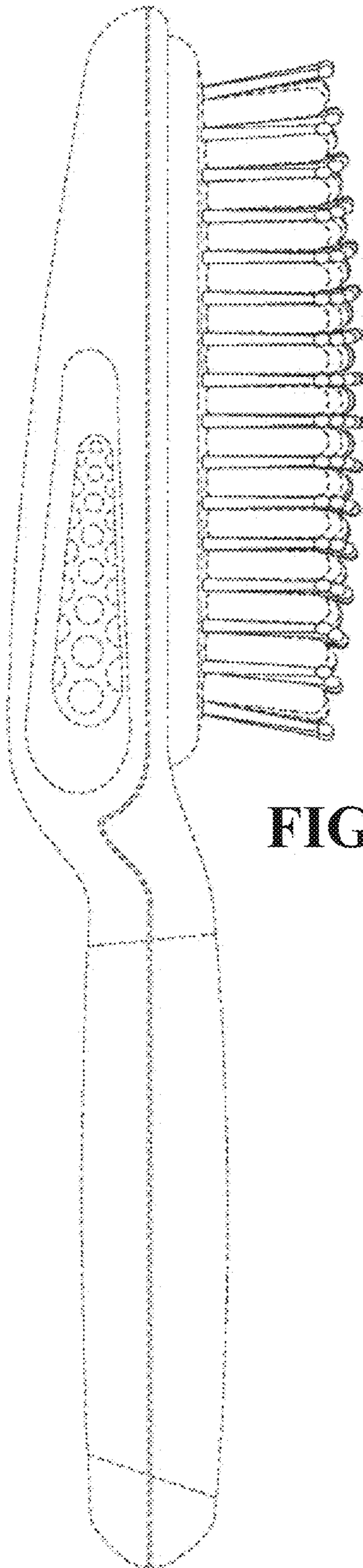




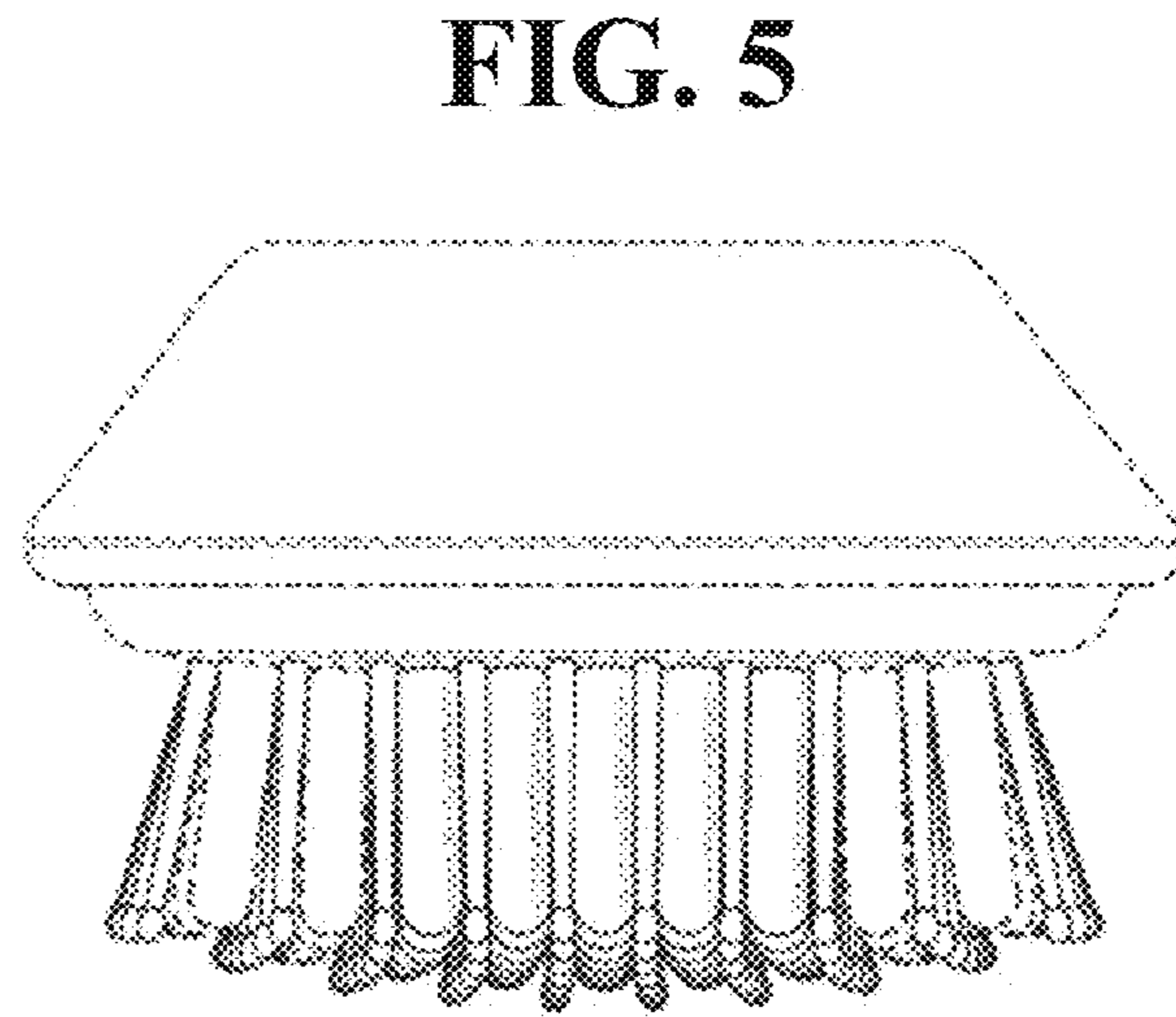
**FIG. 2**



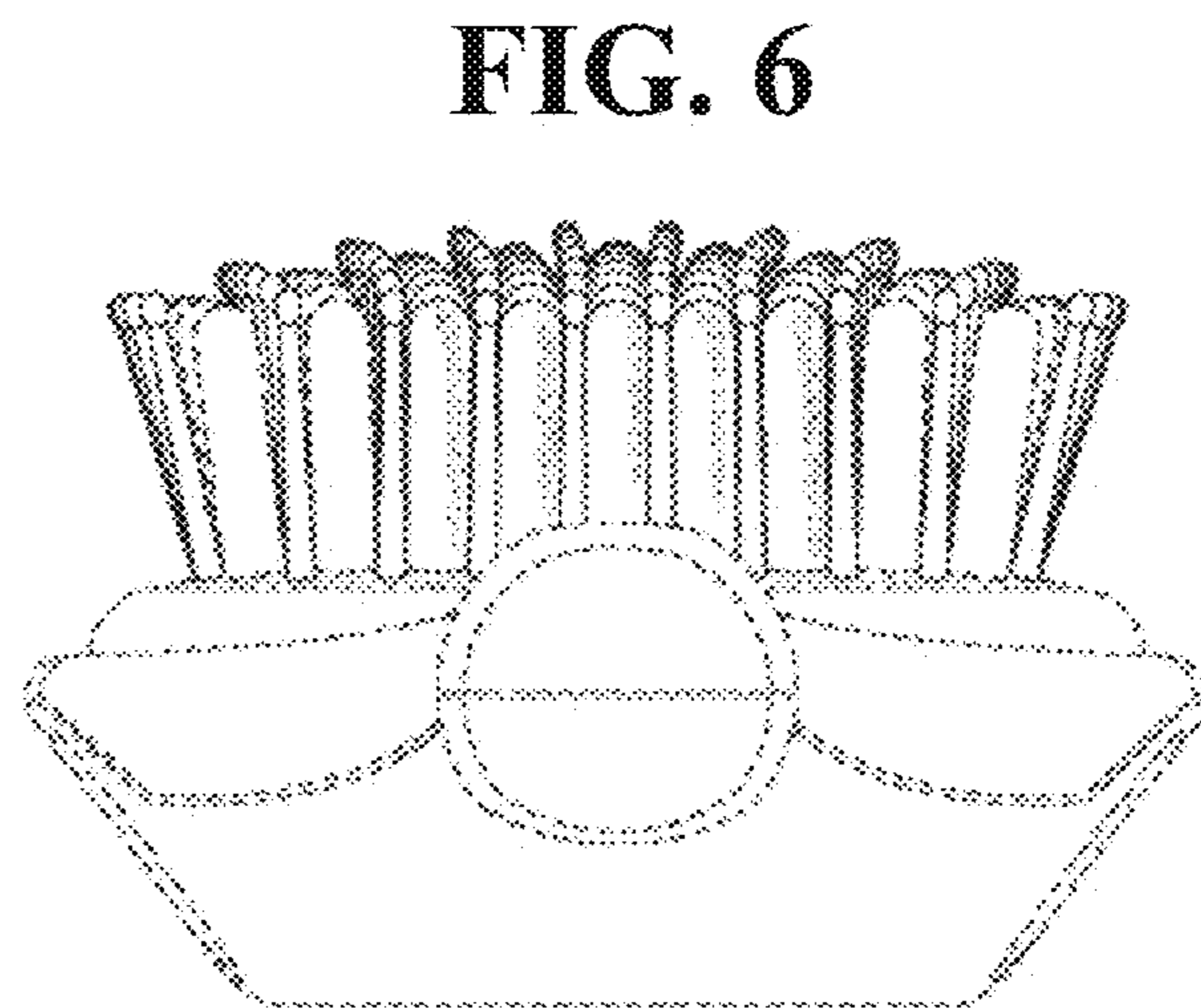
**FIG. 3**



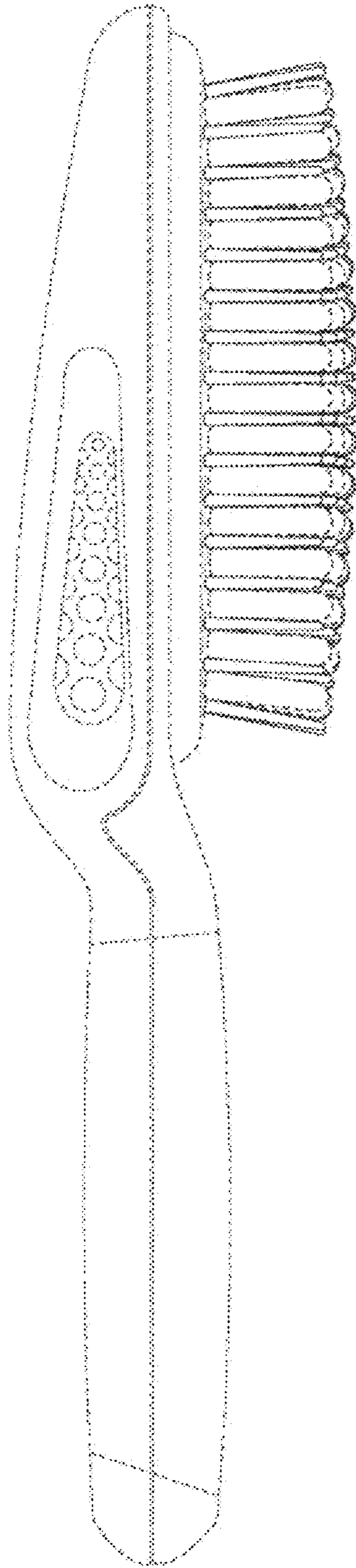
**FIG. 4**



**FIG. 5**



**FIG. 6**



**FIG. 7**