



US00D785943S

(12) **United States Design Patent** (10) **Patent No.:** **US D785,943 S**
Dutil (45) **Date of Patent:** **** May 9, 2017**

- (54) **VEHICLE PAINT TOUCH-UP TAPE KIT**
- (71) Applicant: **Touch Up Tape, LLC**, Culver City, CA (US)
- (72) Inventor: **Daniel Dutil**, Marina Del Rey, CA (US)
- (73) Assignee: **Touch Up Tape, LLC**, Culver City, CA (US)
- (**) Term: **15 Years**
- (21) Appl. No.: **29/548,677**
- (22) Filed: **Dec. 15, 2015**
- (51) **LOC (10) Cl.** **03-02**
- (52) **U.S. Cl.**
USPC **D3/315; D3/205**
- (58) **Field of Classification Search**
USPC D3/205, 206, 315, 316, 202, 273, 281,
D3/285, 294, 295; D7/606
CPC A45C 11/34; A45C 11/36; A45C 11/00;
A45C 3/00; A45C 3/06; A45D 7/04
See application file for complete search history.

- 6,960,040 B2 11/2005 D'Alessio et al.
- D580,061 S * 11/2008 Adams D24/164
- D619,352 S * 7/2010 Antler D3/205
- 7,784,610 B2 8/2010 Mason
- D686,817 S * 7/2013 Dennis D3/206

(Continued)

Primary Examiner — Charles Hanson
(74) *Attorney, Agent, or Firm* — Lance M. Pritikin

(57) **CLAIM**

The ornamental design for a vehicle paint touch-up tape kit, as shown and described.

DESCRIPTION

FIG. 1 is a top-front perspective view of the vehicle paint touch-up tape kit, showing my new design in open configuration;

FIG. 2 is a top-rear perspective view thereof;

FIG. 3 is a bottom-rear perspective view thereof;

FIG. 4 is a right side view thereof;

FIG. 5 is a left side view thereof;

FIG. 6 is a front view thereof;

FIG. 7 is a rear view thereof;

FIG. 8 is a top view thereof;

FIG. 9 is a bottom view thereof;

FIG. 10 is an exploded view thereof;

FIG. 11 is a top-front perspective view of the vehicle paint touch-up tape kit, in closed configuration;

FIG. 12 is a top-rear perspective view thereof;

FIG. 13 is a right side view thereof;

FIG. 14 is a left side view thereof;

FIG. 15 is a front view thereof;

FIG. 16 is a rear view thereof;

FIG. 17 is a top view thereof; and,

FIG. 18 is a bottom view thereof.

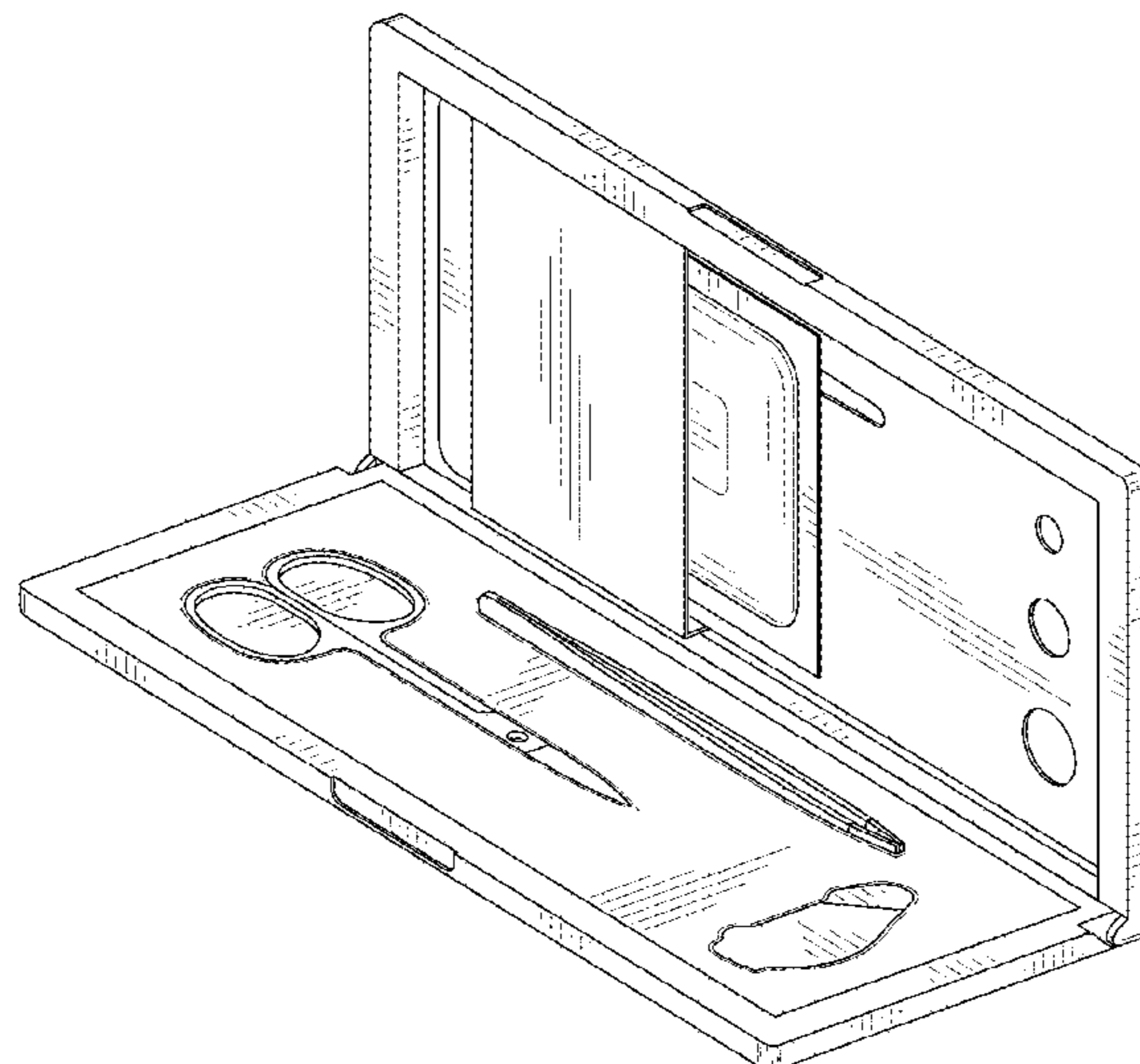
The broken lines are included for illustrative purposes only and form no part of the claimed design.

(56) **References Cited**

U.S. PATENT DOCUMENTS

- 3,481,452 A 12/1969 Pickios
- 4,814,200 A 3/1989 Propst
- D340,353 S * 10/1993 Benarrouch D28/83
- D359,163 S * 6/1995 Summerfield D3/205
- 5,590,785 A * 1/1997 Seitzinger B44D 3/02
206/1.8
- 5,810,024 A * 9/1998 Crites A45D 7/045
132/208
- D401,405 S * 11/1998 Kim D3/201
- D411,767 S * 7/1999 Keller D28/83
- D449,158 S * 10/2001 Banks D3/205
- 6,375,377 B1 4/2002 Lowery
- 6,733,857 B1 5/2004 Tebbe
- 6,779,665 B2 * 8/2004 Bolanos A61B 10/0096
206/459.5
- D508,813 S * 8/2005 Sankey D6/407

1 Claim, 14 Drawing Sheets



(56)

References Cited

U.S. PATENT DOCUMENTS

D692,177 S * 10/2013 Angiolillo D27/189
8,770,209 B2 * 7/2014 Kim A45D 33/26
132/294
D715,051 S * 10/2014 Tung D3/294
D747,878 S * 1/2016 Mach D3/318
2004/0168700 A1 * 9/2004 Dorf A45C 11/008
132/313
2009/0019803 A1 * 1/2009 Chapman E04G 23/0203
52/411
2010/0059167 A1 3/2010 McGuire

* cited by examiner

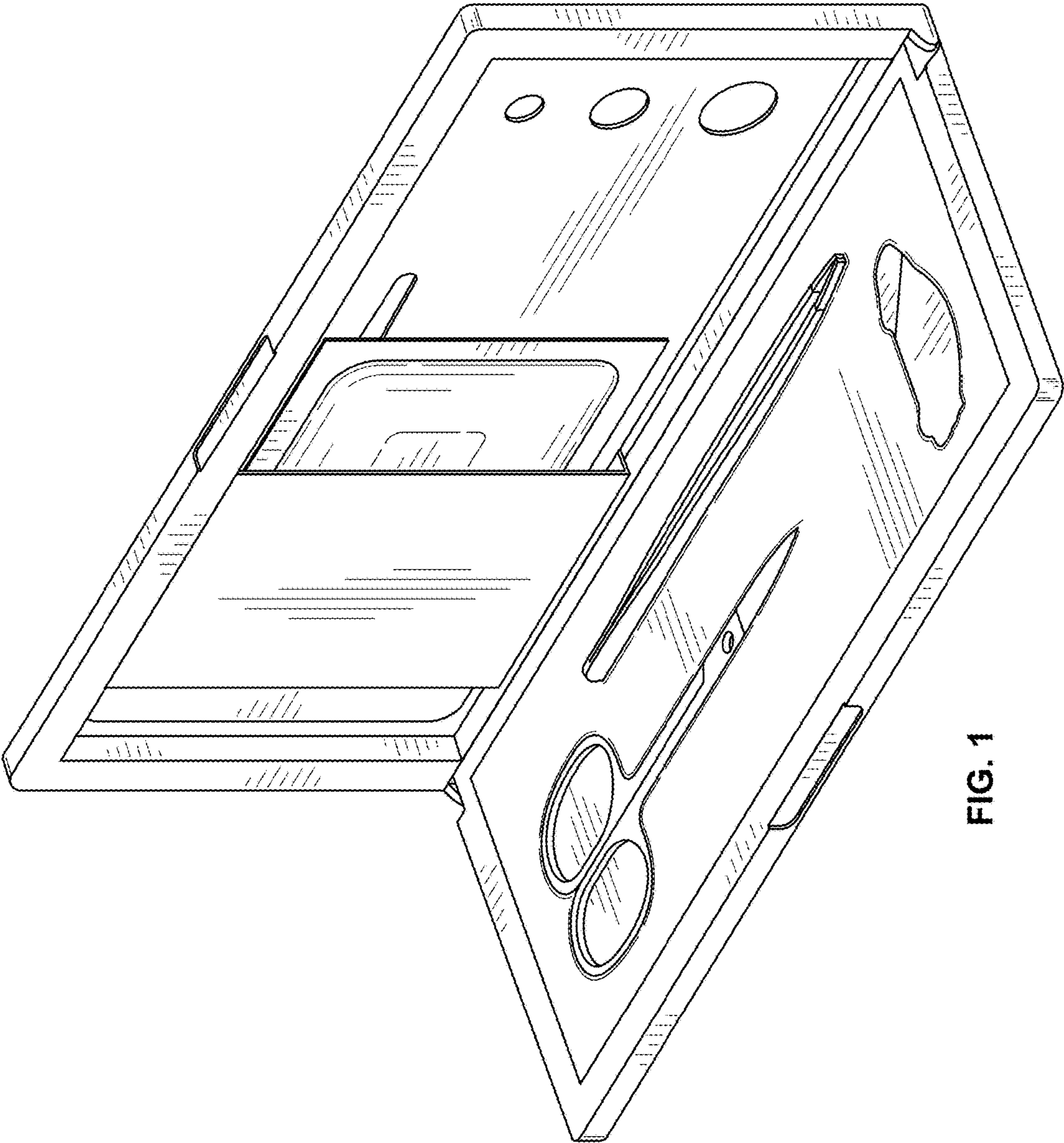


FIG. 1

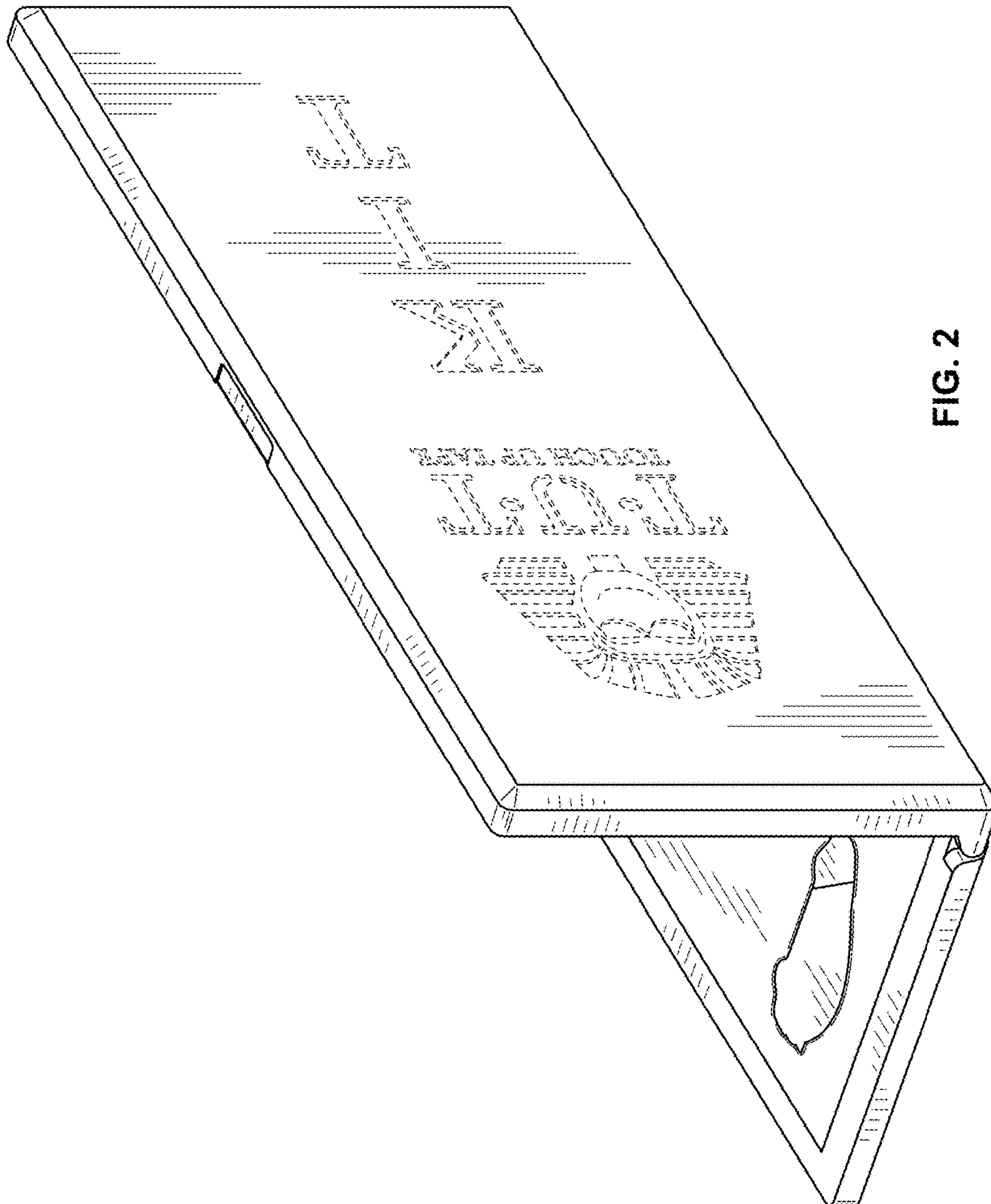


FIG. 2

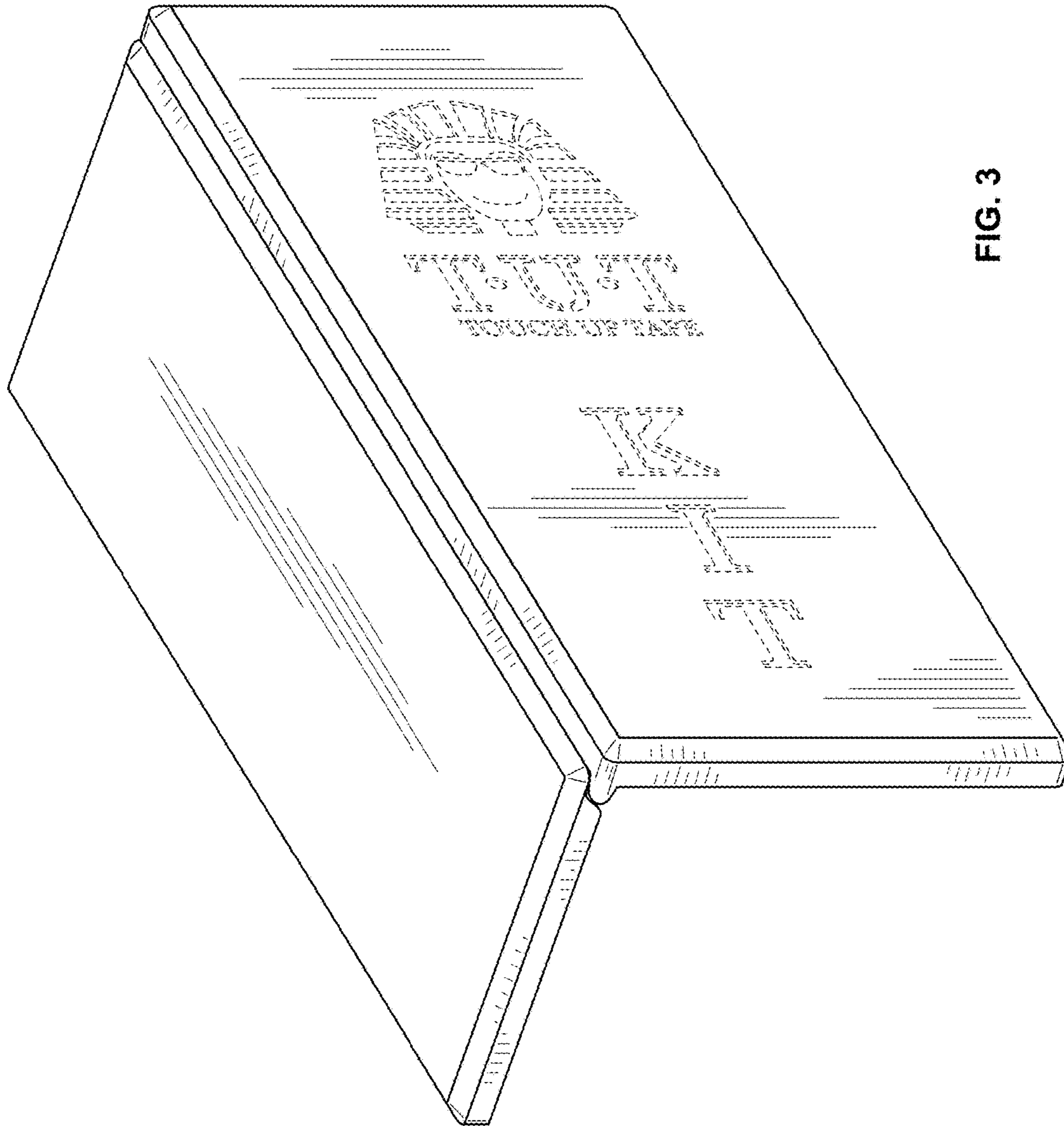


FIG. 3

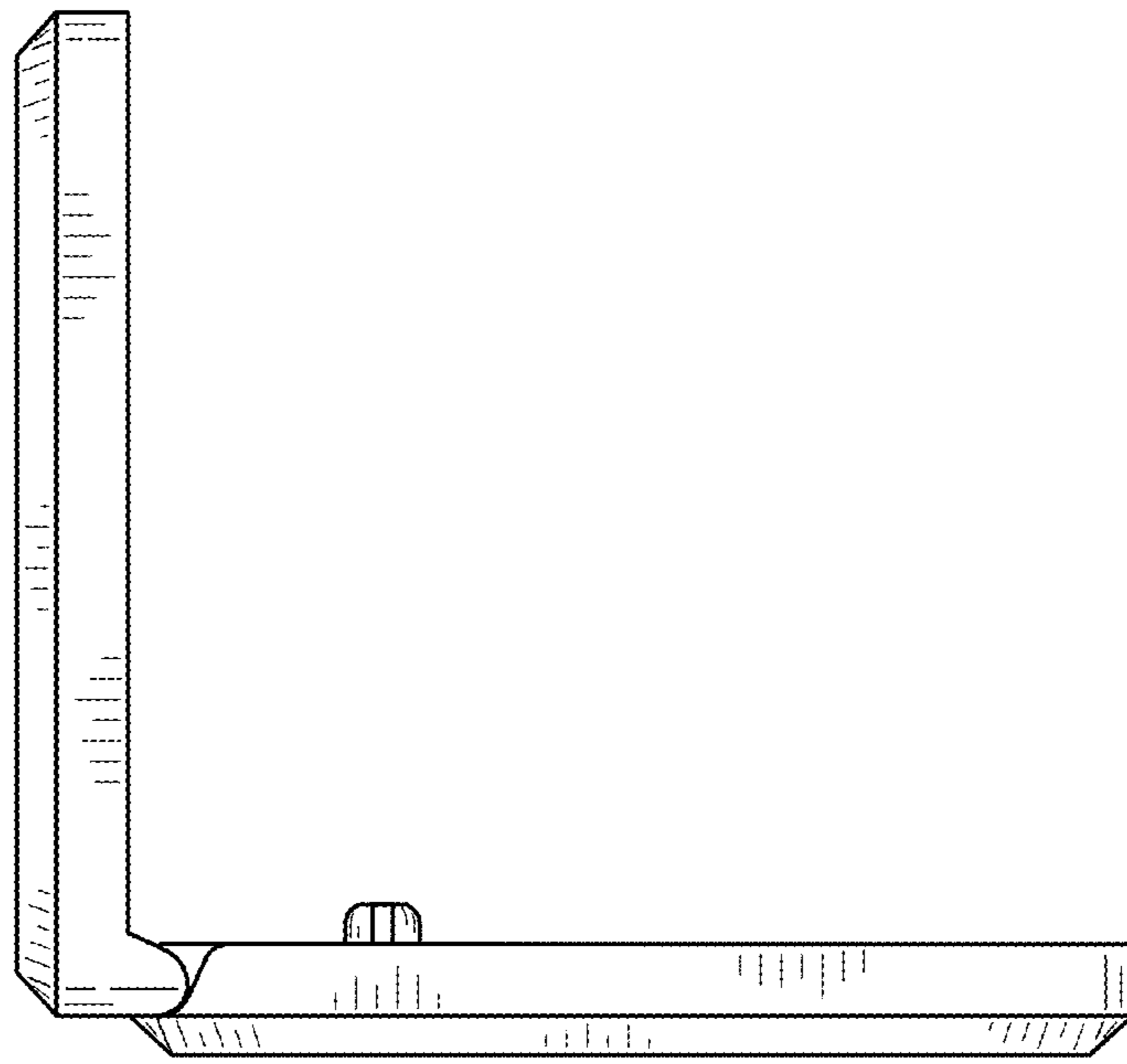


FIG. 4

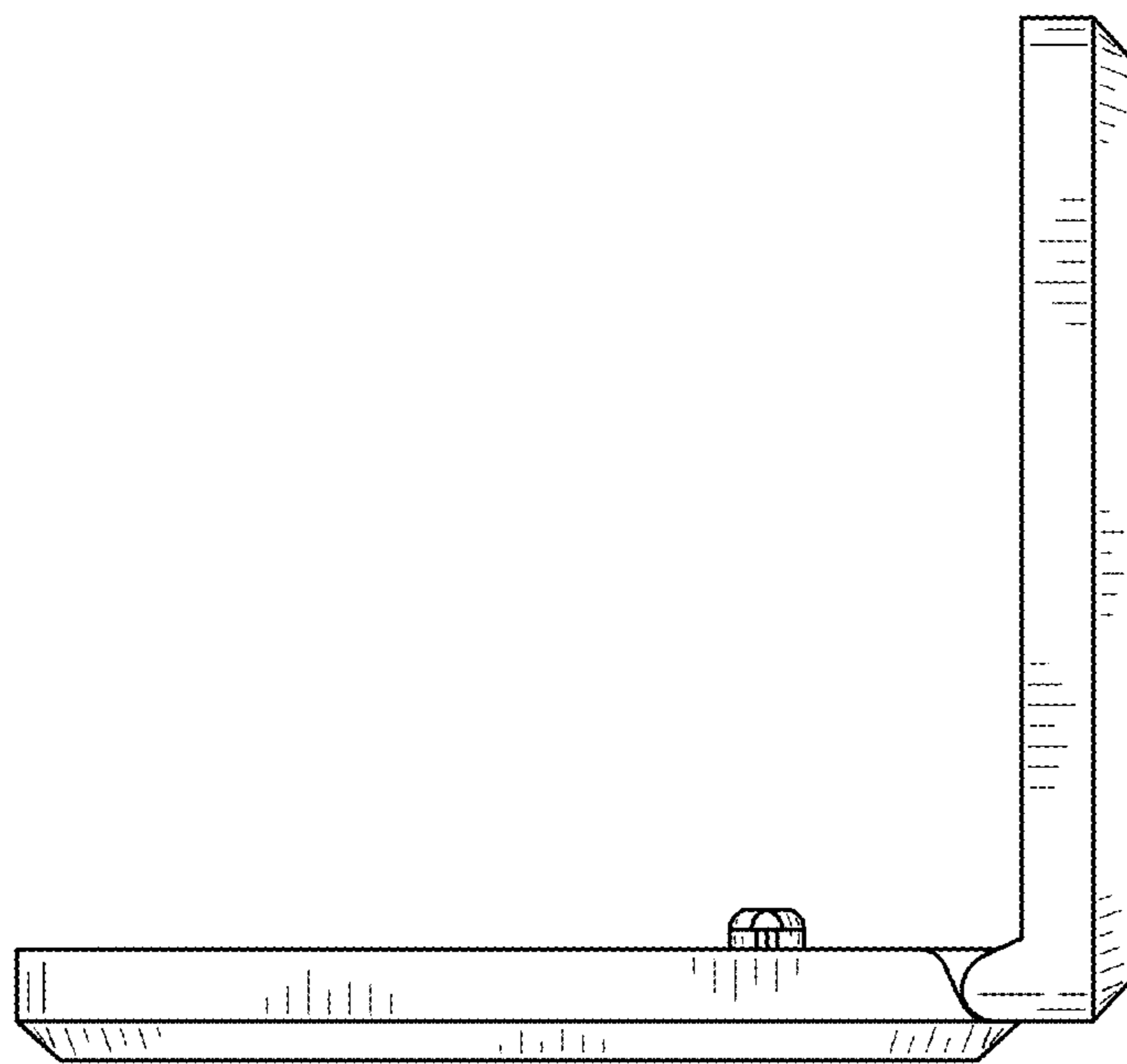


FIG. 5

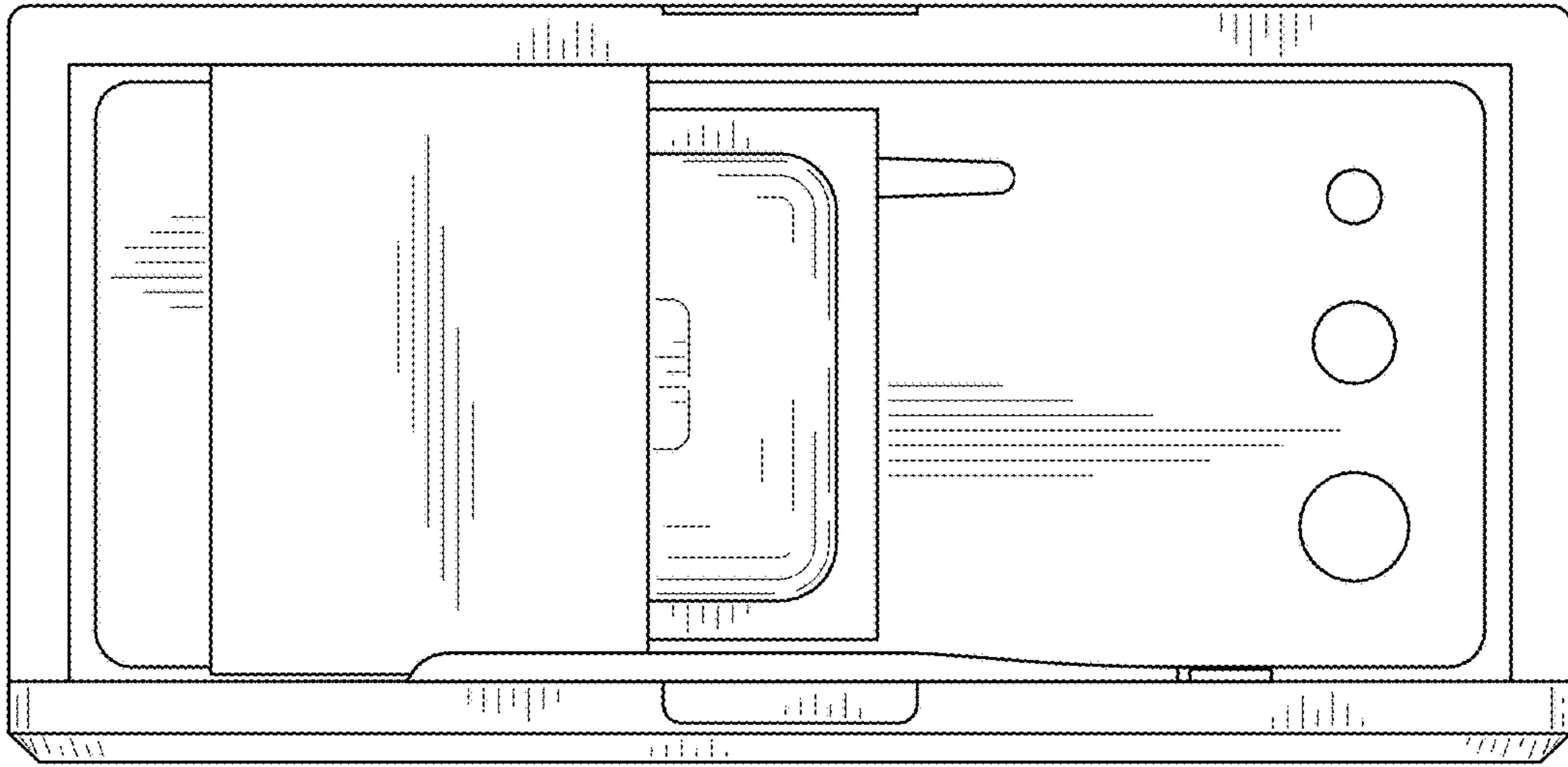


FIG. 6

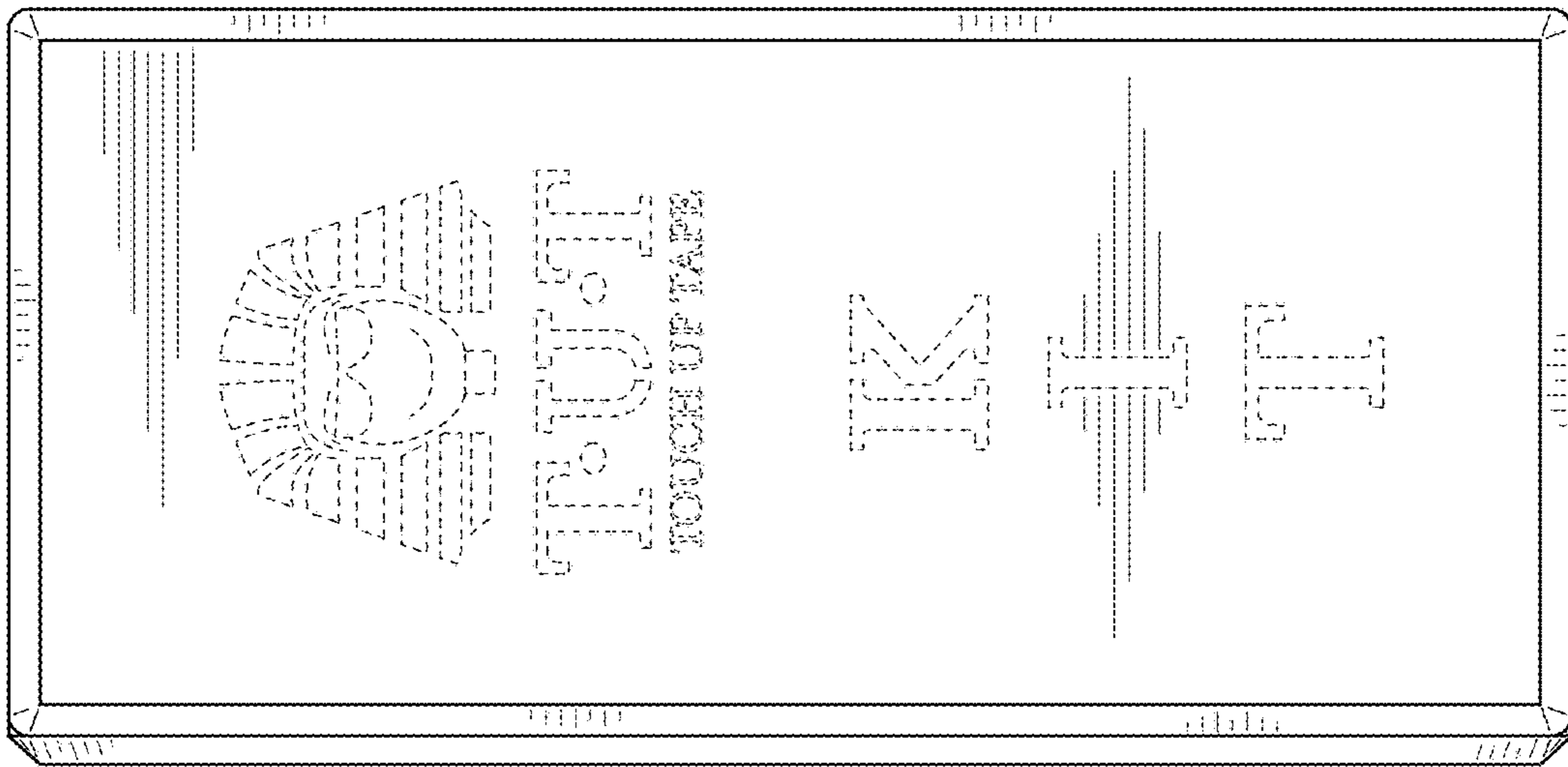


FIG. 7

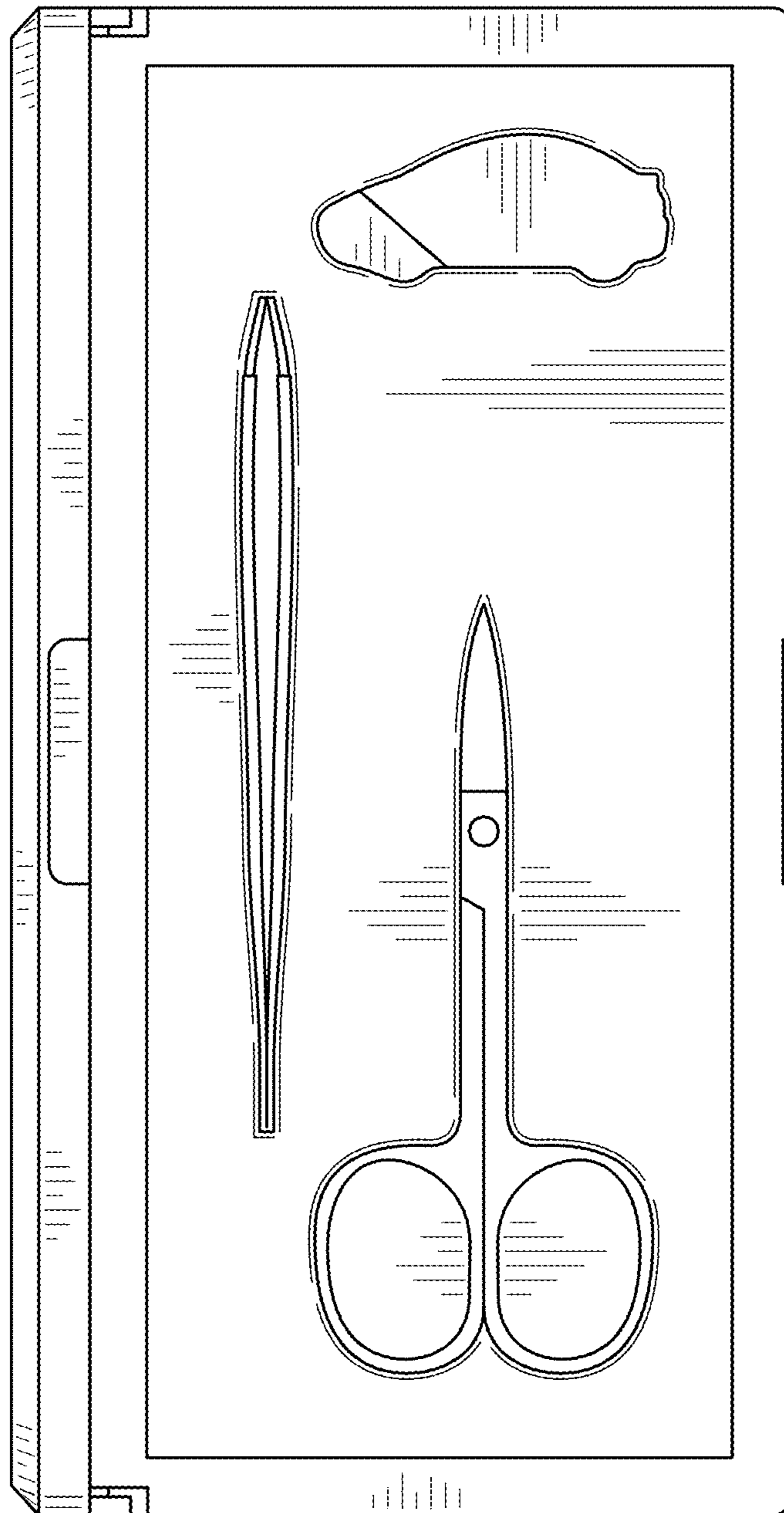


FIG. 8

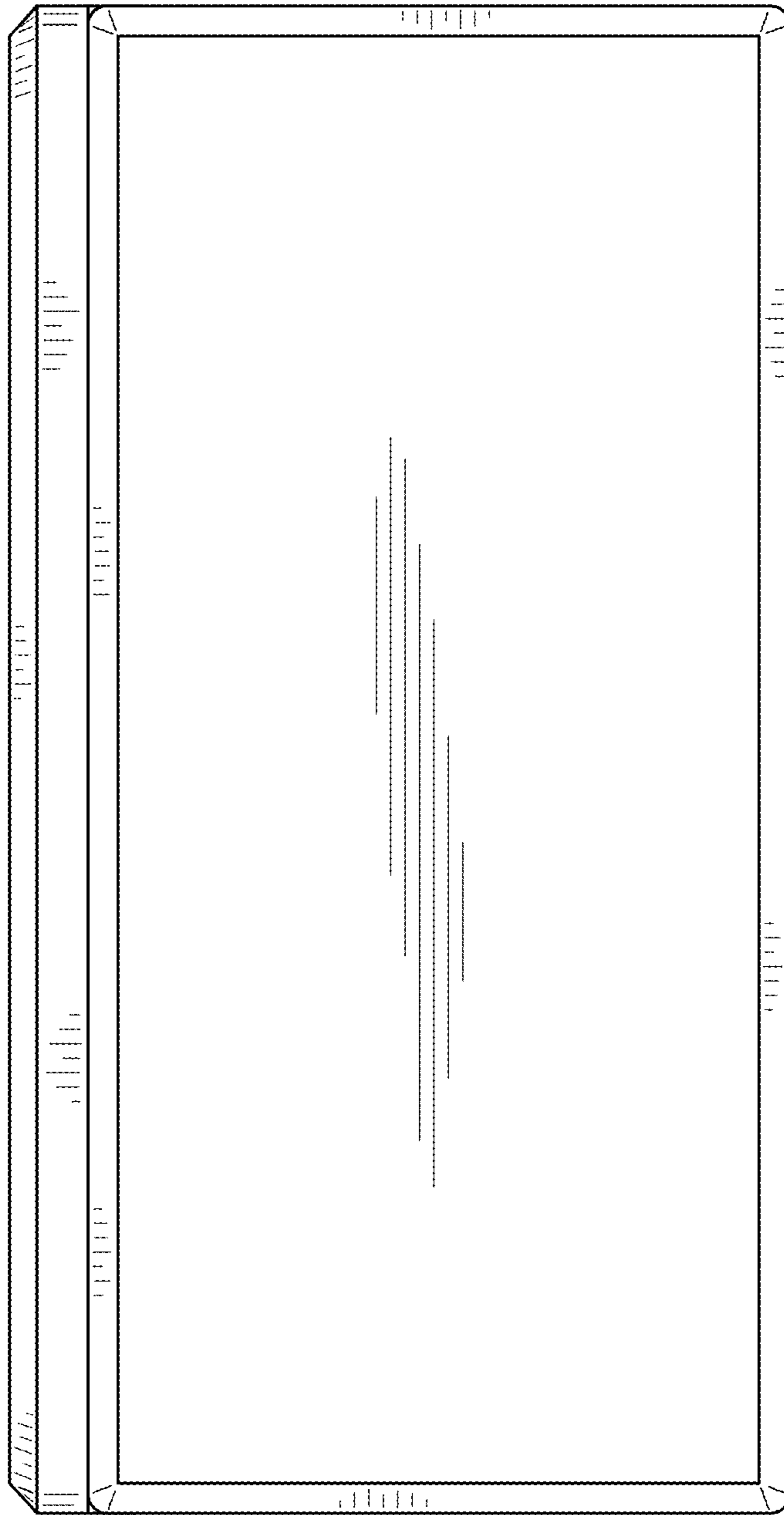


FIG. 9

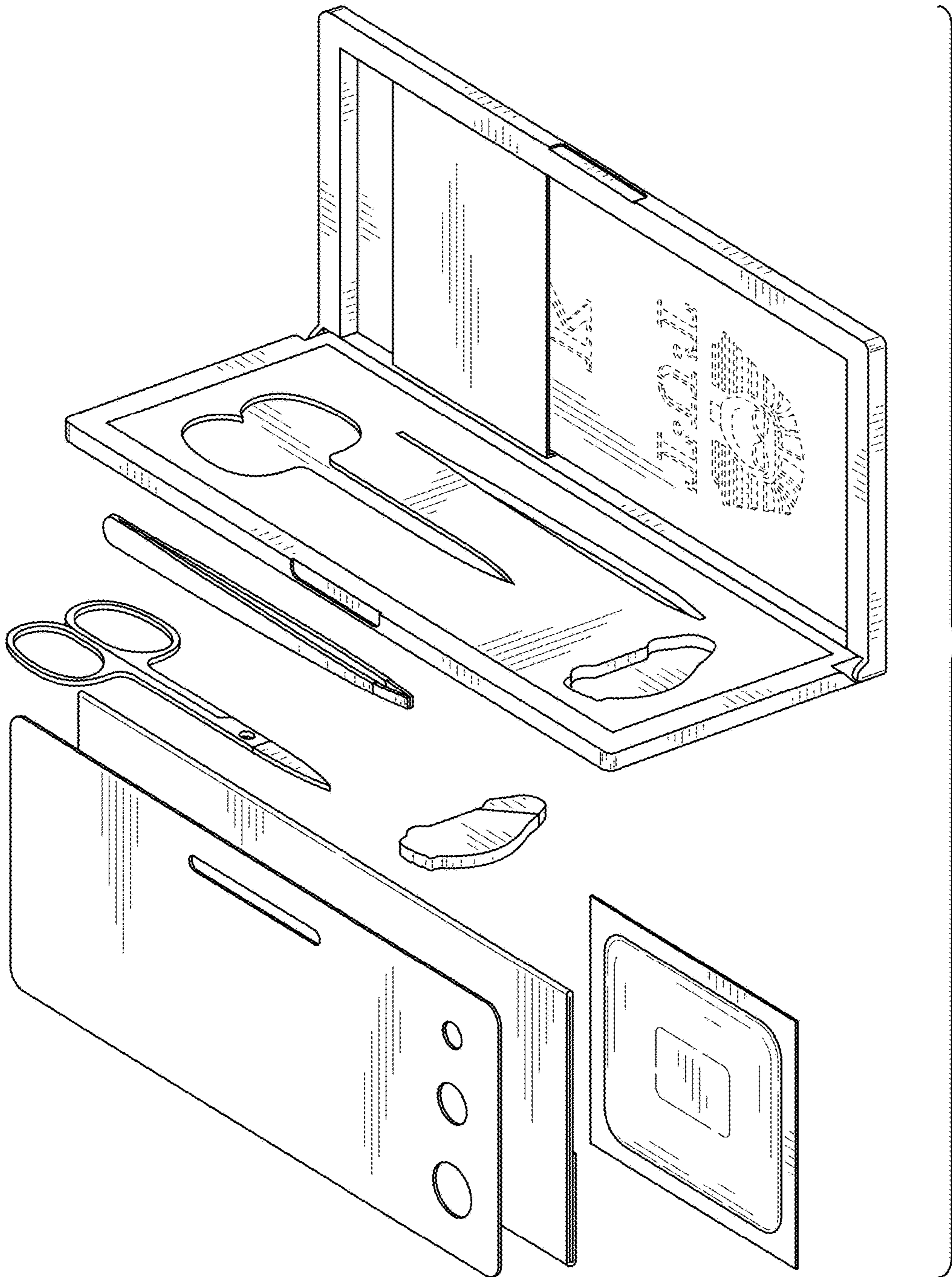


FIG. 10

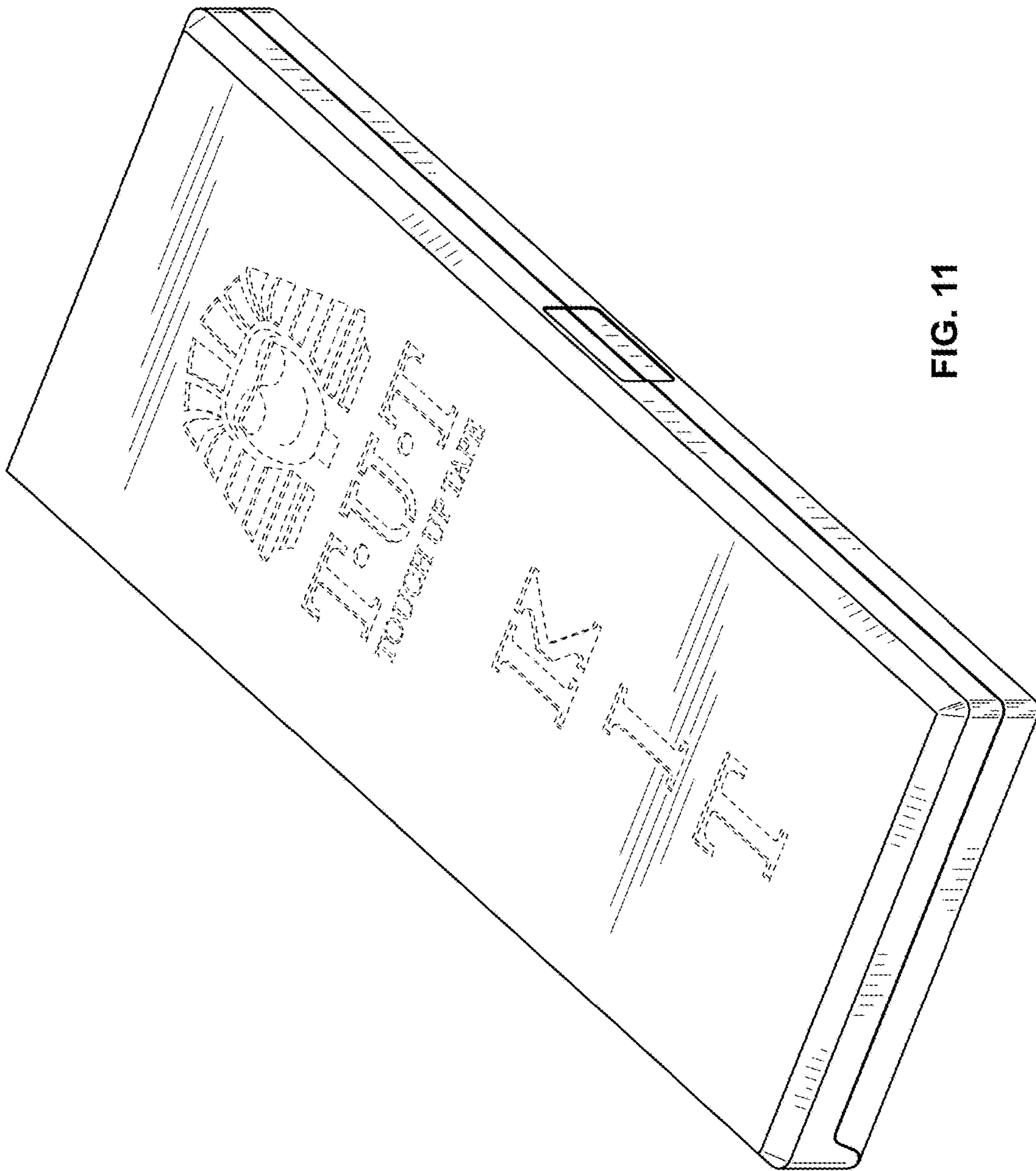


FIG. 11

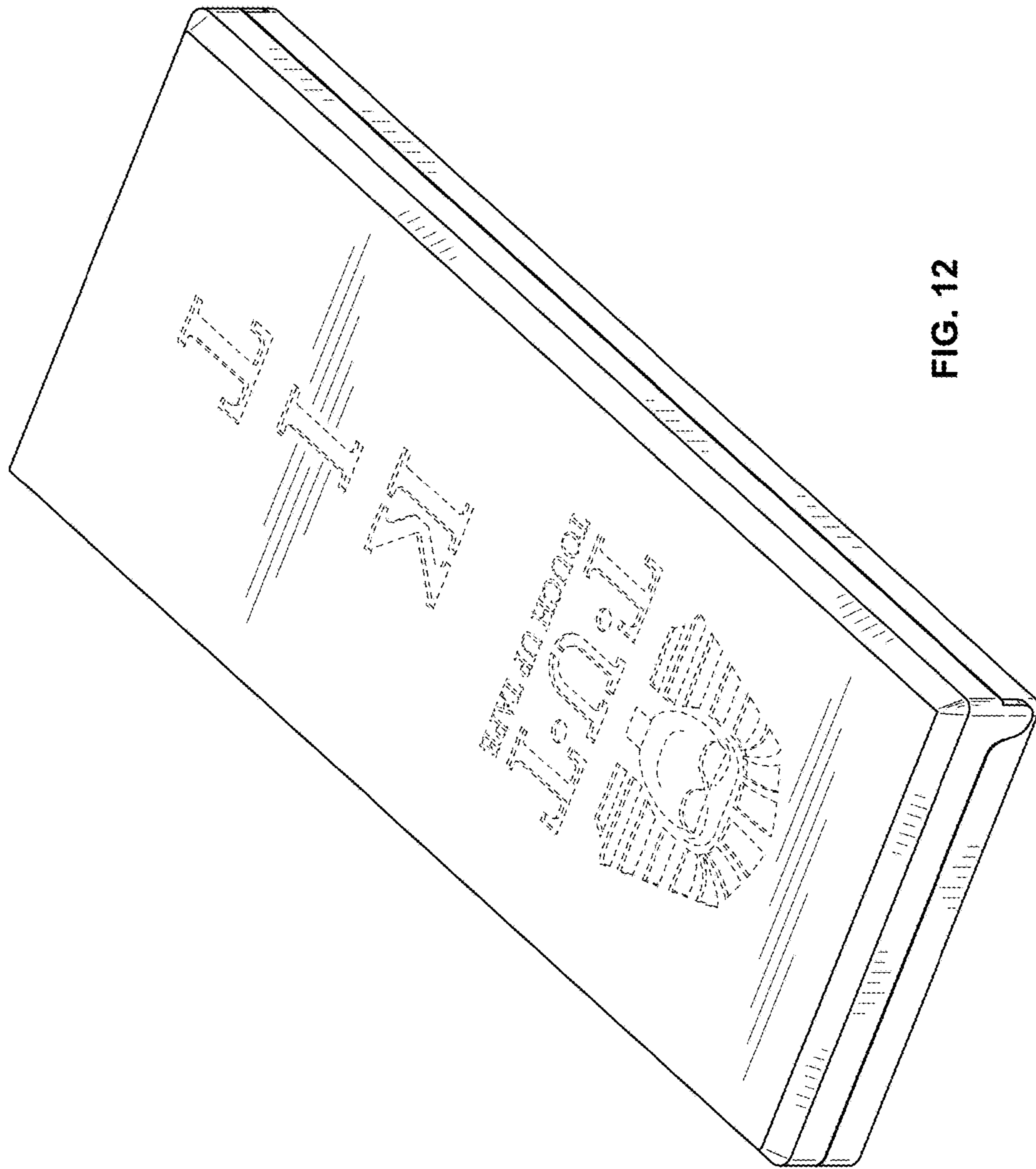


FIG. 12

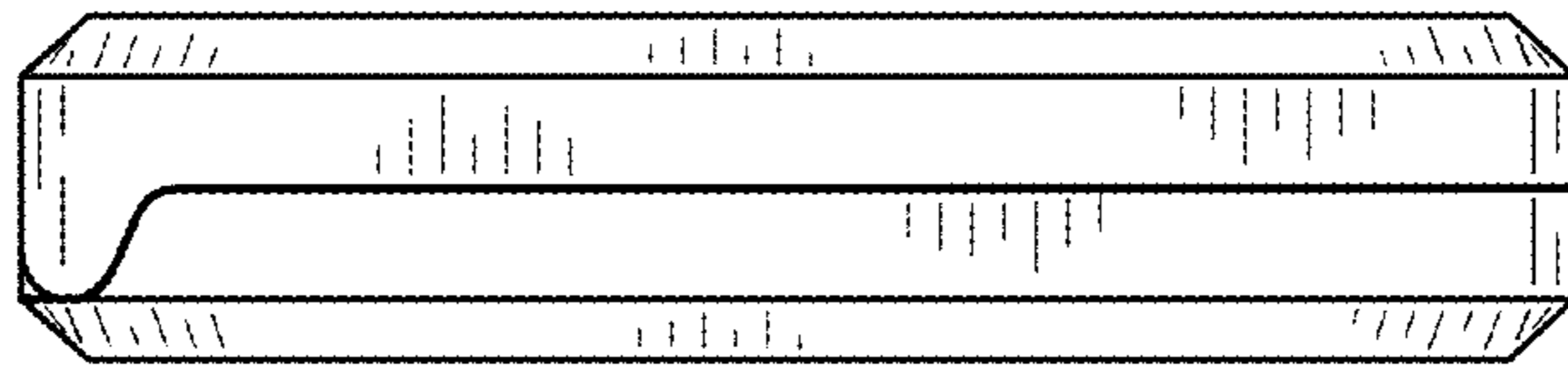


FIG. 13

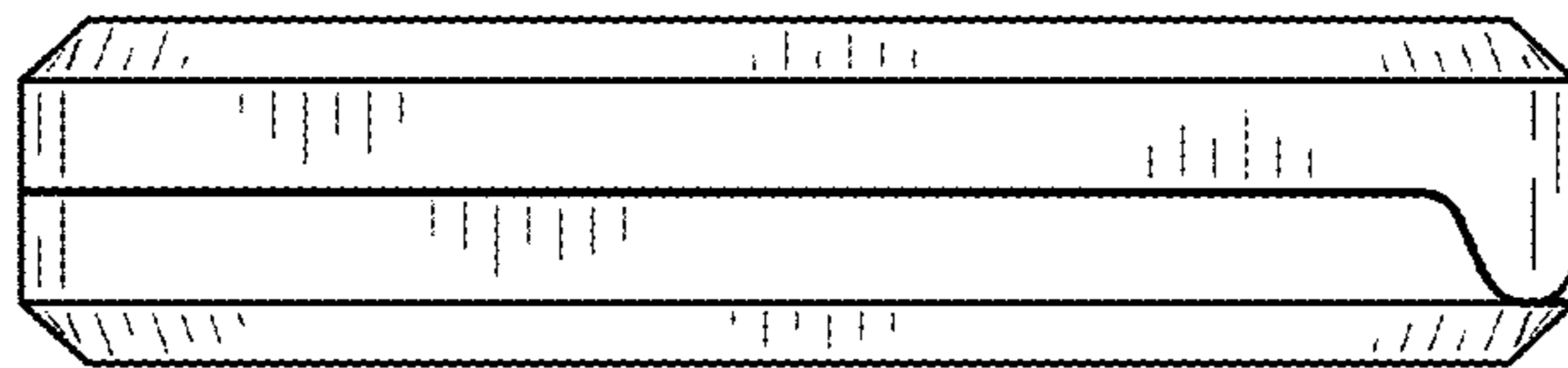


FIG. 14

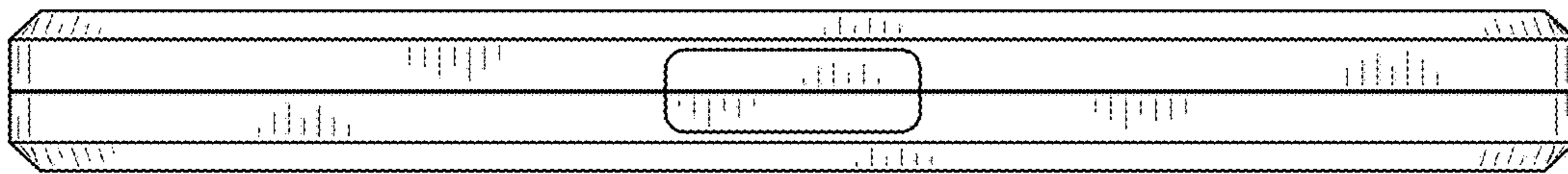


FIG. 15

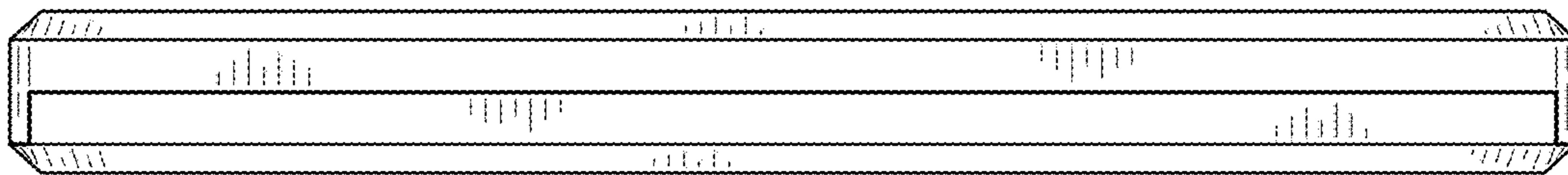


FIG. 16

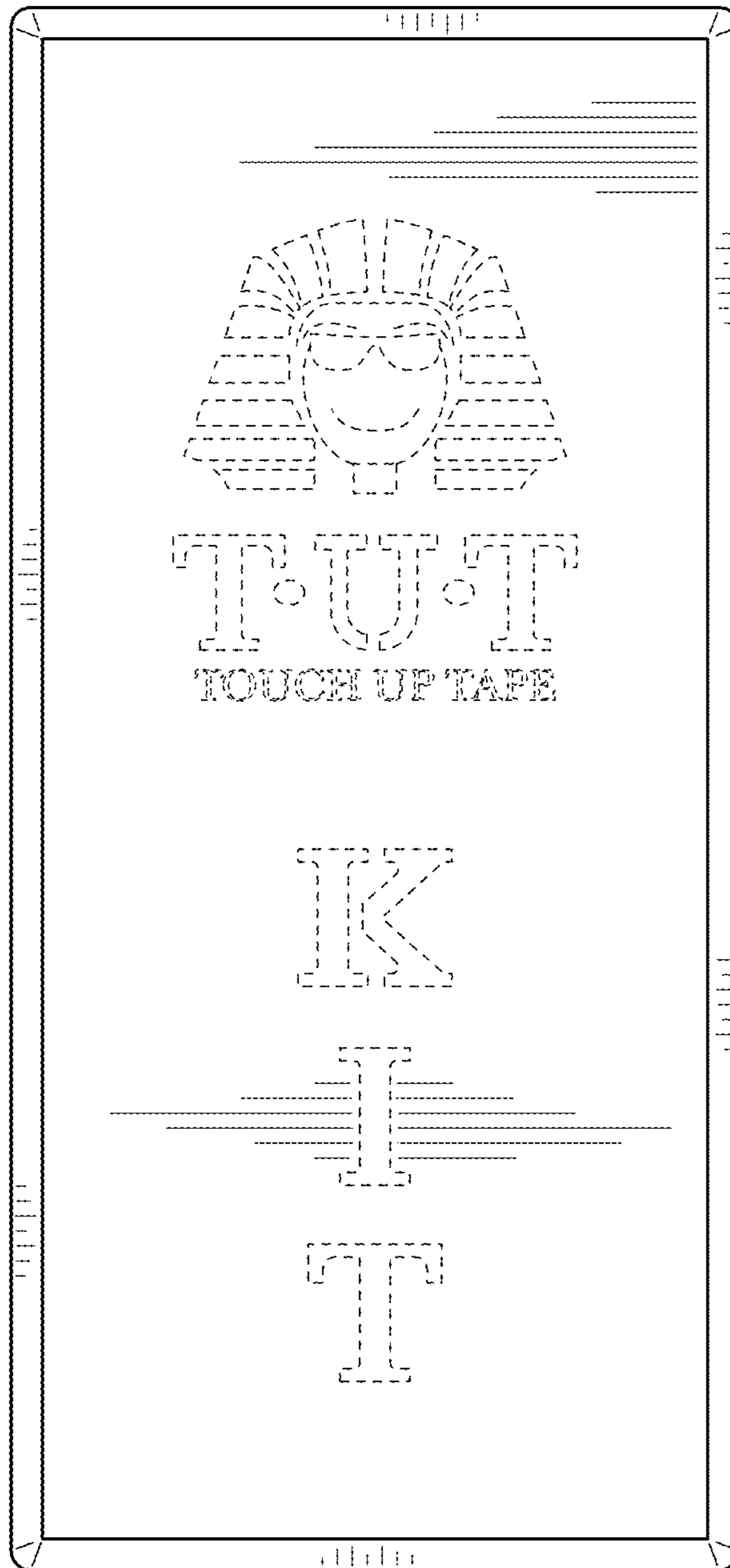


FIG. 17

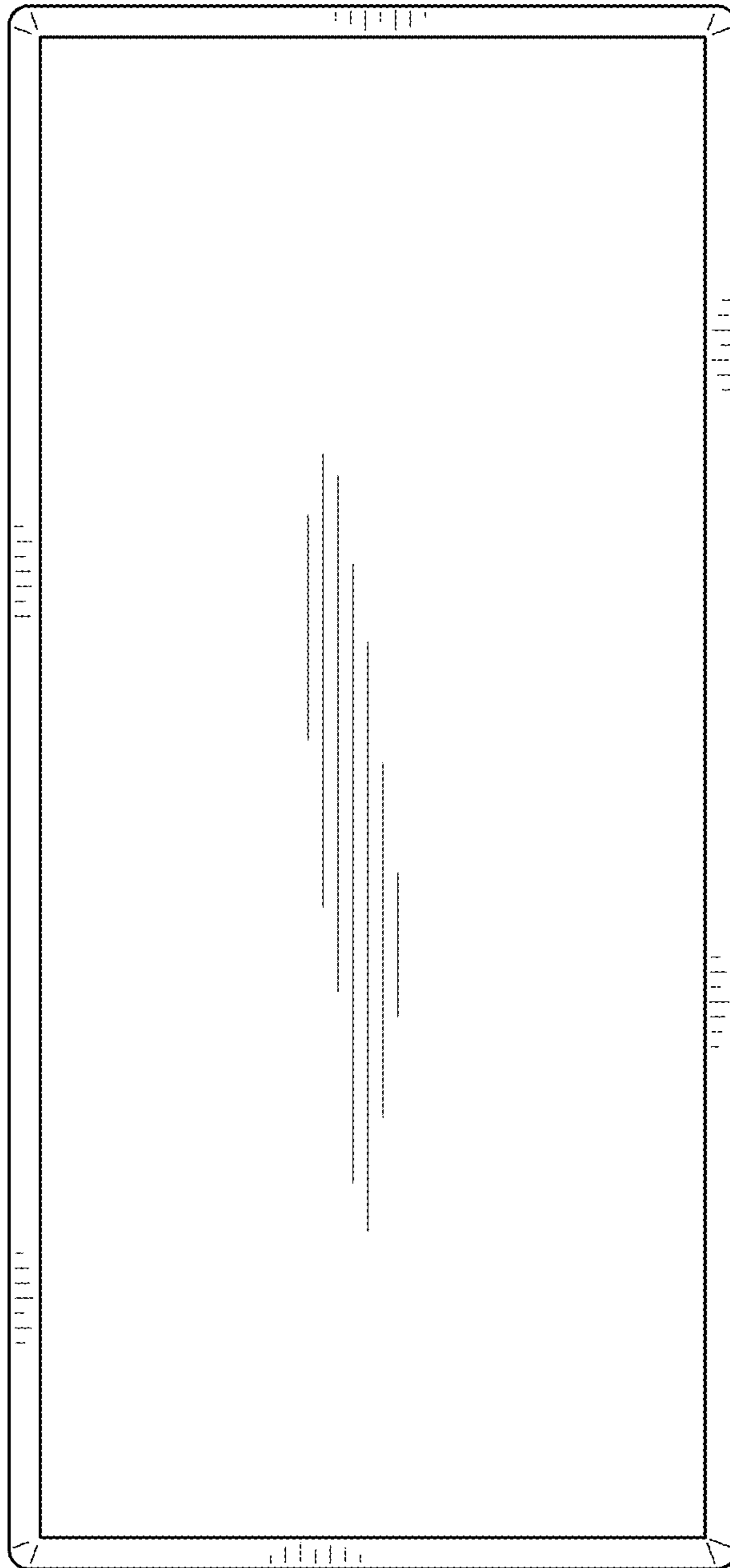


FIG. 18