



US00D785940S

(12) **United States Design Patent** (10) **Patent No.:** **US D785,940 S**  
**Reed** (45) **Date of Patent:** **\*\* May 9, 2017**

(54) **TOTE CONTAINER**  
(71) Applicant: **Continental Commercial Products LLC**, Bridgeton, MO (US)  
(72) Inventor: **Meghan Reed**, Bridgeton, MO (US)  
(73) Assignee: **Continental Commercial Products, LLC**, St. Louis, MO (US)  
(\*\*) Term: **15 Years**  
(21) Appl. No.: **29/533,487**

(22) Filed: **Jul. 17, 2015**  
(51) **LOC (10) Cl.** ..... **03-01**  
(52) **U.S. Cl.**  
USPC ..... **D3/302**  
(58) **Field of Classification Search**  
USPC ..... D3/273, 274, 275, 276, 281, 284, 292, D3/294, 295, 296, 297, 299, 905, 901, D3/903, 205, 203.1, 279, 282, 242, 301, D3/302; D9/414, 418, 420-423, 425, 428  
CPC .. A45C 5/00; A45C 5/04; A45C 11/00; A45C 11/16  
See application file for complete search history.

(56) **References Cited**

**U.S. PATENT DOCUMENTS**

D308,340 S *	6/1990	Ilsen .....	D3/302
D343,711 S	1/1994	Craft et al.	
D351,284 S *	10/1994	Kruger .....	D3/304
D362,931 S	10/1995	Brightbill et al.	
D374,774 S *	10/1996	Cassel .....	D3/273
D378,552 S *	3/1997	Lippisch .....	D3/273
5,715,968 A	2/1998	Fink et al.	
D416,116 S	11/1999	Sofy	
6,039,205 A	3/2000	Flink	
D425,275 S	5/2000	Delouvre et al.	
D427,769 S *	7/2000	Zimmerman .....	D3/273
D439,406 S *	3/2001	Zimmerman .....	D3/273
6,308,379 B1	10/2001	Hendrickson et al.	

D466,299 S *	12/2002	Zimmerman .....	D3/273
6,530,495 B1	3/2003	Joseph	
D476,341 S	6/2003	Booten et al.	
D503,020 S	3/2005	Sofy et al.	
6,910,577 B2	6/2005	O'Sullivan	
D511,247 S *	11/2005	Tsuchiya .....	D3/273
D513,871 S *	1/2006	Rosine .....	D3/273
D531,802 S *	11/2006	Zimmerman .....	D3/276
7,207,460 B2	4/2007	Sander et al.	
D564,758 S	3/2008	Drury	
D567,507 S *	4/2008	Zimmerman .....	D3/302
D572,903 S *	7/2008	McNamara .....	D3/282
D584,020 S	12/2008	McNamara	
7,677,408 B2	3/2010	Loucks et al.	

(Continued)

*Primary Examiner* — Sandra Snapp  
*Assistant Examiner* — Holly E Thurman  
(74) *Attorney, Agent, or Firm* — Thompson Coburn LLP;  
Clyde L. Smith

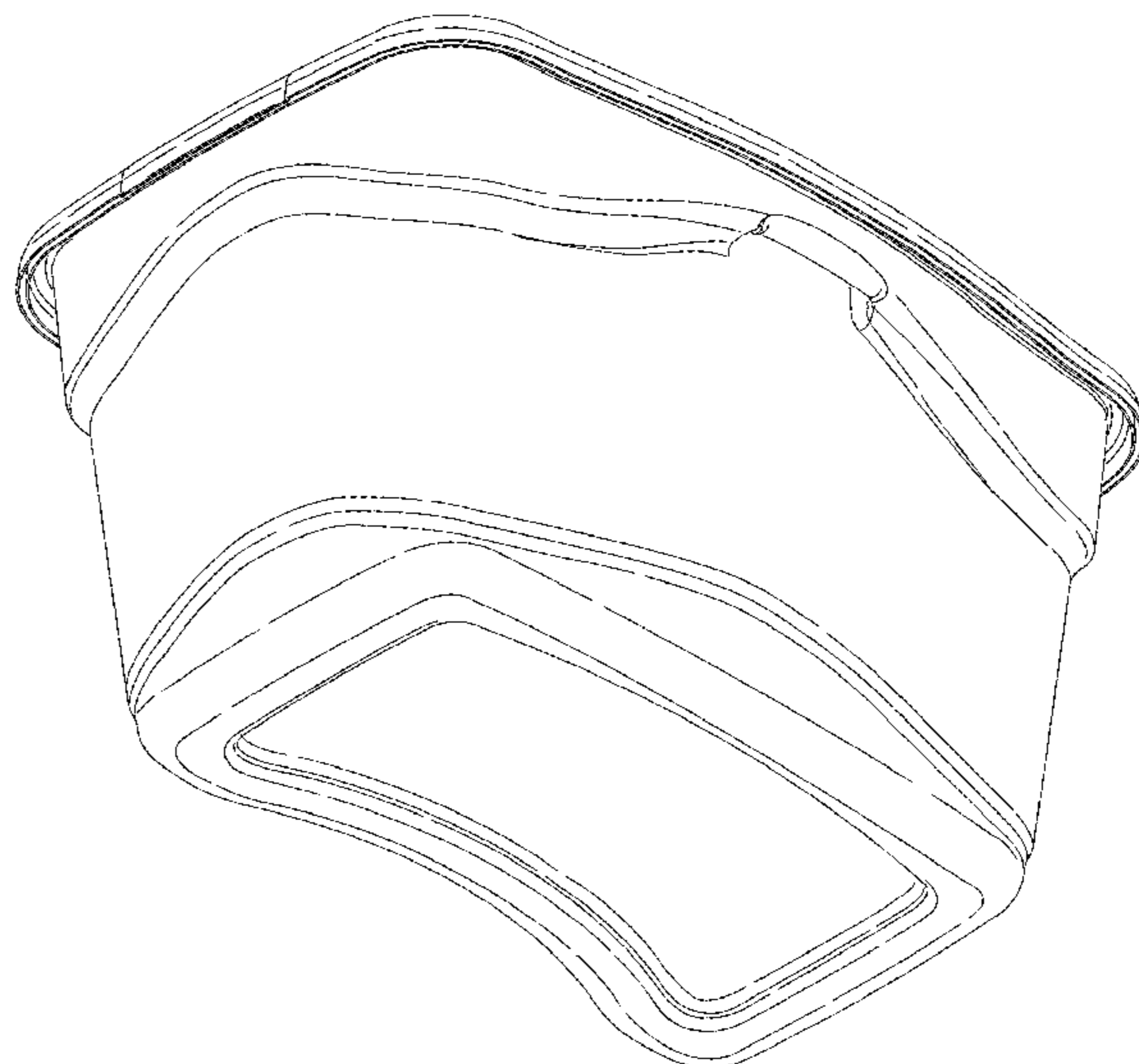
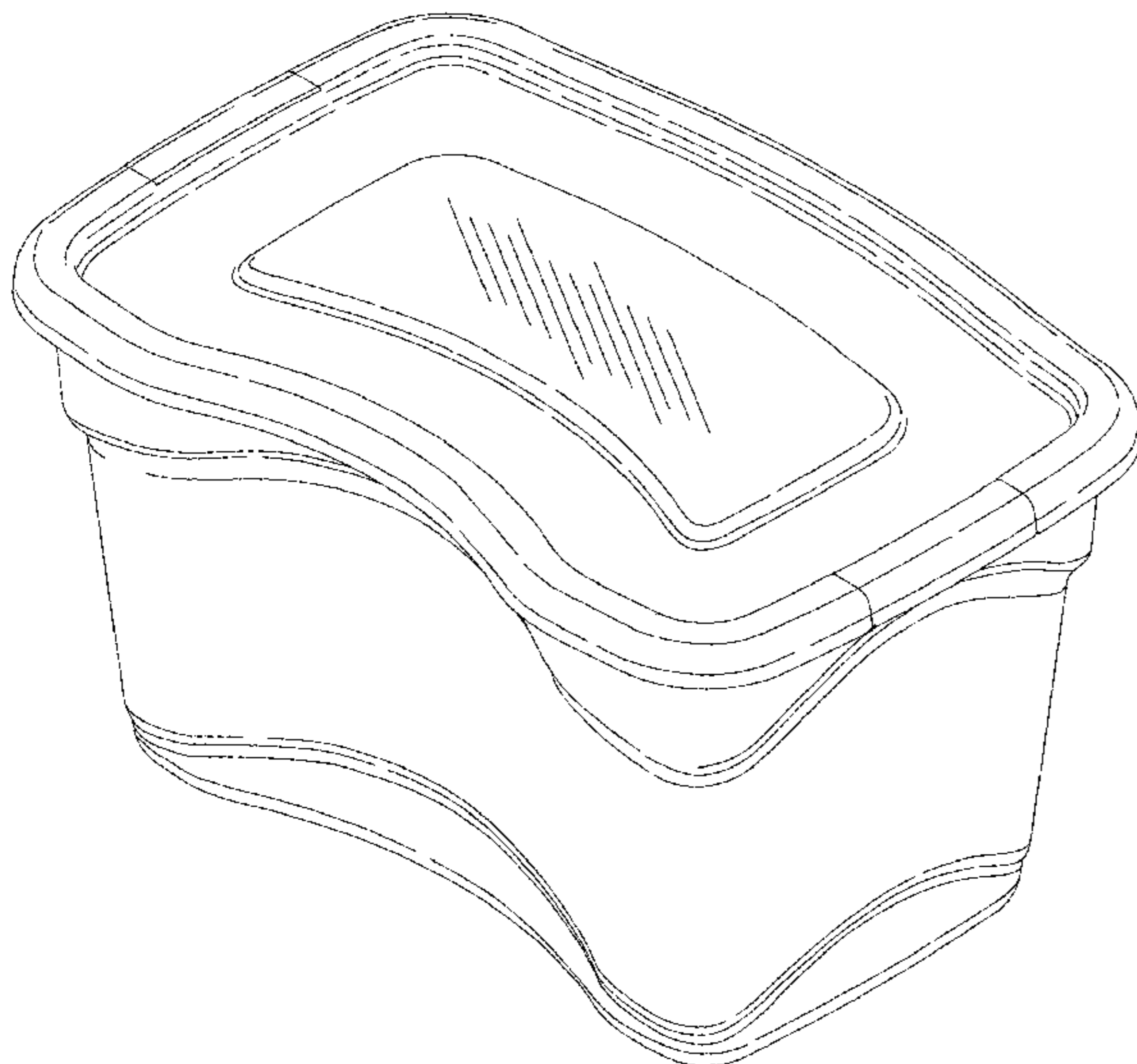
(57) **CLAIM**

The ornamental design for a tote container, as shown and described.

**DESCRIPTION**

FIG. 1 is a perspective view showing the top, front, and right sides of the design.  
FIG. 2 shows the front elevation view of the design.  
FIG. 3 shows the rear elevation view of the design.  
FIG. 4 shows the right side elevation view of the design, the left side being a mirror image thereof.  
FIG. 5 shows the top of the design.  
FIG. 6 shows the bottom of the design.  
FIG. 7 is a perspective view showing the rear, right and bottom sides of the design.  
FIG. 8 is a perspective view showing the rear, left and top sides of the design; and,  
FIG. 9 is a perspective view showing the front, left and bottom sides of the design.

**1 Claim, 6 Drawing Sheets**



(56)

**References Cited**

U.S. PATENT DOCUMENTS

7,780,036	B2	8/2010	Splain et al.	
8,714,568	B2	5/2014	Allam et al.	
8,757,428	B2	6/2014	Daudelin	
D738,623	S *	9/2015	Wood .....	D3/302
2005/0189360	A1	9/2005	Loucks et al.	
2013/0062357	A1	3/2013	Souza	

\* cited by examiner

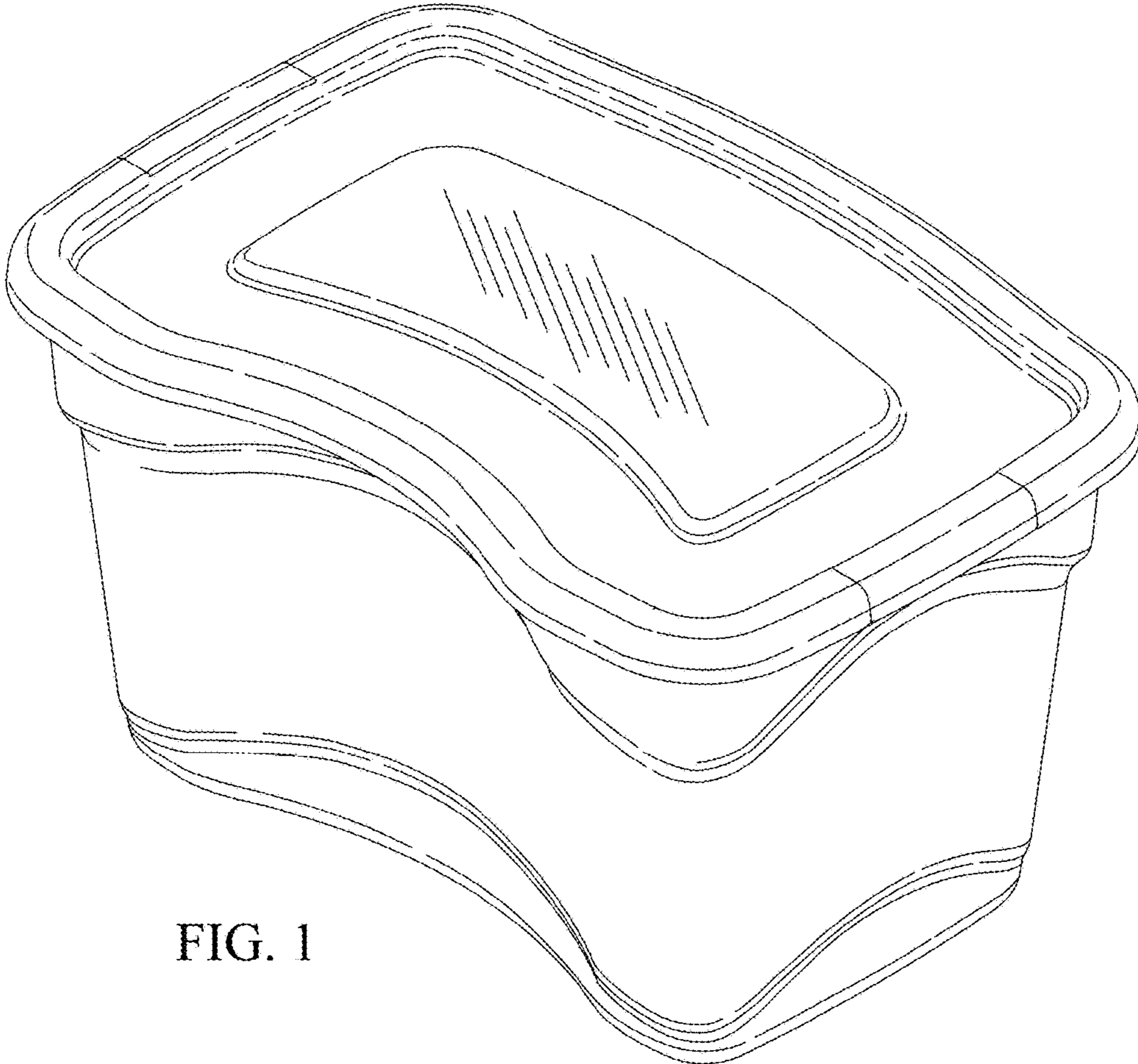


FIG. 1

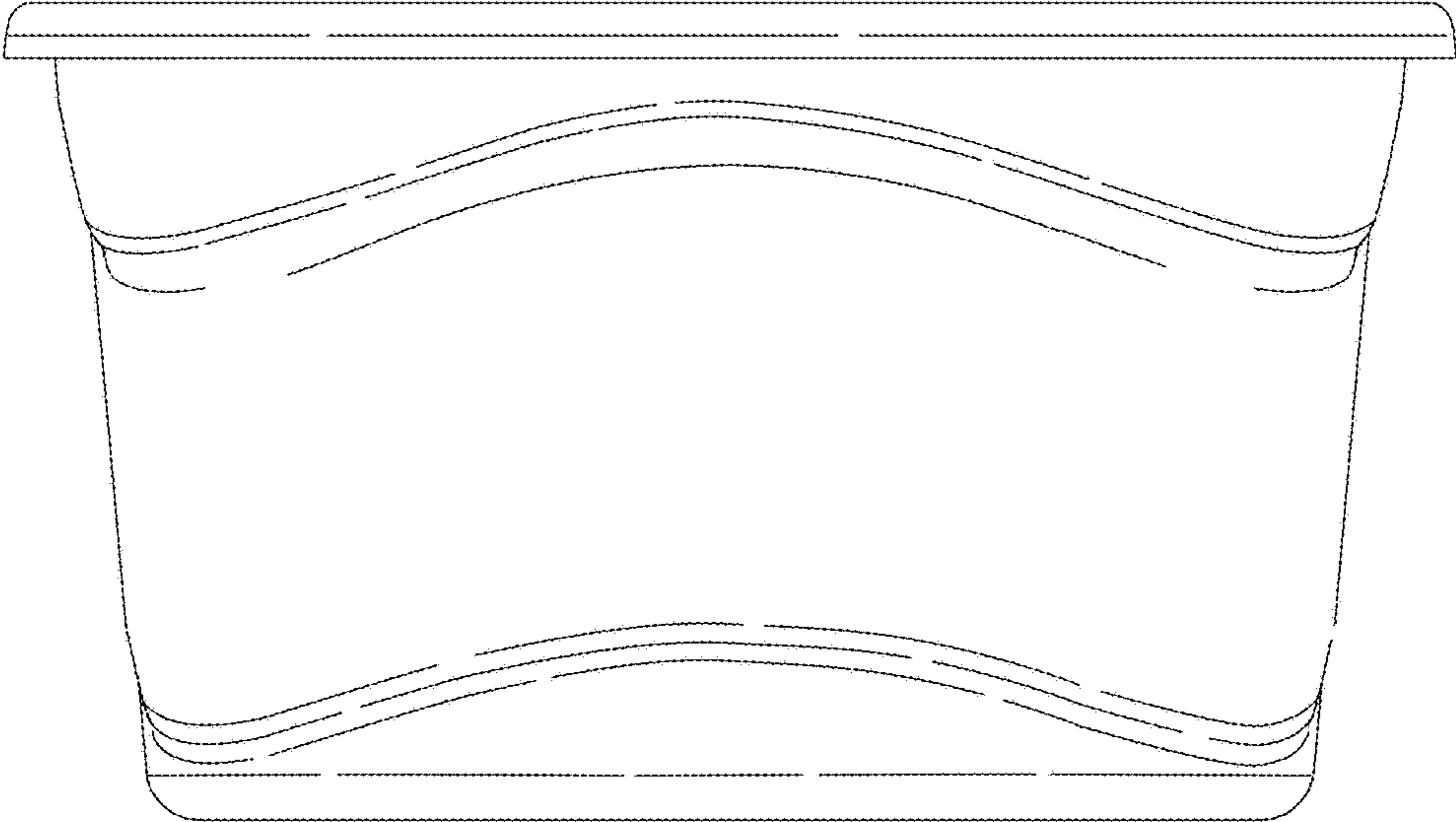


FIG. 2

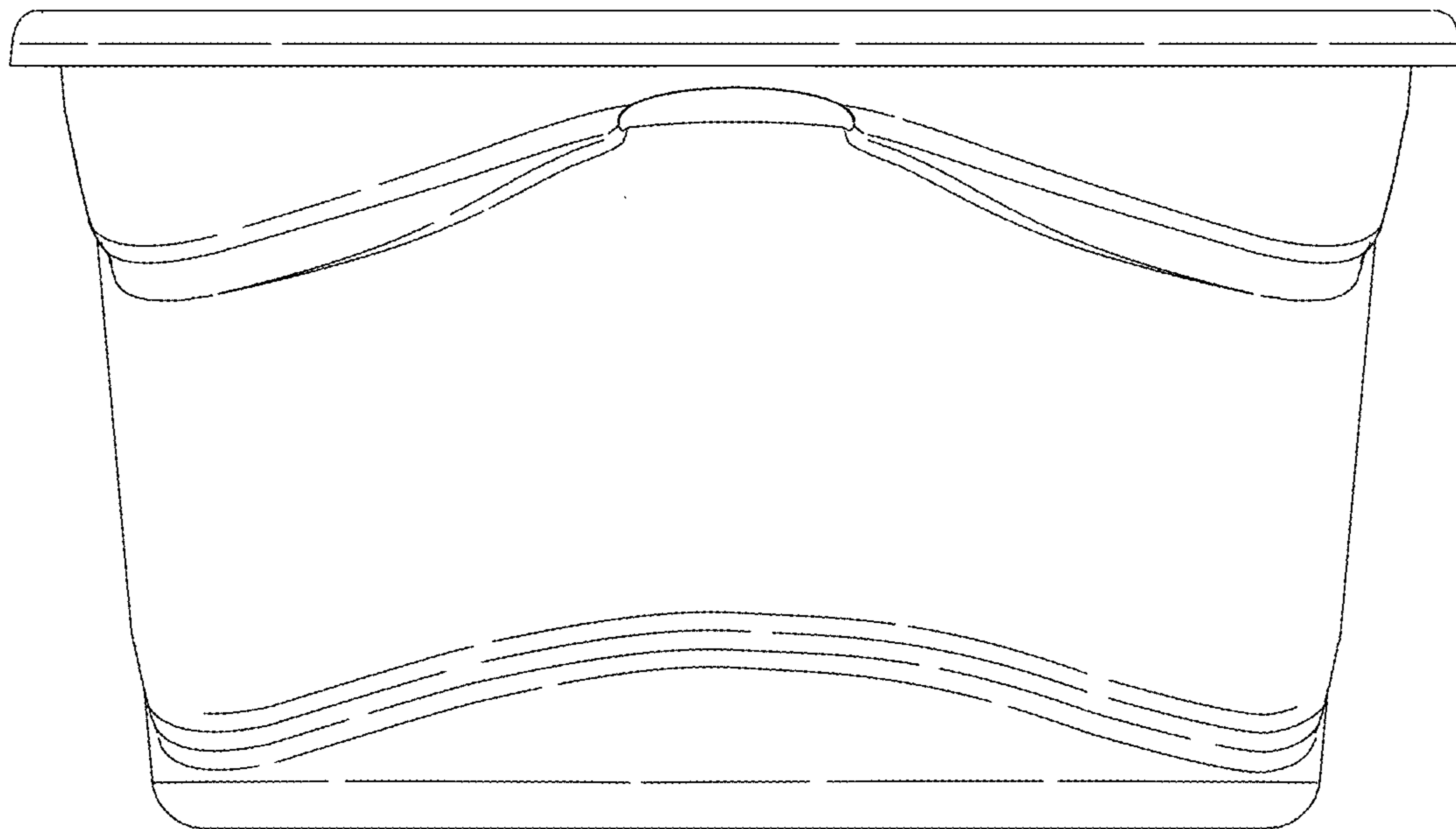


FIG. 3

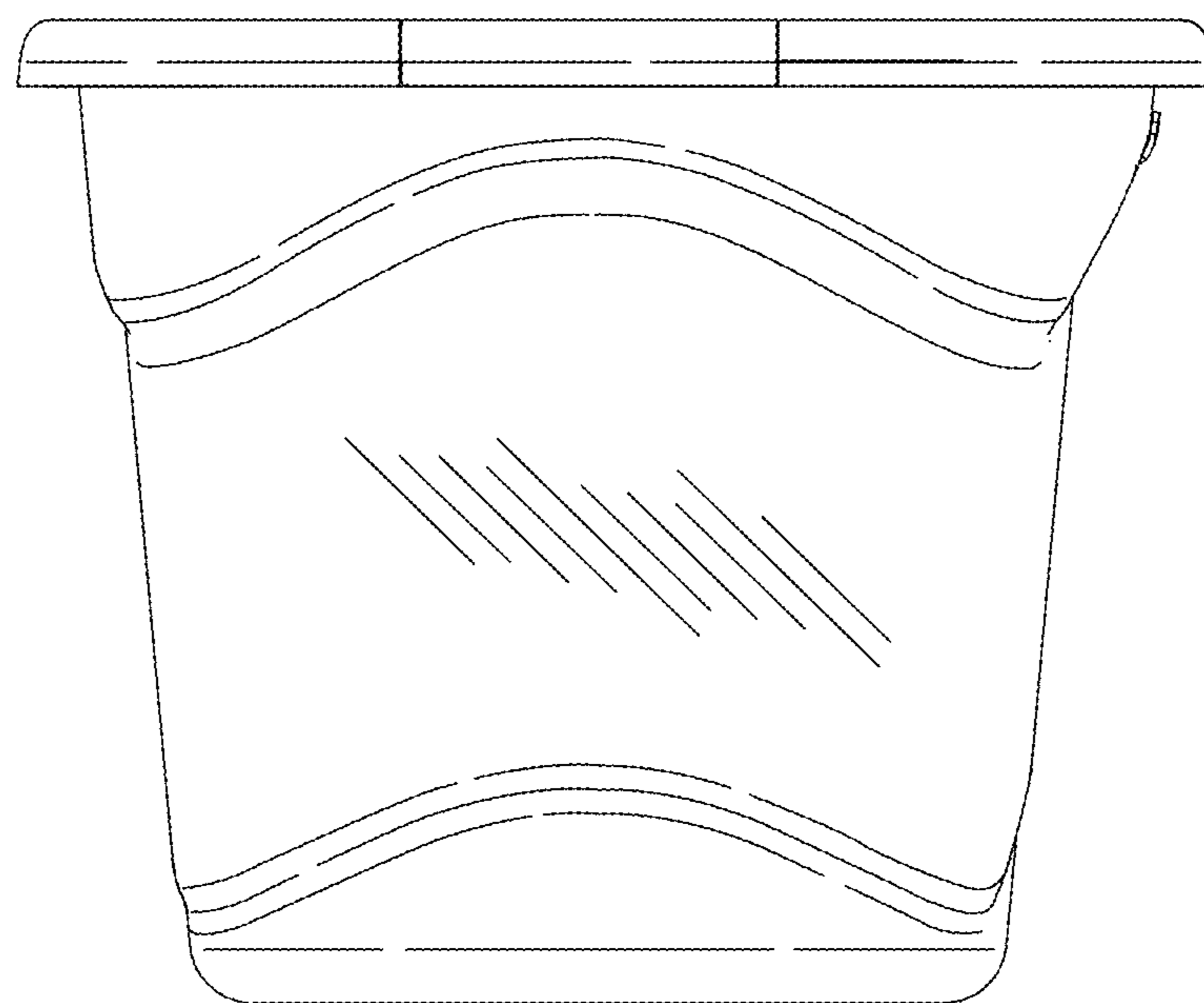


FIG. 4

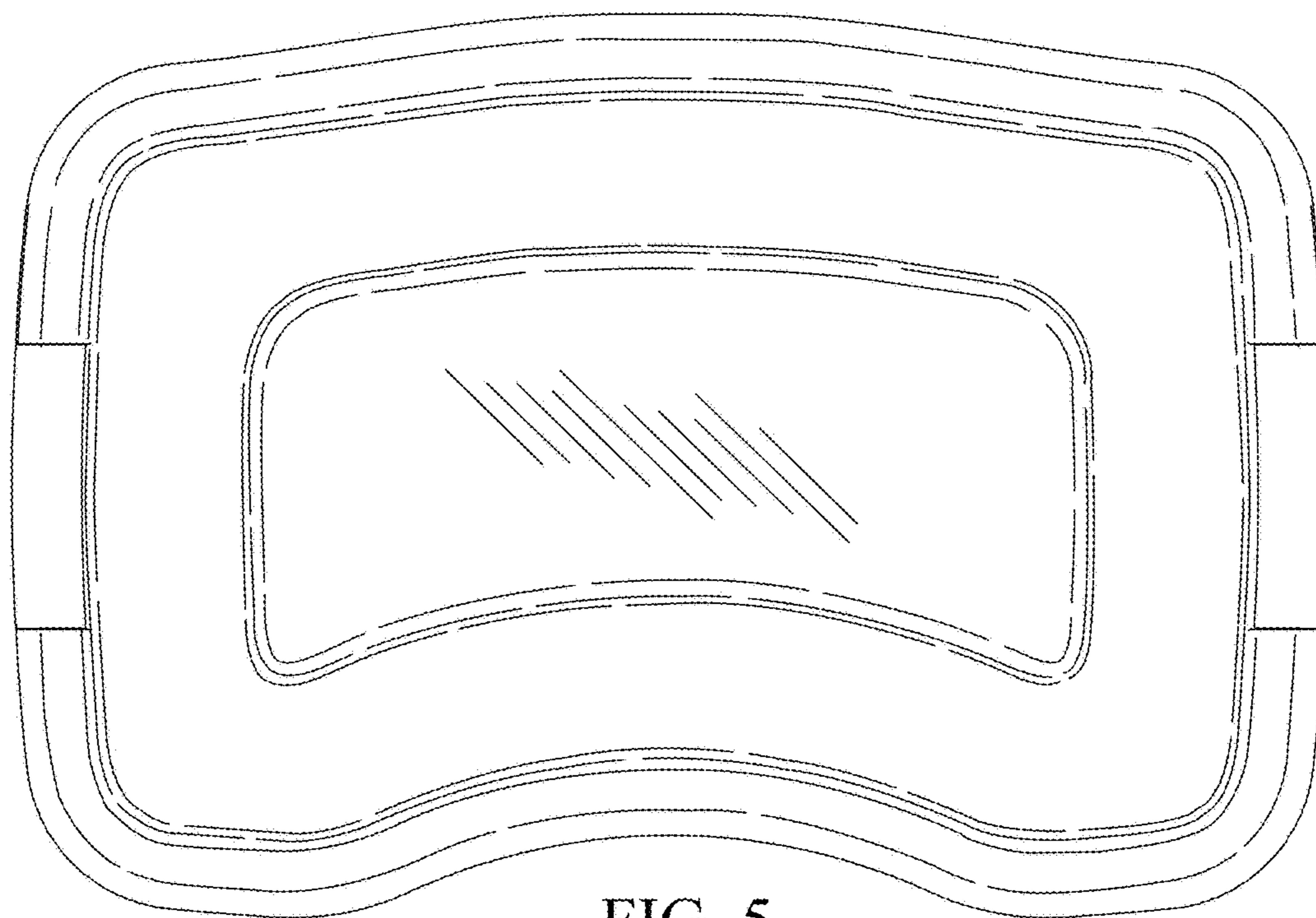


FIG. 5

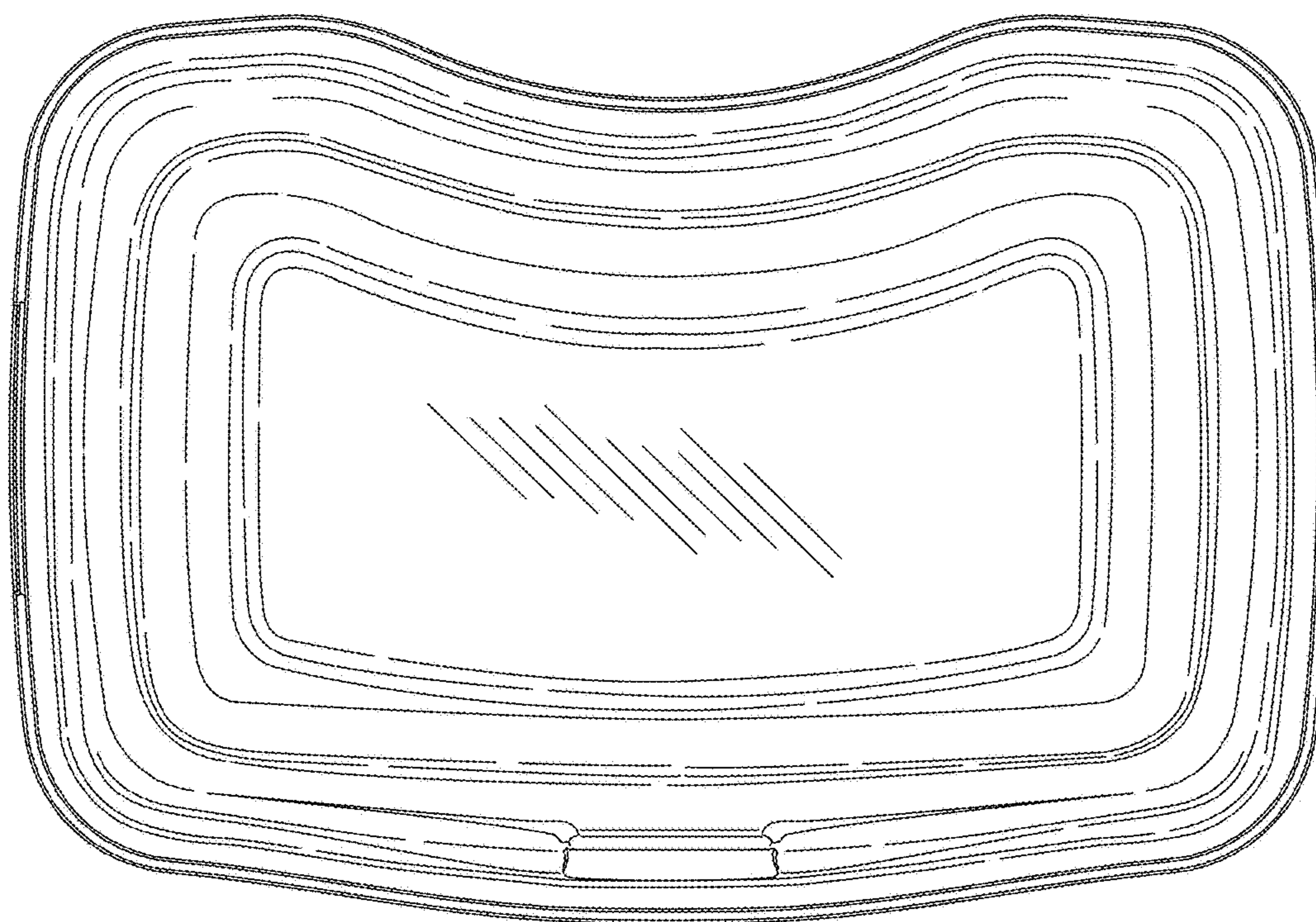


FIG. 6

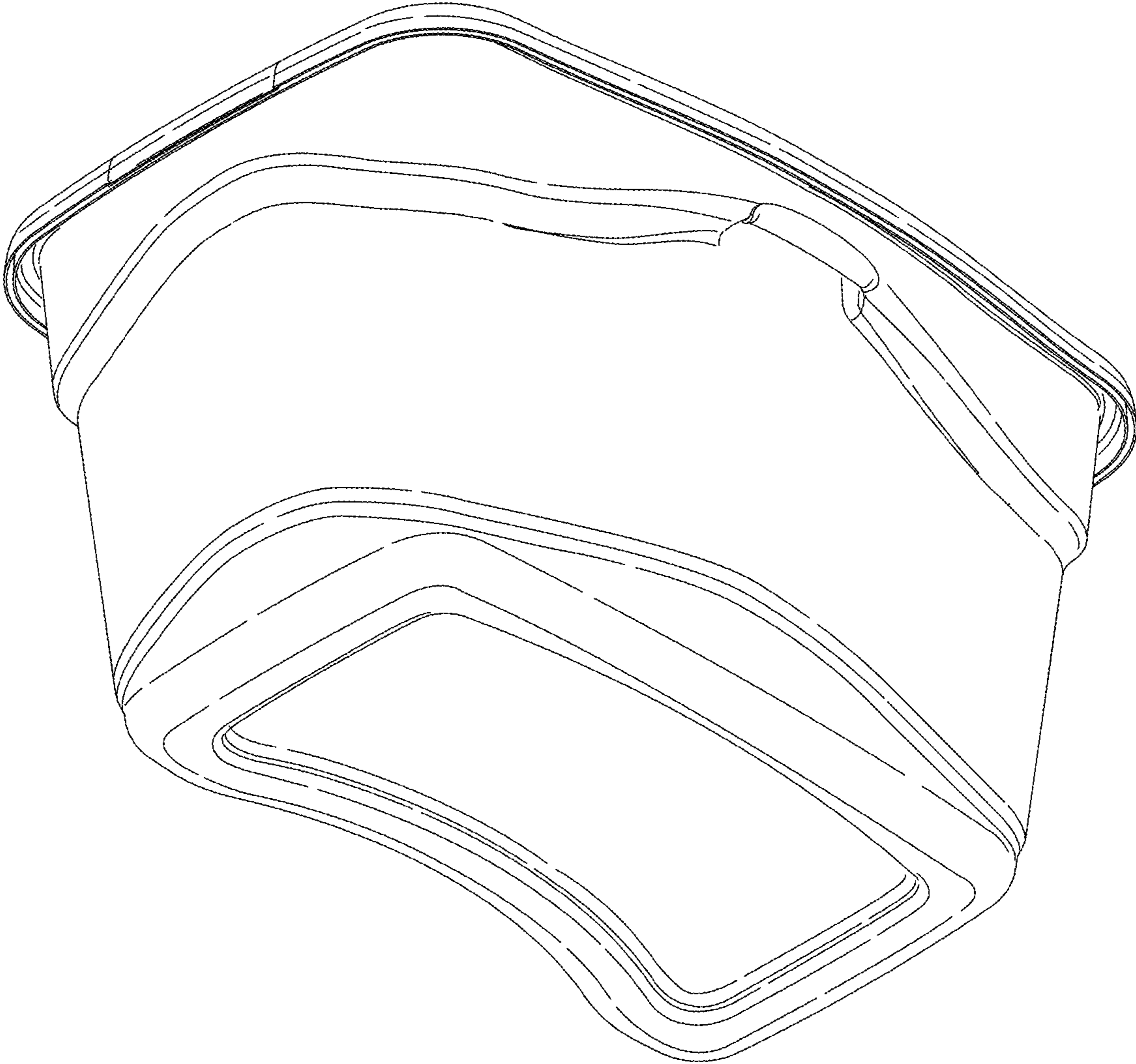


FIG. 7

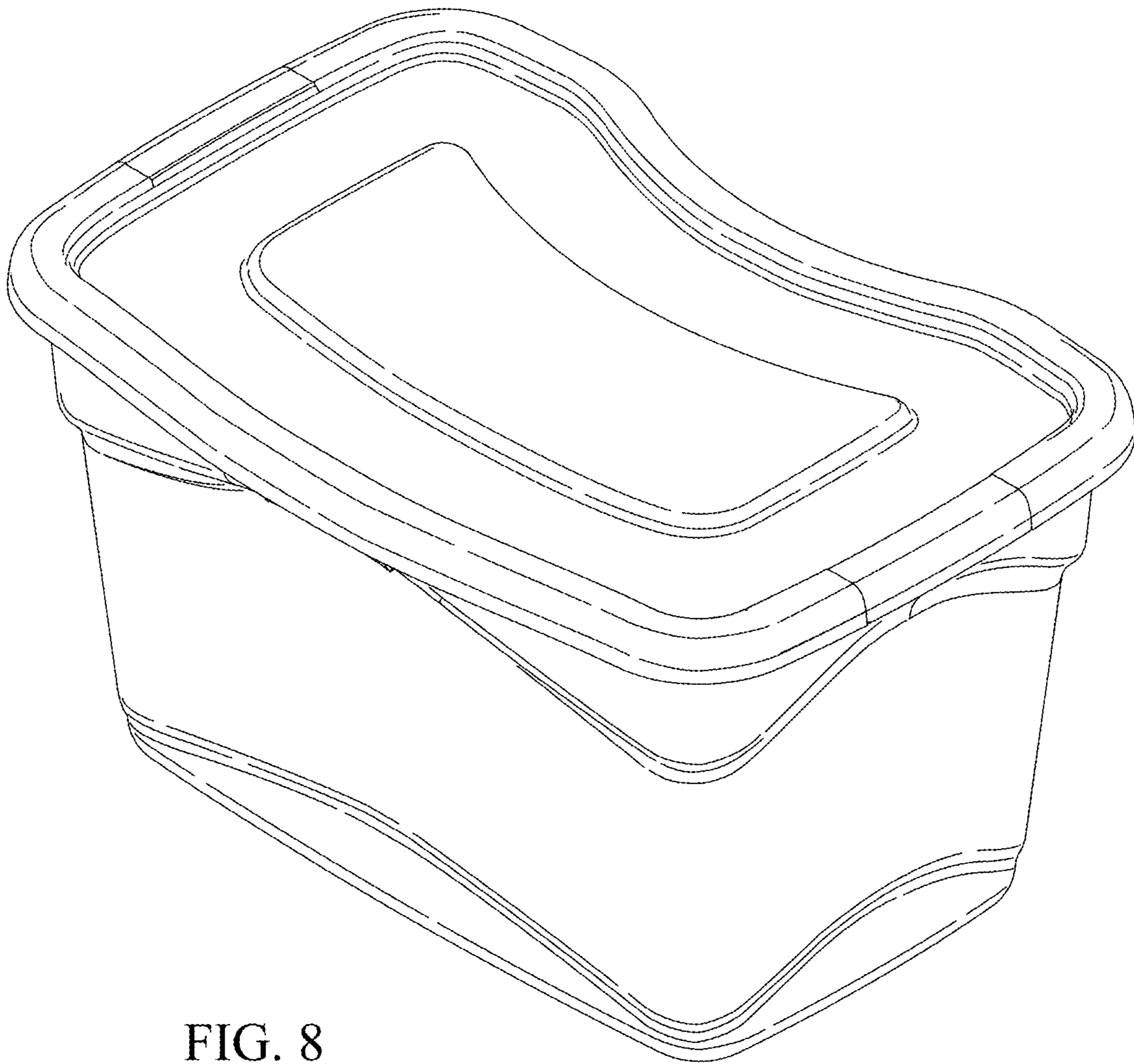


FIG. 8

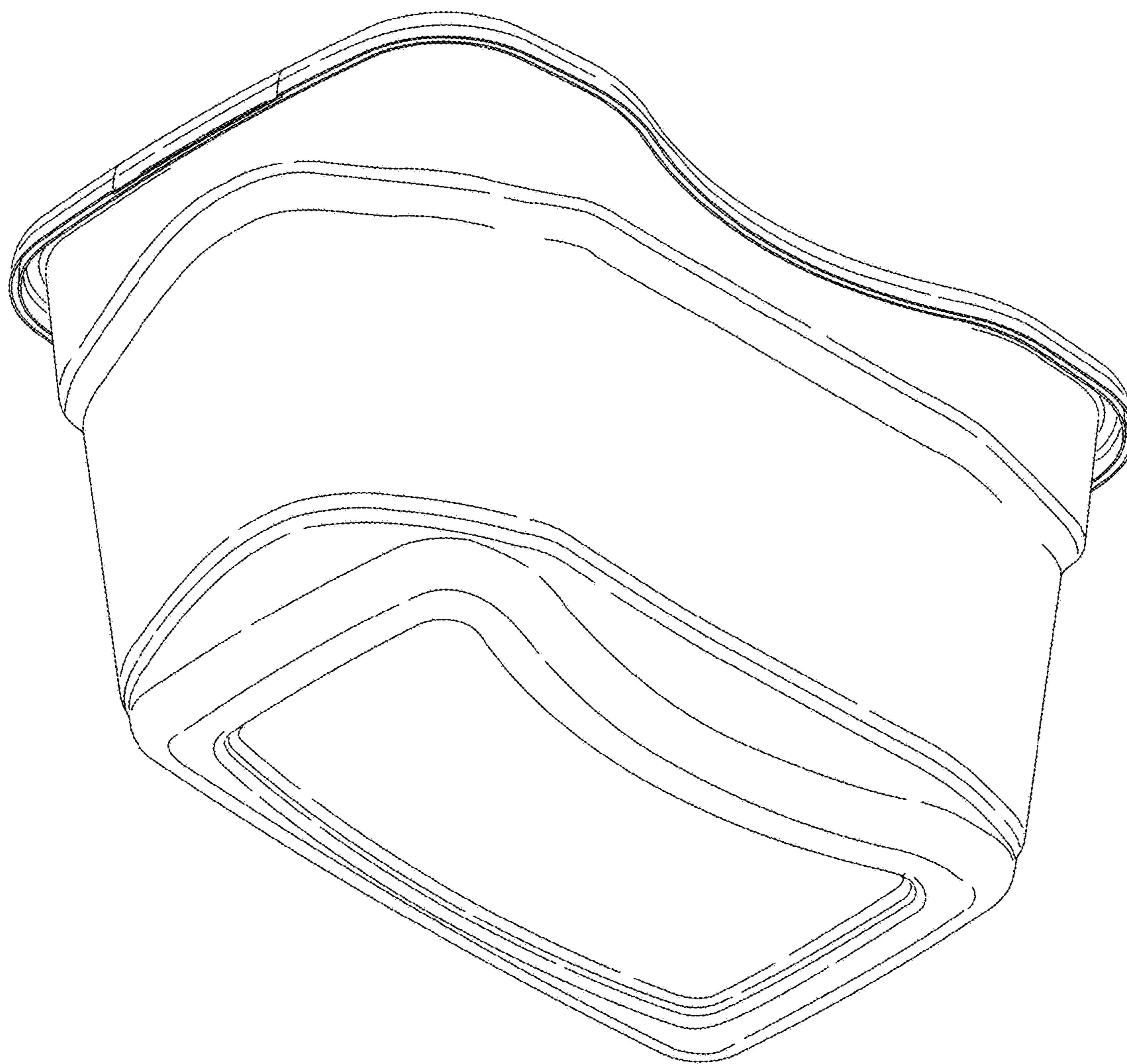


FIG. 9