



US00D785939S

(12) **United States Design Patent**
Cooper

(10) **Patent No.:** **US D785,939 S**

(45) **Date of Patent:** **** May 9, 2017**

(54) **CONTAINER FOR ELECTRONIC DEVICE**

DESCRIPTION

(71) Applicant: **Martin R. Cooper**, Cincinnati, OH
(US)

(72) Inventor: **Martin R. Cooper**, Cincinnati, OH
(US)

(**) Term: **14 Years**

(21) Appl. No.: **29/511,855**

(22) Filed: **Dec. 15, 2014**

(51) **LOC (10) Cl.** **03-01**

(52) **U.S. Cl.**
USPC **D3/295; D14/250**

(58) **Field of Classification Search**
USPC D3/273, 274, 275, 276, 281, 284, 292,
D3/294, 295, 296, 297, 299, 905, 901,
(Continued)

(56) **References Cited**

U.S. PATENT DOCUMENTS

D240,292 S * 6/1976 Beaumont D9/421
D355,299 S * 2/1995 Lowden D3/276
(Continued)

FOREIGN PATENT DOCUMENTS

CN 203368556 U 12/2013
CN 203368557 U 12/2013
(Continued)

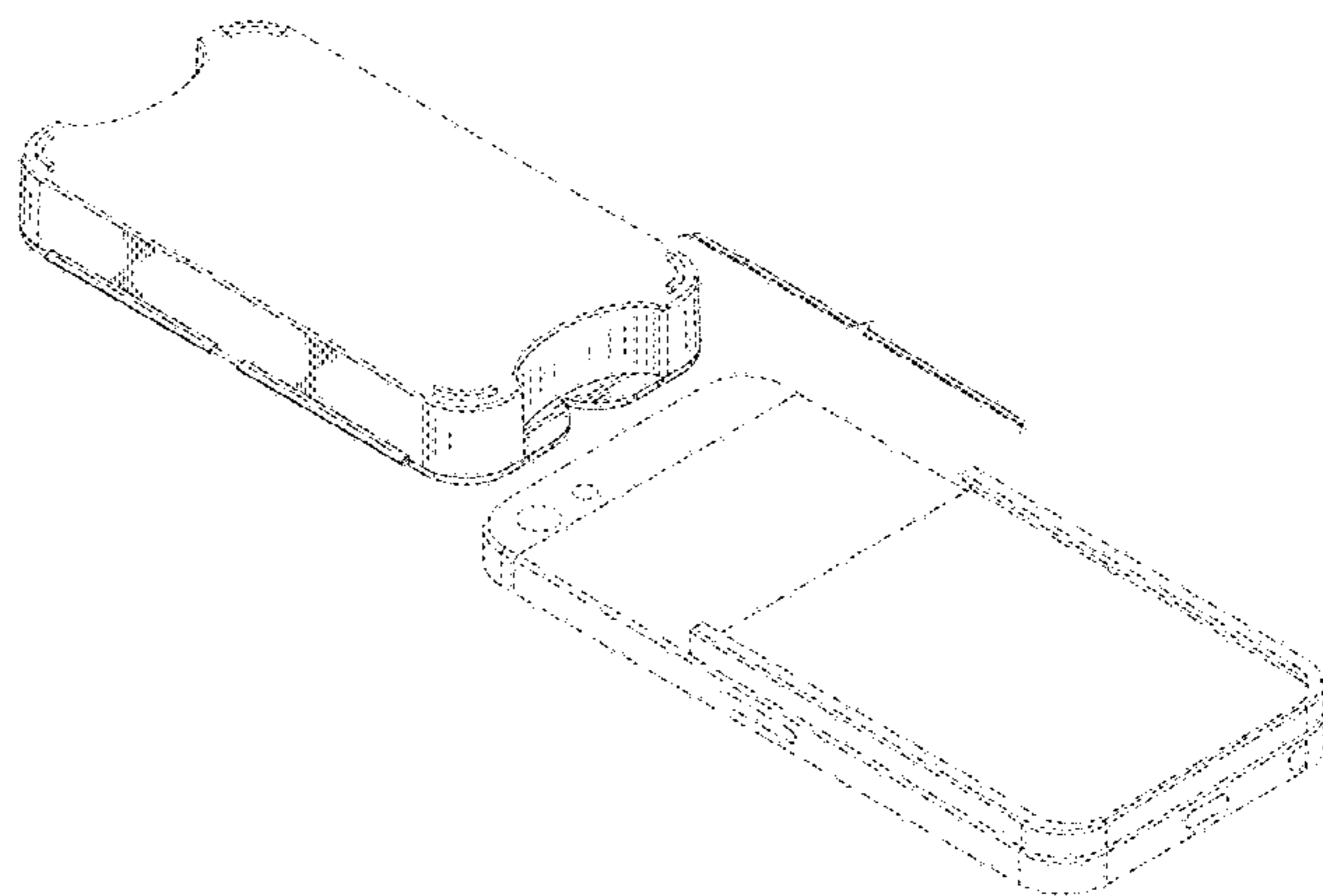
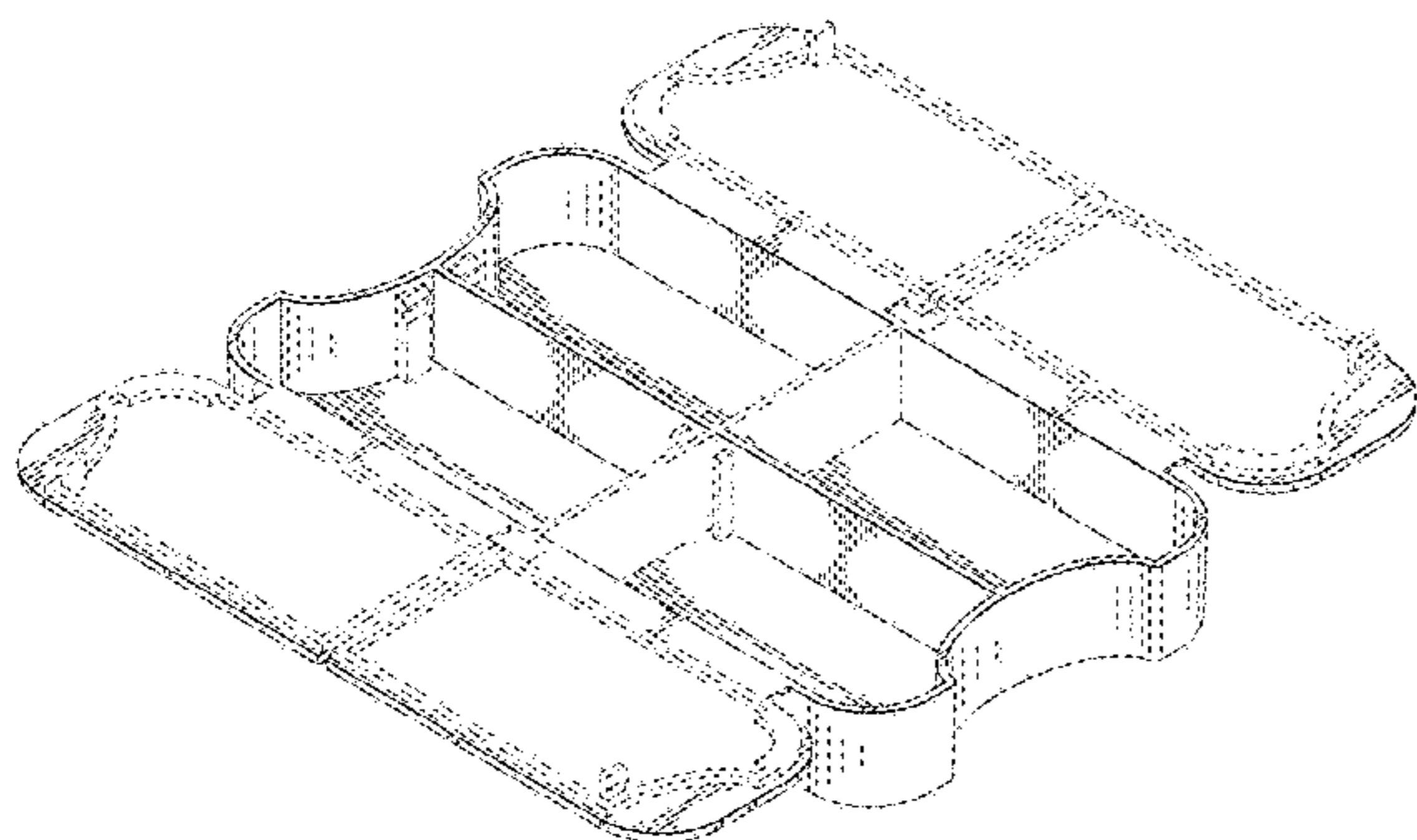
Primary Examiner — Sandra Snapp
Assistant Examiner — Holly E Thurman
(74) *Attorney, Agent, or Firm* — Ulmer & Berne LLP

(57) **CLAIM**

The ornamental design for a container for electronic device,
as shown and described.

FIG. 1 is an upper perspective view of a first embodiment of a container for electronic device having cover portions shown in an opened position;
FIG. 2 is a lower perspective view of the container for electronic device of FIG. 1;
FIG. 3 is a top plan view of the container for electronic device of FIG. 1;
FIG. 4 is a right side elevation view of the container for electronic device of FIG. 1, the left side elevation view being identical thereto;
FIG. 5 is a bottom plan view of the container for electronic device of FIG. 1;
FIG. 6 is a front elevation view of the container for electronic device of FIG. 1, the rear elevation view being identical thereto;
FIG. 7 is a perspective view of the container for electronic device of FIG. 1, but with the cover portions shown in a closed position and the container for electronic device shown in association with a base unit of a mobile phone;
FIG. 8 is an upper perspective view of a second embodiment of a container for electronic device having cover portions shown in an opened position;
FIG. 9 is a lower perspective view of the container for electronic device of FIG. 8;
FIG. 10 is a top plan view of the container for electronic device of FIG. 8;
FIG. 11 is a right side elevation view of the container for electronic device of FIG. 8, the left side elevation view being identical thereto;
FIG. 12 is a bottom plan view of the container for electronic device of FIG. 8;
FIG. 13 is a front elevation view of the container for electronic device of FIG. 8, the rear elevation view being identical thereto; and,
FIG. 14 is a perspective view of the container for electronic device of FIG. 8, but with the cover portions shown in a closed position and the container shown in association with a base unit of a mobile phone.
The broken lines in the figures illustrate unclaimed portions of the container.

1 Claim, 10 Drawing Sheets



(58) **Field of Classification Search**
 USPC D3/903, 205, 203.1, 279, 282, 242, 301,
 D3/302; D9/418, 420–423; D28/76–78,
 D28/82–83; D99/28, 34; D14/250
 See application file for complete search history.

(56) **References Cited**

U.S. PATENT DOCUMENTS

D394,347 S	5/1998	Girvetz	
6,070,717 A *	6/2000	Philipson	A47F 3/14 206/278
D454,857 S	3/2002	Carava, Jr.	
6,501,643 B1	12/2002	Sayers et al.	
D485,834 S	1/2004	Davetas	
D488,928 S *	4/2004	Foley	D3/283
6,788,919 B2	9/2004	Watanabe	
D501,304 S	2/2005	Sterns	
D501,305 S	2/2005	Sterns	
D501,306 S	2/2005	Sterns	
D501,307 S	2/2005	Sterns	
7,146,184 B1	12/2006	Tsitsiashvili	
7,431,161 B2	10/2008	Carlino	
D582,405 S *	12/2008	Andre	D3/299
D631,246 S	1/2011	Boettner	

D649,869 S *	12/2011	Gibson	D9/421
D676,239 S *	2/2013	Benoit	D3/294
8,418,852 B2	4/2013	Ziamba	
D688,655 S	8/2013	Rey-Hipolito et al.	
8,504,127 B2	8/2013	Altschul et al.	
8,602,039 B1	12/2013	Gindi	
8,759,675 B2	6/2014	Rajeswaran et al.	
D729,221 S *	5/2015	Wardy	D14/250
D740,559 S *	10/2015	Steele	D3/281
D755,641 S *	5/2016	O'Neill	D9/721
D759,004 S *	6/2016	Stevinson	D14/250
D763,683 S *	8/2016	O'Neill	D9/432
2005/0084631 A1	4/2005	Anderson	
2006/0022806 A1	2/2006	Auerbach	
2010/0122439 A1	5/2010	Britton et al.	
2010/0230301 A1	9/2010	Fellig	
2011/0077061 A1	3/2011	Danze et al.	
2012/0160716 A1	6/2012	Chan et al.	
2013/0199948 A1	8/2013	Lebauer	
2014/0066142 A1	3/2014	Gipson	

FOREIGN PATENT DOCUMENTS

KR	20080036823 A	4/2008
WO	2014015293 A1	1/2014

* cited by examiner

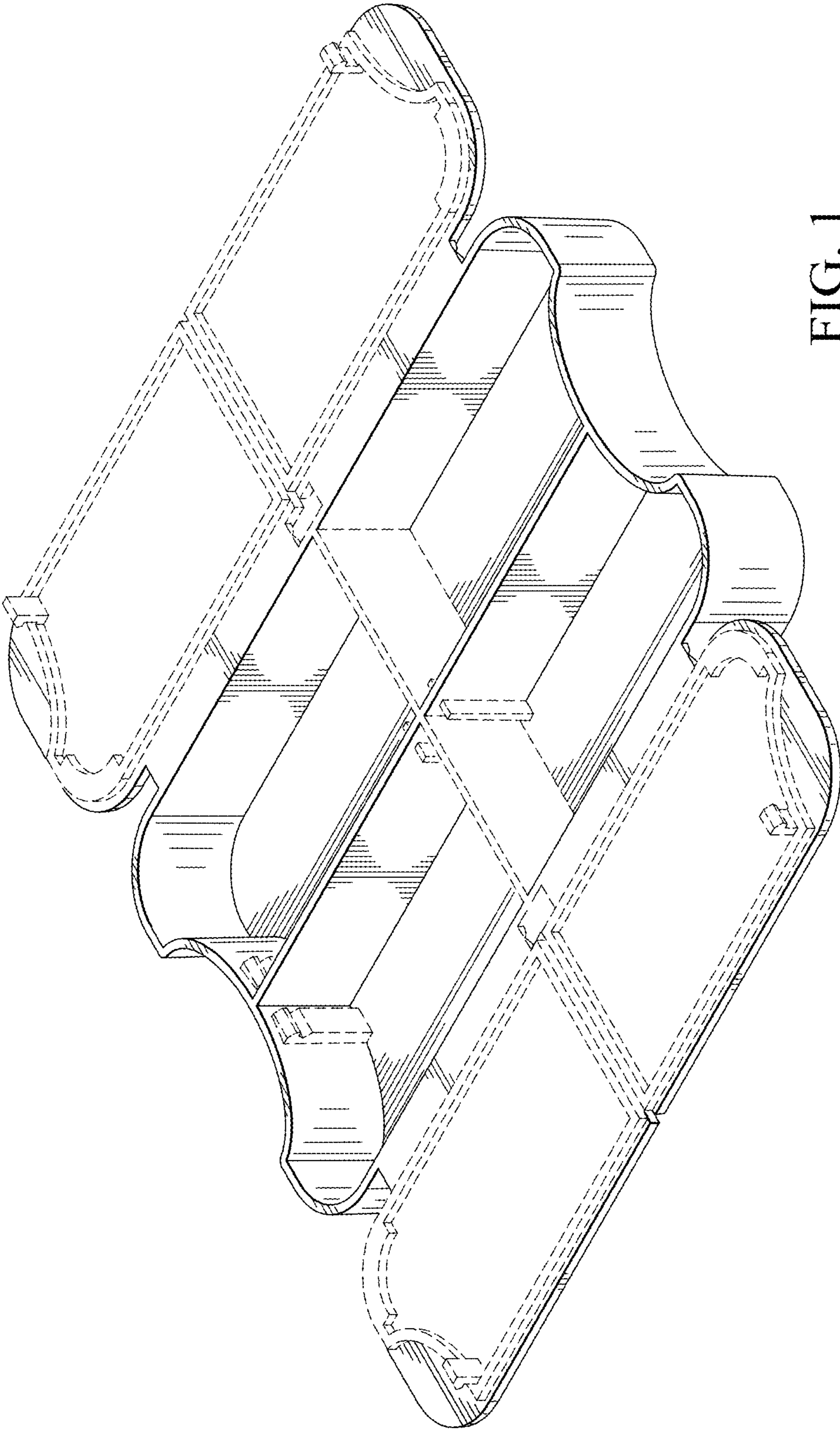


FIG. 1

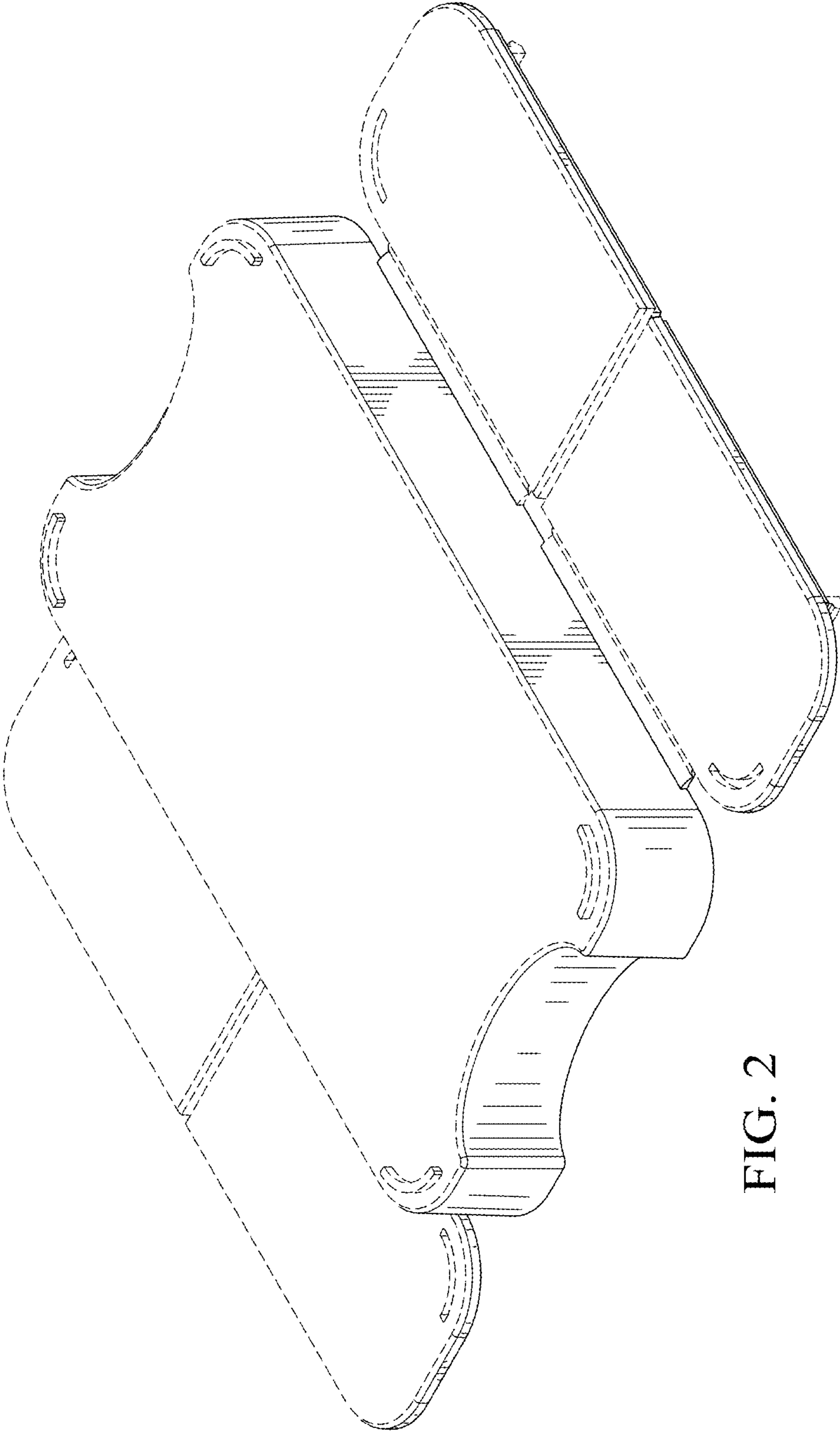


FIG. 2

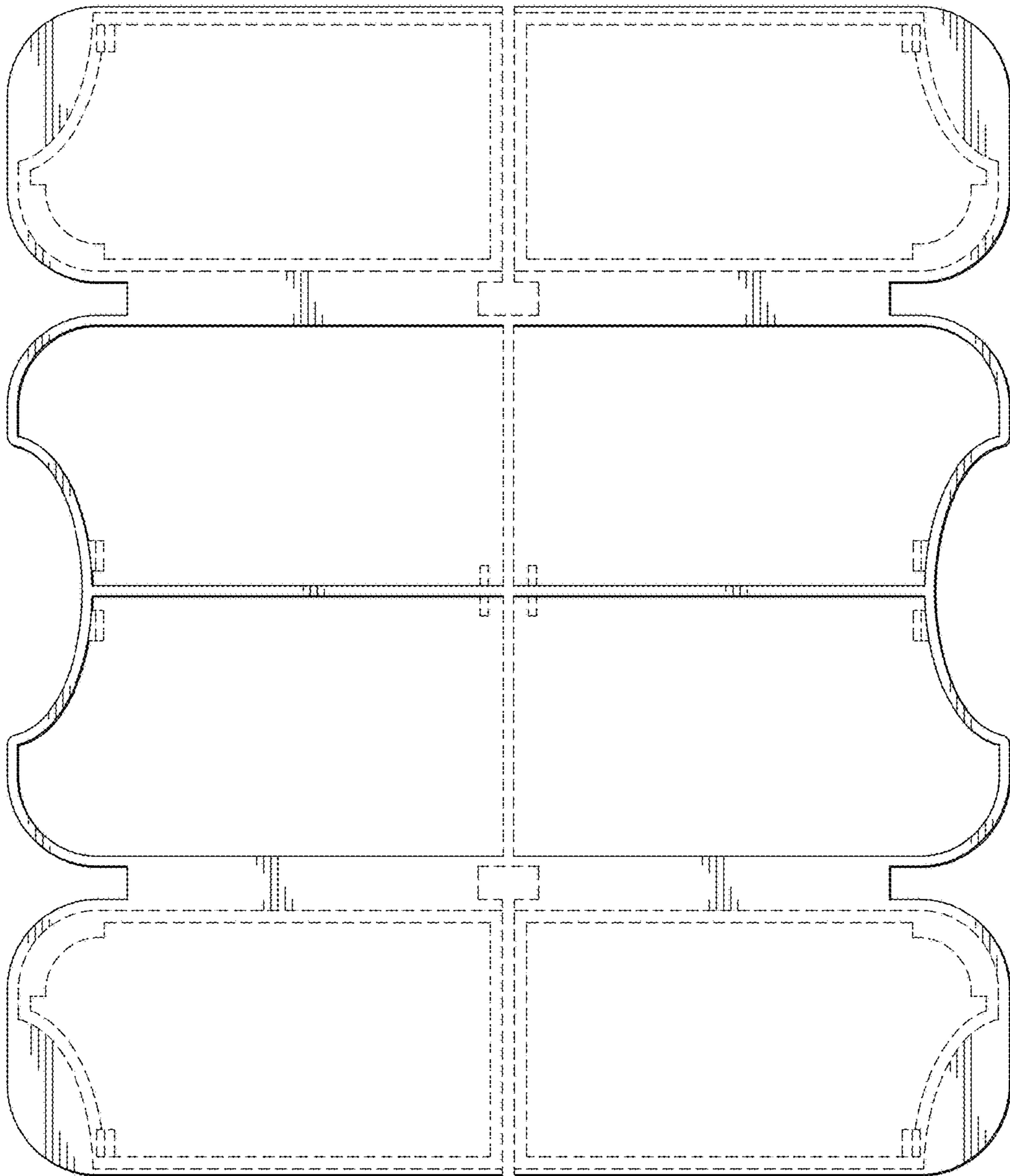


FIG. 3

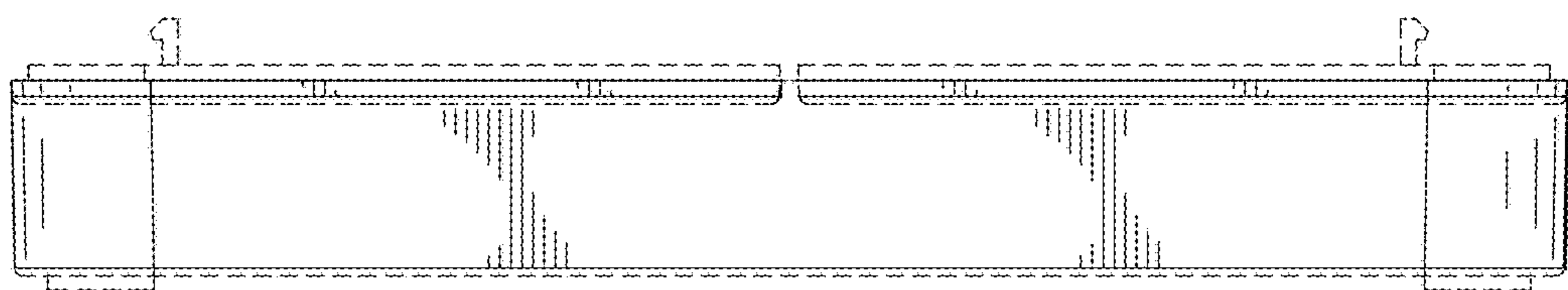


FIG. 4

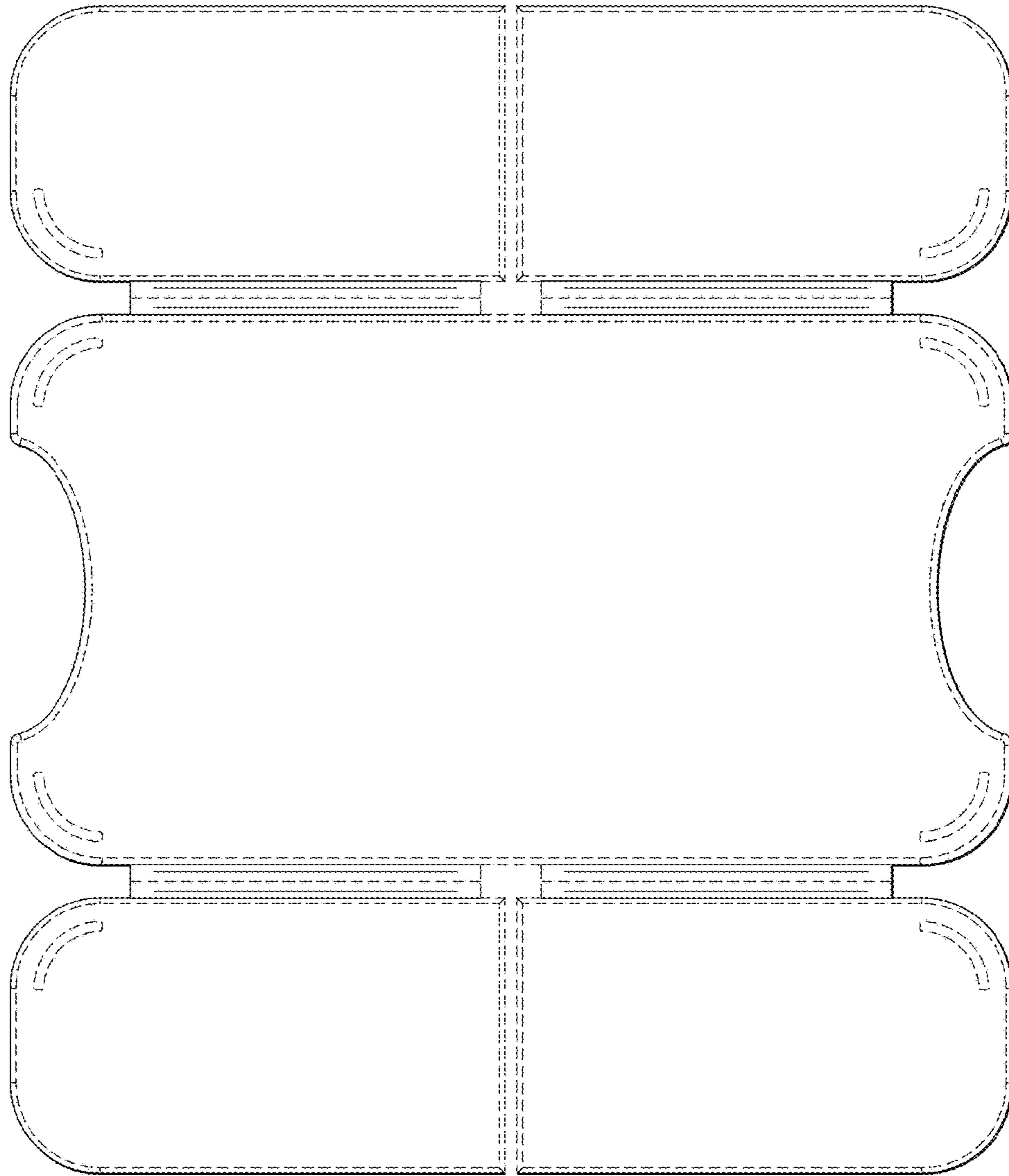


FIG. 5

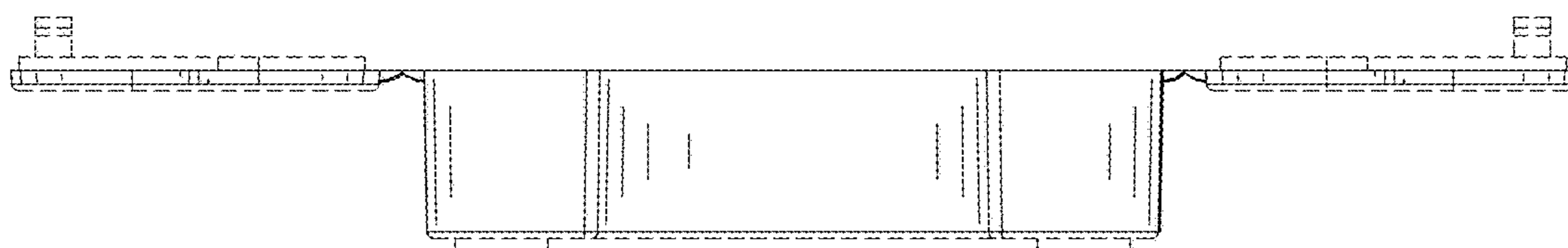
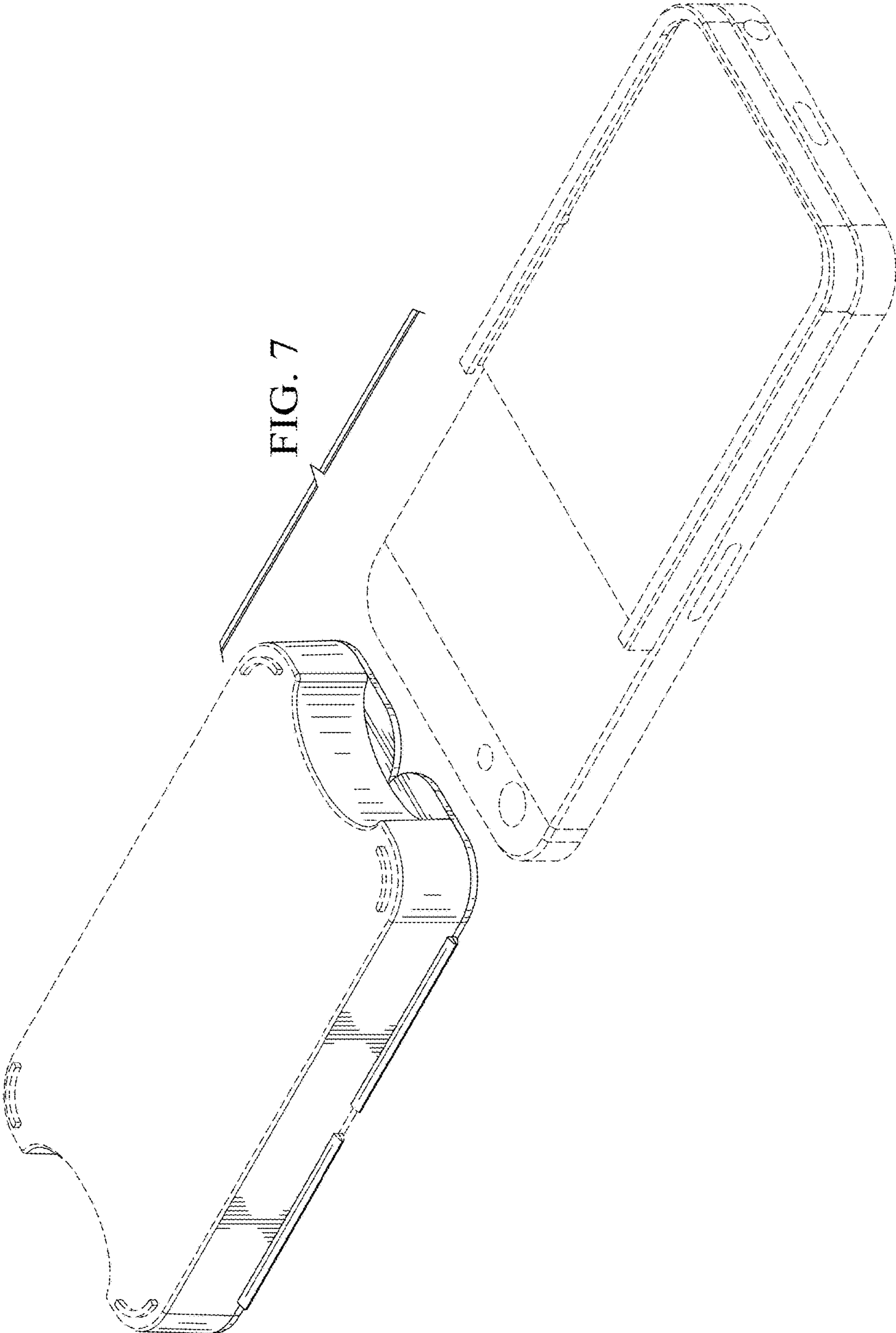


FIG. 6



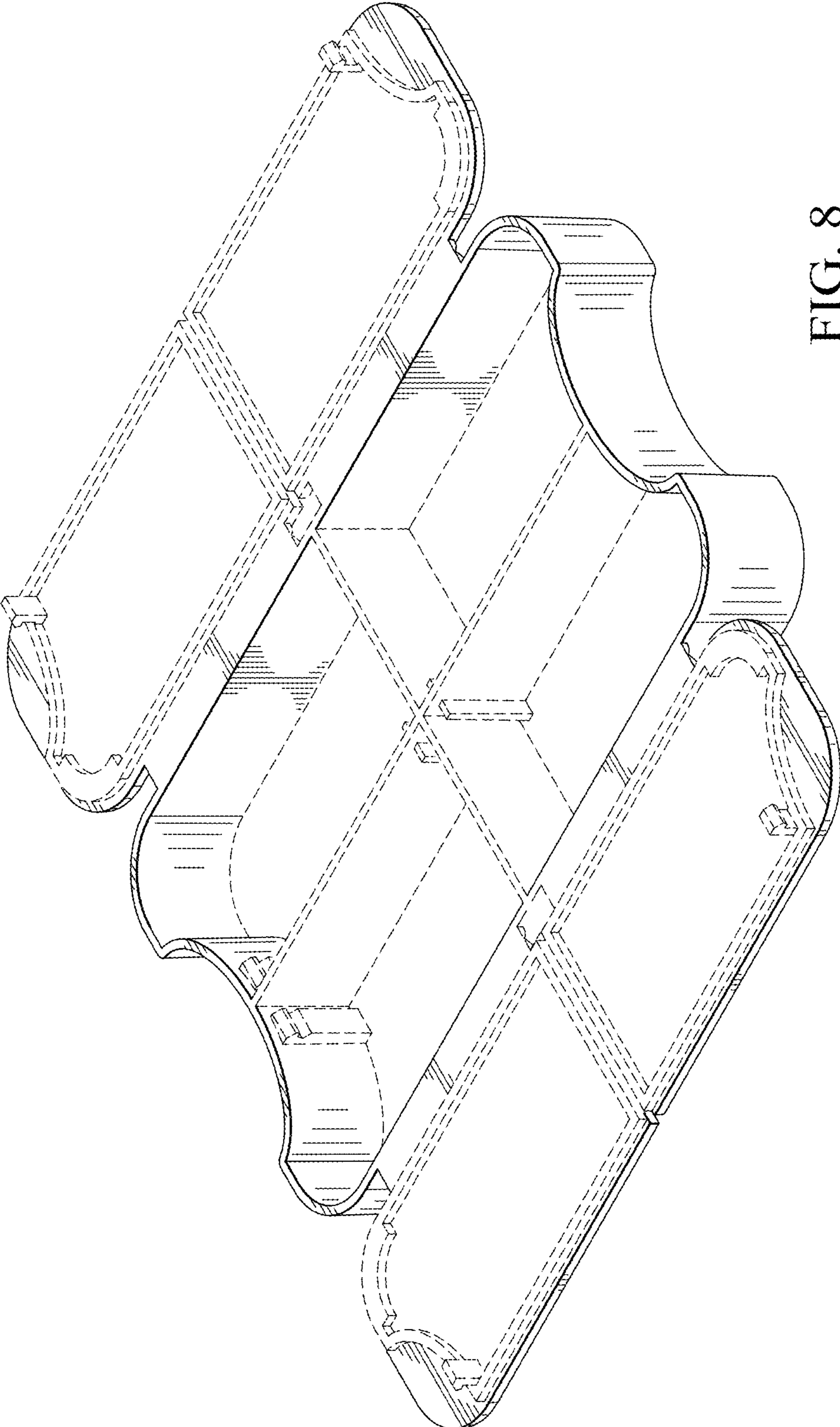


FIG. 8

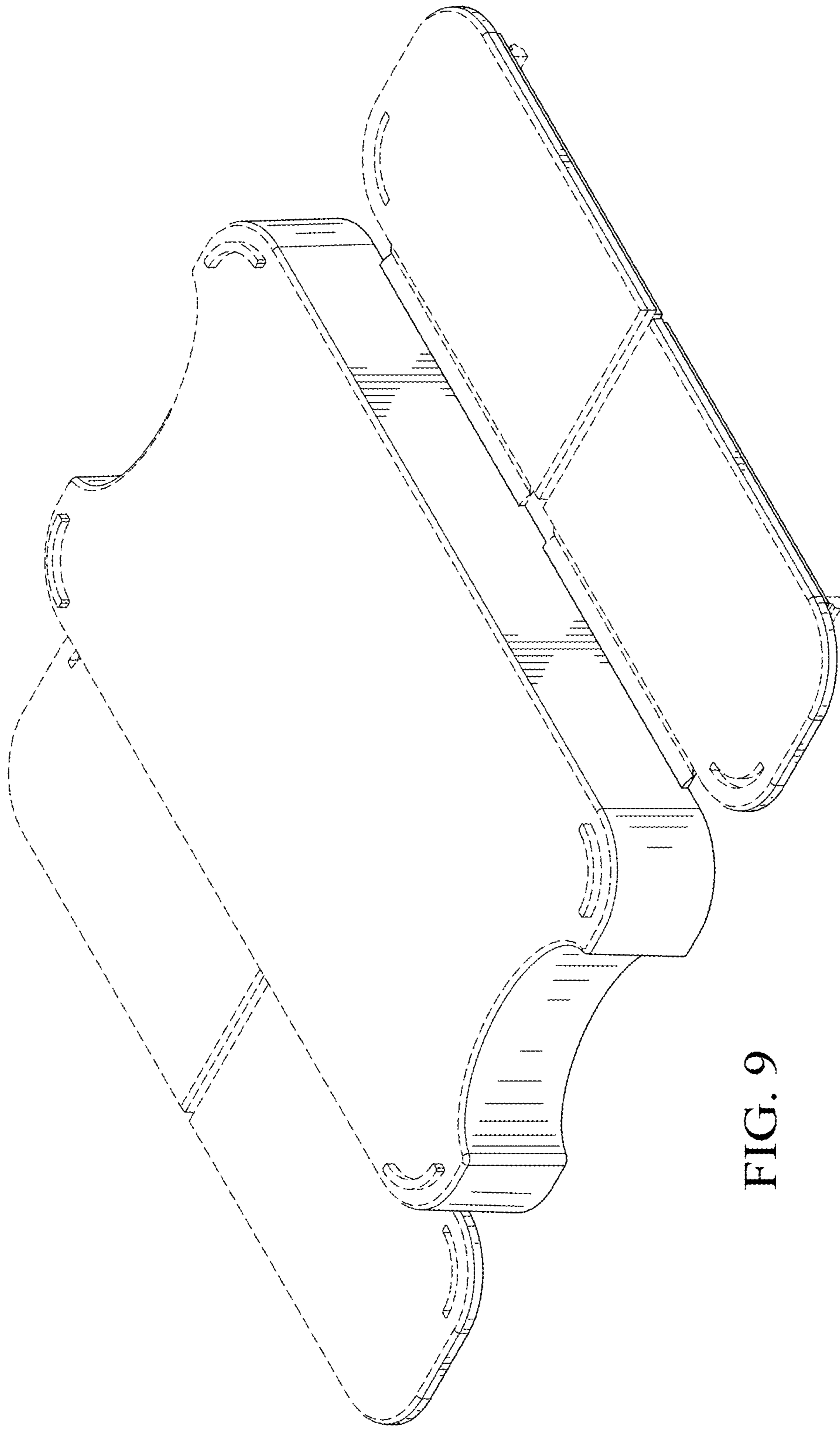


FIG. 9

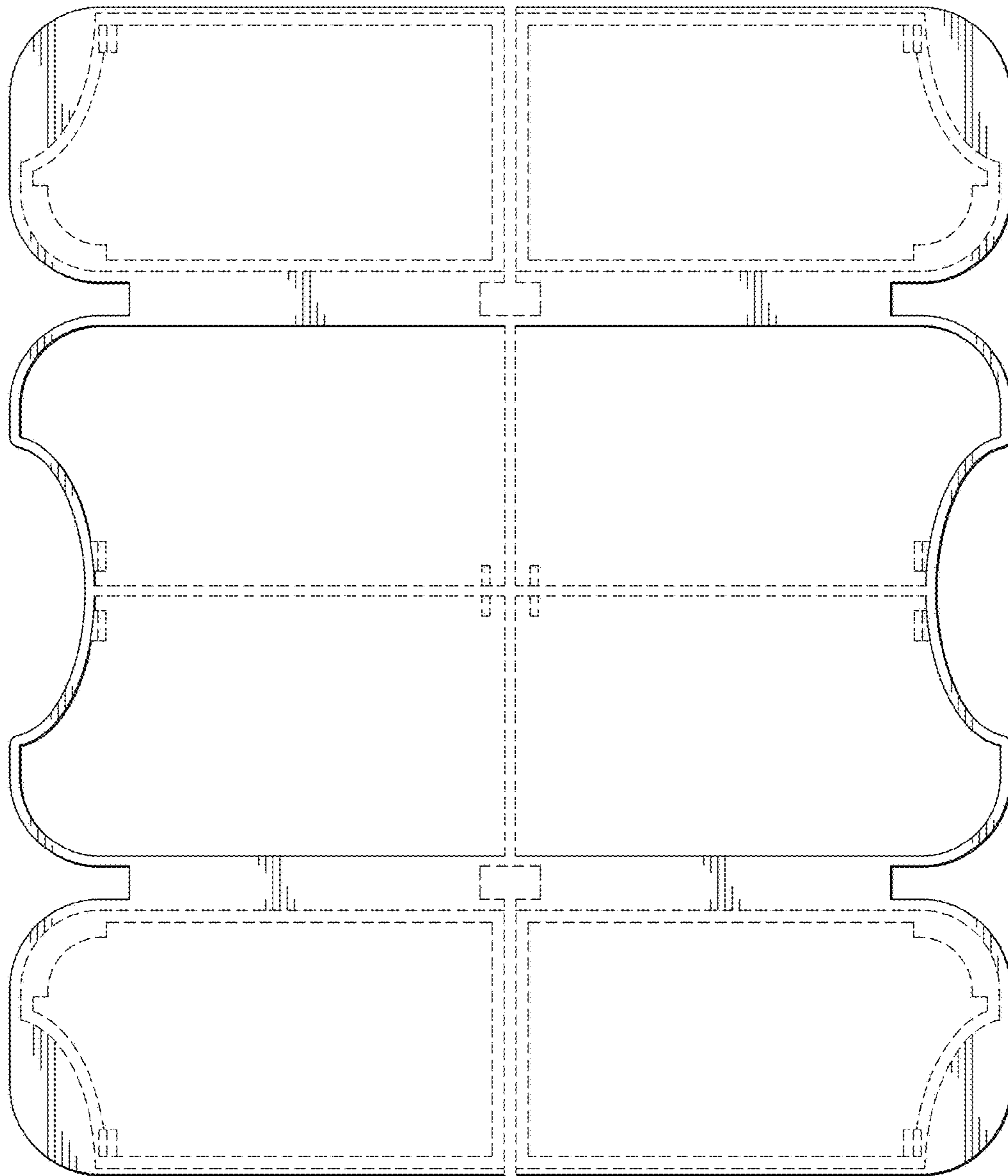


FIG. 10

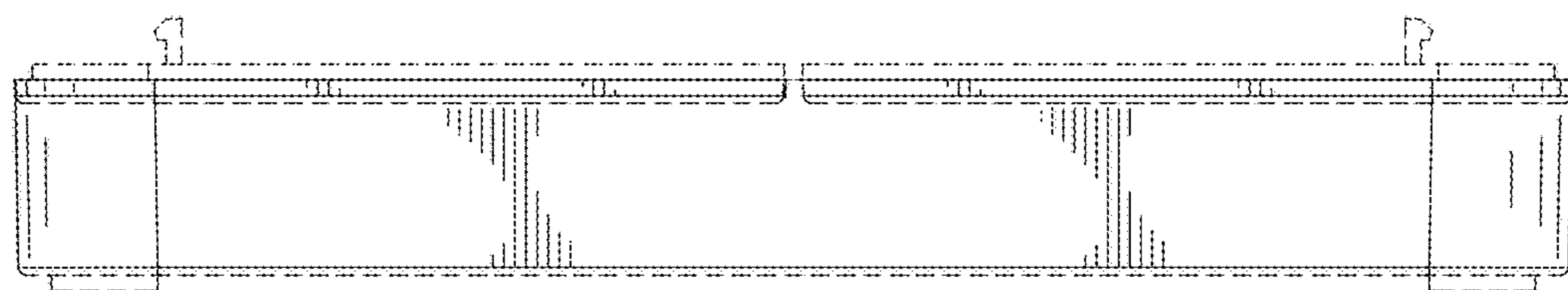


FIG. 11

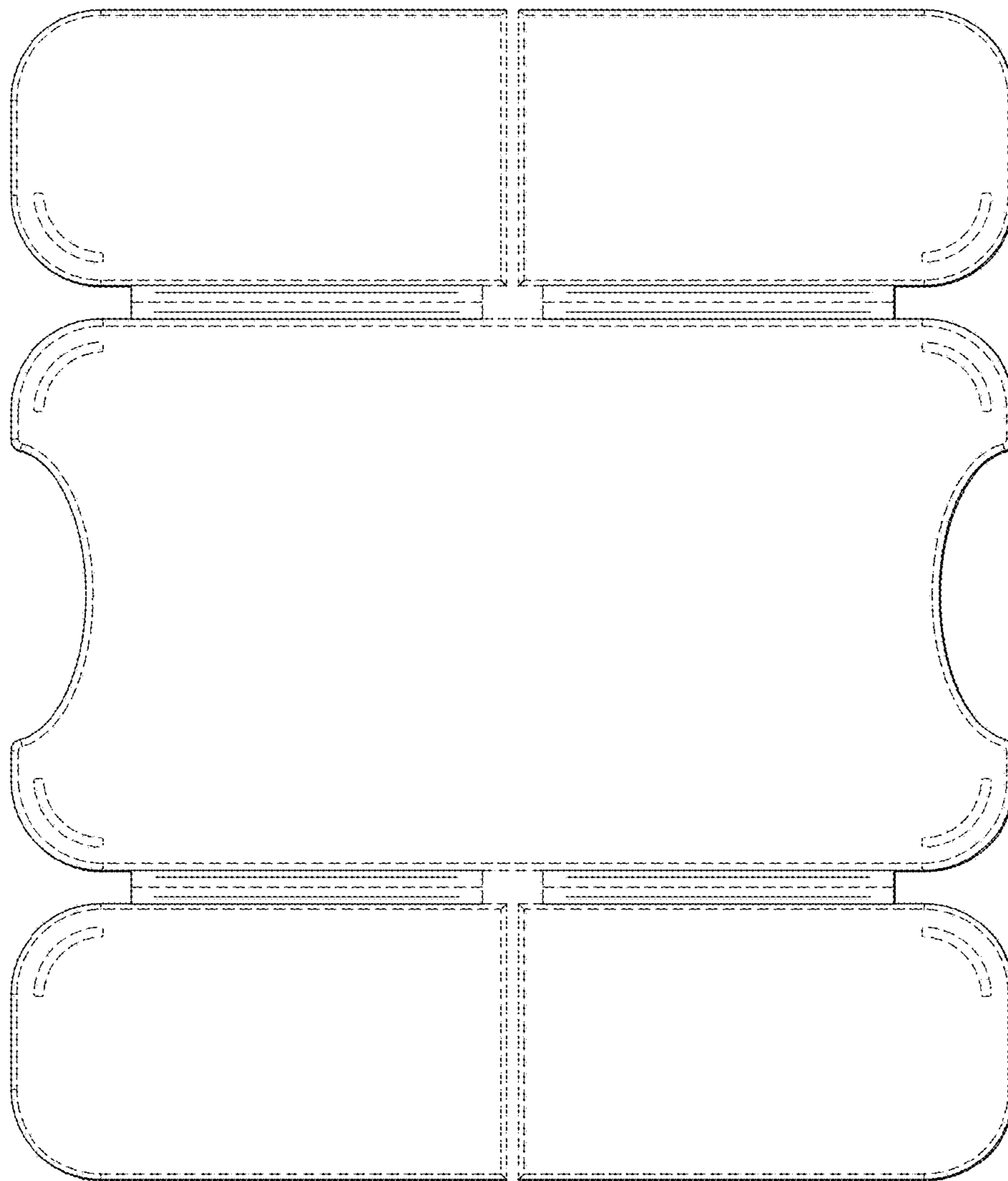


FIG. 12

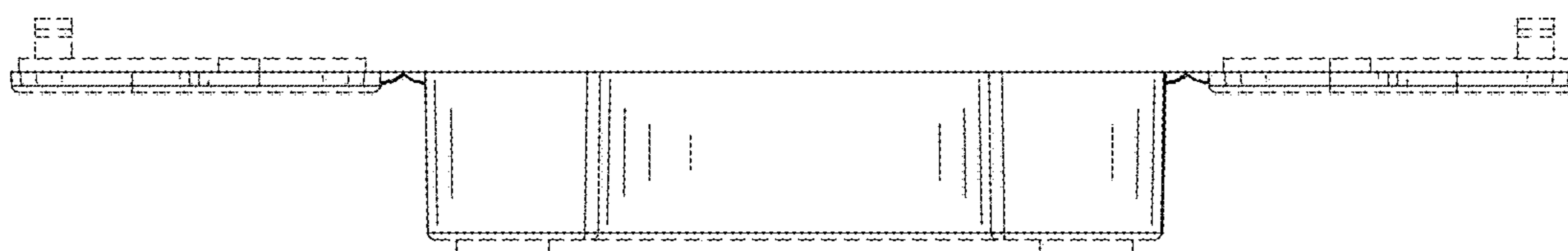


FIG. 13

