



US00D785938S

(12) **United States Design Patent** (10) **Patent No.:** **US D785,938 S**
Ou (45) **Date of Patent:** **** May 9, 2017**

(54) **TOOL BOX**
(71) Applicant: **Yu-Hua Ou**, Taichung (TW)
(72) Inventor: **Yu-Hua Ou**, Taichung (TW)
(**) Term: **15 Years**
(21) Appl. No.: **29/566,189**
(22) Filed: **May 27, 2016**
(51) **LOC (10) Cl.** **03-01**
(52) **U.S. Cl.**
USPC **D3/282; D3/905**
(58) **Field of Classification Search**
USPC D3/273, 276, 279, 281, 282, 283, 284,
D3/291, 294, 295, 296, 297, 905, 900
CPC B25H 3/00; B25H 3/003; B25H 3/02
See application file for complete search history.

D754,436 S * 4/2016 Ou D3/282
2012/0152944 A1* 6/2012 Vilkomirski B25H 3/022
220/4.28
2015/0165617 A1* 6/2015 Chern B25H 3/02
206/374
2016/0052125 A1* 2/2016 Steele B25H 3/003
206/372

* cited by examiner

Primary Examiner — Jennifer Rivard
Assistant Examiner — April Rivas
(74) *Attorney, Agent, or Firm* — Muncy, Geissler, Olds & Lowe, P.C.

(57) **CLAIM**

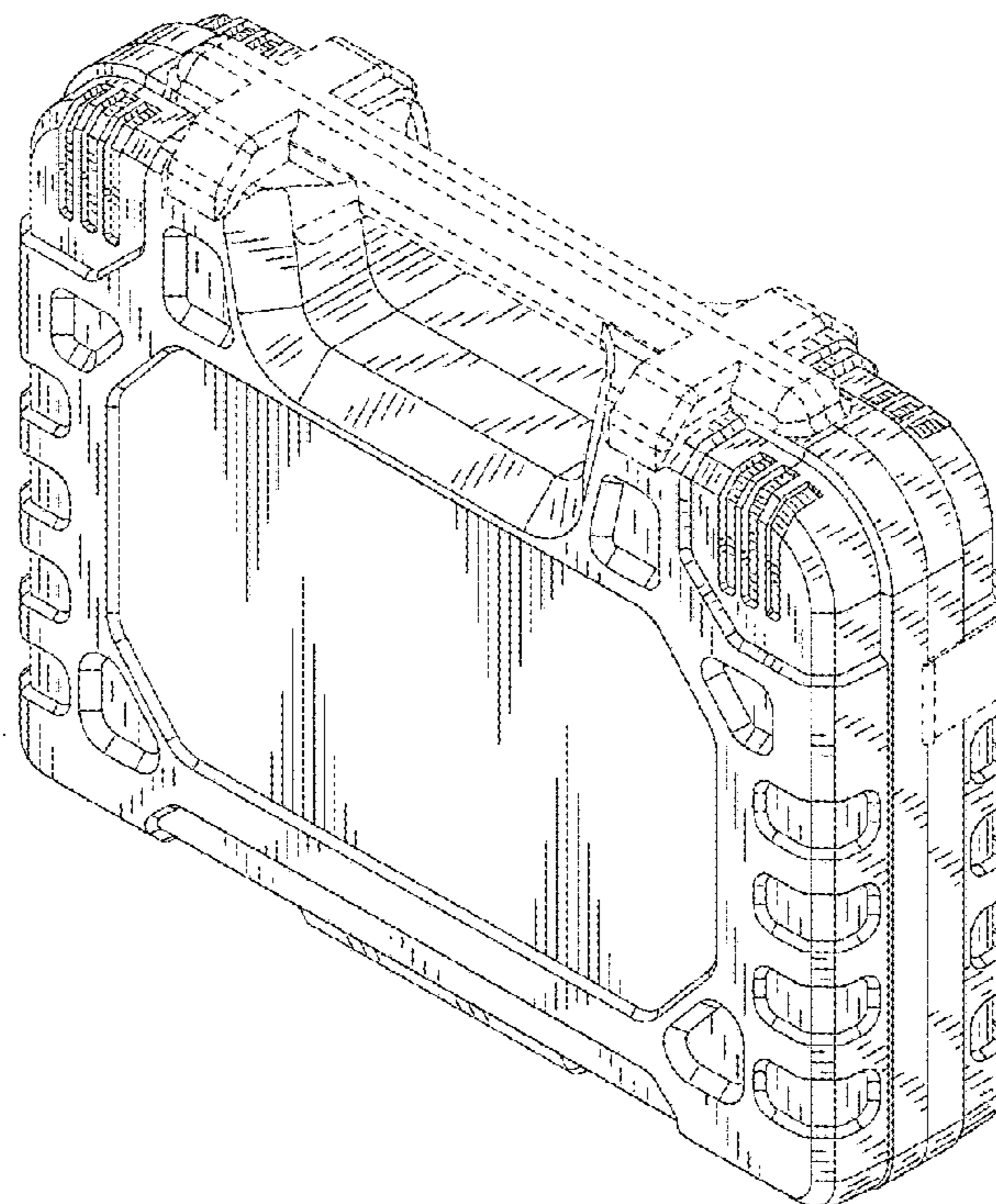
I claim the ornamental design for a tool box, as shown and described.

DESCRIPTION

FIG. 1 is a right, front, top perspective view of a tool box showing my new design;
FIG. 2 is a front elevational view thereof;
FIG. 3 is a rear elevational view thereof;
FIG. 4 is a left side view thereof;
FIG. 5 is a right side view thereof;
FIG. 6 is a top plan view thereof;
FIG. 7 is a bottom plan view thereof; and,
FIG. 8 is a right, rear, bottom perspective view.
The broken lines in the drawings illustrate portions of the tool box which form no part of the claimed design.

(56) **References Cited**
U.S. PATENT DOCUMENTS
5,394,966 A * 3/1995 Chow A45C 13/1084
190/119
D404,916 S * 2/1999 Dickinson D3/281
D453,624 S * 2/2002 Itzkovitch D3/276
D568,046 S * 5/2008 Hsu D3/282
D569,617 S * 5/2008 Lin D3/282
D600,015 S * 9/2009 Wenchel D3/294
D633,294 S * 3/2011 Jamison D3/282
D639,059 S * 6/2011 Fraiman D3/282
D703,437 S * 4/2014 Bar-Erez D3/282
D719,352 S * 12/2014 Shitrit D3/282
D725,388 S * 3/2015 Cole D3/282
D753,394 S * 4/2016 Brunner D3/276

1 Claim, 6 Drawing Sheets



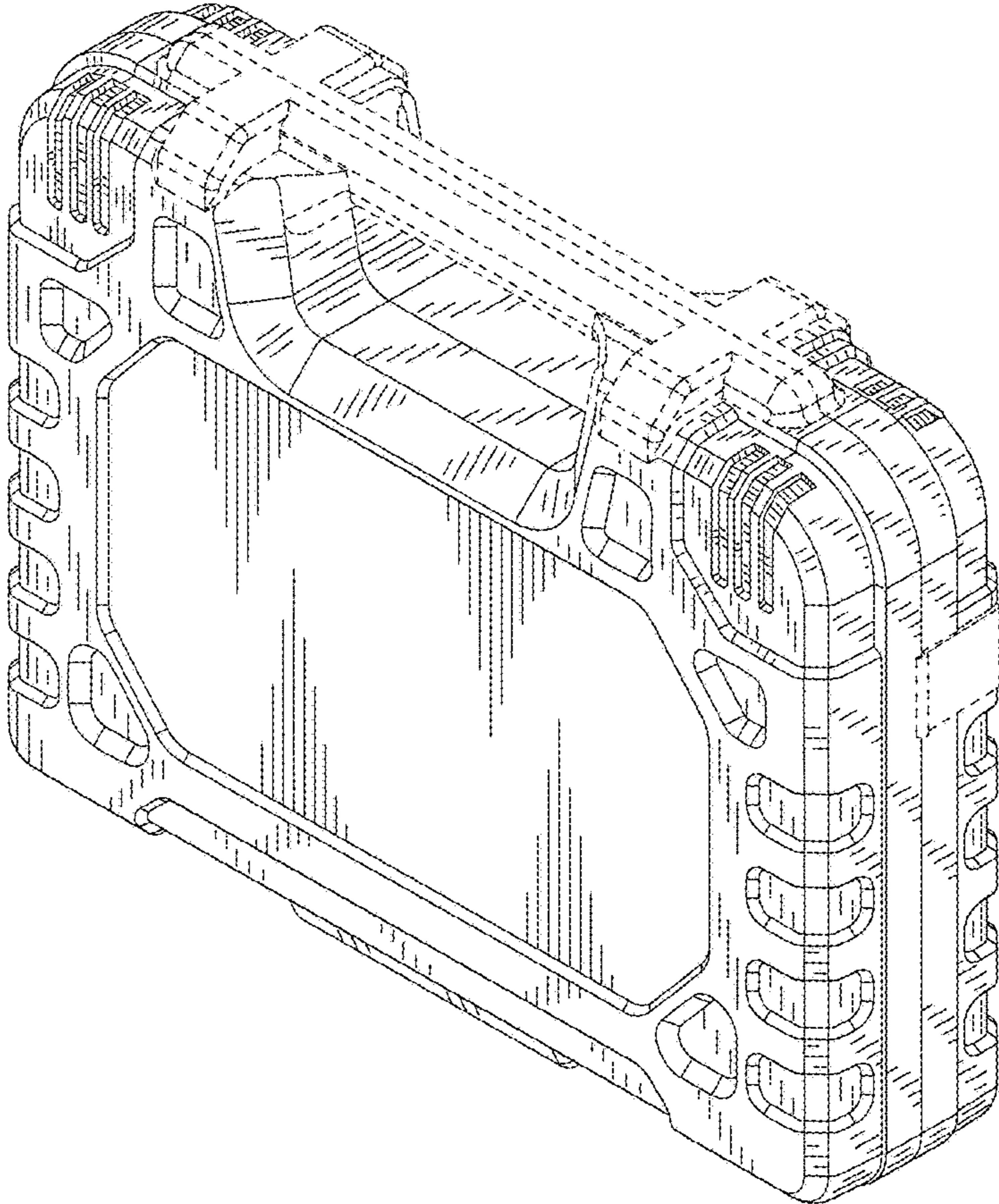


FIG. 1

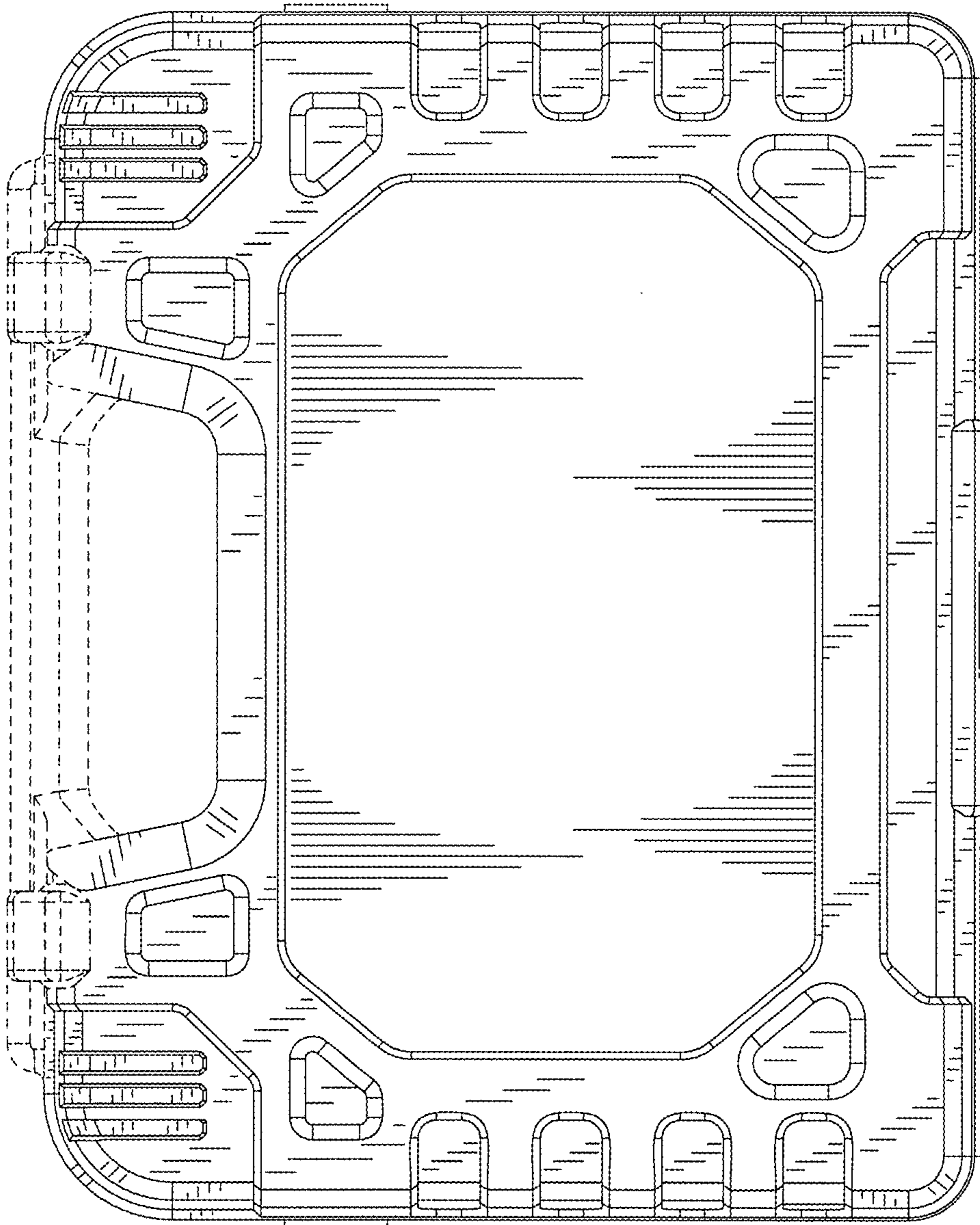


FIG. 2

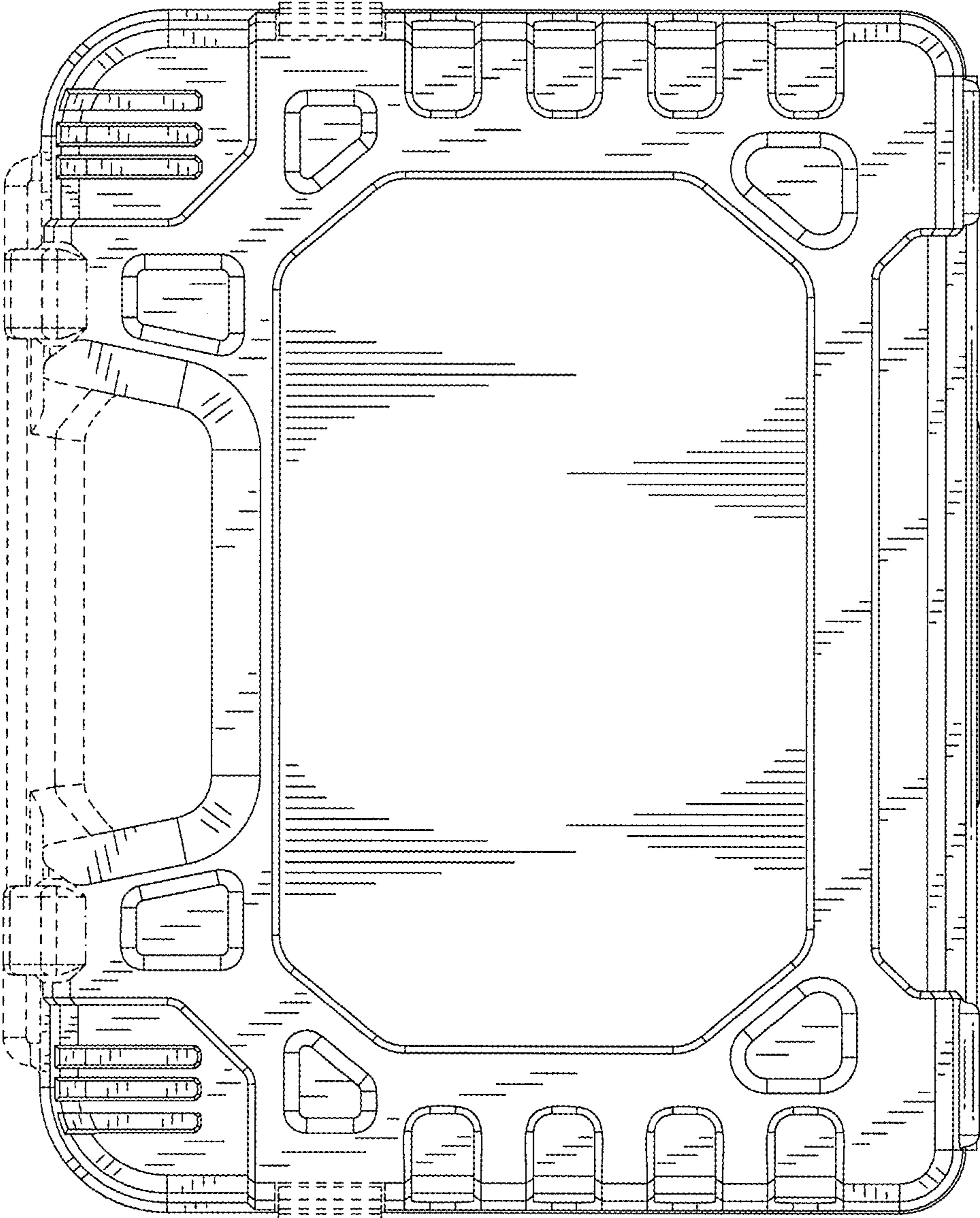


FIG. 3

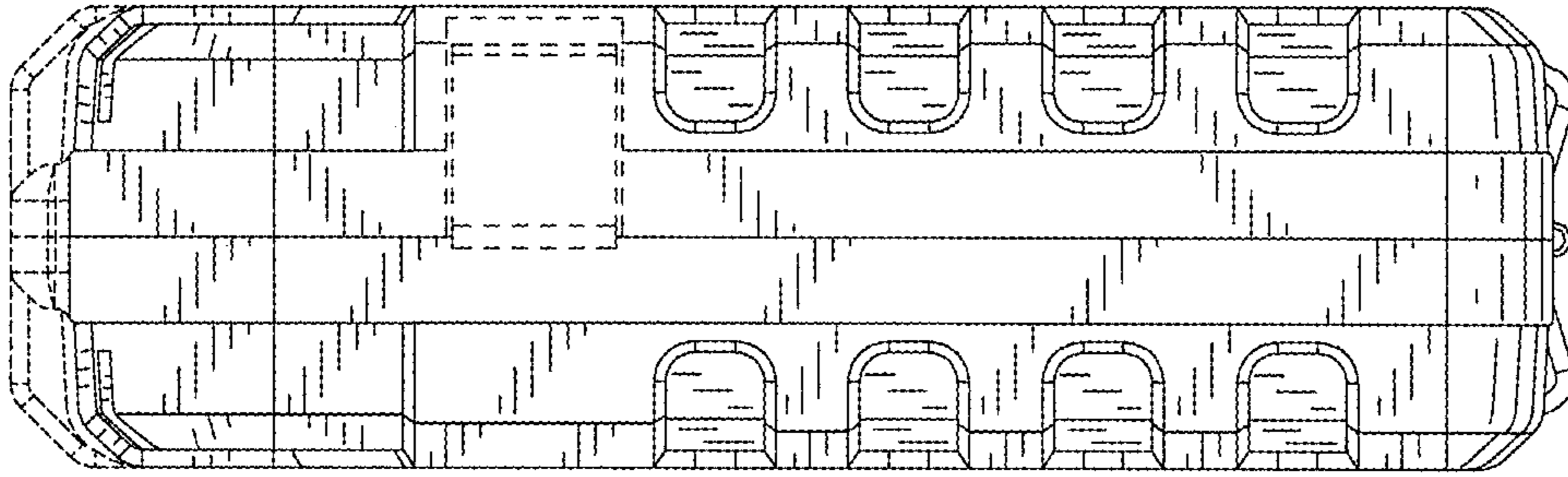


FIG. 5

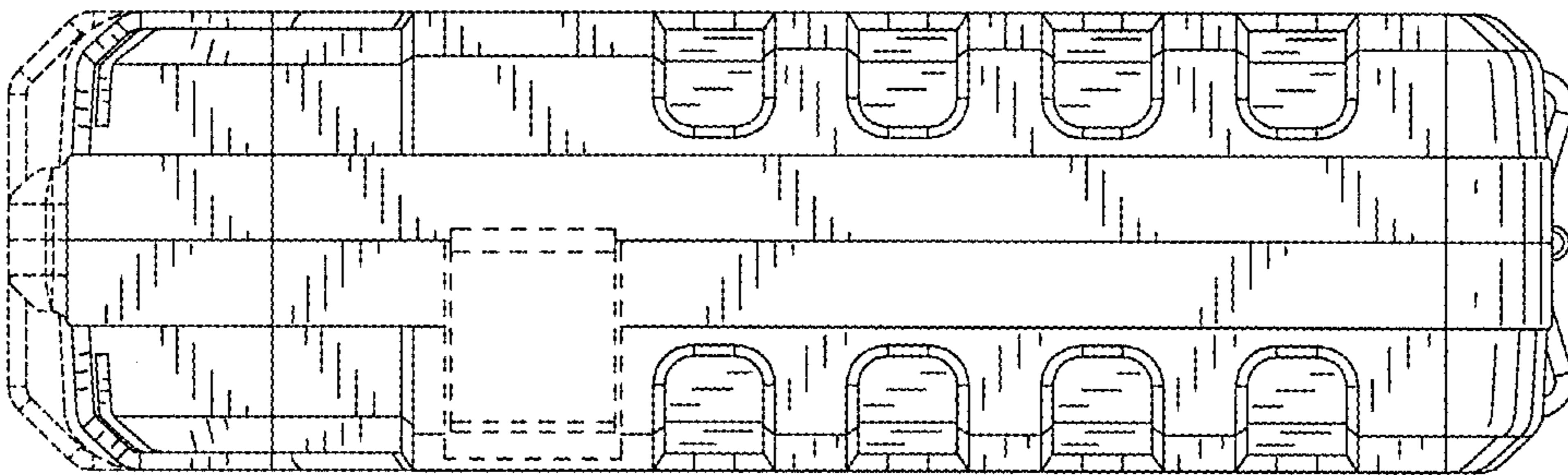


FIG. 4

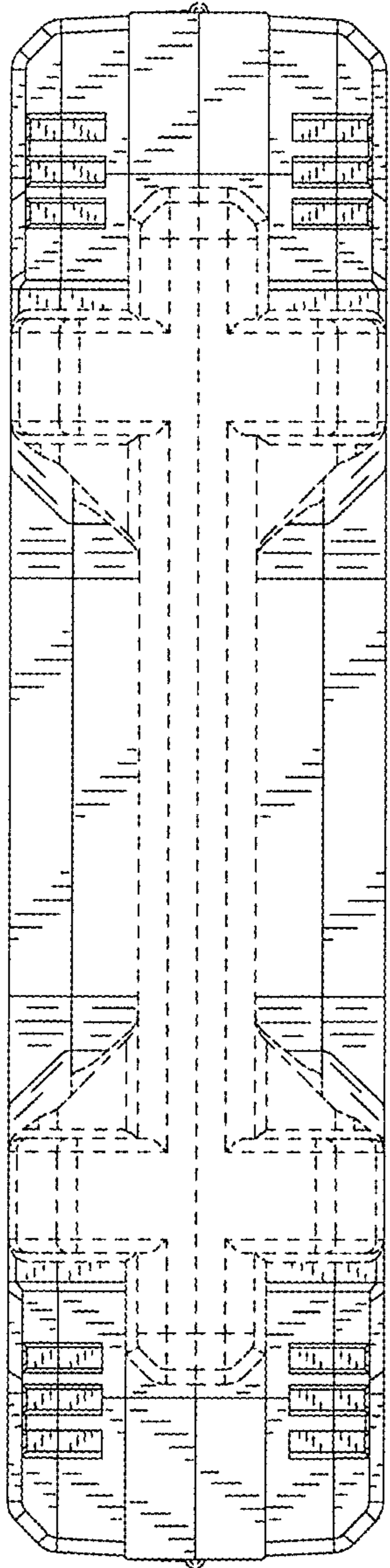


FIG. 6

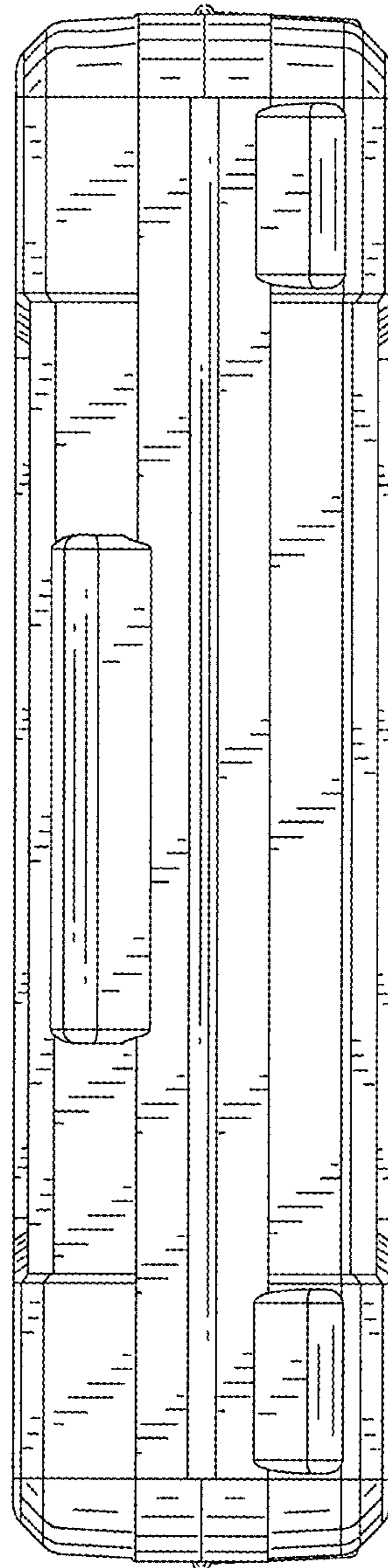


FIG. 7

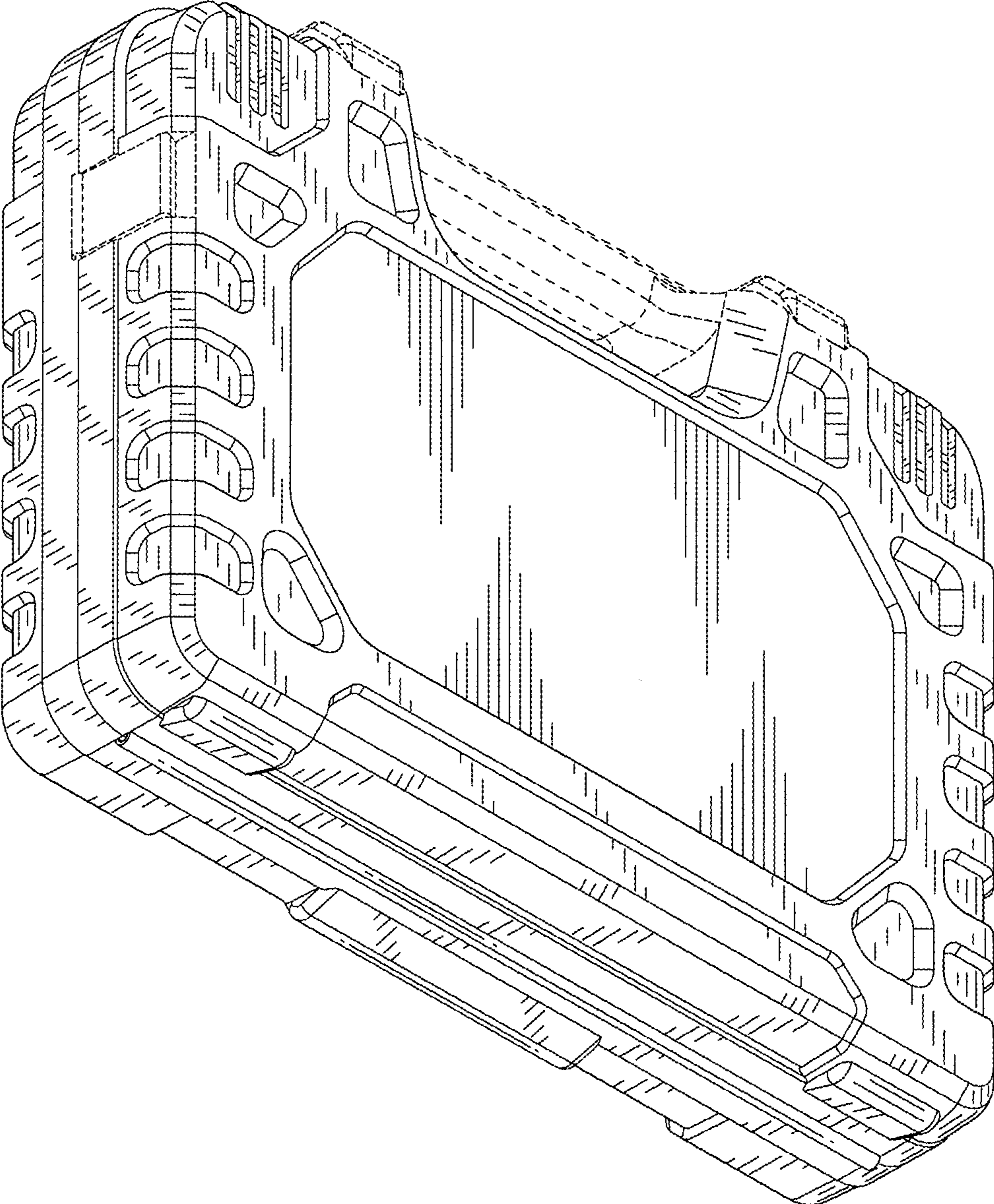


FIG. 8