



US00D785936S

(12) **United States Design Patent**
Uche

(10) **Patent No.:** **US D785,936 S**

(45) **Date of Patent:** **** May 9, 2017**

- (54) **EYEGLASS PROTECTIVE CASE**
- (71) Applicant: **Amadi Uche**, Rowlett, TX (US)
- (72) Inventor: **Amadi Uche**, Rowlett, TX (US)
- (**) Term: **15 Years**

D498,920 S *	11/2004	Ambrose	D3/219
D509,356 S *	9/2005	Kushner	D3/219
D621,154 S *	8/2010	Lown	D3/263
2010/0012536 A1 *	1/2010	Winsche	A45C 11/38 206/316.2

* cited by examiner

Primary Examiner — Mary Ann Calabrese
Assistant Examiner — Sloan Rozin
 (74) *Attorney, Agent, or Firm* — Law Office of Jeff Williams; J. Oliver Williams

- (21) Appl. No.: **29/529,879**
- (22) Filed: **Jun. 11, 2015**
- (51) **LOC (10) Cl.** **03-01**
- (52) **U.S. Cl.**
USPC **D3/266**
- (58) **Field of Classification Search**
USPC D3/204, 219, 252, 263–267, 271.9, 904
CPC A45C 11/04; A45C 11/005; A45C 11/38;
A45C 11/06; A45C 2011/001; G02C
3/04; A47F 7/021; G09F 2003/0254;
G09F 2003/0255; G09F 2003/0257; G09F
3/005; G09F 3/0341
See application file for complete search history.

(57) **CLAIM**

The ornamental design for an eyeglass protective case, as shown.

DESCRIPTION

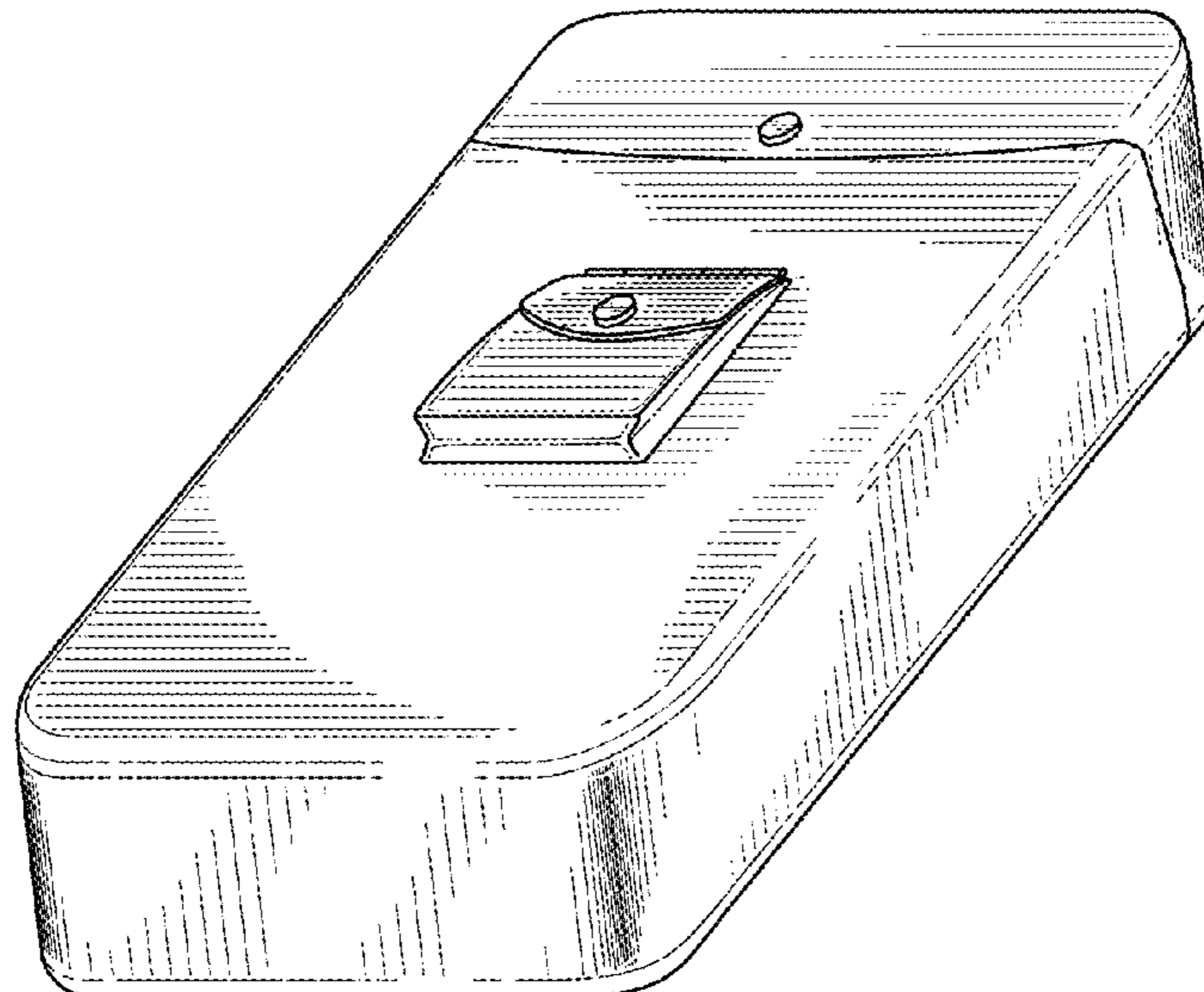
FIG. 1 is a perspective view of an eyeglass protective case according to the present application.
 FIG. 2 is a front view of the eyeglass protective case of FIG. 1.
 FIG. 3 is a back view of the eyeglass protective case of FIG. 1.
 FIG. 4 is a left view of the eyeglass protective case of FIG. 1.
 FIG. 5 is a right view of the eyeglass protective case of FIG. 1.
 FIG. 6 is a top view of the eyeglass protective case of FIG. 1; and,
 FIG. 7 is a bottom view of the eyeglass protective case of FIG. 1.
 The broken lines are included for the purpose of illustrating environmental structure and form no part of the claimed design.

(56) **References Cited**

U.S. PATENT DOCUMENTS

645,814 A *	3/1900	Johnson	A45F 5/022 24/10 R
D137,718 S *	4/1944	Sherbondy	D19/77
2,479,472 A *	8/1949	Coplon	A45C 11/04 150/145
D253,196 S *	10/1979	Harrie	D3/226
D266,205 S *	9/1982	Berman	224/240
D310,299 S *	9/1990	Ito	D3/219
D366,758 S *	2/1996	Weiler	D3/219
D368,366 S *	4/1996	Cedarberg, III	D3/219
6,199,218 B1 *	3/2001	Michael	A45C 11/04 2/247
D453,071 S *	1/2002	Chen	D3/263
D495,134 S *	8/2004	Geert-Jensen	D3/227

1 Claim, 3 Drawing Sheets



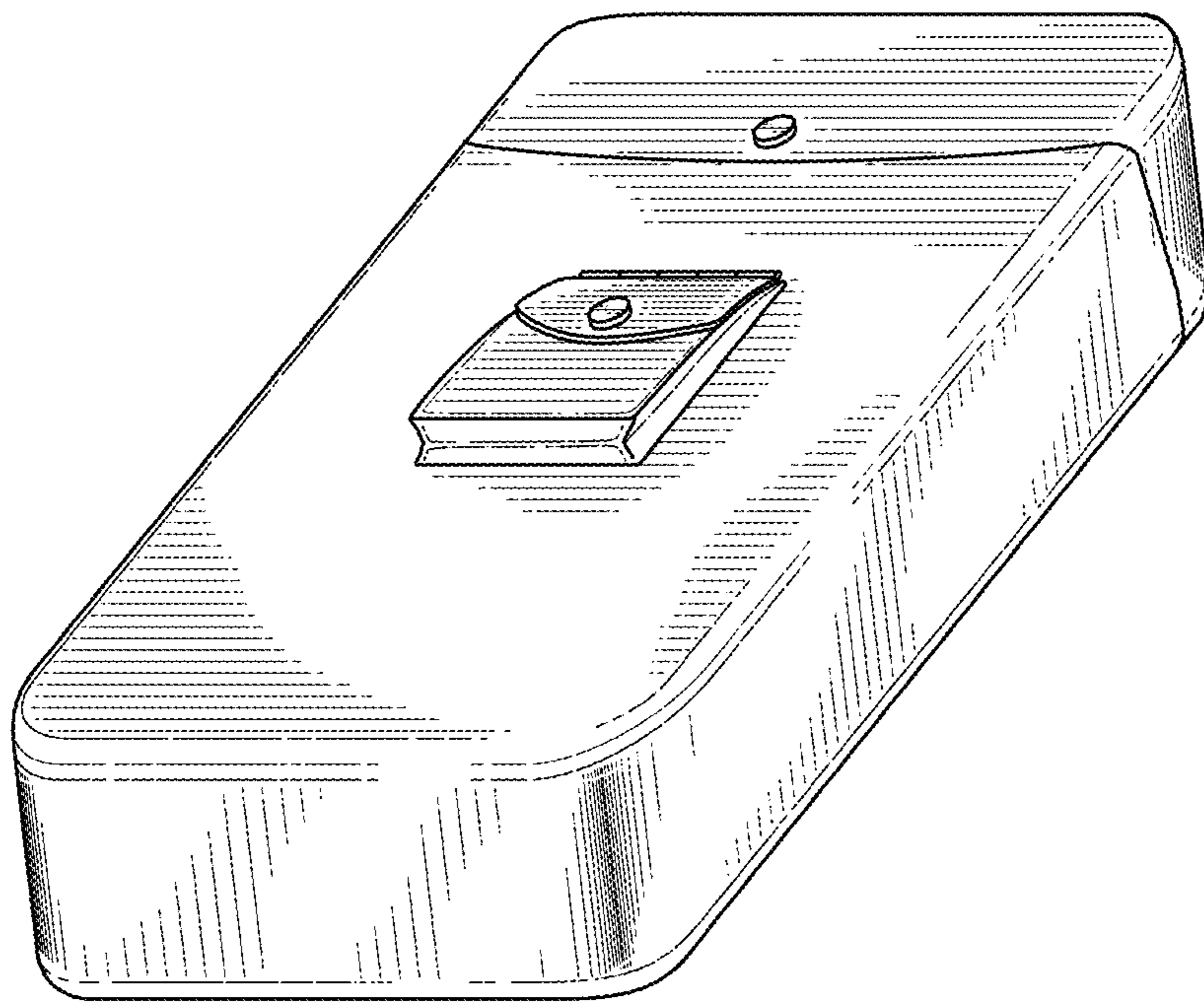


FIG. 1

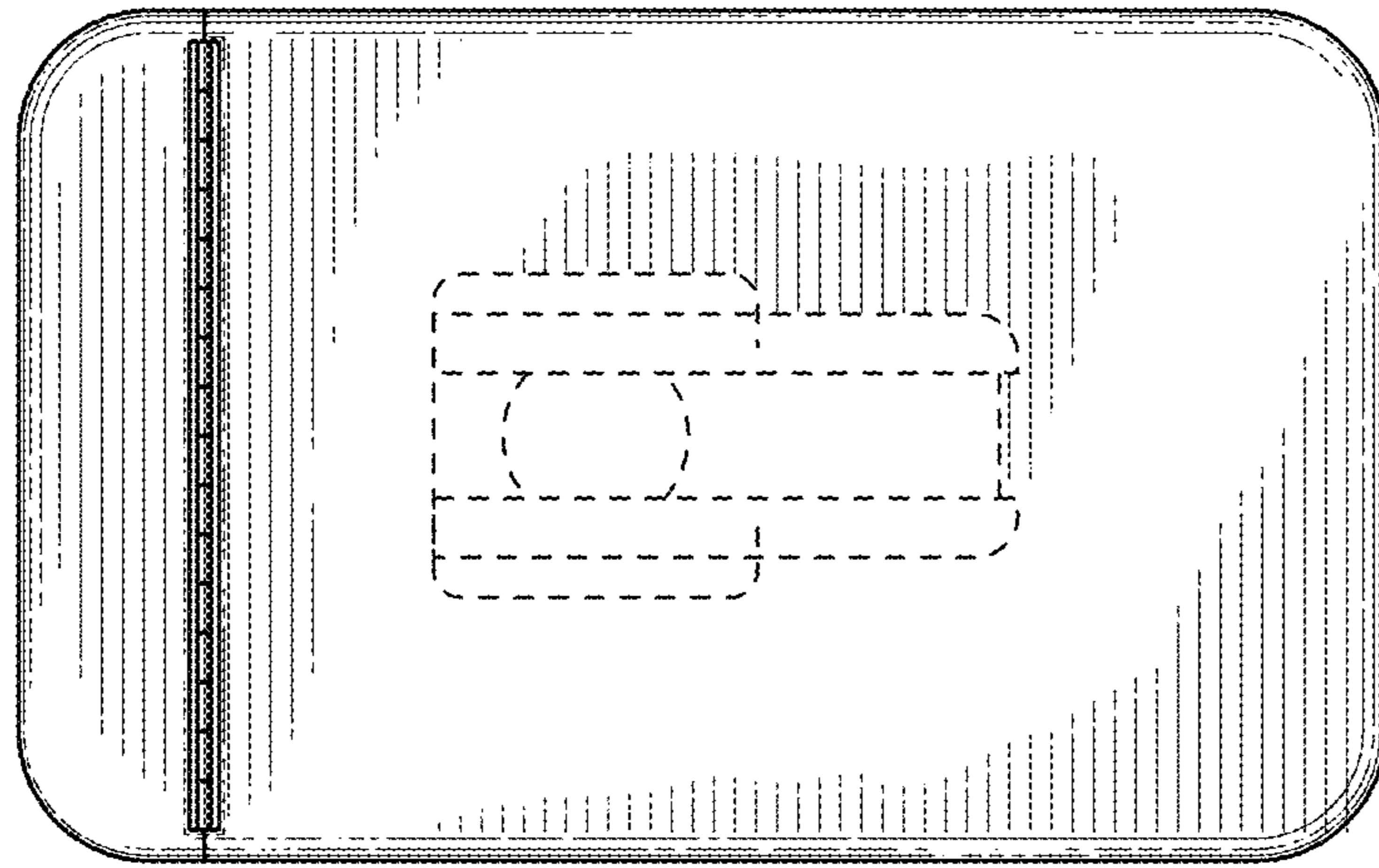


FIG. 3

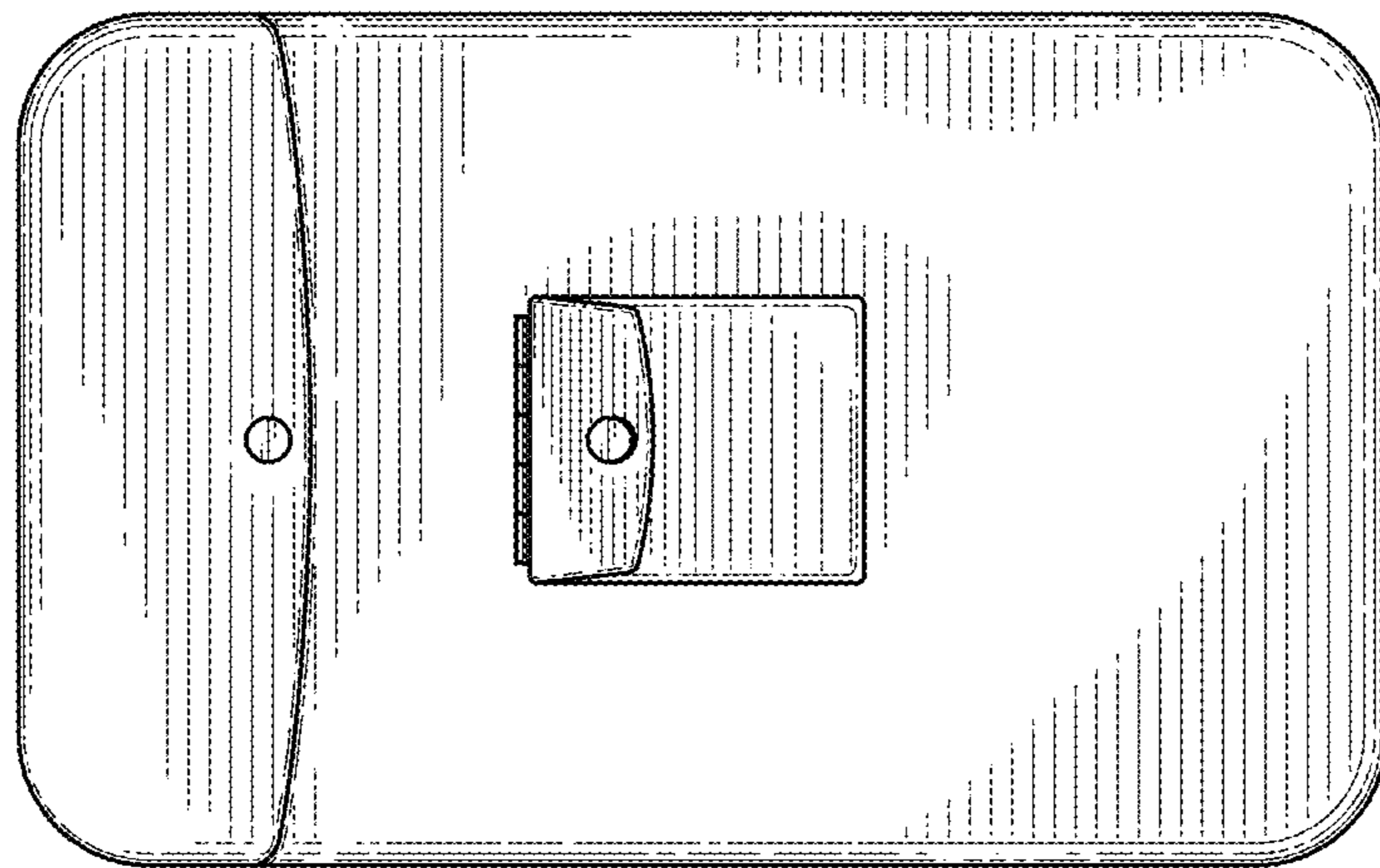


FIG. 2

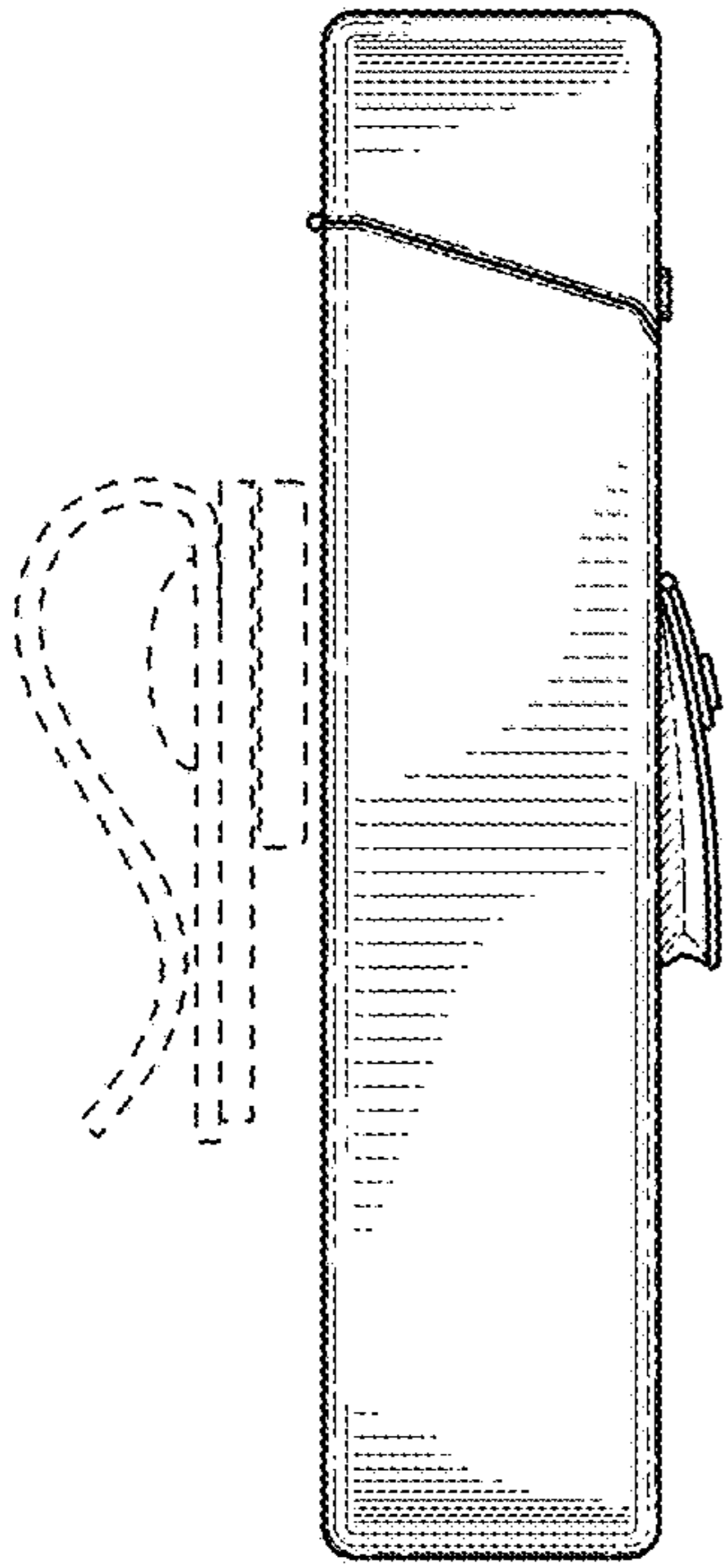


FIG. 4

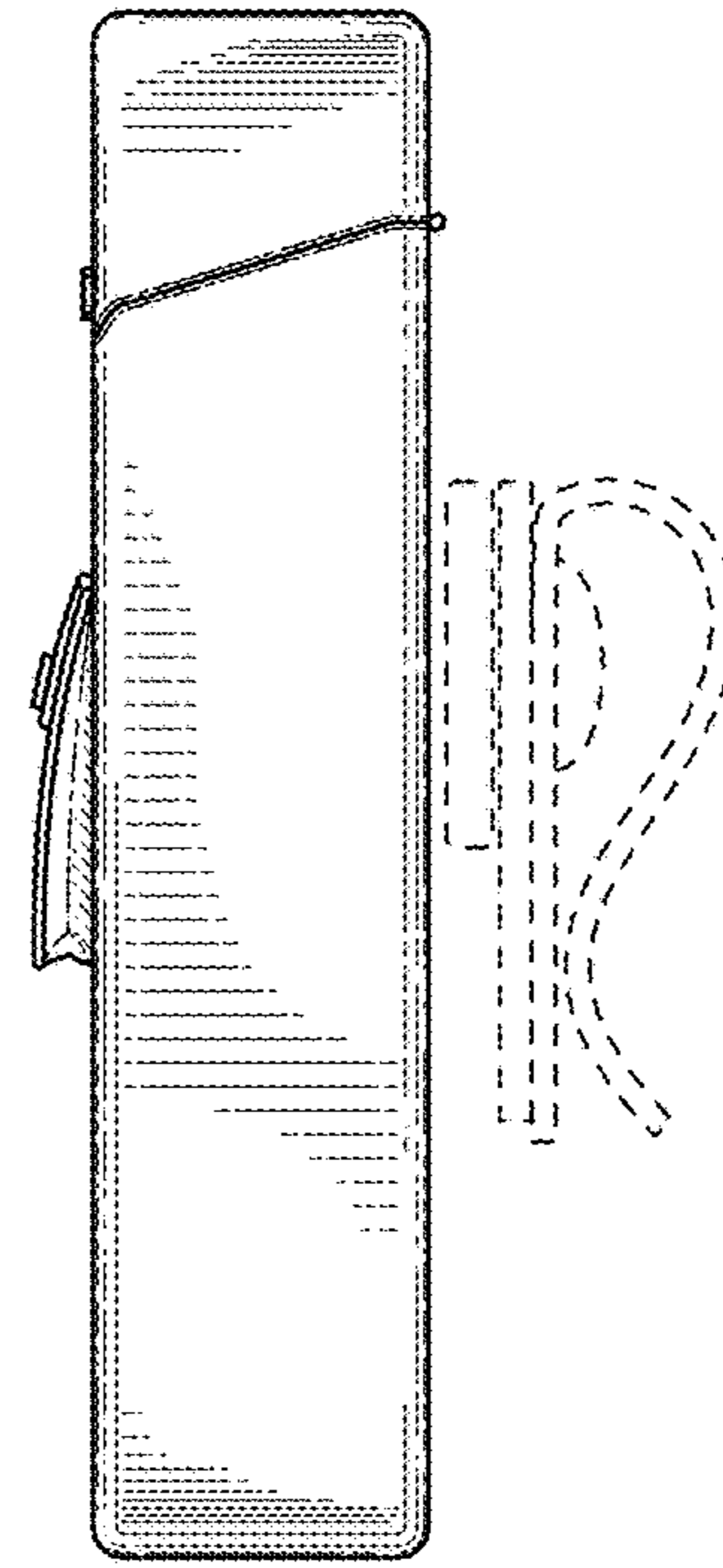


FIG. 5

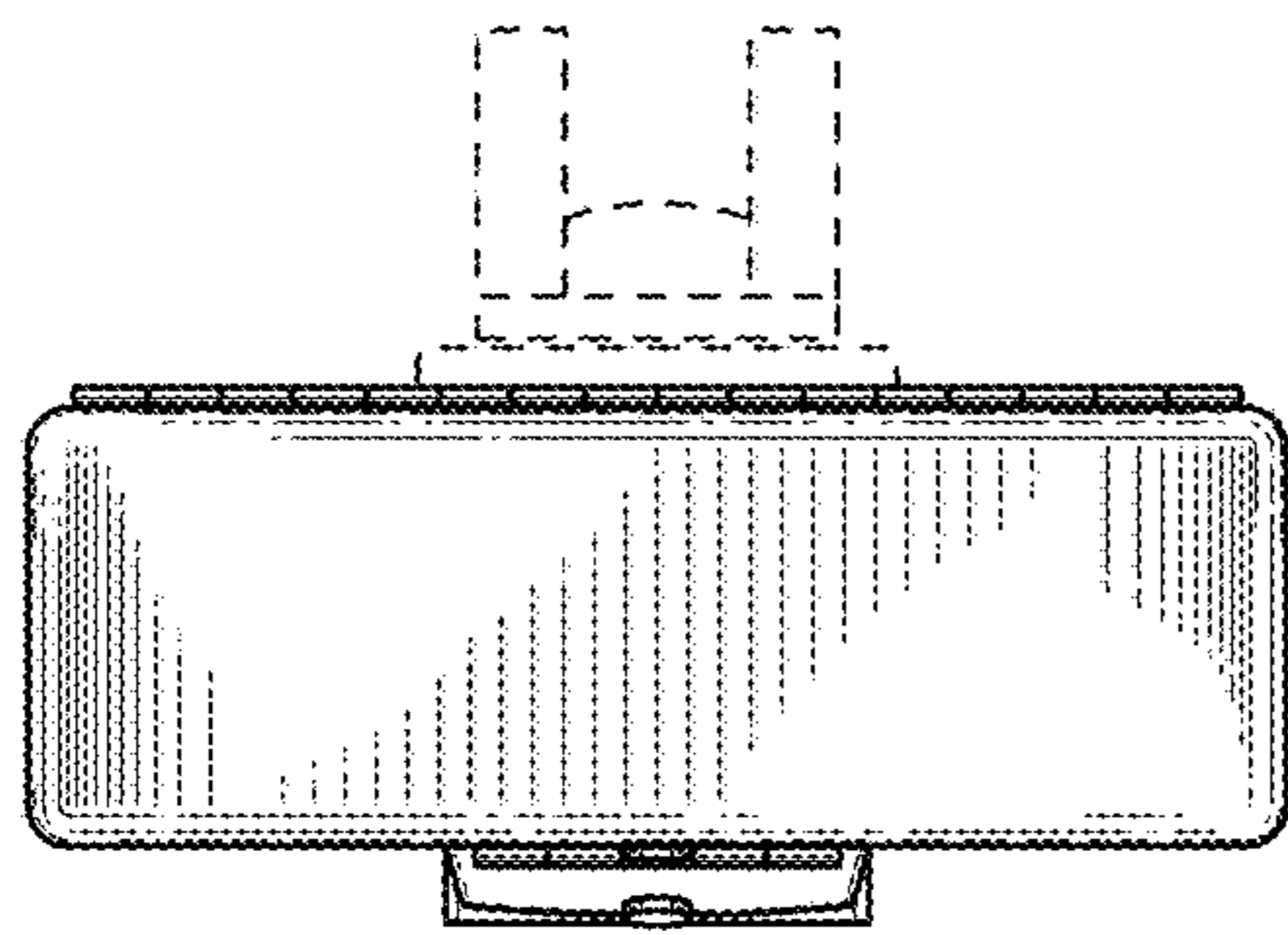


FIG. 6

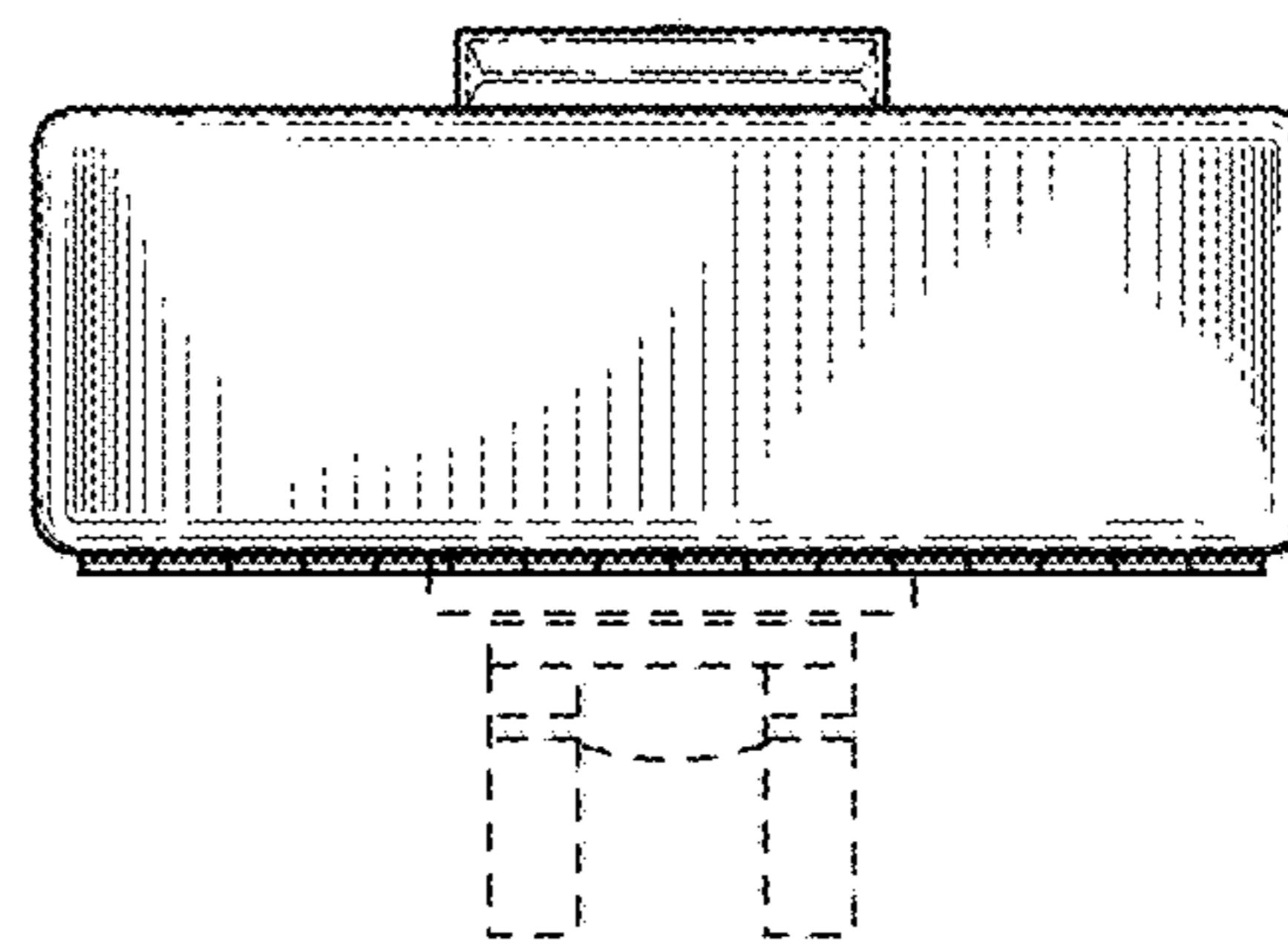


FIG. 7