



US00D785933S

(12) **United States Design Patent**  
**Louboutin**

(10) **Patent No.:** **US D785,933 S**

(45) **Date of Patent:** **\*\* May 9, 2017**

(54) **HANDBAG**

(71) Applicant: **Christian Louboutin**, Paris (FR)

(72) Inventor: **Christian Louboutin**, Paris (FR)

(\*\*) Term: **15 Years**

(21) Appl. No.: **29/554,857**

(22) Filed: **Feb. 16, 2016**

(30) **Foreign Application Priority Data**

Sep. 3, 2015 (EM) ..... 002765578

(51) **LOC (10) Cl.** ..... **03-01**

(52) **U.S. Cl.**  
USPC ..... **D3/243**

(58) **Field of Classification Search**  
USPC ..... D3/232-233, 240-243, 245-246  
CPC ..... A45C 1/024; A45C 3/06  
See application file for complete search history.

(56) **References Cited**

**U.S. PATENT DOCUMENTS**

D131,189 S \* 1/1942 Lewis ..... D3/240  
D730,644 S \* 6/2015 Basha ..... D3/243

**OTHER PUBLICATIONS**

Christian Louboutin, *Pigalle Clutch*. Spring/ Summer 2011. Admitted prior art.

\* cited by examiner

*Primary Examiner* — Holly Baynham

(74) *Attorney, Agent, or Firm* — Fross Zelnick Lehrman & Zissu P.C.; Charles T. J. Weigell Esq.; Lawrence E. Apolzon Esq.

(57) **CLAIM**

The ornamental design for a handbag, as shown and described.

**DESCRIPTION**

FIG. 1 is a front perspective view of a handbag showing my new design;

FIG. 2 is a front view of the handbag shown in FIG. 1;

FIG. 3 is a rear view of the handbag shown in FIG. 1;

FIG. 4 is a side view of the handbag shown in FIG. 1;

FIG. 5 is the other side view of the handbag shown in FIG. 1;

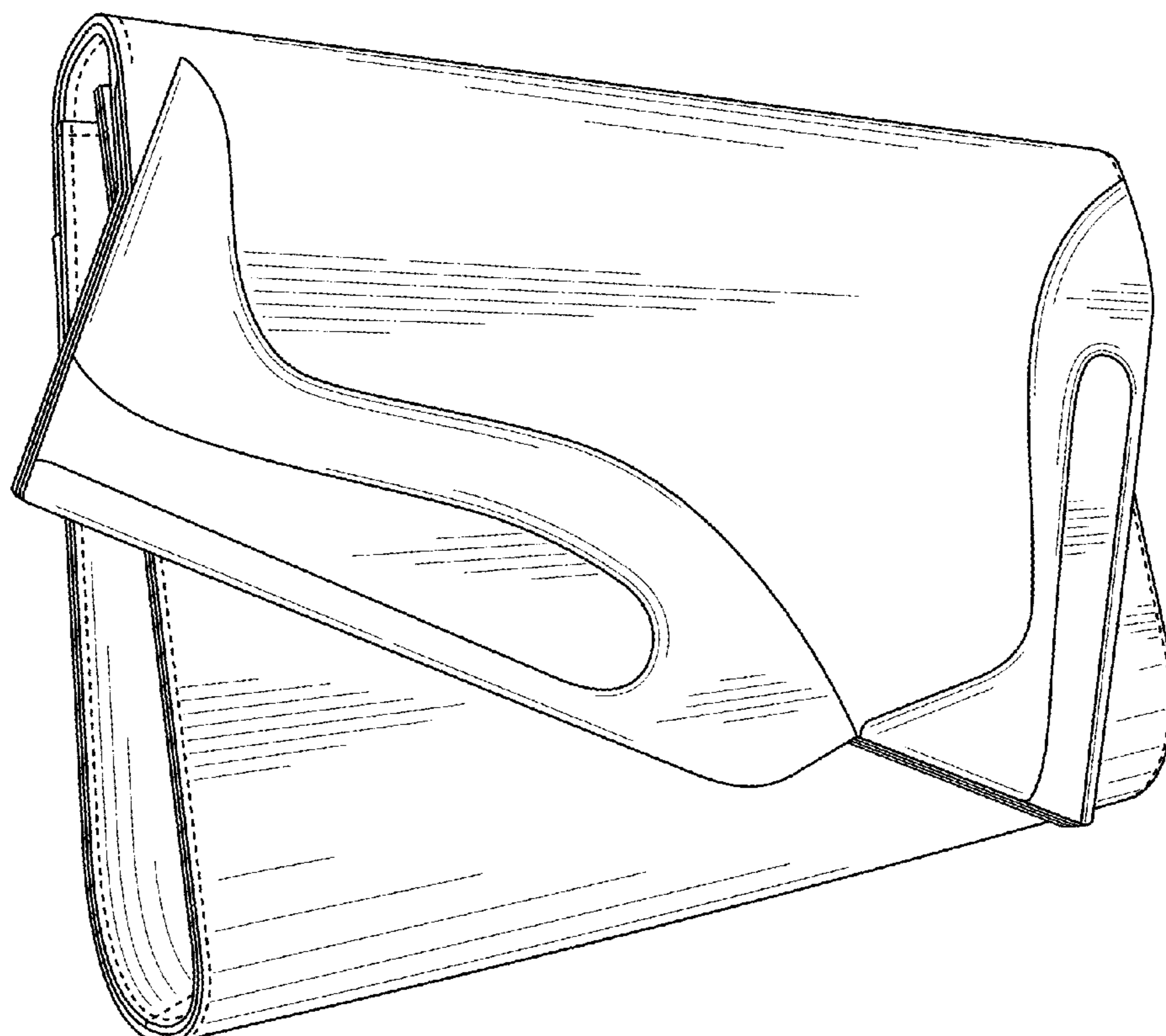
FIG. 6 is a top view of the handbag shown in FIG. 1;

FIG. 7 is a bottom view of the handbag shown in FIG. 1; and,

FIG. 8 is a side perspective view of the handbag shown in FIG. 1.

The broken lines showing stitching are part of the claimed design.

**1 Claim, 4 Drawing Sheets**



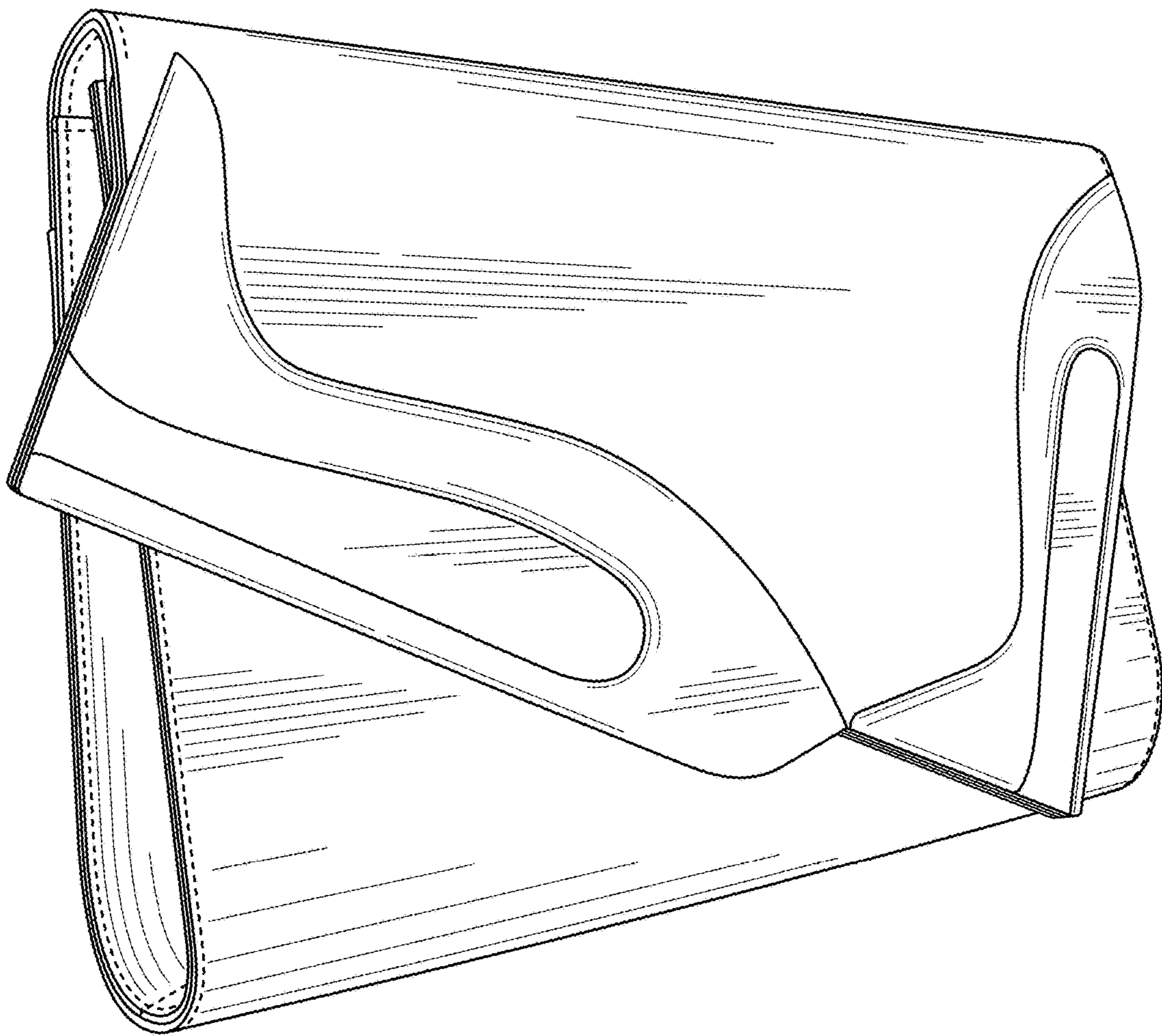


FIG. 1

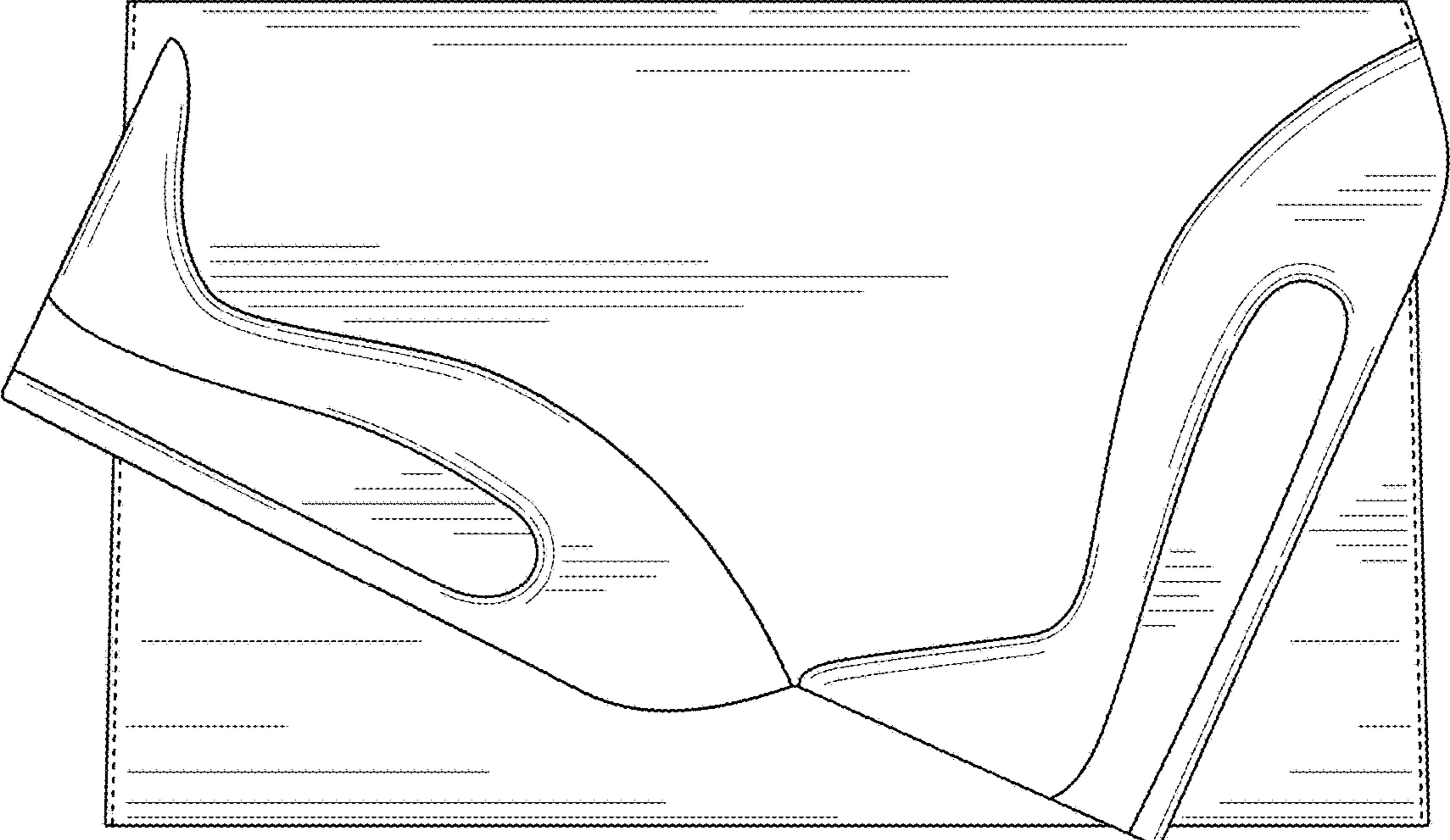


FIG. 2

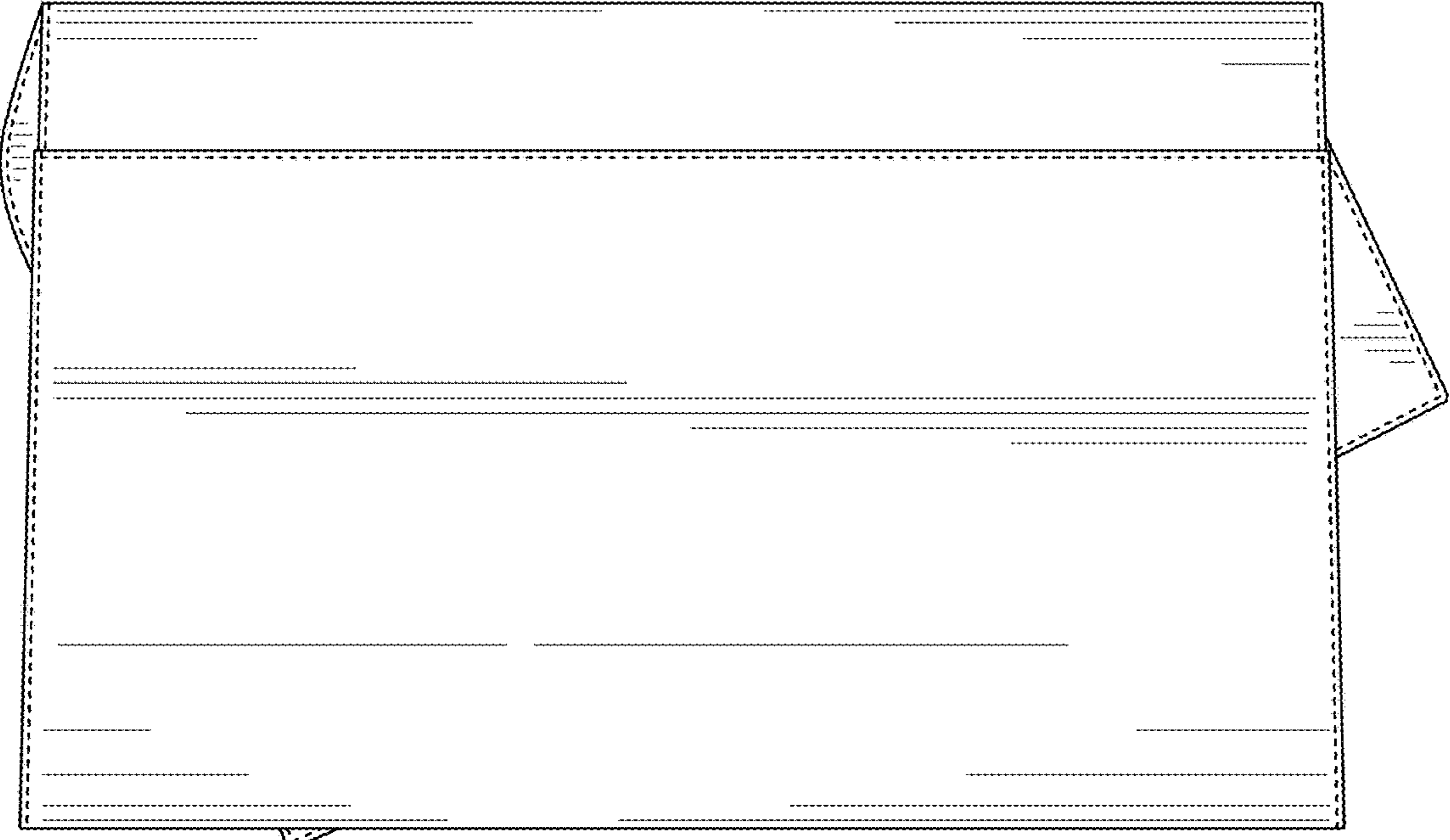


FIG. 3



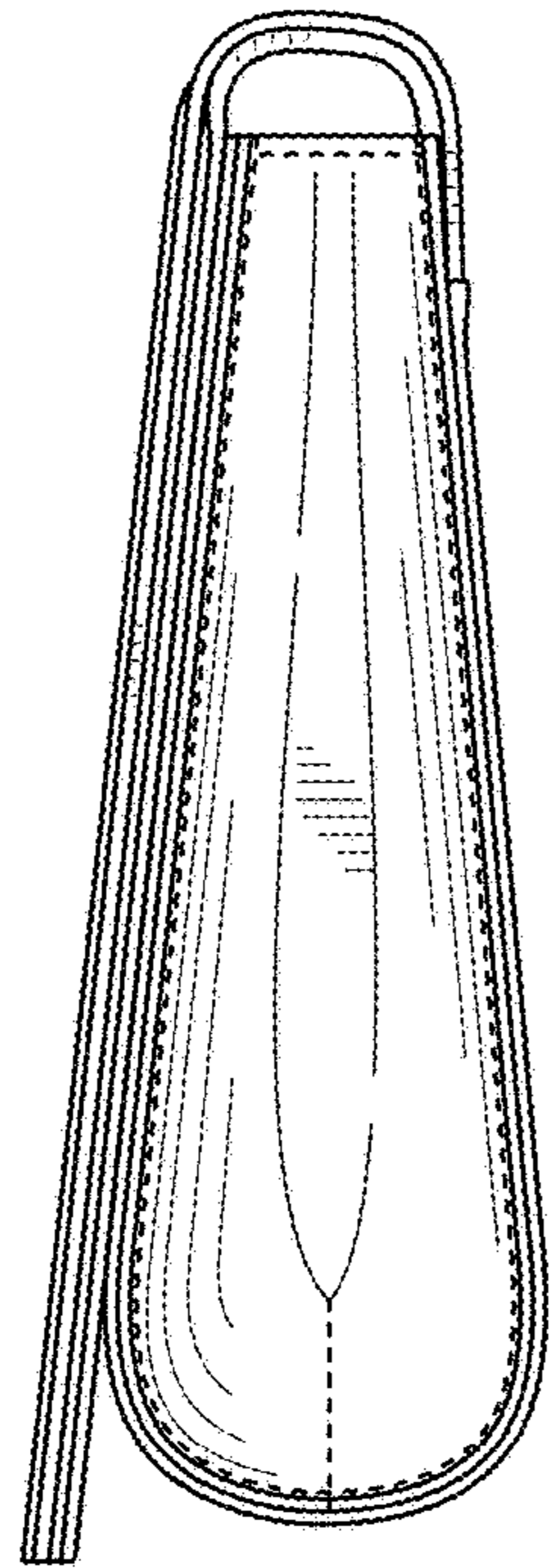


FIG. 4

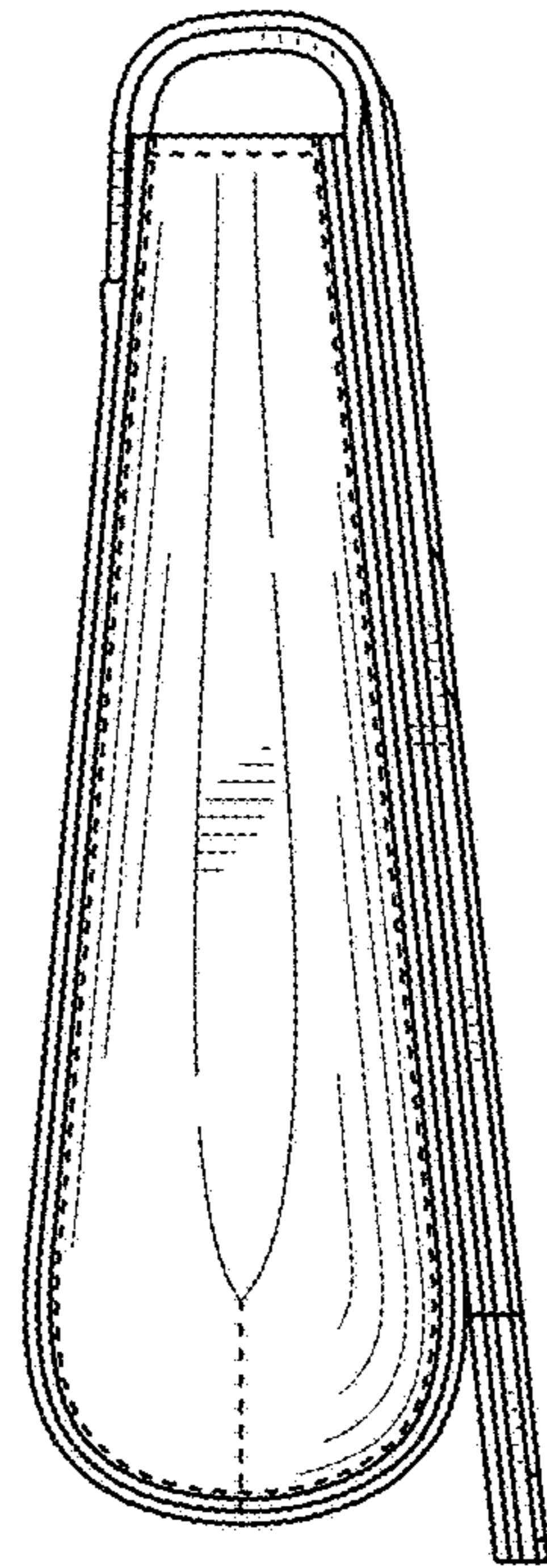


FIG. 5

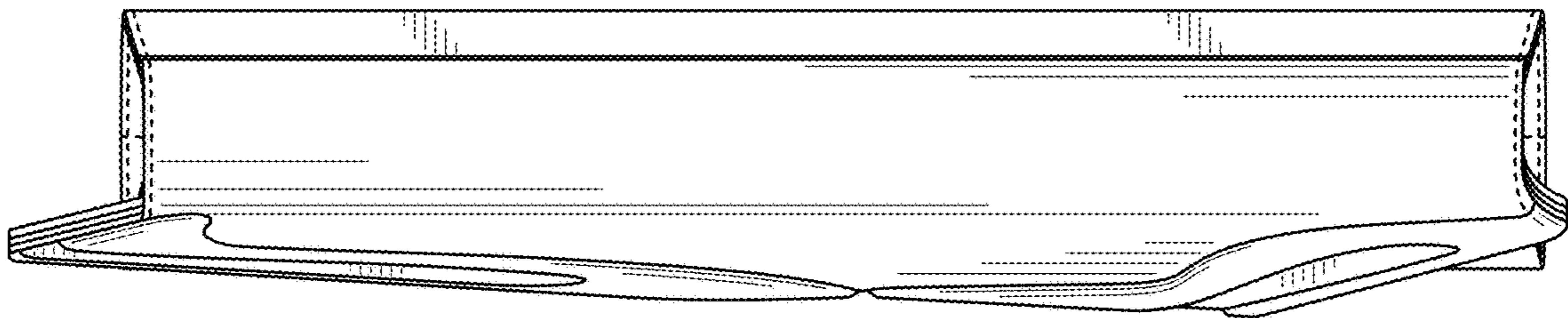


FIG. 6

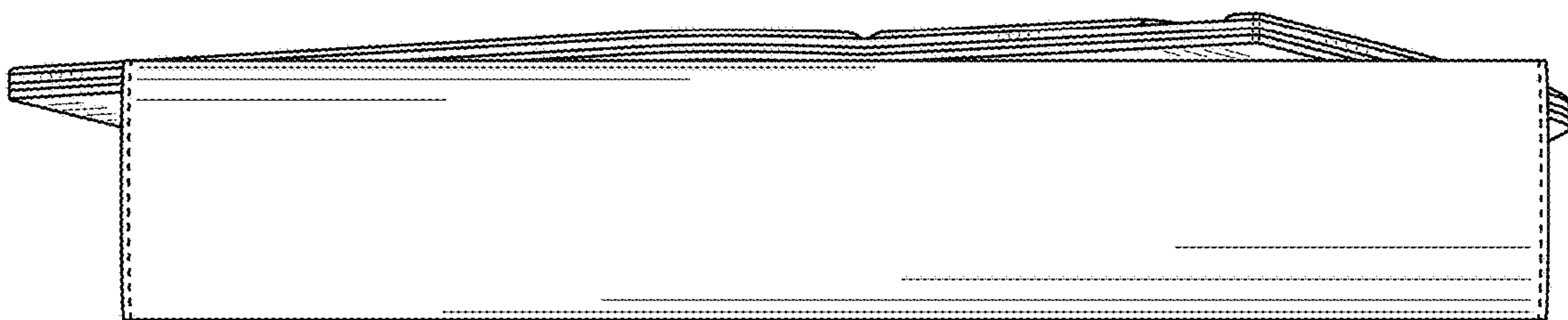


FIG. 7

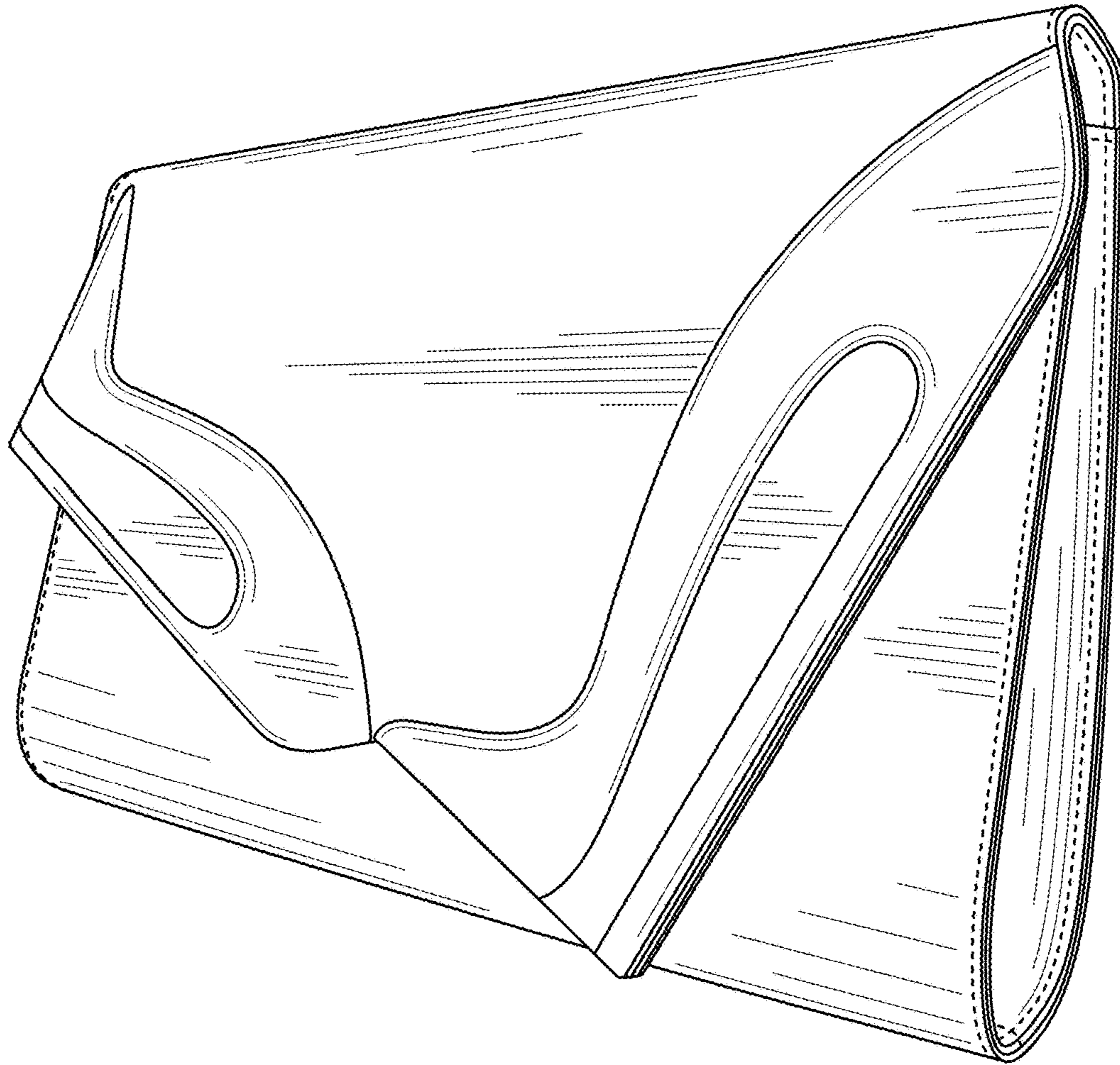


FIG. 8