



US00D785927S

(12) **United States Design Patent**  
**Habraken**

(10) **Patent No.:** **US D785,927 S**

(45) **Date of Patent:** **\*\* May 9, 2017**

(54) **TURNTABLE LED KEYCHAIN**

(71) Applicant: **Kikkerland Design, Inc.**, New York, NY (US)

(72) Inventor: **Jan Habraken**, New York, NY (US)

(73) Assignee: **Kikkerland Design, Inc.**, New York, NY (US)

(\*\*) Term: **15 Years**

(21) Appl. No.: **29/563,935**

(22) Filed: **May 9, 2016**

(51) **LOC (10) Cl.** ..... **03-01**

(52) **U.S. Cl.**  
USPC ..... **D3/211**

(58) **Field of Classification Search**  
USPC ..... D11/1-2, 14, 26-29, 89-92, 44, 48, 81, D11/99, 79; 63/26-28, 32; D3/207-212; D8/16, 38, 347, 348; 70/456 B, 457, 458, 70/456 R; 206/37.1, 37; D14/434, 435, D14/435.1, 436, 439, 480.3, 480.1, 480.5, D14/480.7, 199, 496, 498, 501; D24/174, D24/173, 480.3

CPC ..... A45C 11/32; A47G 29/10  
See application file for complete search history.

(56) **References Cited**

U.S. PATENT DOCUMENTS

D209,711 S \* 12/1967 Levin ..... D14/199  
D450,182 S \* 11/2001 Truisi ..... D3/211  
D456,986 S \* 5/2002 Truisi ..... D3/208  
D636,595 S \* 4/2011 van der Lande ..... D3/211

\* cited by examiner

*Primary Examiner* — Ralf Seifert

(74) *Attorney, Agent, or Firm* — Charles H Jew

(57) **CLAIM**

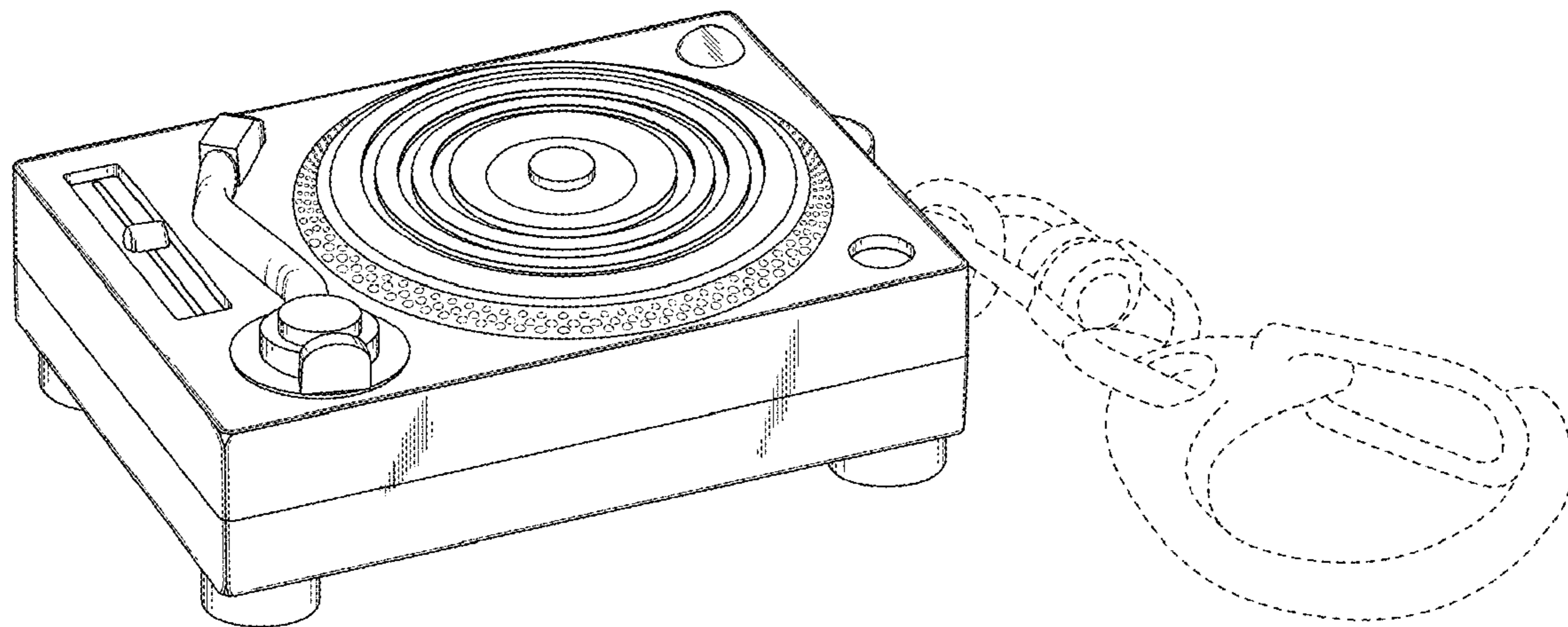
The ornamental design for a turntable LED keychain, as shown and described.

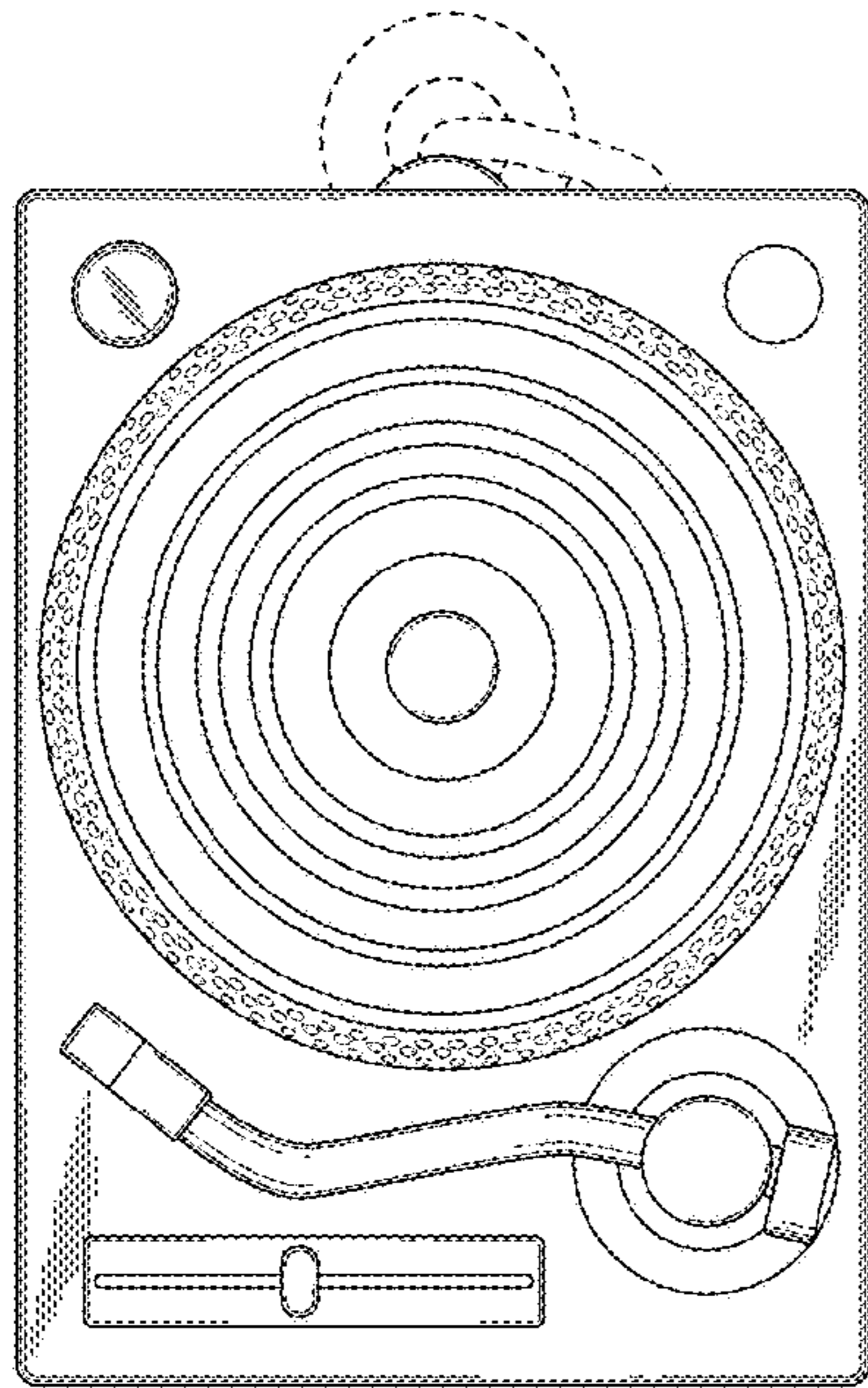
**DESCRIPTION**

FIG. 1 is a front elevational view of the turntable LED keychain showing my design;  
FIG. 2 is a rear elevational view thereof;  
FIG. 3 is a right side elevational view thereof;  
FIG. 4 is a left side elevational view thereof;  
FIG. 5 is a top plan view thereof;  
FIG. 6 is a bottom plan view thereof; and,  
FIG. 7 is a front perspective thereof.

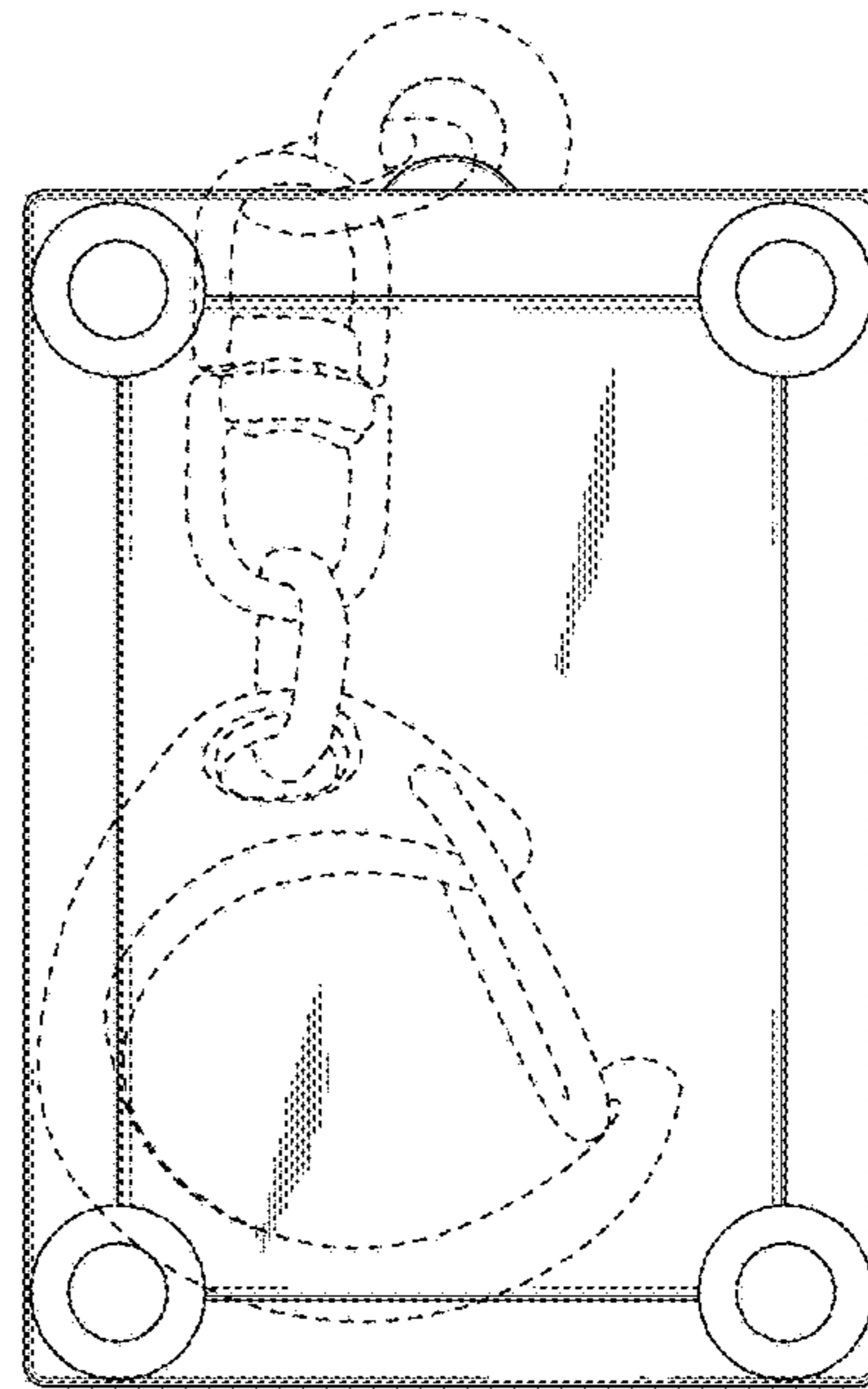
The broken lines in the Figures showing the chain are for illustration purposes only and form no part of the claimed design.

**1 Claim, 2 Drawing Sheets**

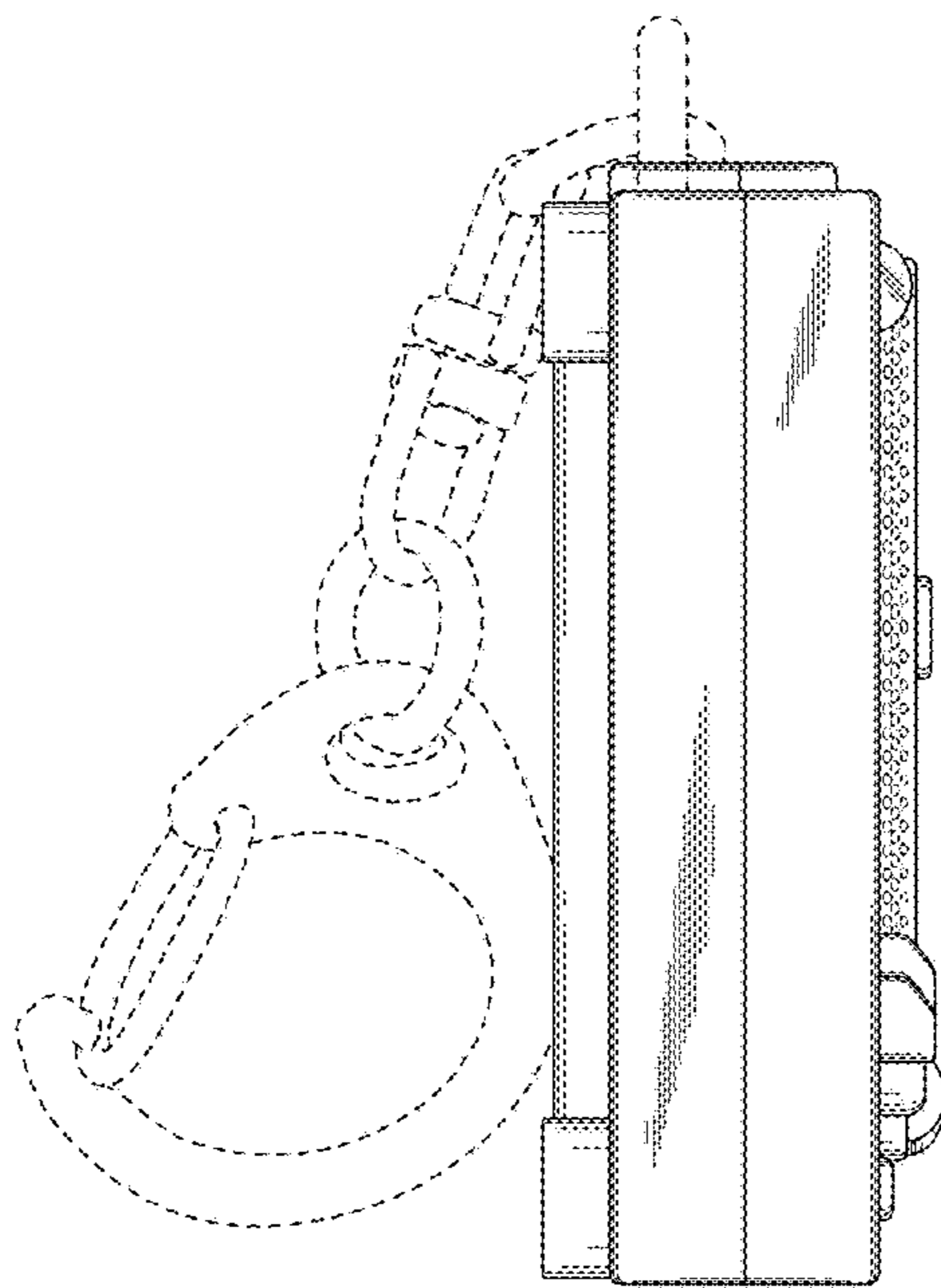




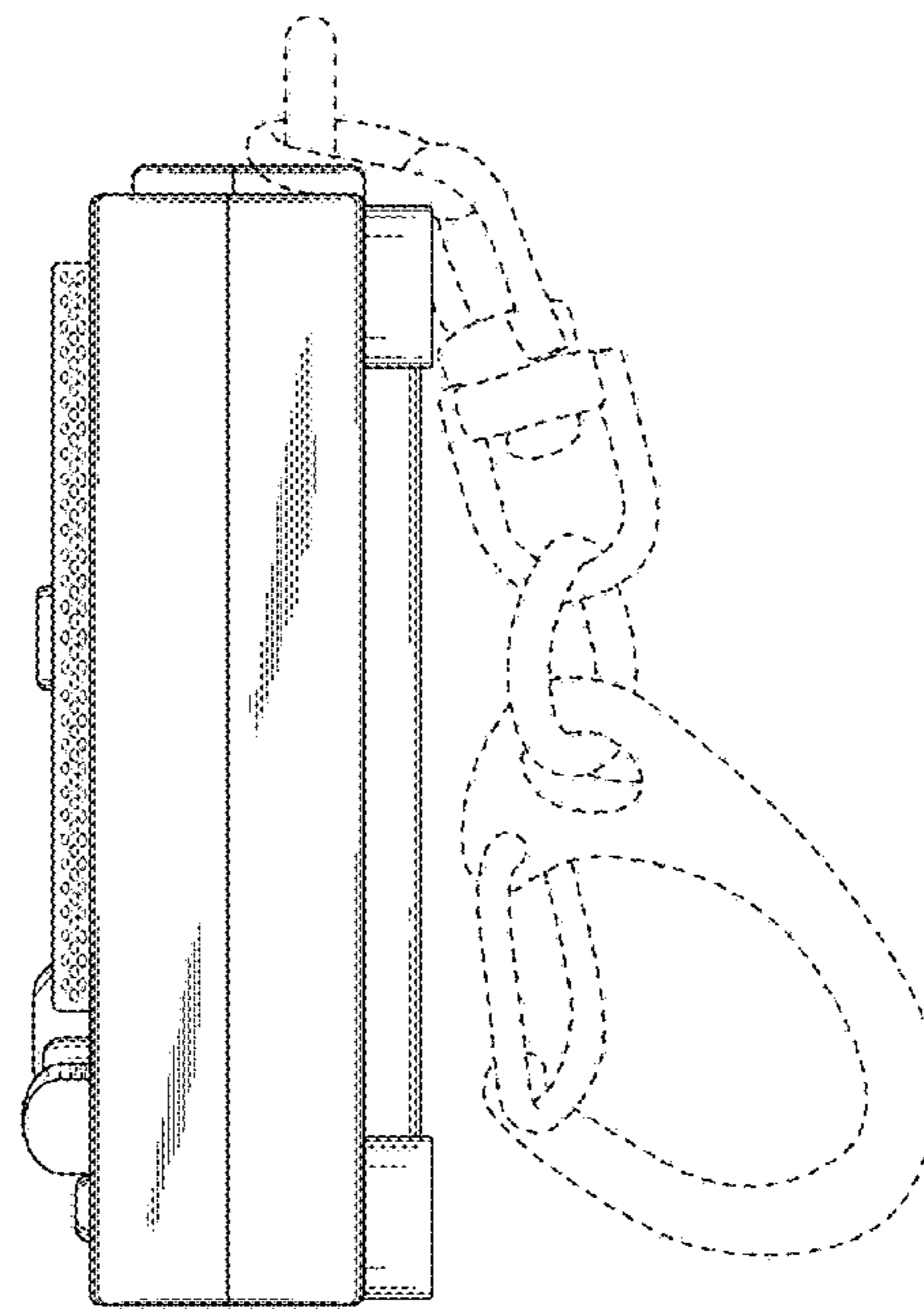
**FIG. 1**



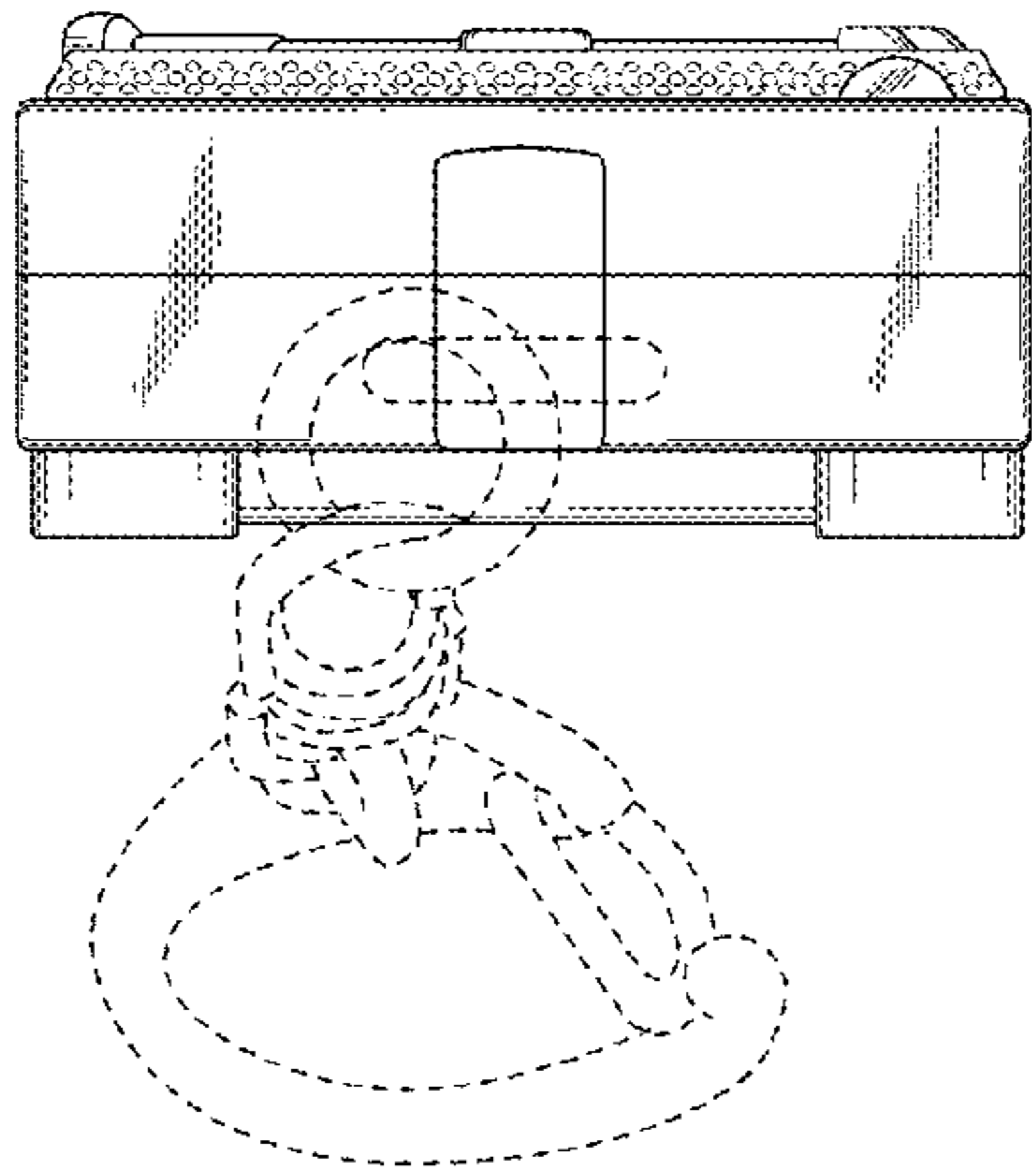
**FIG. 2**



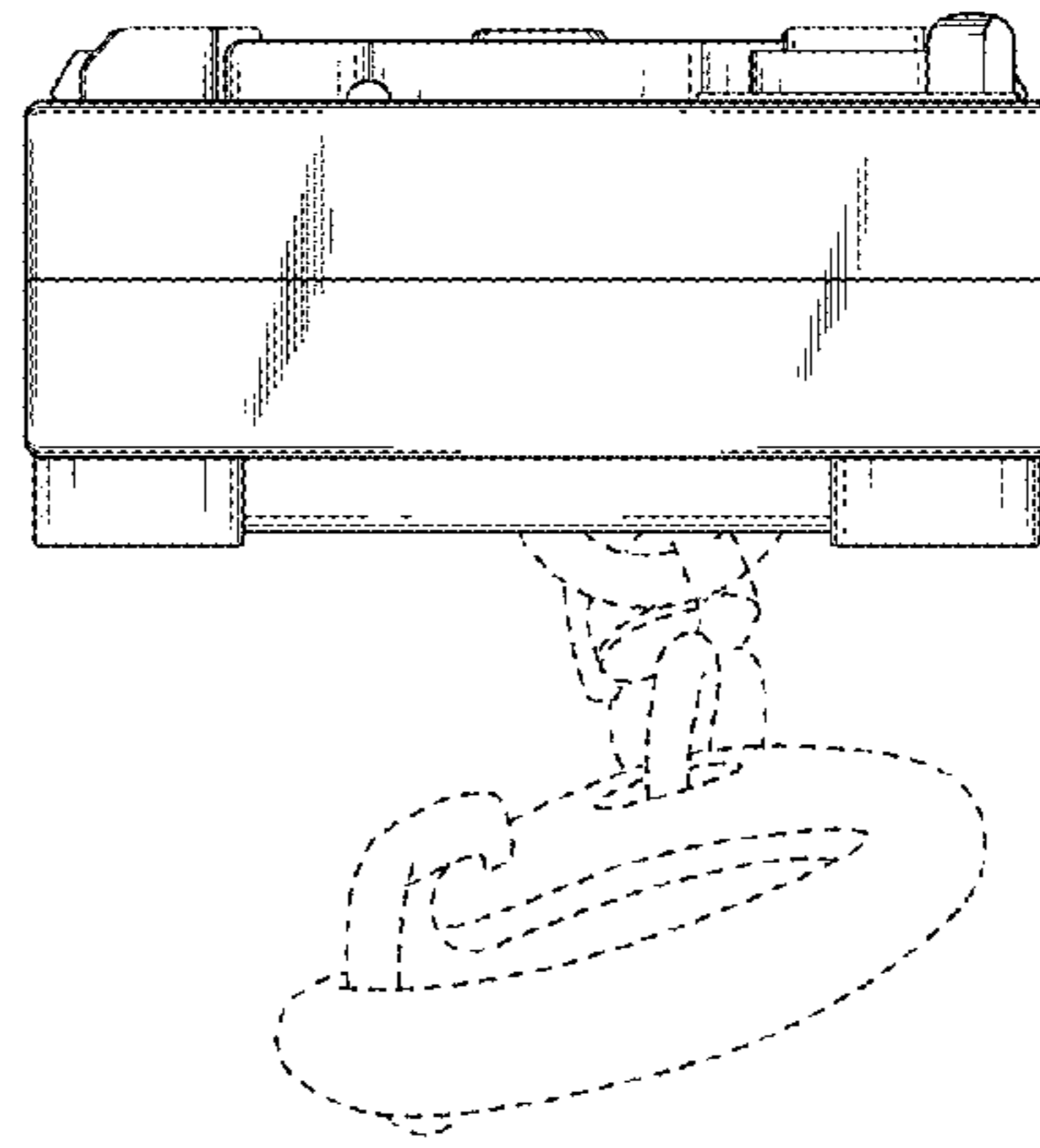
**FIG. 3**



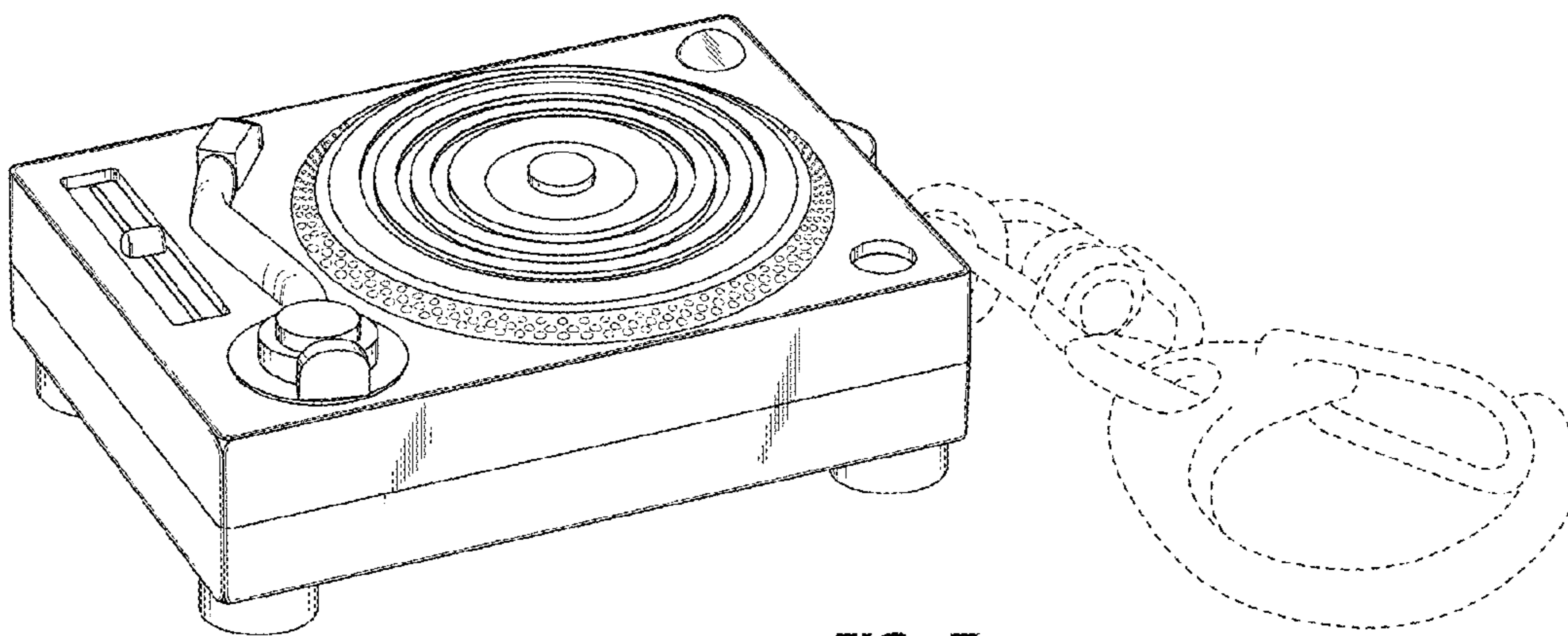
**FIG. 4**



**FIG. 5**



**FIG. 6**



**FIG. 7**